



US00D697356S

(12) **United States Design Patent**  
**Choi**

(10) **Patent No.:** **US D697,356 S**  
(45) **Date of Patent:** **\*\* Jan. 14, 2014**

(54) **WATER PURIFIER WITH BUILT-IN COFFEE MACHINE**

D318,973 S \* 8/1991 Hasslacher ..... D7/308  
D417,118 S \* 11/1999 Pomeroy ..... D7/306  
D645,289 S \* 9/2011 Lenzi ..... D7/309  
D682,599 S \* 5/2013 Bolzicco et al. .... D7/309

(71) Applicant: **Coway Co., Ltd.**, Gongju-si (KR)

\* cited by examiner

(72) Inventor: **Hun Jung Choi**, Goyang-si (KR)

*Primary Examiner* — Marianne Pandozzi

(73) Assignee: **Coway Co., Ltd.** (KR)

(74) *Attorney, Agent, or Firm* — Blank Rome LLP

(\*\*) Term: **14 Years**

(57) **CLAIM**

(21) Appl. No.: **29/451,723**

I claim an ornamental design for a water purifier with built-in coffee machine, as shown and described.

(22) Filed: **Apr. 8, 2013**

**DESCRIPTION**

(30) **Foreign Application Priority Data**

Oct. 9, 2012 (KR) ..... 30-2012-0047959

(51) **LOC (10) Cl.** ..... **07-01**

(52) **U.S. Cl.**  
USPC ..... **D7/305; D7/311; D7/307; D7/308;**  
**D7/309; D23/207**

(58) **Field of Classification Search**  
USPC ..... **D7/306-311, 300, 305; 99/282, 279,**  
**99/280, 300, 305; 222/146.5, 129.1;**  
**D23/207, 209**  
See application file for complete search history.

FIG. 1 is a perspective view of a water purifier with built-in coffee machine of the present design;  
FIG. 2 is a front view of the water purifier with built-in coffee machine of FIG. 1;  
FIG. 3 is a rear view of the water purifier with built-in coffee machine of FIG. 1;  
FIG. 4 is a first side view of the water purifier with built-in coffee machine of FIG. 1;  
FIG. 5 is a second side view of the water purifier with built-in coffee machine of FIG. 1;  
FIG. 6 is a top view of the water purifier with built-in coffee machine of FIG. 1; and,  
FIG. 7 is a bottom view of the water purifier with built-in coffee machine of FIG. 1.

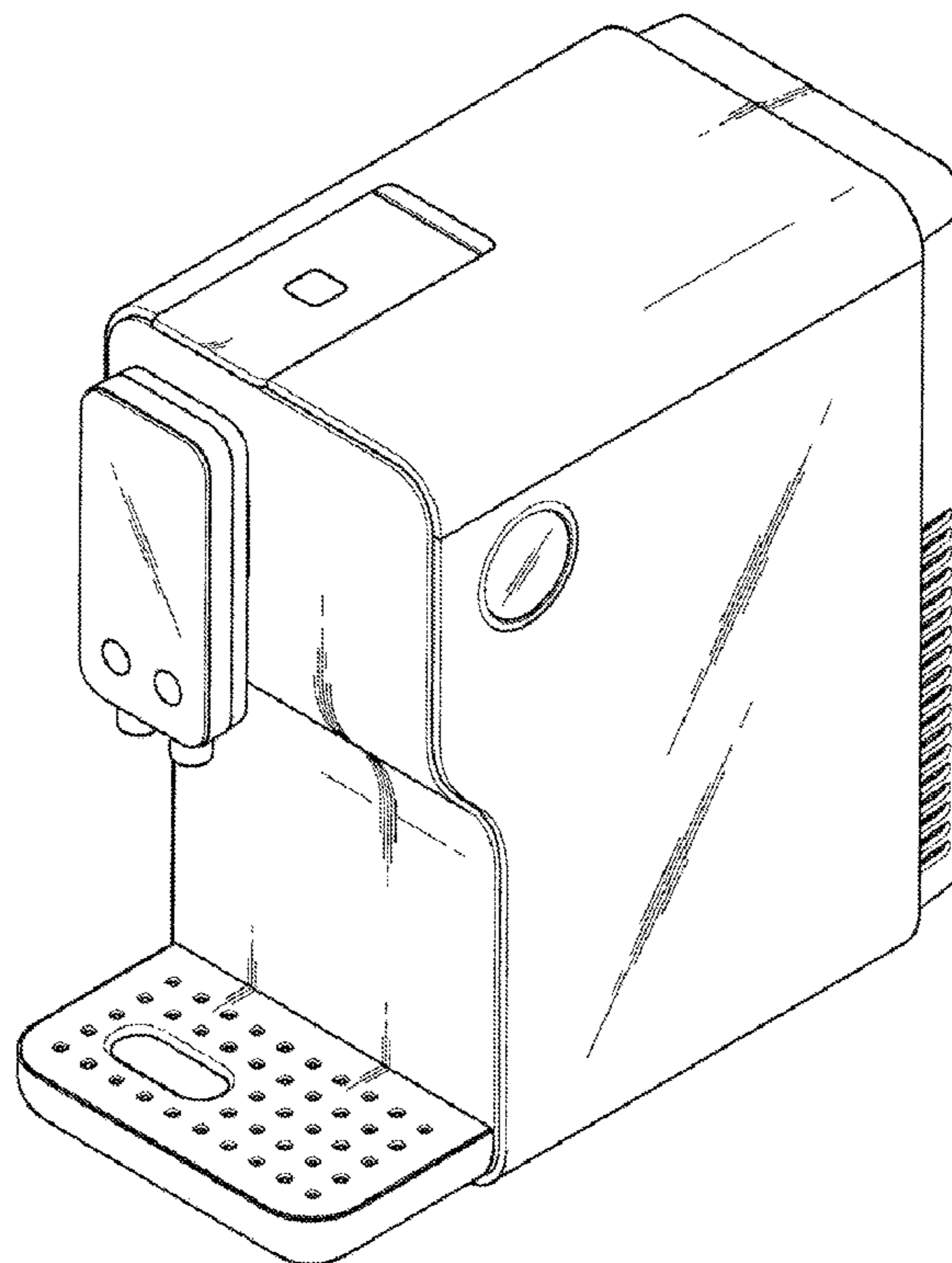
The shading in the figures show contour, not surface ornamentation, and form no part of the claimed design.

(56) **References Cited**

**U.S. PATENT DOCUMENTS**

D238,115 S \* 12/1975 Marotta ..... D7/309  
D288,886 S \* 3/1987 Oakley et al. .... D7/309

**1 Claim, 7 Drawing Sheets**



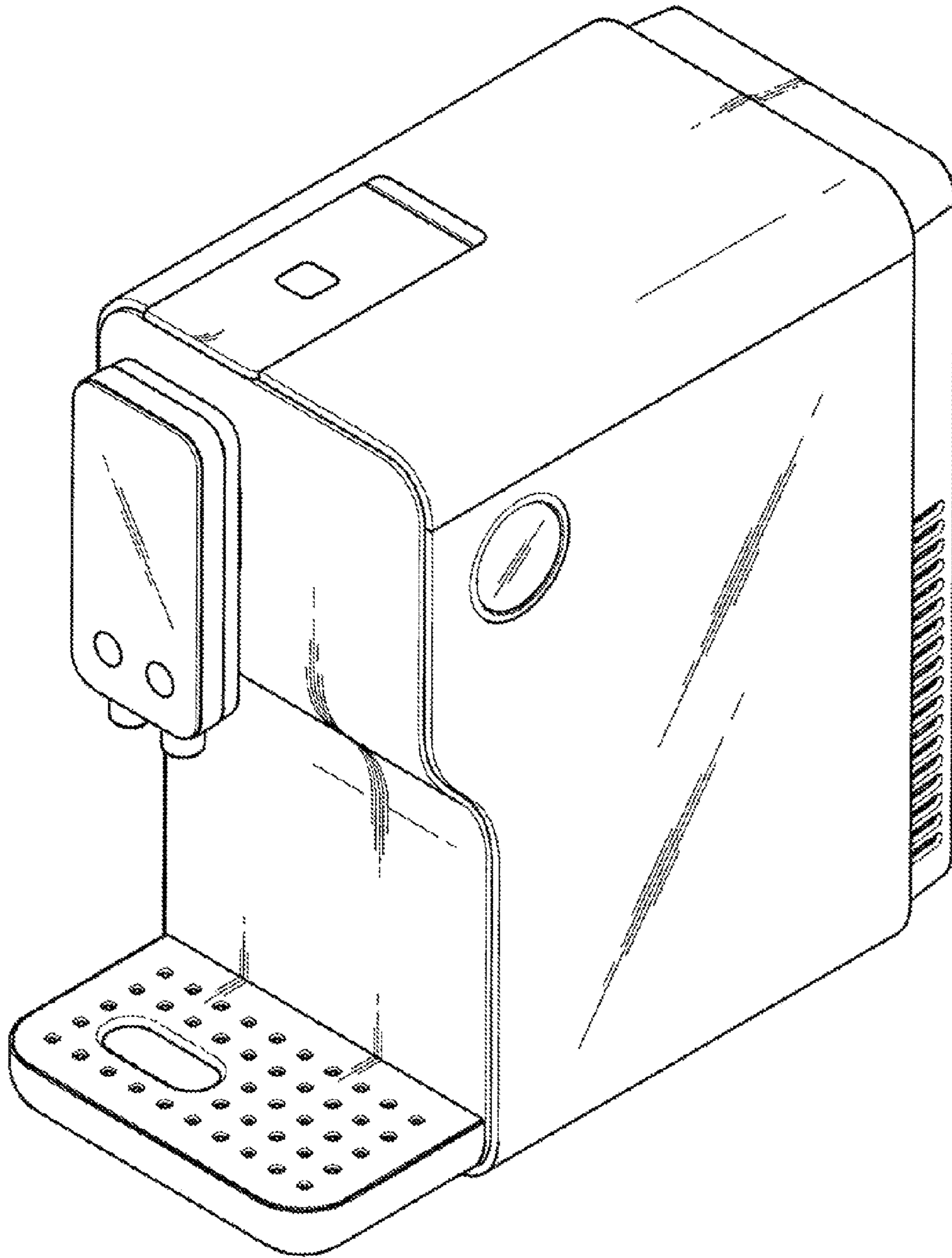


FIG. 1

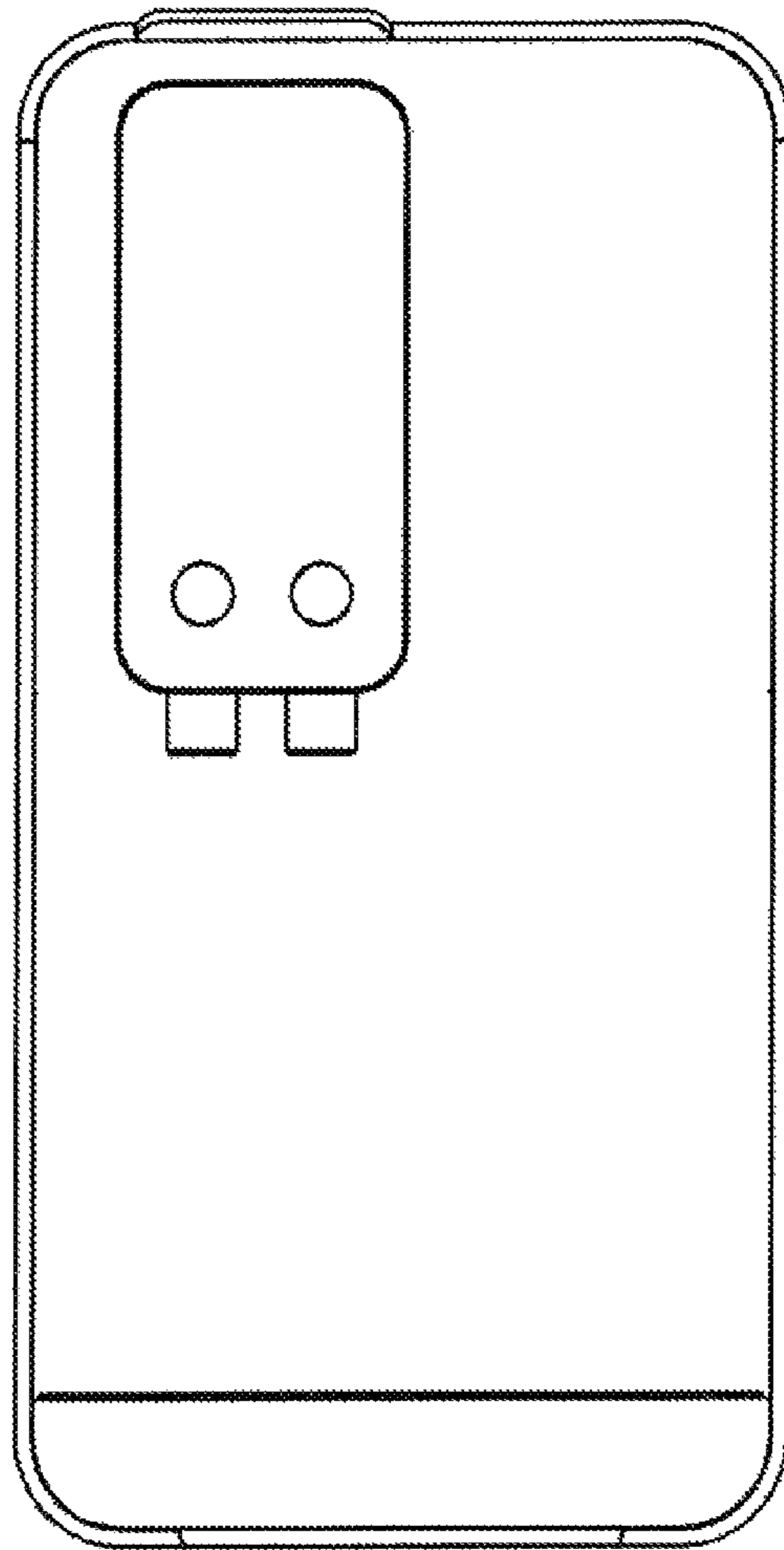


FIG. 2

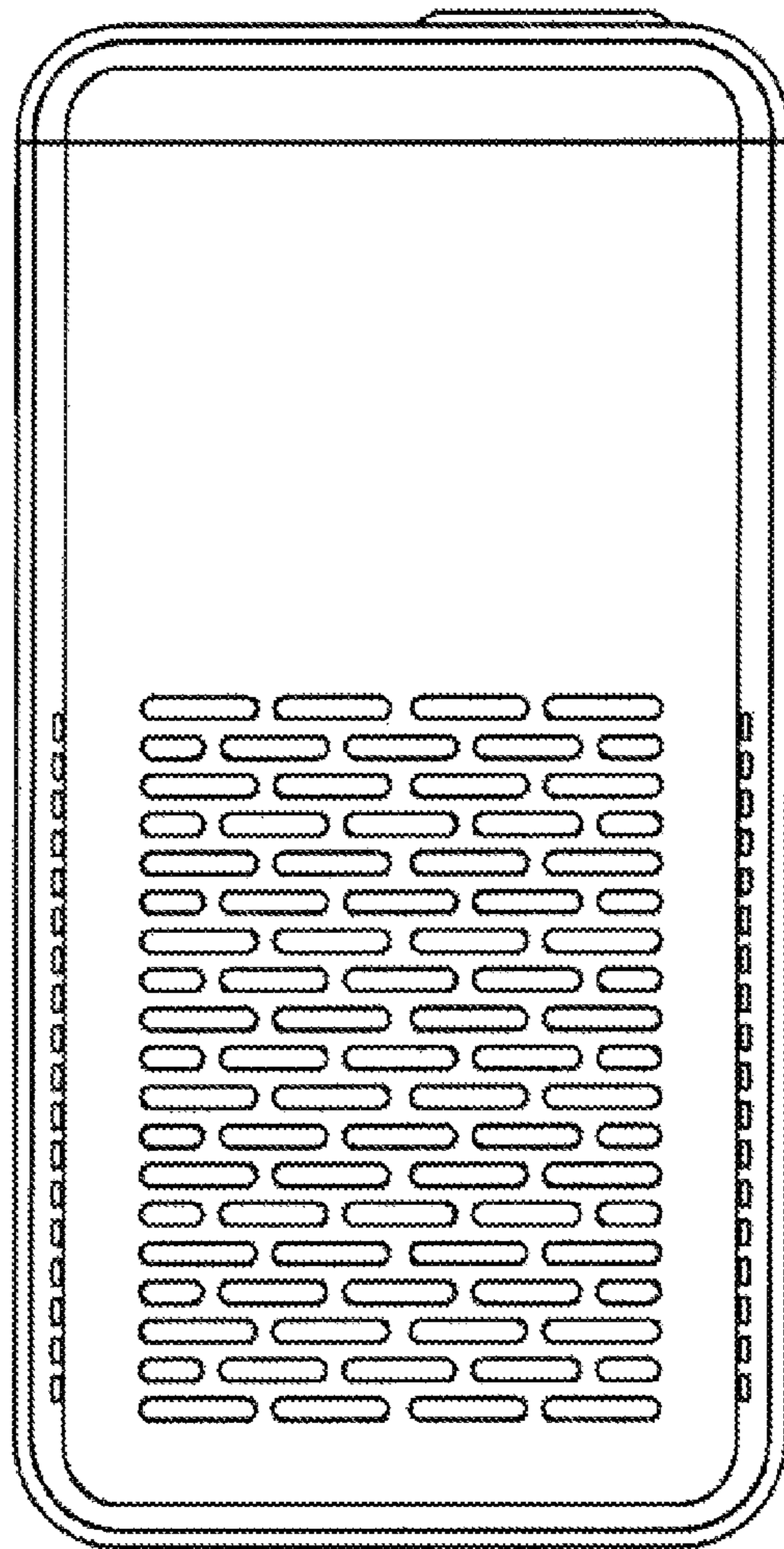


FIG. 3

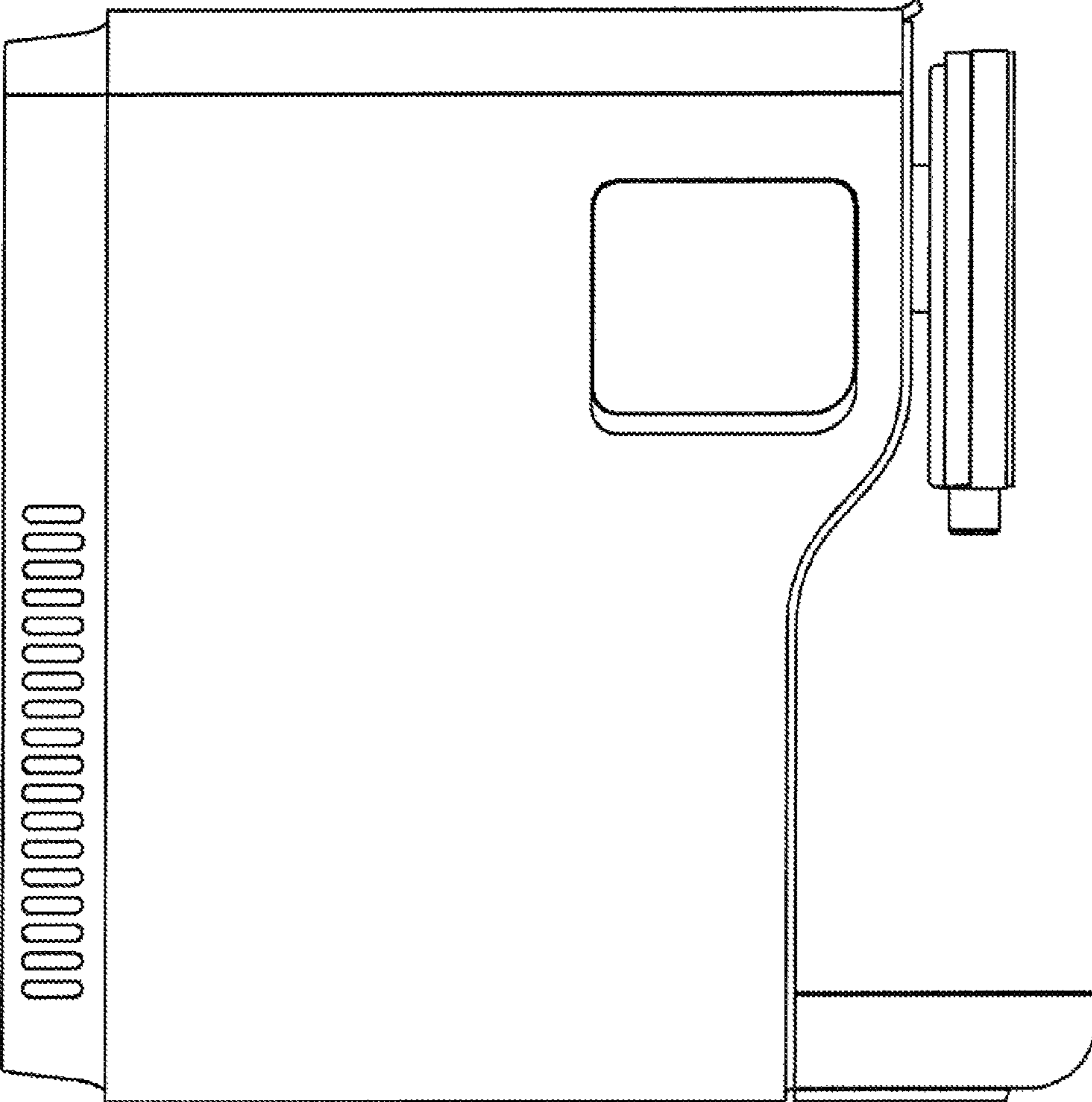


FIG. 4



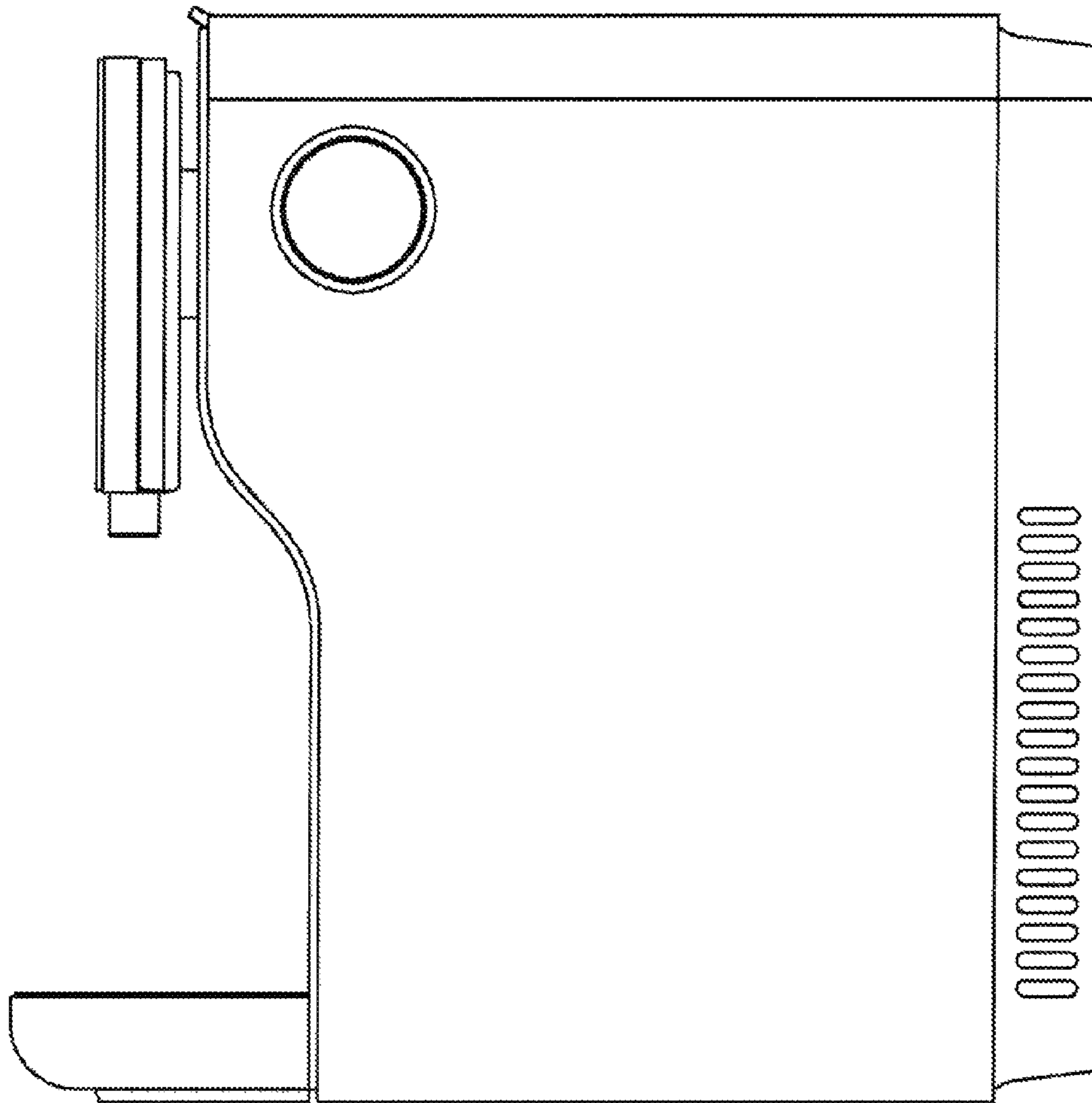


FIG. 5

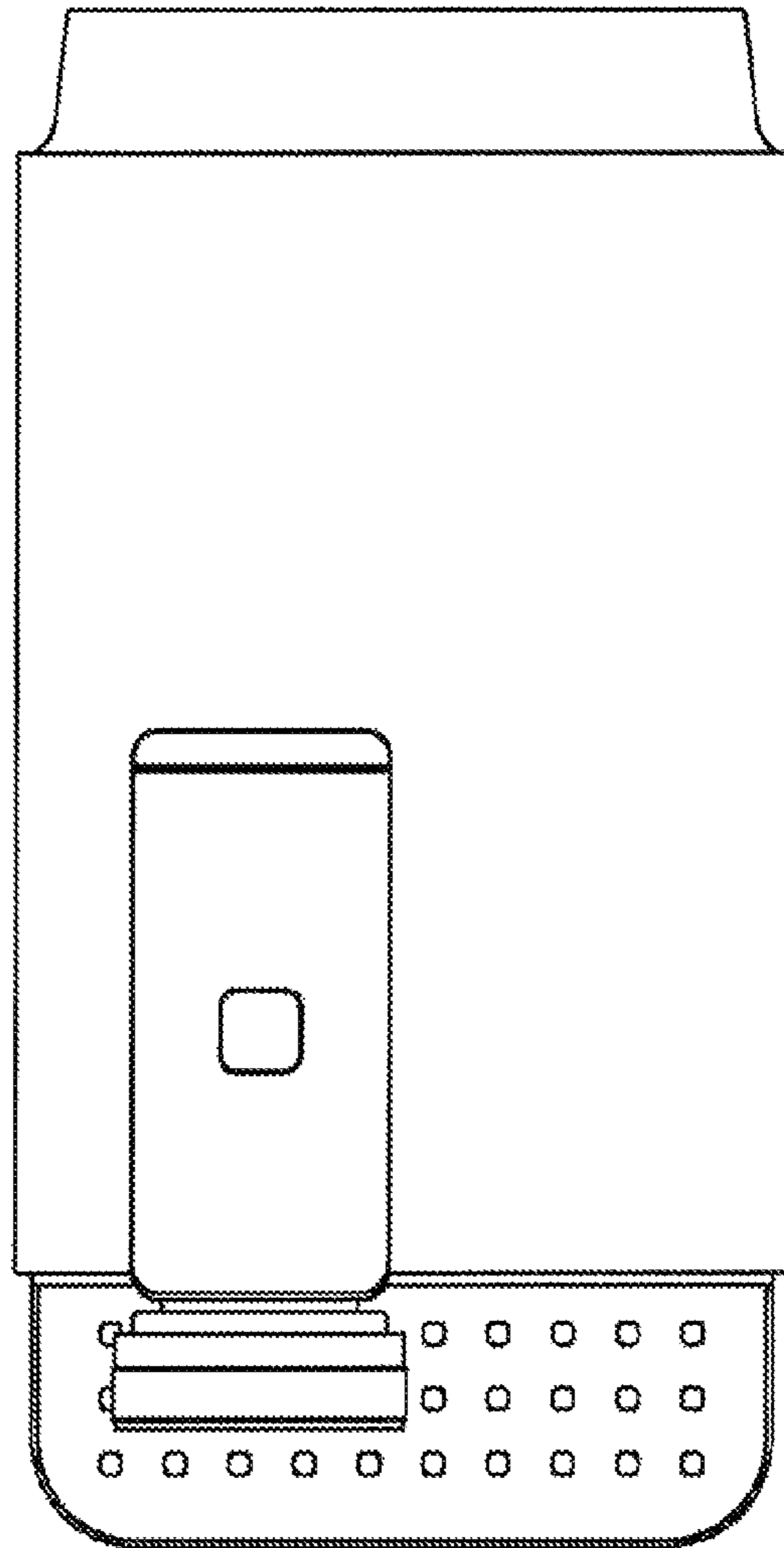


FIG. 6

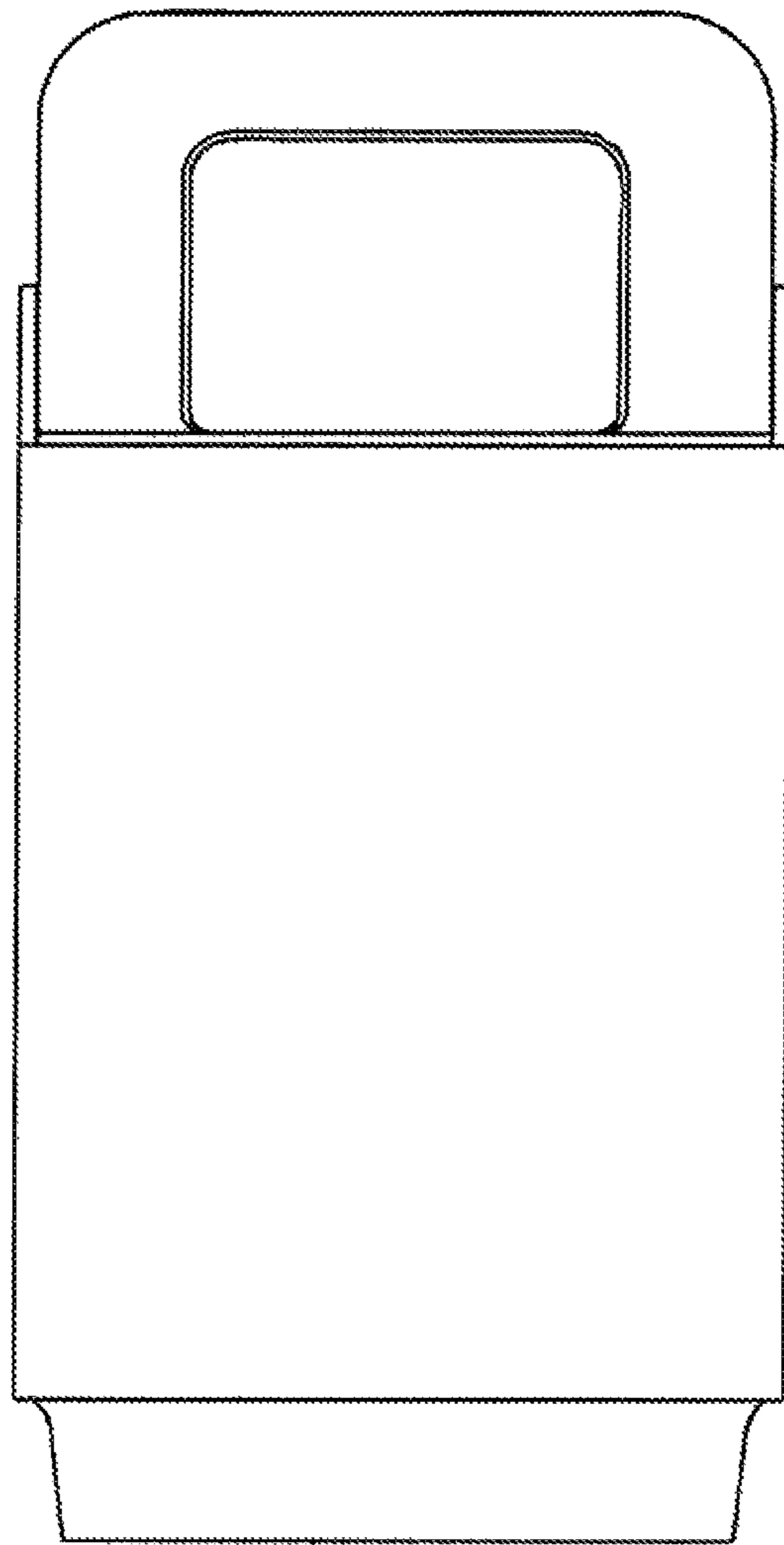


FIG. 7