



US00D697353S

(12) **United States Design Patent**
Nakamura

(10) **Patent No.:** **US D697,353 S**
(45) **Date of Patent:** **** Jan. 14, 2014**

(54) **CHAIR**

- (71) Applicant: **Itoki Corporation**, Osaka (JP)
- (72) Inventor: **Yasuhiro Nakamura**, Tokyo (JP)
- (73) Assignee: **Itoki Corporation**, Osaka-shi, Osaka (JP)
- (**) Term: **14 Years**
- (21) Appl. No.: **29/458,178**
- (22) Filed: **Jun. 17, 2013**

Related U.S. Application Data

- (62) Division of application No. 29/422,052, filed on May 16, 2012.

(30) **Foreign Application Priority Data**

- Nov. 17, 2011 (JP) 2011-026639
- Nov. 17, 2011 (JP) 2011-026646
- Mar. 26, 2012 (JP) 2012-006825

(51) **LOC (10) Cl.** **06-06**

(52) **U.S. Cl.**
USPC **D6/716.4; D6/366**

(58) **Field of Classification Search**
USPC D6/334-336, 344-353, 360-381, 388, D6/403, 491-502, 692, 708, 716, D6/716.2-716.4; 297/16.1, 22, 31, 35, 297/217.1, 228.12, 239, 256.16, 271.6, 297/284.4-284.5, 291, 297, 302.4, 411.2, 297/411.27-411.29, 411.43, 423.1, 423.12, 297/440.11, 440.15, 440.24, 448.1, 451.4, 297/452.13, 452.18, 452.19, 452.21, 297/452.27, 452.29, 452.3, 452.41, 452.56, 297/452.64

See application file for complete search history.

(56) **References Cited**

U.S. PATENT DOCUMENTS

D445,580 S *	7/2001	Pennington et al.	D6/366
D449,174 S *	10/2001	Neil	D6/366
D476,821 S	7/2003	Koepke et al.	
D487,359 S *	3/2004	Giugiaro	D6/366
D493,627 S	8/2004	Ma	
D494,768 S *	8/2004	Su	D6/366
D499,895 S	12/2004	Olson et al.	
D507,124 S *	7/2005	Yang	D6/366
D514,832 S *	2/2006	Tsai	D6/366
D527,920 S *	9/2006	Giugiaro	D6/366
D528,811 S	9/2006	Giugiaro	
D541,063 S	4/2007	Su	
D545,076 S *	6/2007	Dallmann et al.	D6/366
D558,995 S	1/2008	Igarashi	
D558,996 S *	1/2008	Igarashi	D6/366
D558,997 S	1/2008	Igarashi	
D559,571 S *	1/2008	Meda	D6/366
D559,572 S	1/2008	Igarashi	

(Continued)

Primary Examiner — Ricky Pham

(74) *Attorney, Agent, or Firm* — Drinker Biddle & Reath LLP

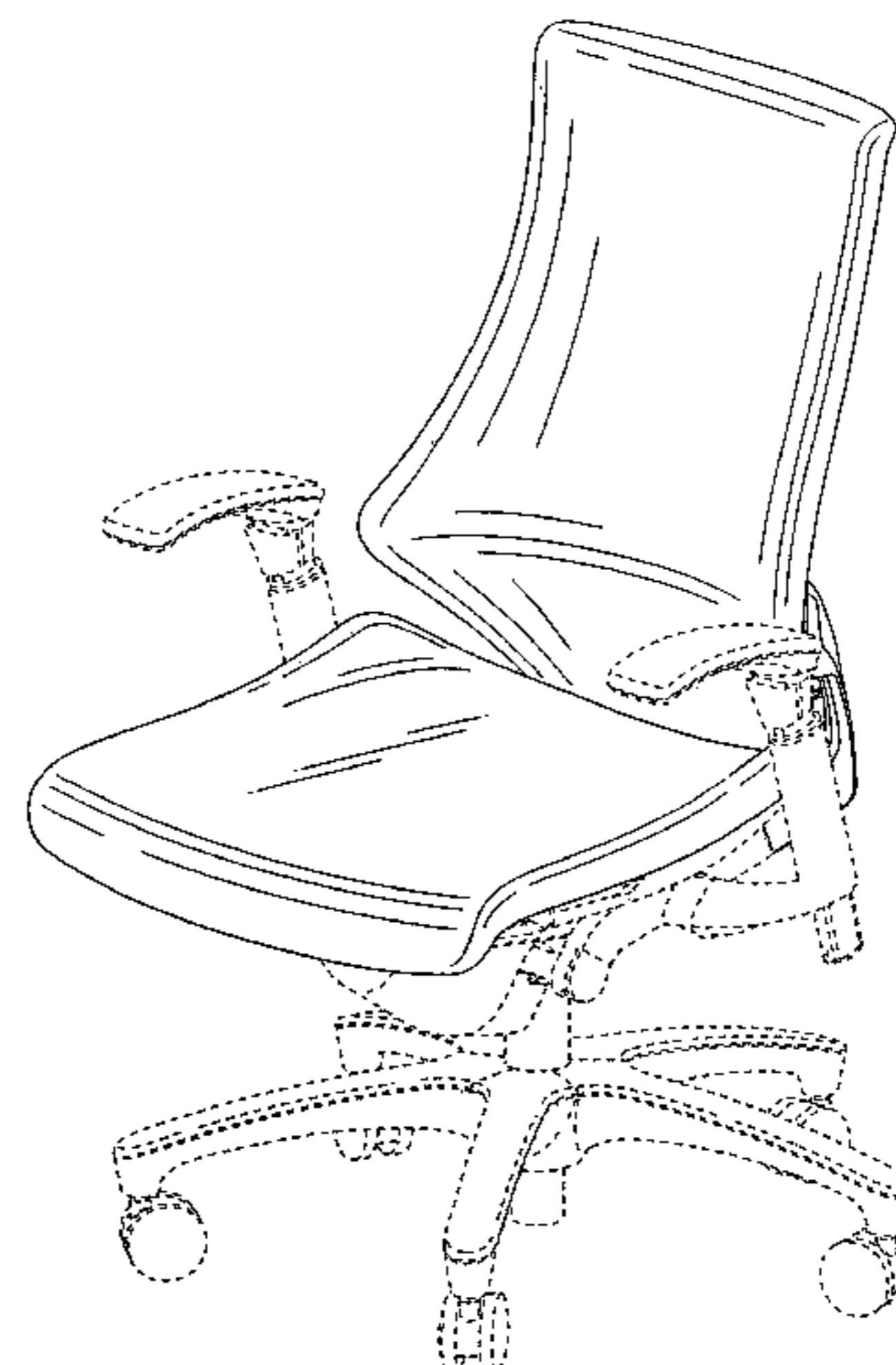
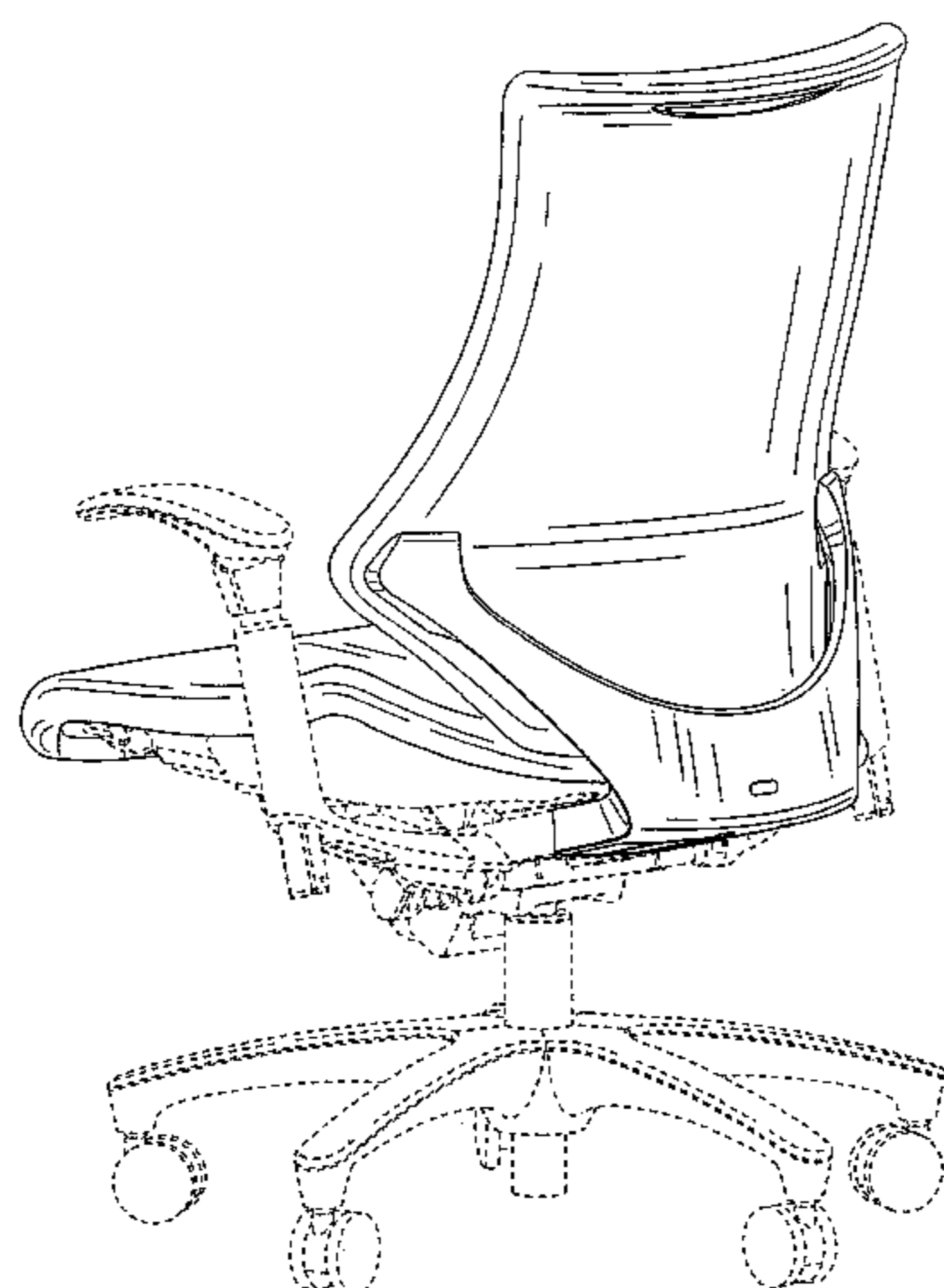
(57) **CLAIM**

The ornamental design for the chair, as shown and described.

DESCRIPTION

FIG. 1 is a rear perspective view of a front and right side of a chair showing my new design;
 FIG. 2 is a front perspective view thereof;
 FIG. 3 is a front view thereof;
 FIG. 4 is a rear view thereof;
 FIG. 5 is a left side view thereof;
 FIG. 6 is a right side view thereof;
 FIG. 7 is a top plan view thereof; and,
 FIG. 8 is a bottom view thereof.
 The portions of the article in broken lines are shown for illustrative purposes only and form no part of the claimed design.

1 Claim, 8 Drawing Sheets



(56)

References Cited

U.S. PATENT DOCUMENTS

D559,573 S	1/2008	Igarashi	
D559,574 S	1/2008	Igarashi	
D567,521 S	4/2008	Igarashi	
D567,522 S	4/2008	Igarashi	
D568,057 S *	5/2008	Igarashi	D6/366
D576,813 S *	9/2008	Baldanzi et al.	D6/366
D576,814 S *	9/2008	Baldanzi et al.	D6/366
D579,682 S	11/2008	Neil	
D582,170 S *	12/2008	Chi	D6/366
D583,580 S *	12/2008	Hara	D6/366
D597,349 S *	8/2009	Wilkinson et al.	D6/502
D599,571 S	9/2009	Hara	
D613,085 S *	4/2010	Fujita	D6/366
D613,086 S *	4/2010	Fujita	D6/366
D613,087 S *	4/2010	Fujita	D6/366
D613,088 S *	4/2010	Fujita	D6/366
D627,174 S *	11/2010	Romero	D6/366
D627,983 S *	11/2010	Wakasugi et al.	D6/366
D639,576 S	6/2011	Breen	
D640,478 S	6/2011	Neil	
D643,641 S	8/2011	Figueroa	
D643,642 S	8/2011	Figueroa	
D646,915 S	10/2011	Schweikarth et al.	
D648,147 S *	11/2011	Izawa	D6/366
D649,795 S	12/2011	Izawa	
D652,223 S *	1/2012	Fujita	D6/366
D652,646 S *	1/2012	Fujita	D6/366
D652,647 S *	1/2012	Schaack	D6/366
D654,280 S *	2/2012	Fujita	D6/366
D654,709 S *	2/2012	Fujita	D6/366
D654,710 S *	2/2012	Fujita	D6/366
D654,711 S *	2/2012	Fujita	D6/366
D656,752 S	4/2012	Moll	
D659,417 S *	5/2012	Schmitz et al.	D6/366
D662,330 S *	6/2012	Tanaka et al.	D6/366
D665,589 S *	8/2012	Wagner	D6/366
D665,592 S	8/2012	Citterio	
D666,016 S	8/2012	Citterio	
D667,231 S	9/2012	Citterio	
D670,927 S	11/2012	Hurford	
D671,330 S *	11/2012	Izawa	D6/366
D671,331 S *	11/2012	Izawa	D6/366
D671,332 S *	11/2012	Izawa	D6/366
D671,759 S	12/2012	Hurford	
D676,254 S *	2/2013	Chen	D6/366
D683,150 S *	5/2013	Smith et al.	D6/366
2008/0284229 A1 *	11/2008	Masunaga et al.	297/452.18

* cited by examiner

Fig. 1

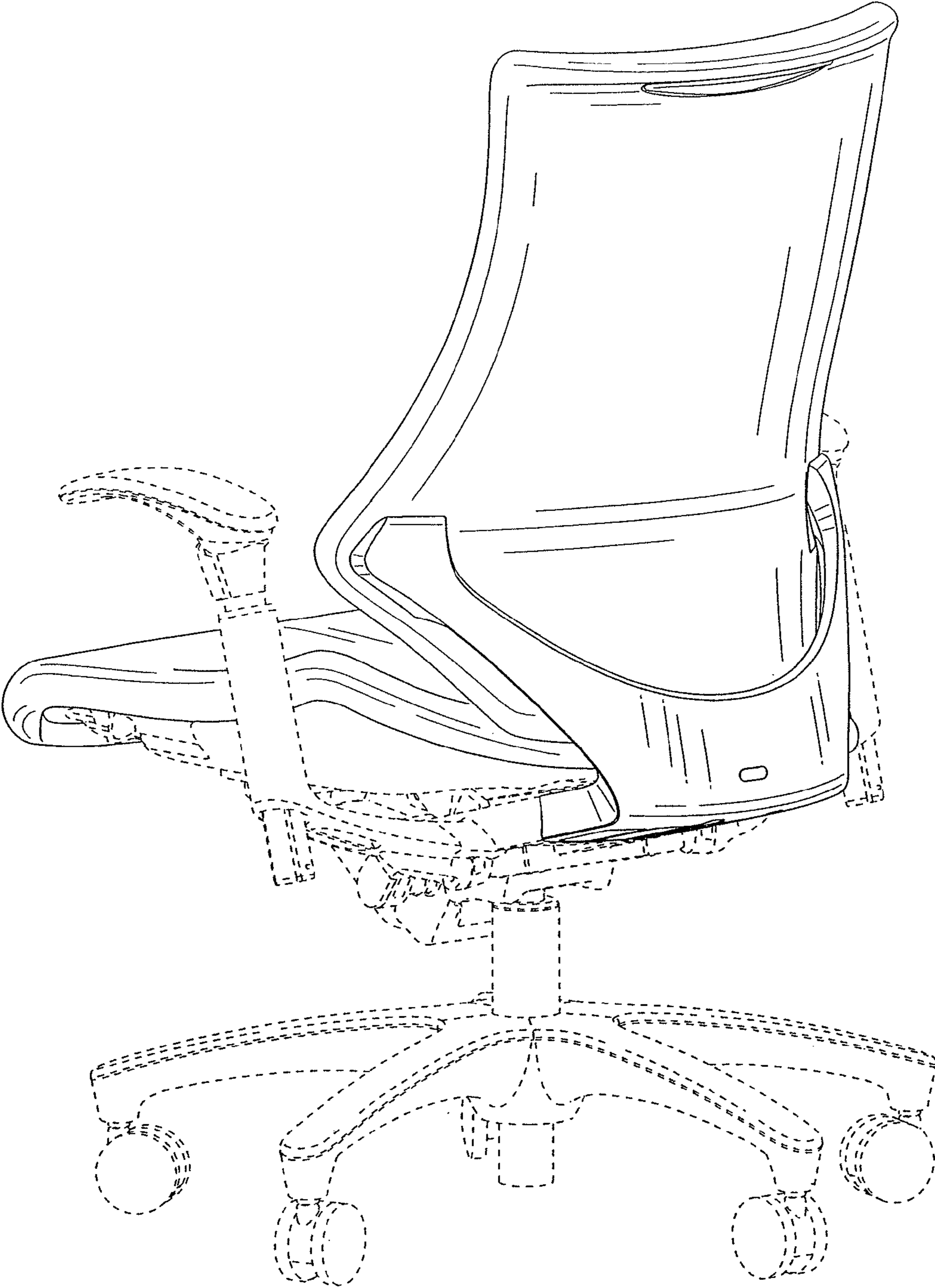


Fig. 2

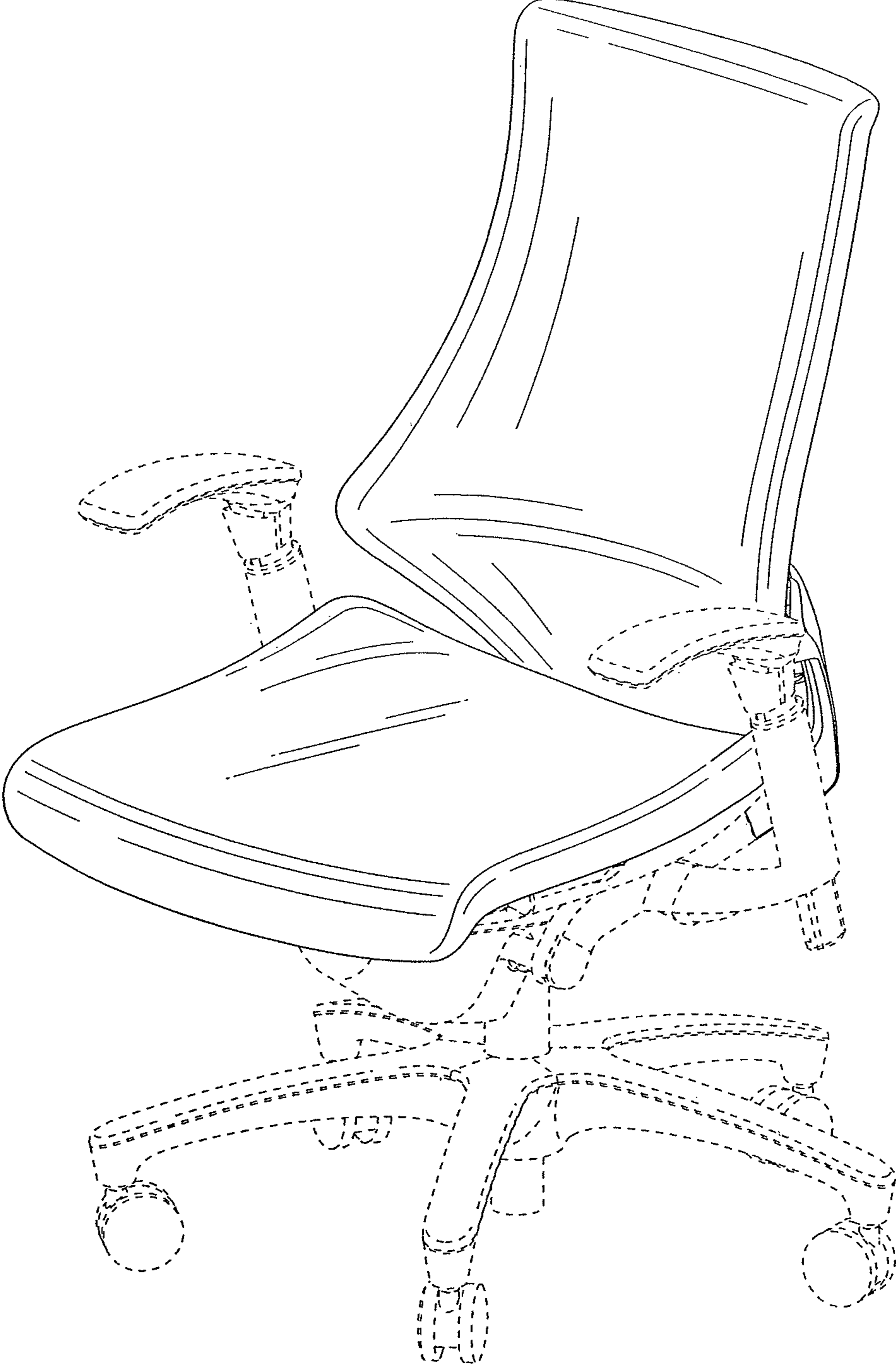


Fig. 3

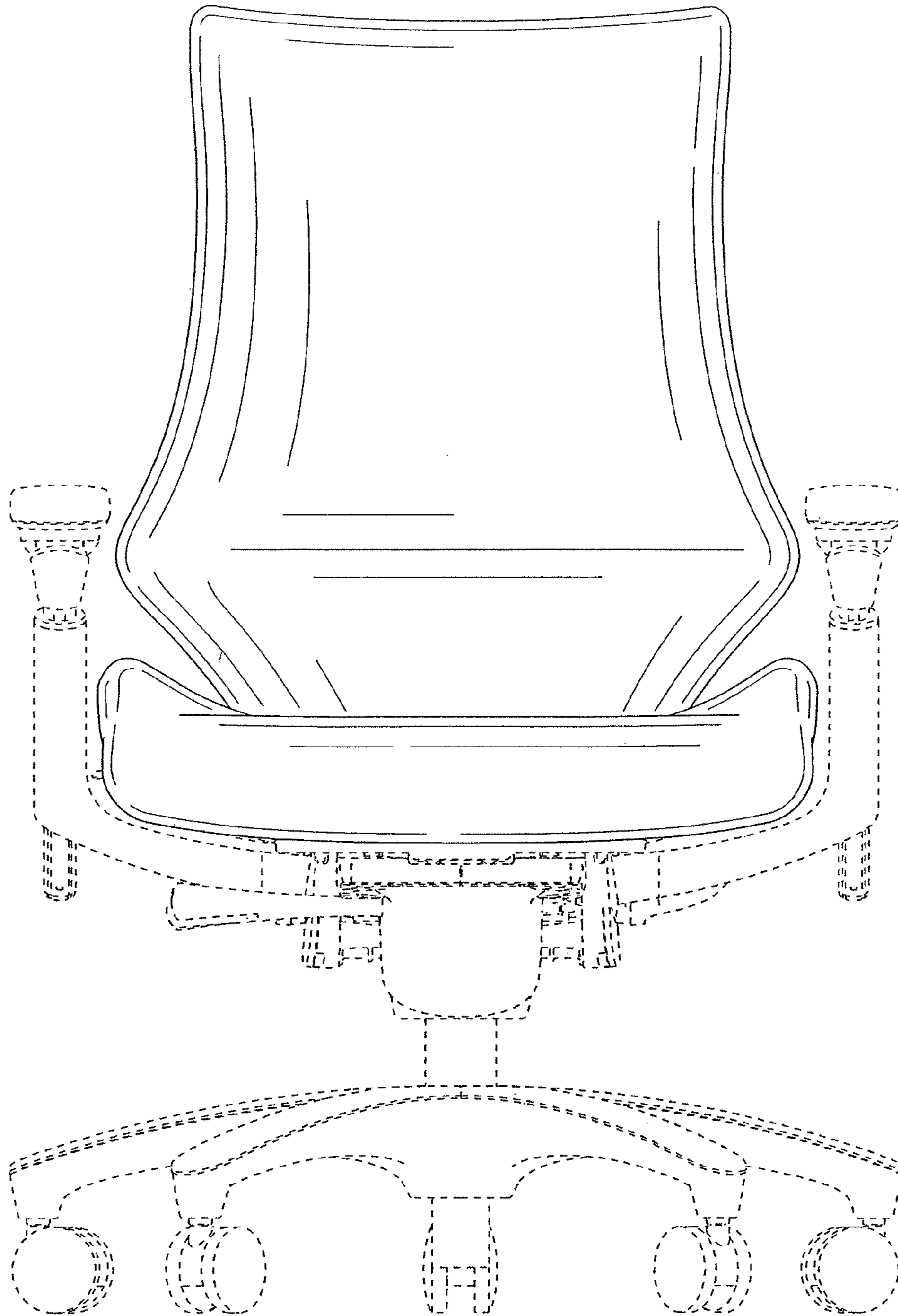


Fig. 4

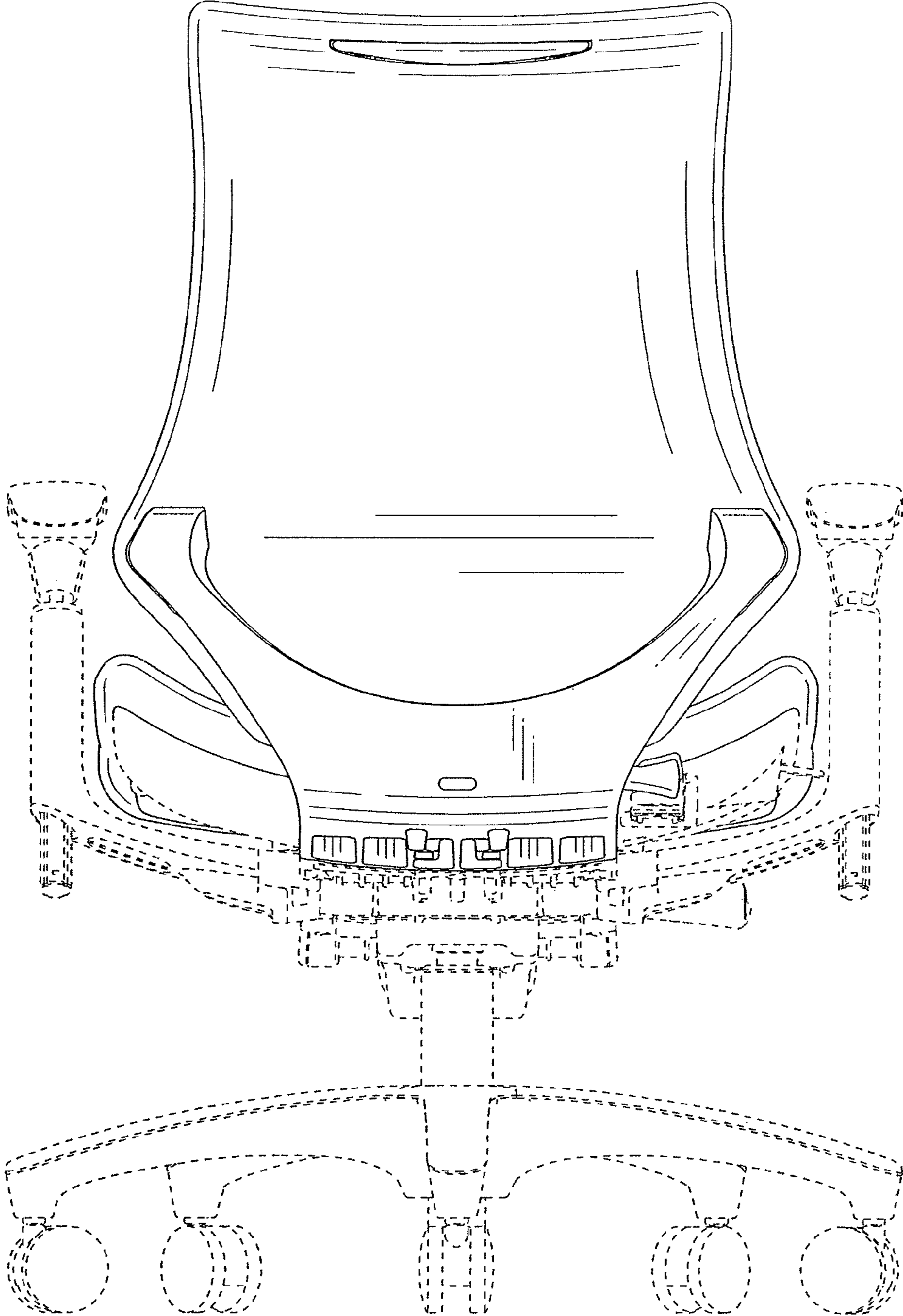


Fig. 5

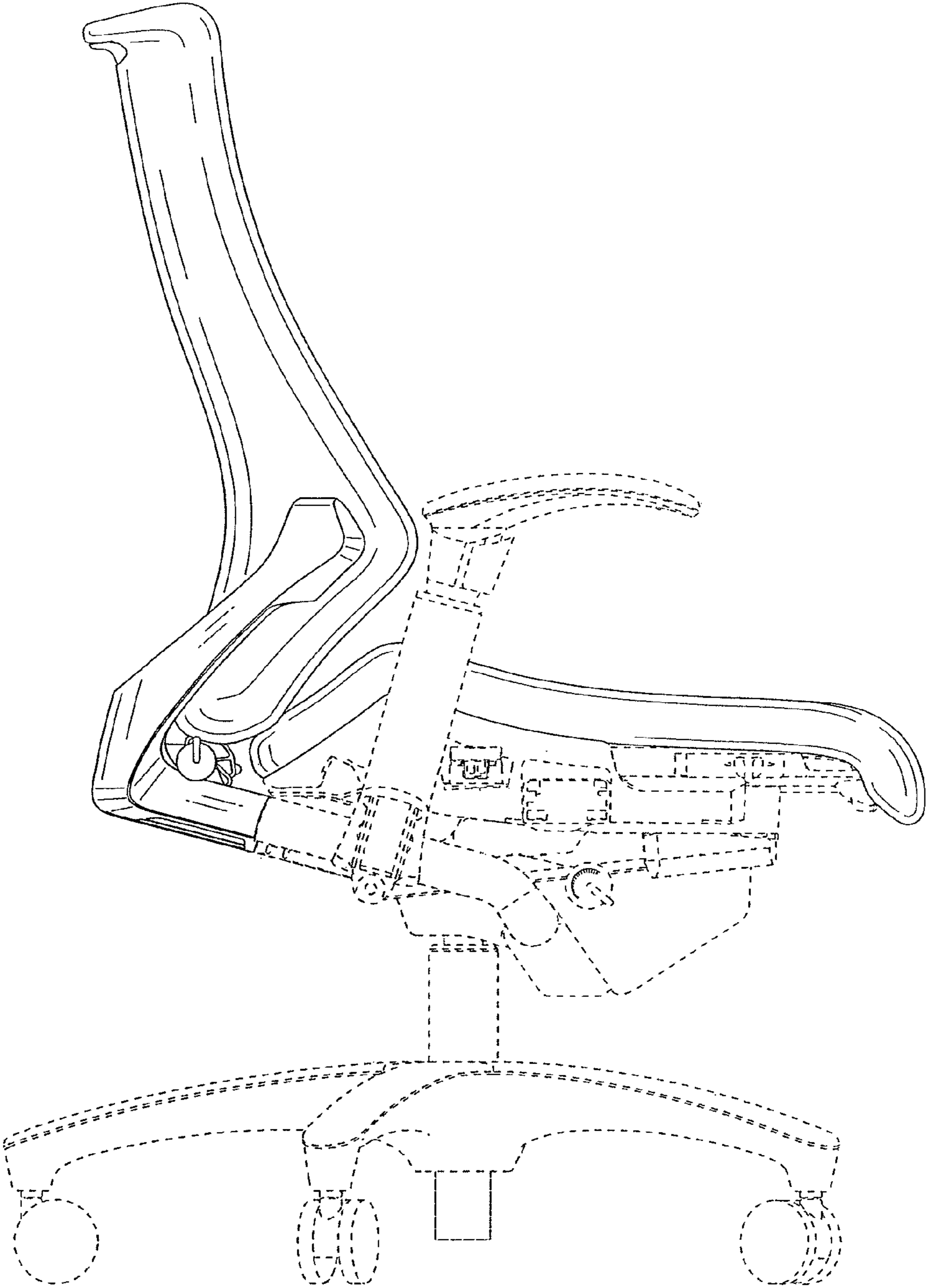


Fig. 6

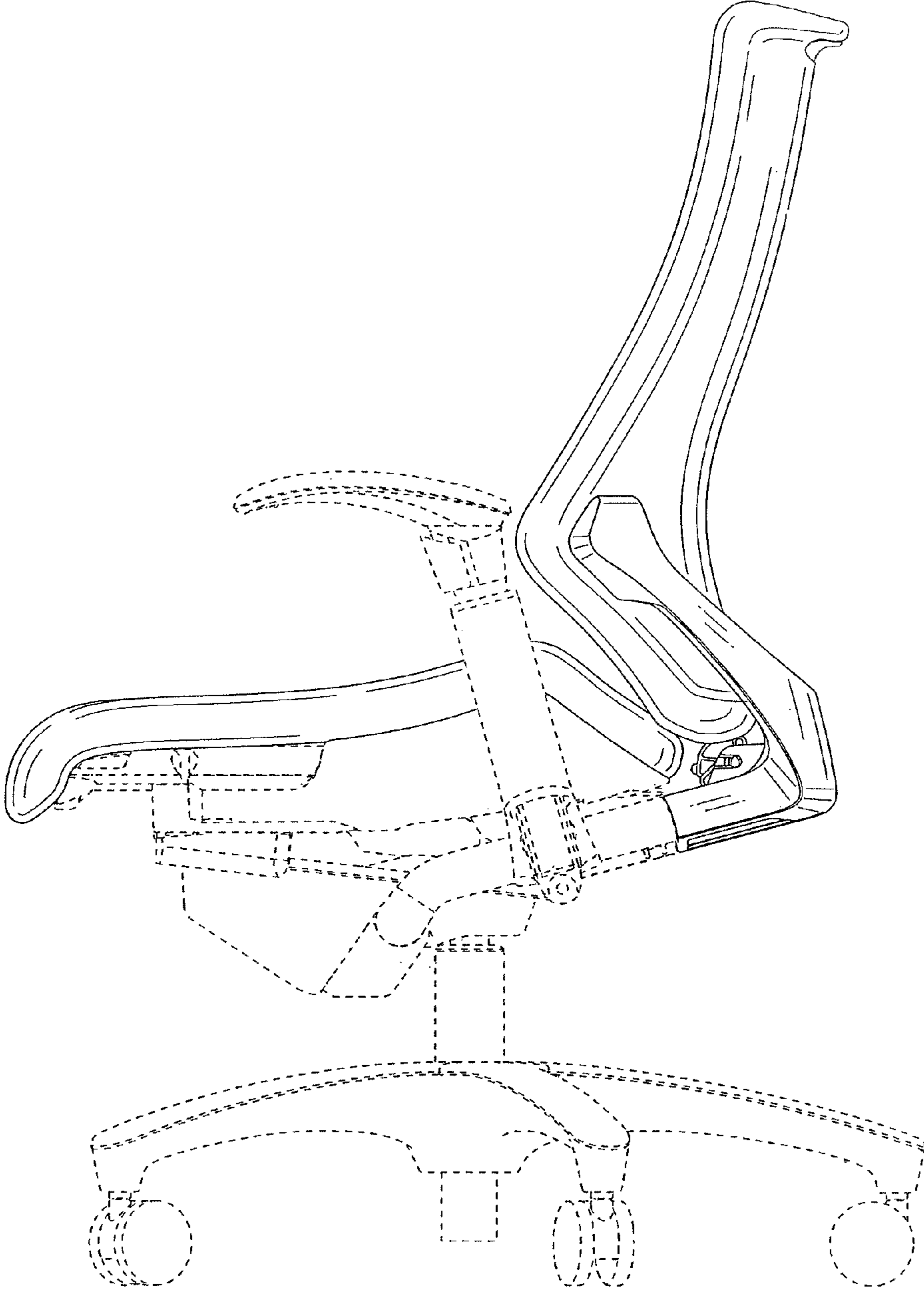


Fig. 7

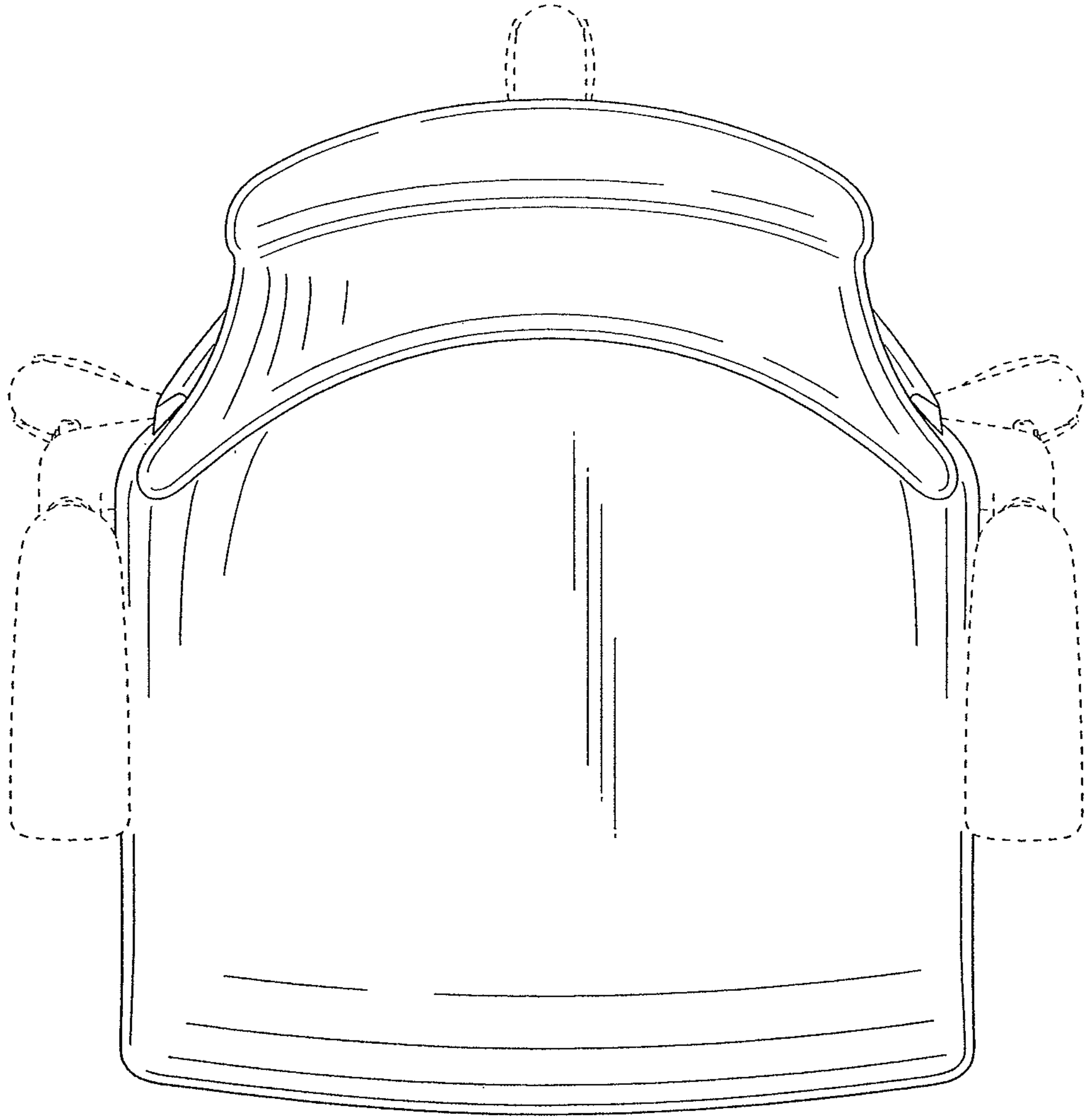


Fig. 8

