

US00D697351S

(12) **United States Design Patent**
Skalka

(10) **Patent No.:** **US D697,351 S**
(45) **Date of Patent:** **** Jan. 14, 2014**

- (54) **MODULAR SEAT COMPONENT**
- (71) Applicant: **Victor Stanley, Inc.**, Dunkirk, MD (US)
- (72) Inventor: **Gerald Skalka**, Potomac, MD (US)
- (73) Assignee: **Victor Stanley, Inc.**, Dunkirk, MD (US)
- (**) Term: **14 Years**
- (21) Appl. No.: **29/461,063**
- (22) Filed: **Jul. 18, 2013**

| | | | | |
|----------------|---------|--------|-------|---------|
| D526,805 S * | 8/2006 | Skalka | | D6/381 |
| D536,184 S * | 2/2007 | Skalka | | D6/349 |
| 7,252,331 B1 * | 8/2007 | Walton | | 297/232 |
| D595,973 S * | 7/2009 | Skalka | | D6/381 |
| D599,570 S * | 9/2009 | Skalka | | D6/355 |
| D604,520 S | 11/2009 | Wegman | | |
| D604,521 S | 11/2009 | Wegman | | |

(Continued)

OTHER PUBLICATIONS

Victor Stanley, Inc. Steelsites(TM) Series RND-363 Table (2010).

(Continued)

Related U.S. Application Data

- (62) Division of application No. 29/397,523, filed on Jul. 18, 2011.
- (51) **LOC (10) Cl.** **06-01**
- (52) **U.S. Cl.**
USPC **D6/716.1**
- (58) **Field of Classification Search**
USPC D6/335-338, 357, 369, 702, 716, 716.1,
D6/712, 708, 708.16, 708.17; 297/135,
297/157.1, 158.2, 158.3, 158.5, 174 R, 245
See application file for complete search history.

Primary Examiner — Sandra Snapp

(74) *Attorney, Agent, or Firm* — Westerman, Hattori, Daniels & Adrian, LLP

(57) **CLAIM**

The ornamental design for a modular seat component, as shown and described.

DESCRIPTION

FIG. 1 is an isometric view of a modular seat component showing my new design.

FIG. 2 is a front elevational view of the modular seat component of FIG. 1.

FIG. 3 is a right side elevational view of the modular seat component of FIG. 1, the left side elevational view being a mirror image thereof.

FIG. 4 is a rear elevational view of the modular seat component of FIG. 1.

FIG. 5 is a top plan view of the modular seat component of FIG. 1; and,

FIG. 6 is a bottom plan view of the modular seat component of FIG. 1.

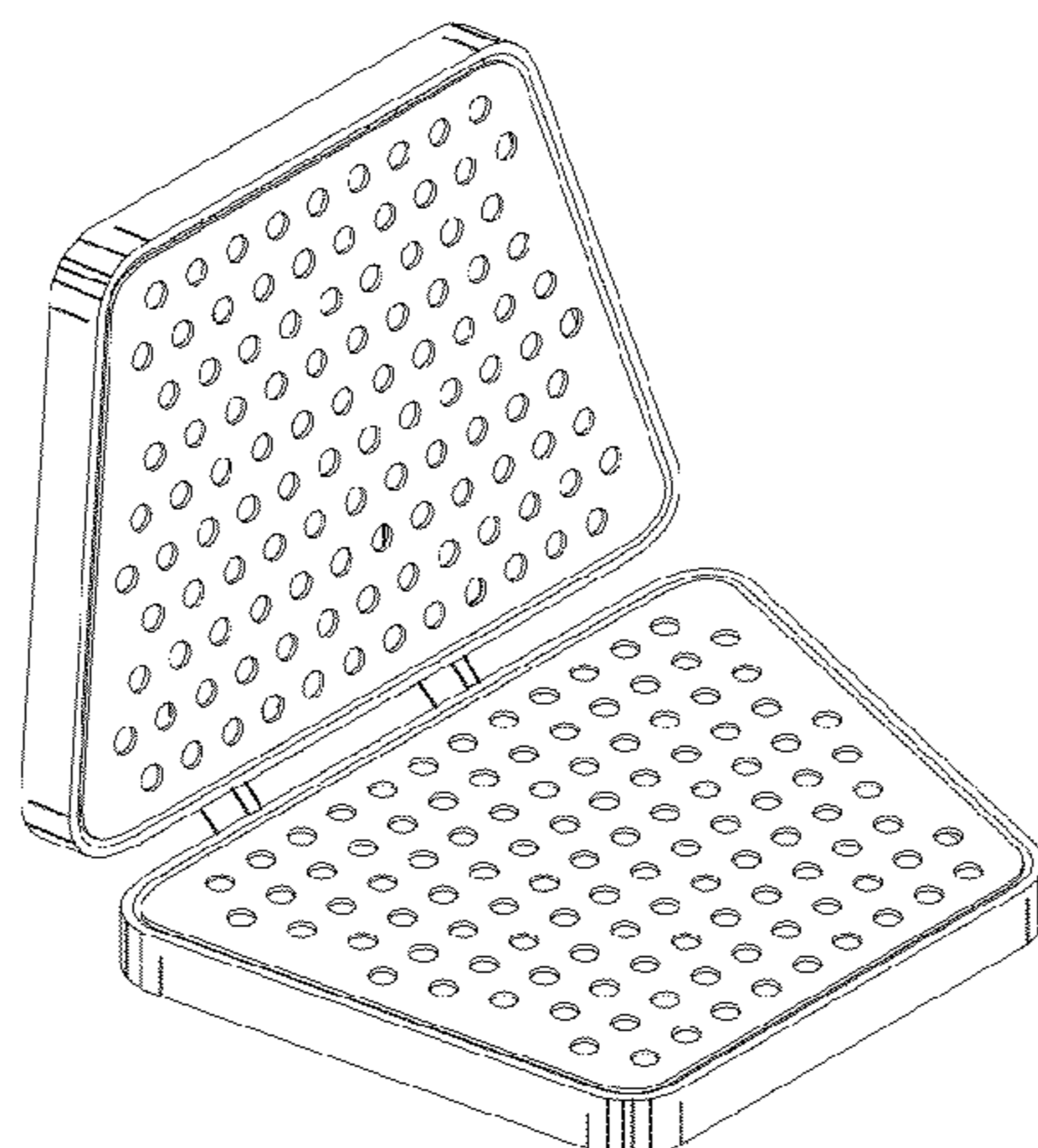
The broken line showing of brackets in FIGS. 1-6 is included for the purpose of illustrating use and environment and forms no part of the claimed design.

(56) **References Cited**

U.S. PATENT DOCUMENTS

| | | | | |
|--------------|---------|-----------------|-------|--------|
| D313,128 S | 12/1990 | Serafini | | |
| D365,937 S * | 1/1996 | Skalka | | D6/370 |
| D396,358 S * | 7/1998 | Geier | | D6/349 |
| D413,734 S | 9/1999 | Bue | | |
| D448,938 S | 10/2001 | Ng et al. | | |
| D453,424 S * | 2/2002 | Stewart | | D6/349 |
| D457,738 S * | 5/2002 | Slear et al. | | D6/355 |
| D478,732 S | 8/2003 | Pajerski et al. | | |
| D479,406 S | 9/2003 | Pajerski et al. | | |
| D479,773 S | 9/2003 | Pajerski et al. | | |
| D522,775 S * | 6/2006 | Skalka | | D6/495 |
| D523,650 S * | 6/2006 | Skalka | | D6/349 |

1 Claim, 1 Drawing Sheet



(56)

References Cited

U.S. PATENT DOCUMENTS

D604,522 S 11/2009 Wegman
D604,523 S 11/2009 Wegman
D621,629 S 8/2010 Weimer et al.

OTHER PUBLICATIONS

Victor Stanley, Inc. Steelsites(TM) Series CRPR-4 Table (2010).
Victor Stanley, Inc. Steelsites(TM) Series Benches and Seating Brochure (2010).
Victor Stanley, Inc. Streetsites(TM) Series Brochure (2010).
U.S. Appl. No. 29/397,524, filed Jul. 18, 2011, Gerald P. Skalka.

U.S. Appl. No. 29/447,565, filed Mar. 5, 2013, Gerald P. Skalka.
U.S. Appl. No. 29/447,569, filed Mar. 5, 2013, Gerald P. Skalka.
U.S. Appl. No. 29/447,575, filed Mar. 5, 2013, Gerald P. Skalka.
U.S. Appl. No. 29/447,580, filed Mar. 5, 2013, Gerald P. Skalka.
U.S. Appl. No. 29/447,581, filed Mar. 5, 2013, Gerald P. Skalka.
U.S. Appl. No. 29/397,523, filed Jul. 18, 2011 Gerald P. Skalka.
U.S. Appl. No. 29/461,061, filed Jul. 18, 2013, Gerald P. Skalka.
U.S. Appl. No. 29/461,063, filed Jul. 18, 2013, Gerald P. Skalka.
U.S. Appl. No. 29/461,064, filed Jul. 18, 2013, Gerald P. Skalka.
U.S. Appl. No. 29/461,065, filed Jul. 18, 2013, Gerald P. Skalka.
U.S. Appl. No. 29/461,066, filed Jul. 18, 2013, Gerald P. Skalka.
U.S. Appl. No. 29/397,507, filed Jul. 18, 2013, Gerald P. Skalka.

* cited by examiner

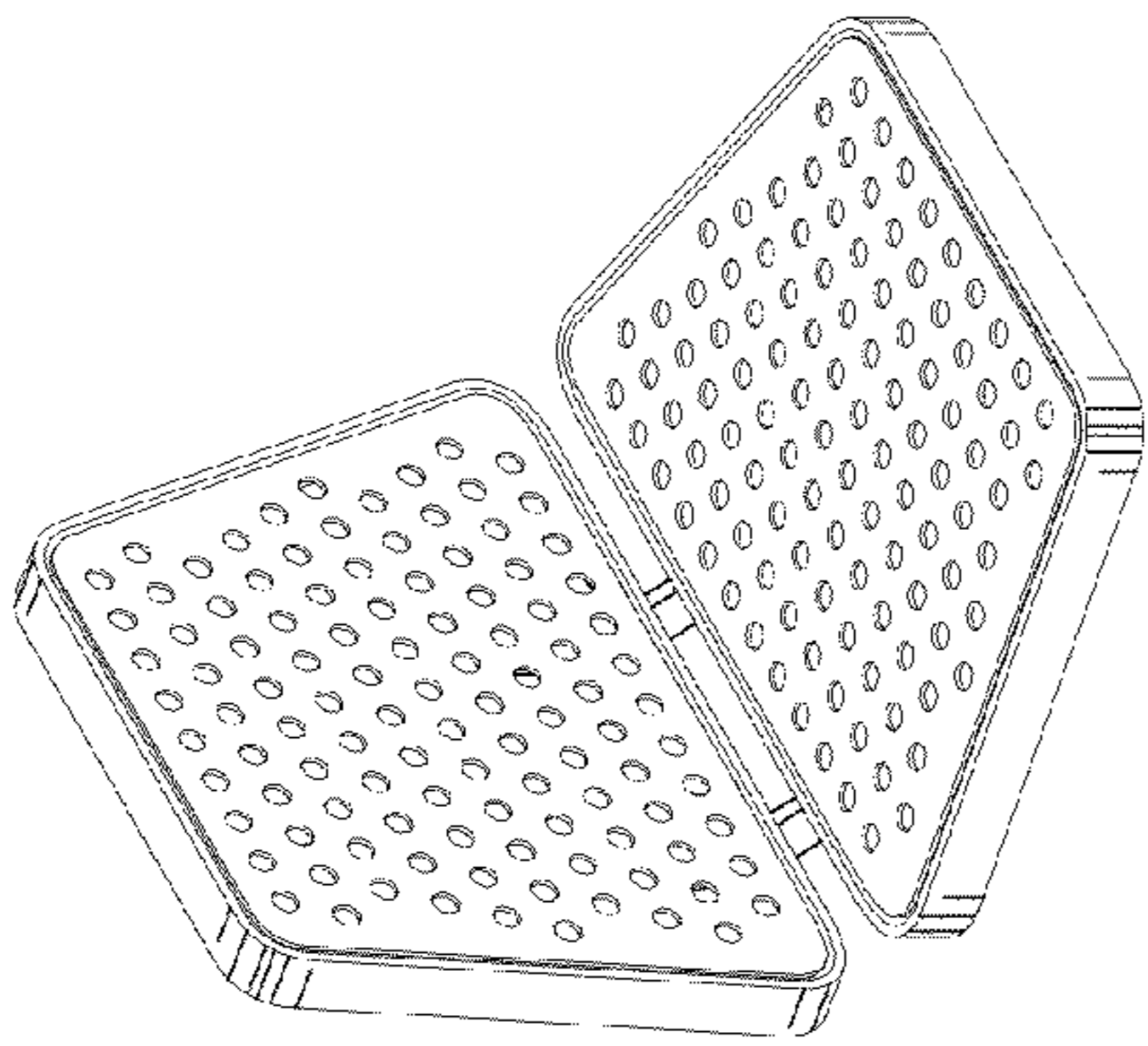


FIG. 1

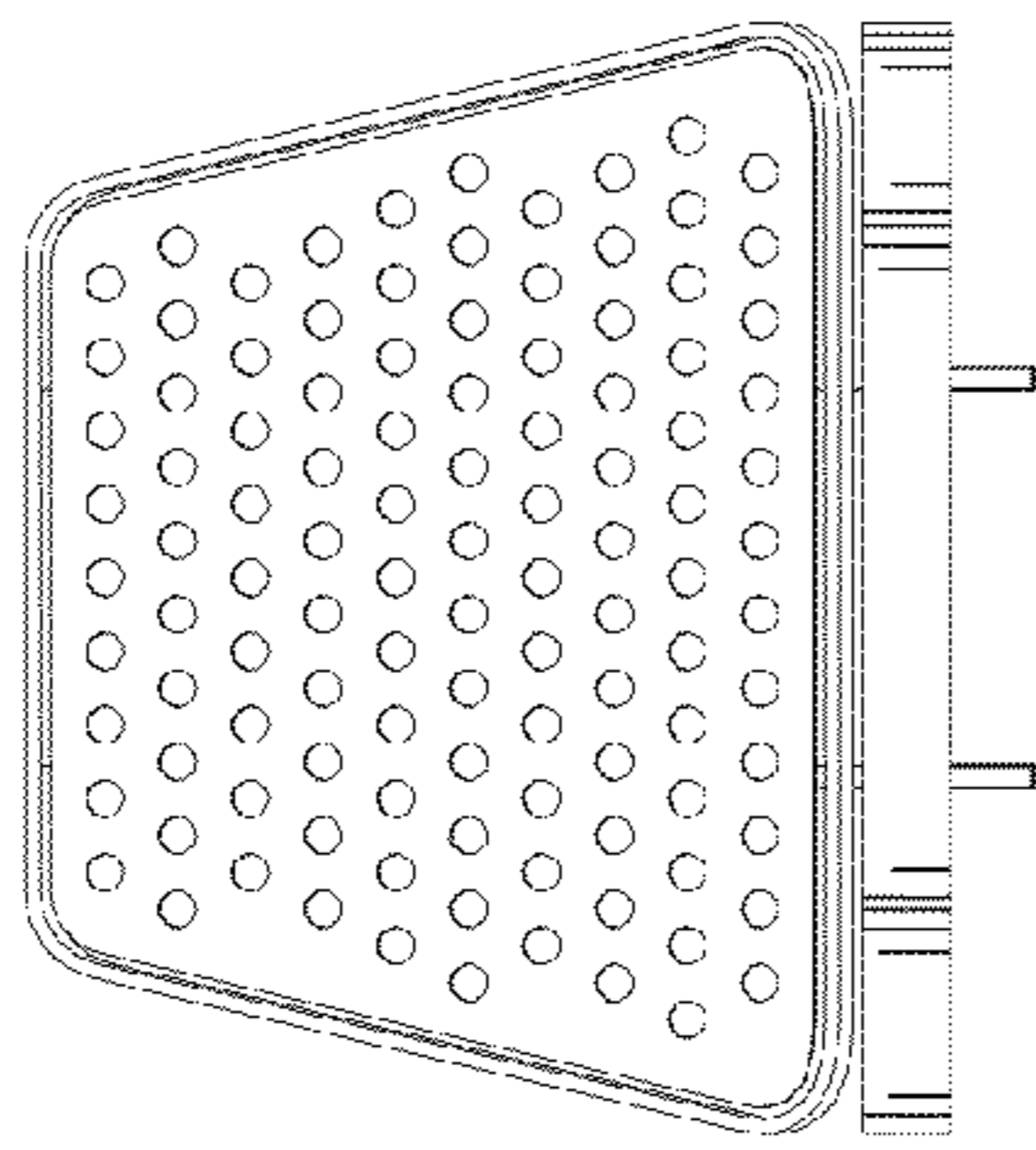


FIG. 2

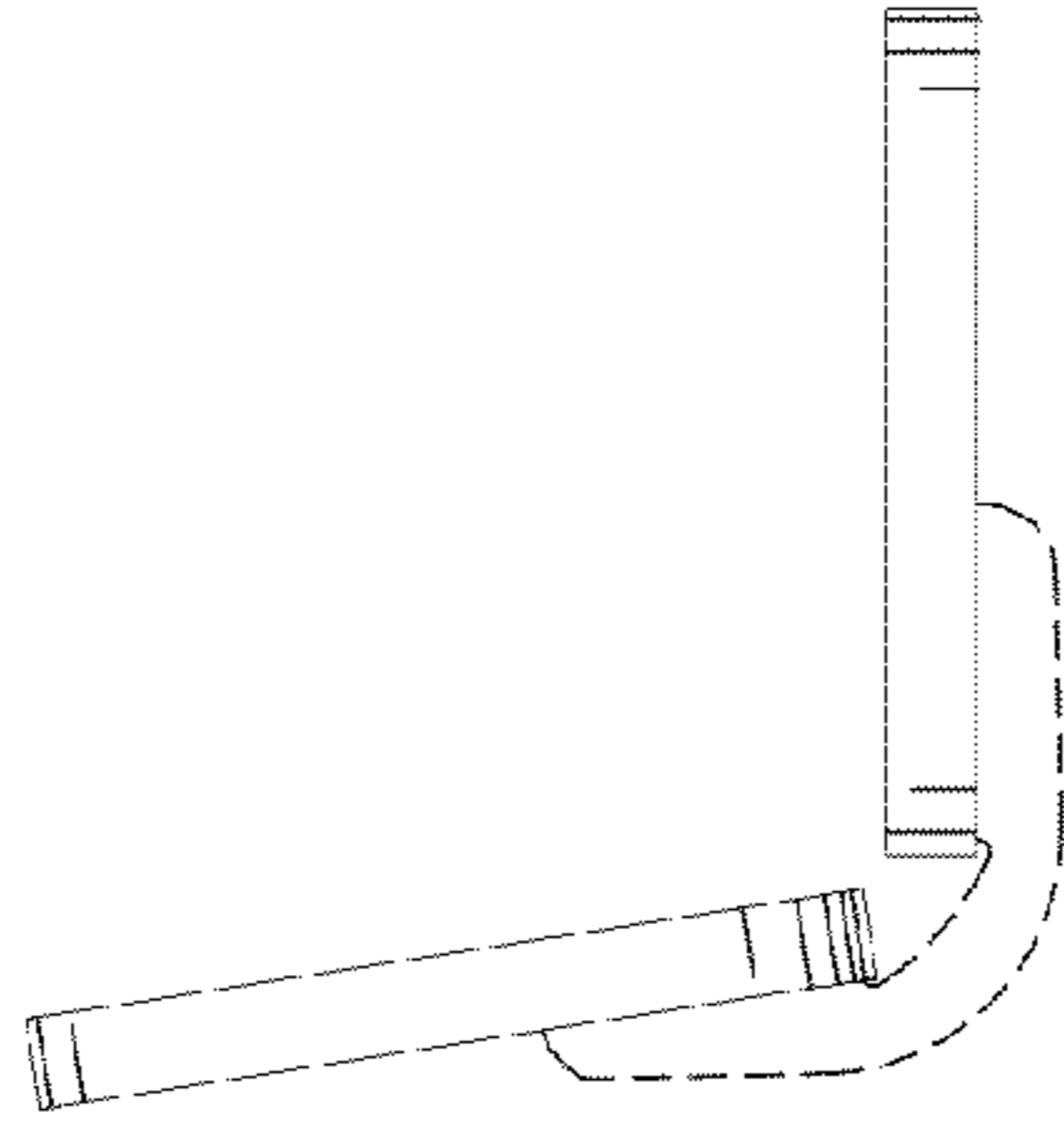


FIG. 3

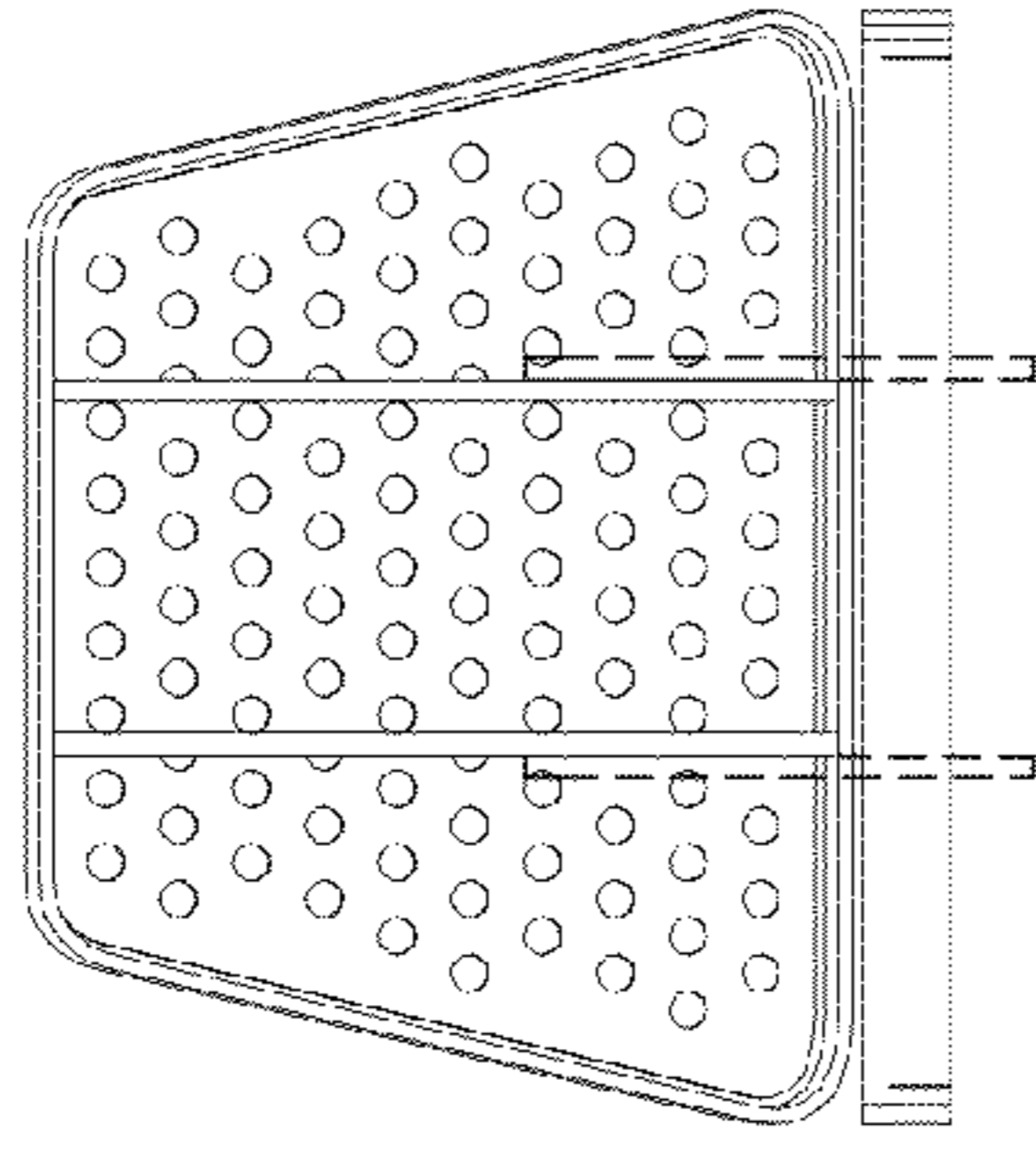


FIG. 4

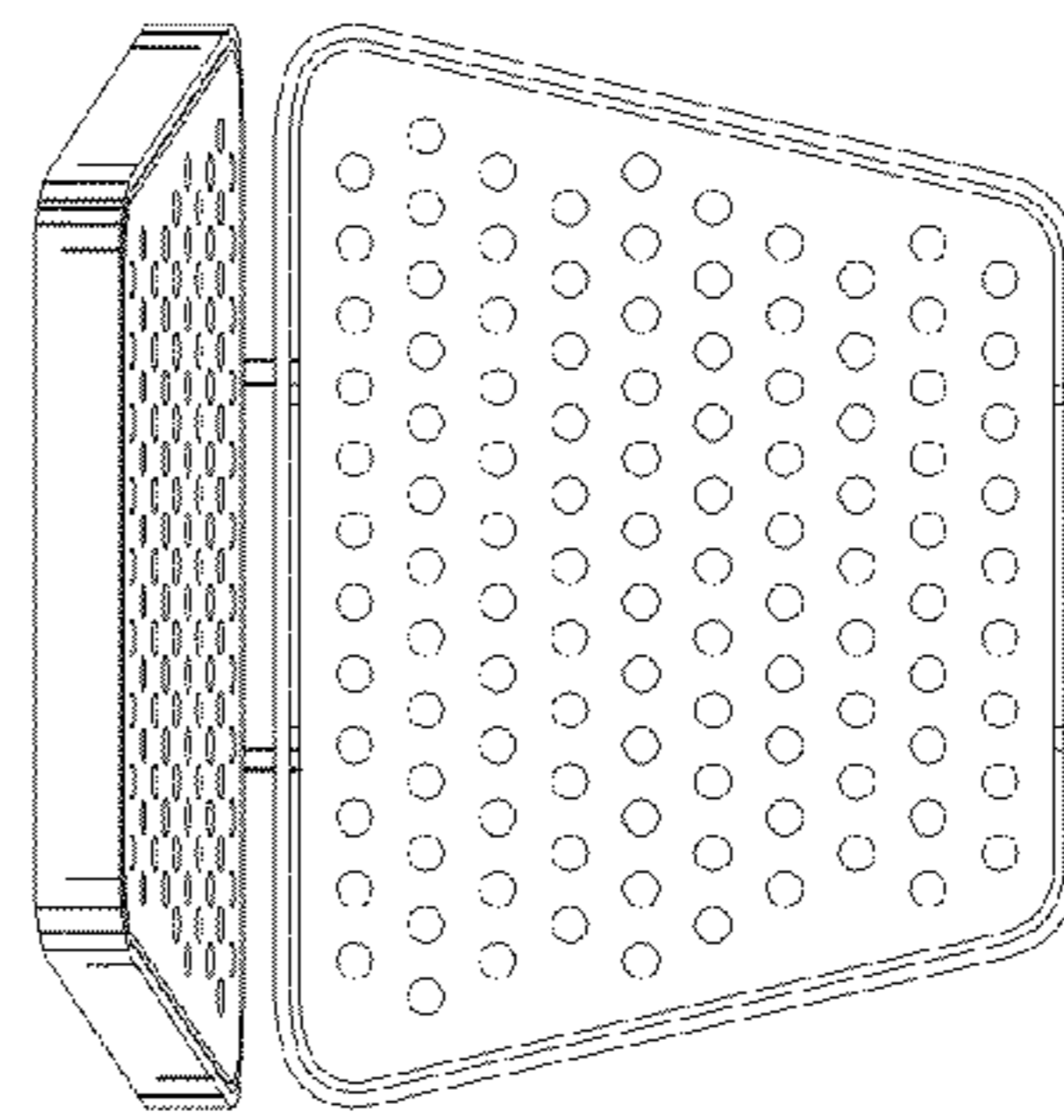


FIG. 5

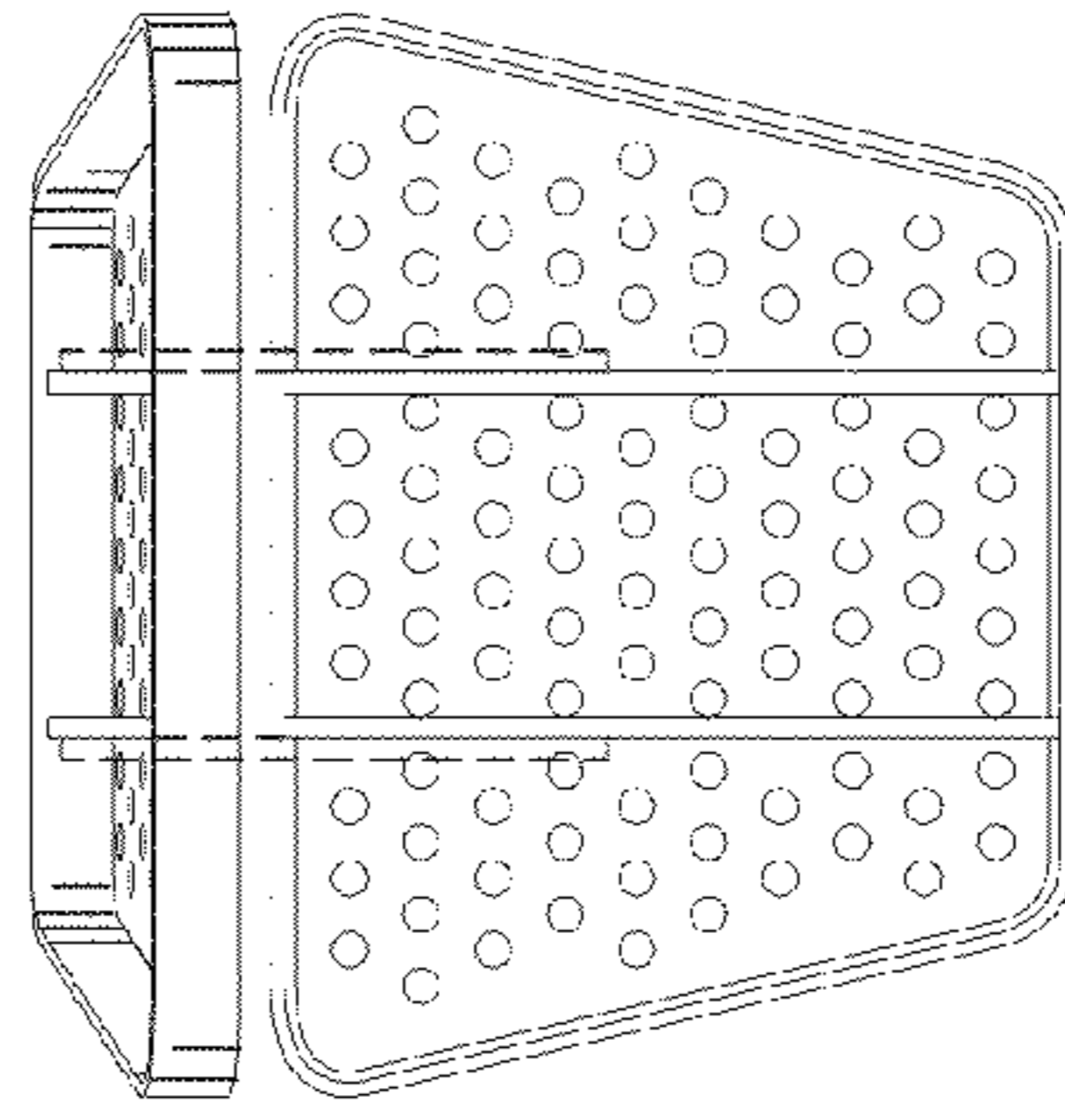


FIG. 6