



US00D697350S

(12) **United States Design Patent**
Skalka

(10) **Patent No.:** **US D697,350 S**
(45) **Date of Patent:** **** Jan. 14, 2014**

(54) **MODULAR SEAT COMPONENT**

(71) Applicant: **Victor Stanley, Inc.**, Dunkirk, MD (US)

(72) Inventor: **Gerald Skalka**, Potomac, MD (US)

(73) Assignee: **Victor Stanley, Inc.**, Dunkirk, MD (US)

(**) Term: **14 Years**

(21) Appl. No.: **29/461,061**

(22) Filed: **Jul. 18, 2013**

Related U.S. Application Data

(62) Division of application No. 29/397,523, filed on Jul. 18, 2011.

(51) **LOC (10) Cl.** **06-01**

(52) **U.S. Cl.**
USPC **D6/716.1**

(58) **Field of Classification Search**

USPC D6/335-338, 357, 369, 702, 716, 716.1,
D6/712, 708, 708.16, 708.17; 297/135,
297/157.1, 158.2, 158.3, 158.5, 174 R, 245
See application file for complete search history.

(56) **References Cited**

U.S. PATENT DOCUMENTS

D313,128 S 12/1990 Serafini
(Continued)

OTHER PUBLICATIONS

Victor Stanley, Inc. Steelsites(TM) Series RND-363 Table (2010).
(Continued)

Primary Examiner — Sandra Snapp

(74) *Attorney, Agent, or Firm* — Westerman, Hattori,
Daniels & Adrian, LLP

(57) **CLAIM**

The ornamental design for a modular seat component, as shown and described.

DESCRIPTION

FIG. 1 is an isometric view of a modular seat component showing a first embodiment of my new design.

FIG. 2 is a front elevational view of the modular seat component of FIG. 1.

FIG. 3 is a right side elevational view of the modular seat component of FIG. 1, the left side elevational view being a mirror image thereof.

FIG. 4 is a rear elevational view of the modular seat component of FIG. 1.

FIG. 5 is a top plan view of the modular seat component of FIG. 1.

FIG. 6 is a bottom plan view of the modular seat component of FIG. 1.

FIG. 7 is an isometric view of a modular seat component showing a second embodiment of my new design.

FIG. 8 is a front elevational view of the modular seat component of FIG. 7.

FIG. 9 is a right side elevational view of the modular seat component of FIG. 7, the left side elevational view being a mirror image thereof.

FIG. 10 is a rear elevational view of the modular seat component of FIG. 7.

FIG. 11 is a top plan view of the modular seat component of FIG. 7.

FIG. 12 is a bottom plan view of the modular seat component of FIG. 7.

FIG. 13 is an isometric view of a modular seat component showing a third embodiment of my new design.

FIG. 14 is a front elevational view of the modular seat component of FIG. 13.

FIG. 15 is a right side elevational view of the modular seat component of FIG. 13, the left side elevational view being a mirror image thereof.

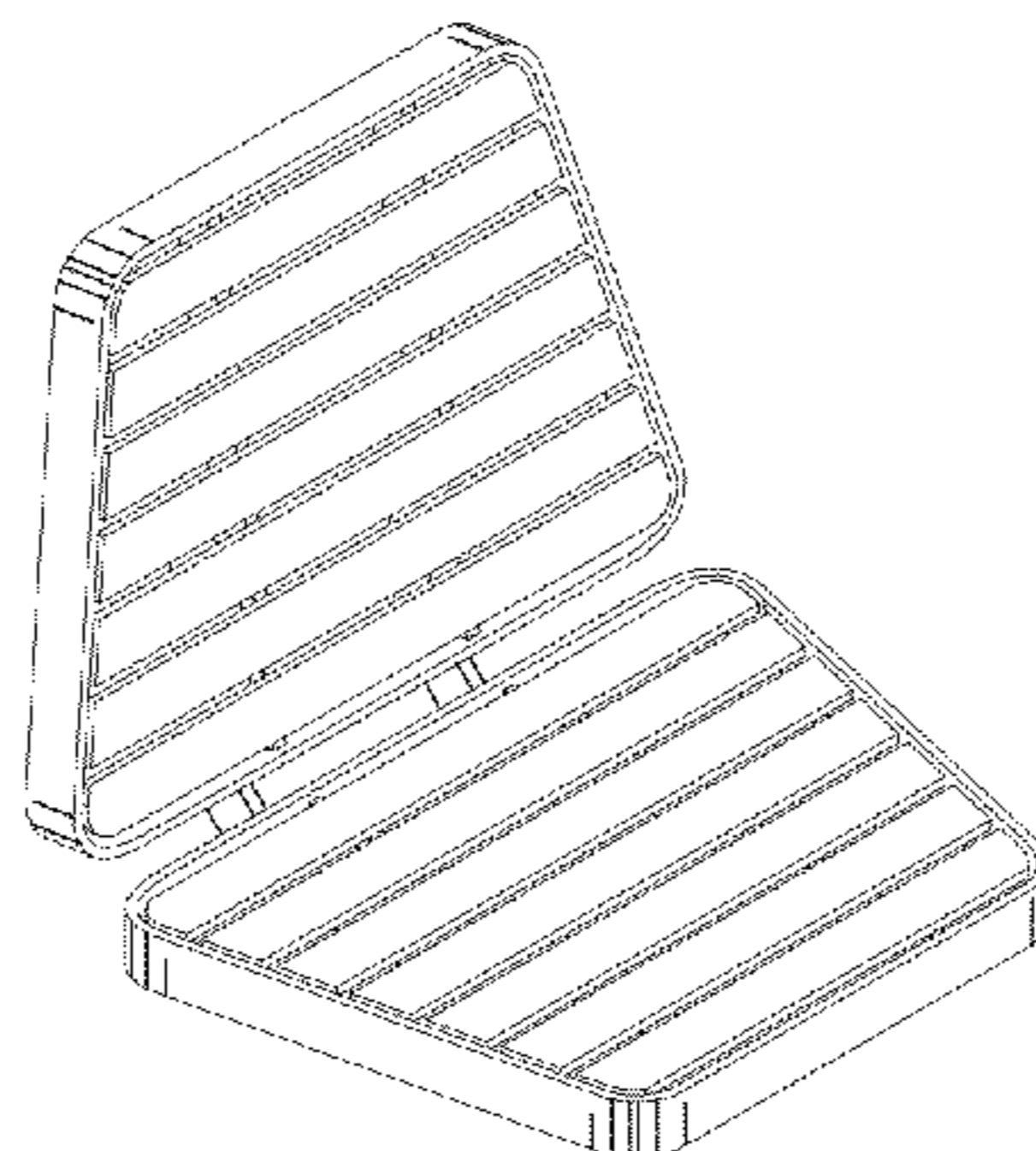
FIG. 16 is a rear elevational view of the modular seat component of FIG. 13.

FIG. 17 is a top plan view of the modular seat component of FIG. 13; and,

FIG. 18 is a bottom plan view of the modular seat component of FIG. 13.

The broken line showing of brackets in FIGS. 1-18 is included for the purpose of illustrating use and environment and forms no part of the claimed design.

1 Claim, 3 Drawing Sheets



(56)

References Cited

U.S. PATENT DOCUMENTS

D365,937	S *	1/1996	Skalka	D6/370
D396,358	S *	7/1998	Geier	D6/349
D413,734	S	9/1999	Bue	
D448,938	S	10/2001	Ng et al.	
D453,424	S *	2/2002	Stewart	D6/349
D457,738	S *	5/2002	Slear et al.	D6/355
D478,732	S	8/2003	Pajerski et al.	
D479,406	S	9/2003	Pajerski et al.	
D479,773	S	9/2003	Pajerski et al.	
D522,775	S *	6/2006	Skalka	D6/495
D523,650	S *	6/2006	Skalka	D6/349
D526,805	S *	8/2006	Skalka	D6/381
D536,184	S *	2/2007	Skalka	D6/349
7,252,331	B1 *	8/2007	Walton	297/232
D595,973	S *	7/2009	Skalka	D6/381
D599,570	S *	9/2009	Skalka	D6/355
D604,520	S	11/2009	Wegman	
D604,521	S	11/2009	Wegman	
D604,522	S	11/2009	Wegman	
D604,523	S	11/2009	Wegman	
D621,629	S	8/2010	Weimer et al.	

OTHER PUBLICATIONS

Victor Stanley, Inc. Steelsites(TM) Series CRPR-4 Table (2010).
 Victor Stanley, Inc. Steelsites(TM) Series Benches and Seating Brochure (2010).
 Victor Stanley, Inc. Streetsites(TM) Series Brochure (2010).
 U.S. Appl. No. 29/397,524, filed Jul. 18, 2011, Gerald P. Skalka.
 U.S. Appl. No. 29/447,565, filed Mar. 5, 2013, Gerald P. Skalka.
 U.S. Appl. No. 29/447,569, filed Mar. 5, 2013, Gerald P. Skalka.
 U.S. Appl. No. 29/447,575, filed Mar. 5, 2013, Gerald P. Skalka.
 U.S. Appl. No. 29/447,580, filed Mar. 5, 2013, Gerald P. Skalka.
 U.S. Appl. No. 29/447,581, filed Mar. 5, 2013, Gerald P. Skalka.
 U.S. Appl. No. 29/397,523, filed Jul. 18, 2011, Gerald P. Skalka.
 U.S. Appl. No. 29/461,061, filed Jul. 18, 2013, Gerald P. Skalka.
 U.S. Appl. No. 29/461,063, filed Jul. 18, 2013, Gerald P. Skalka.
 U.S. Appl. No. 29/461,064, filed Jul. 18, 2013, Gerald P. Skalka.
 U.S. Appl. No. 29/461,065, filed Jul. 18, 2013, Gerald P. Skalka.
 U.S. Appl. No. 29/461,066, filed Jul. 18, 2013, Gerald P. Skalka.
 U.S. Appl. No. 29/397,507, filed Jul. 18, 2013, Gerald P. Skalka.

* cited by examiner

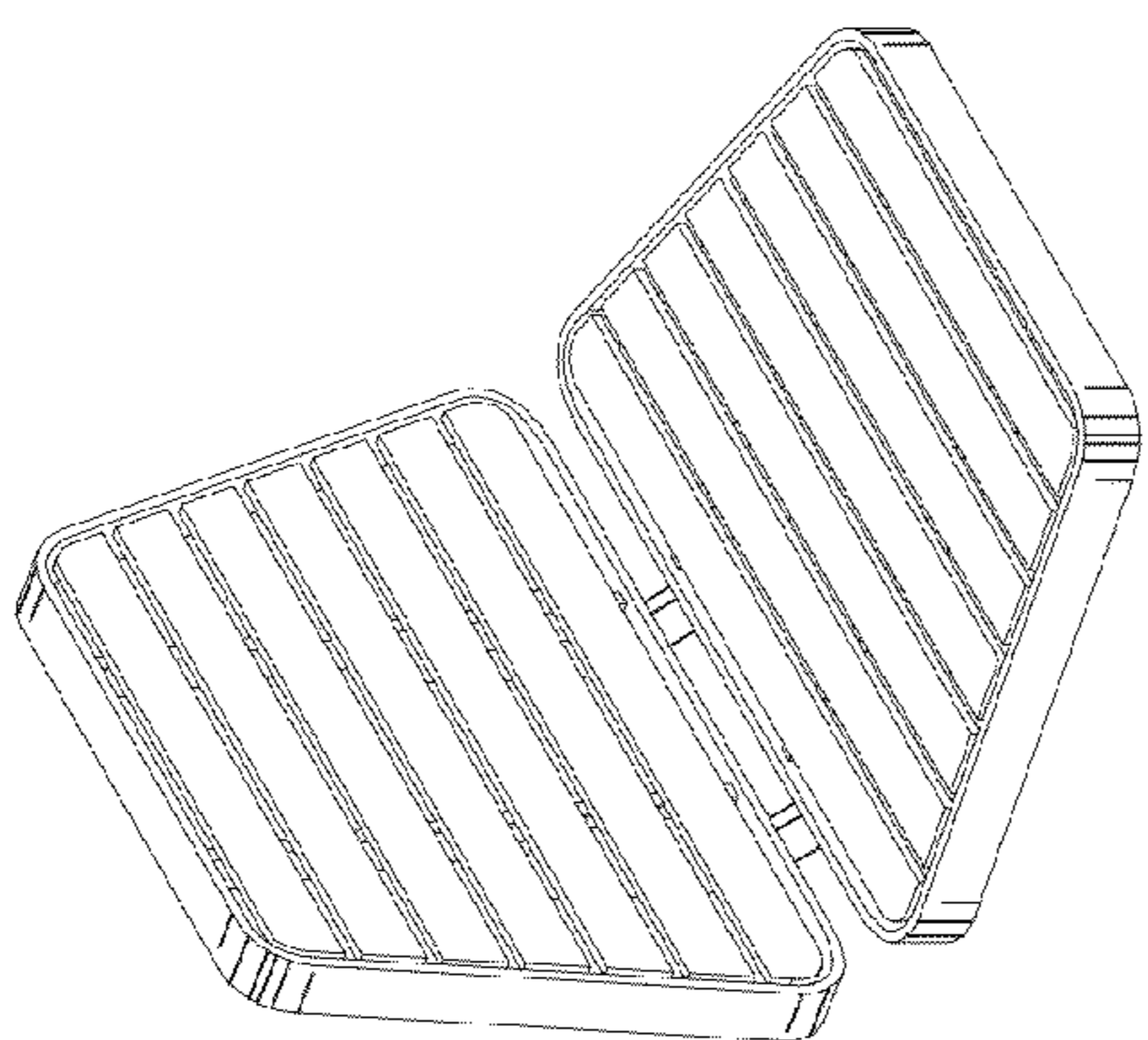


FIG. 1

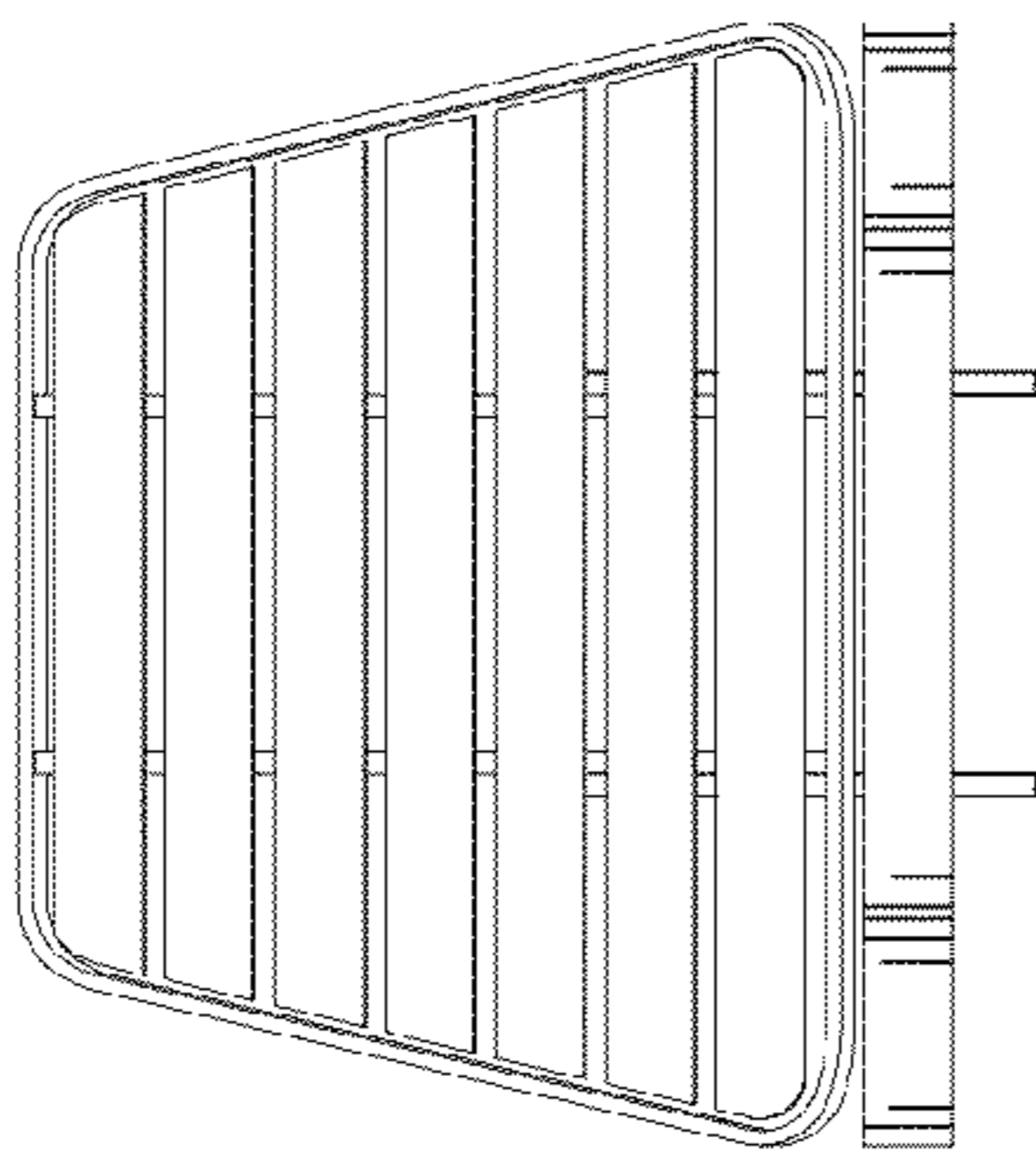


FIG. 2

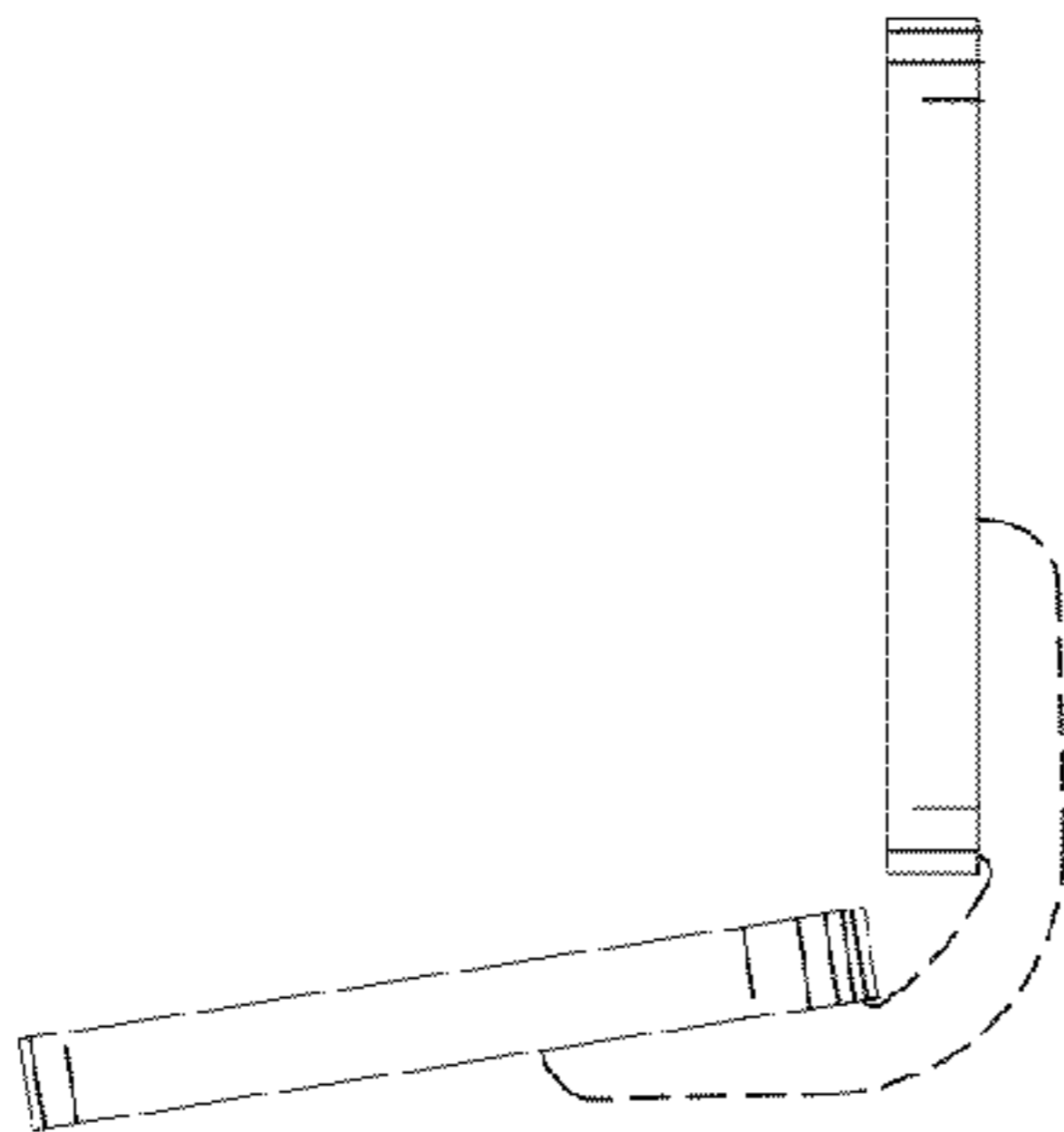


FIG. 3

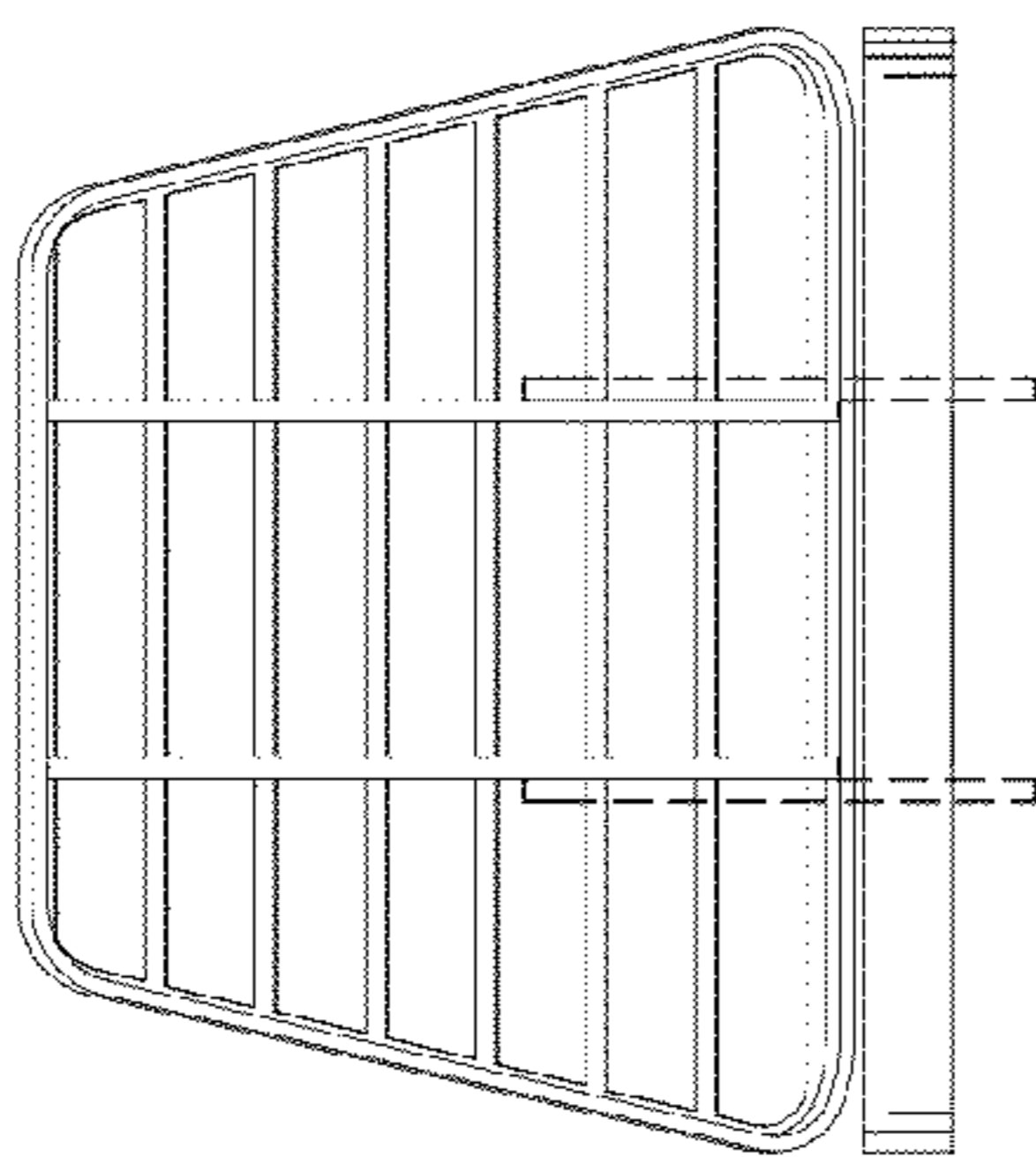


FIG. 4

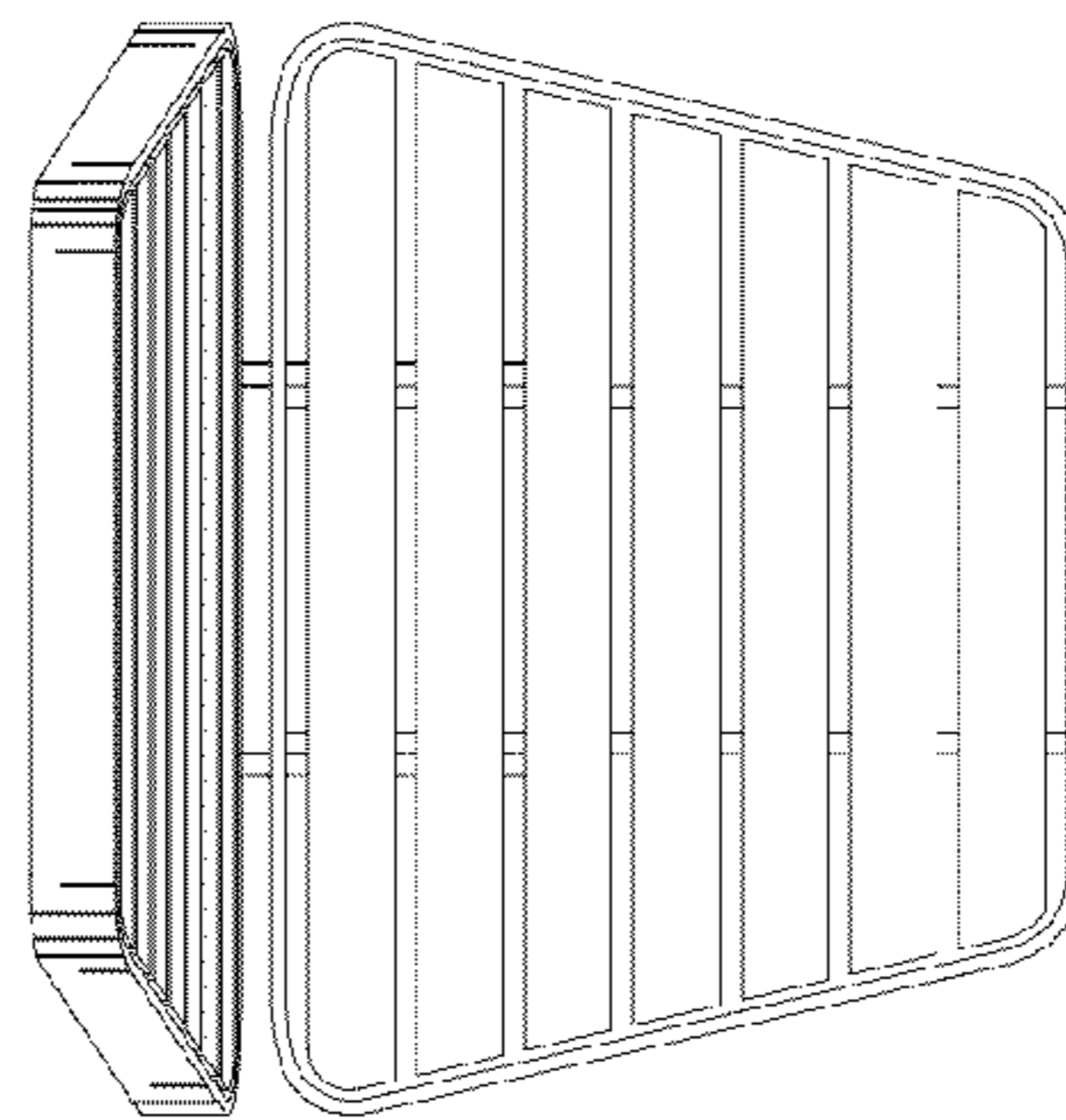


FIG. 5

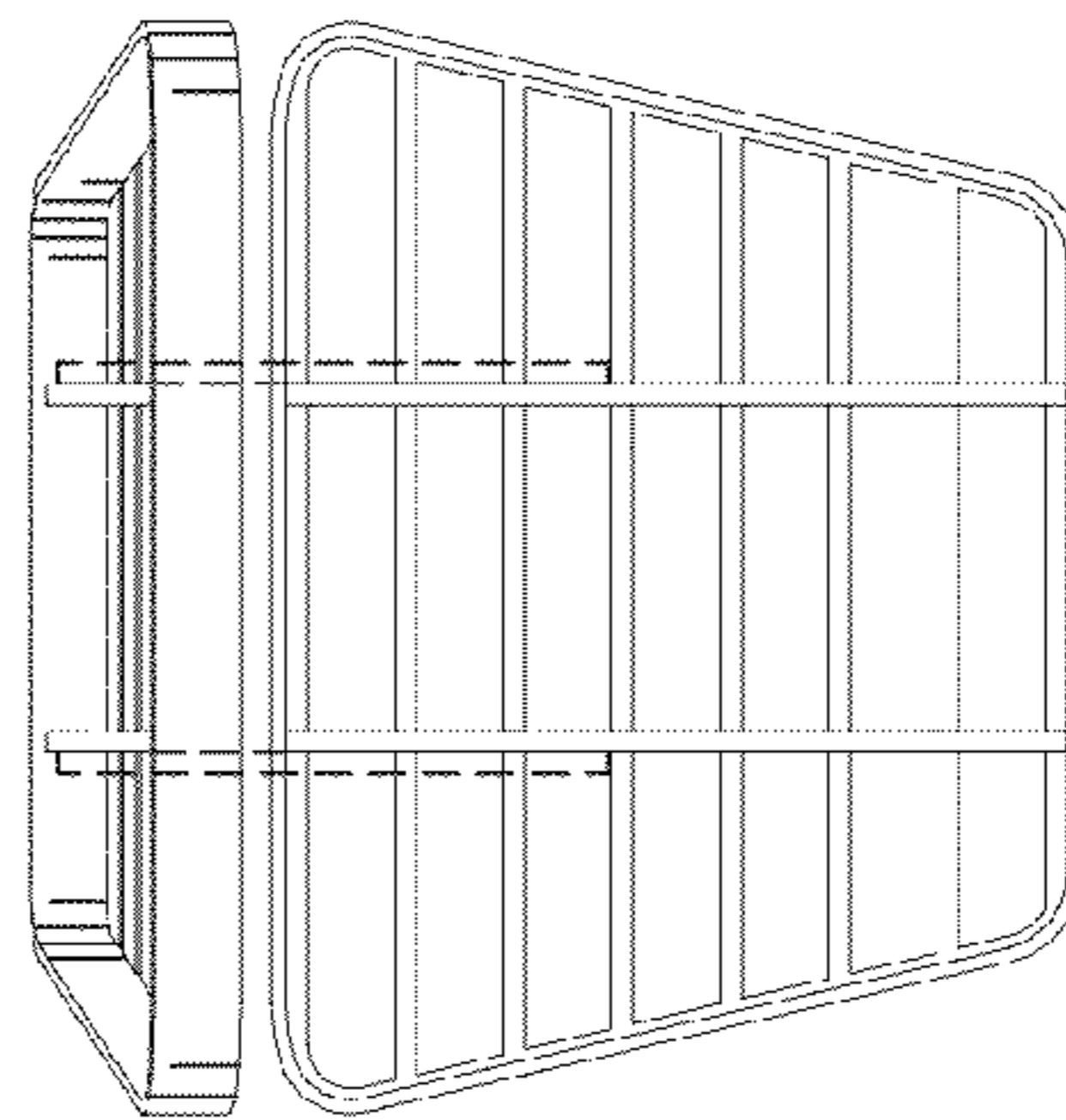


FIG. 6

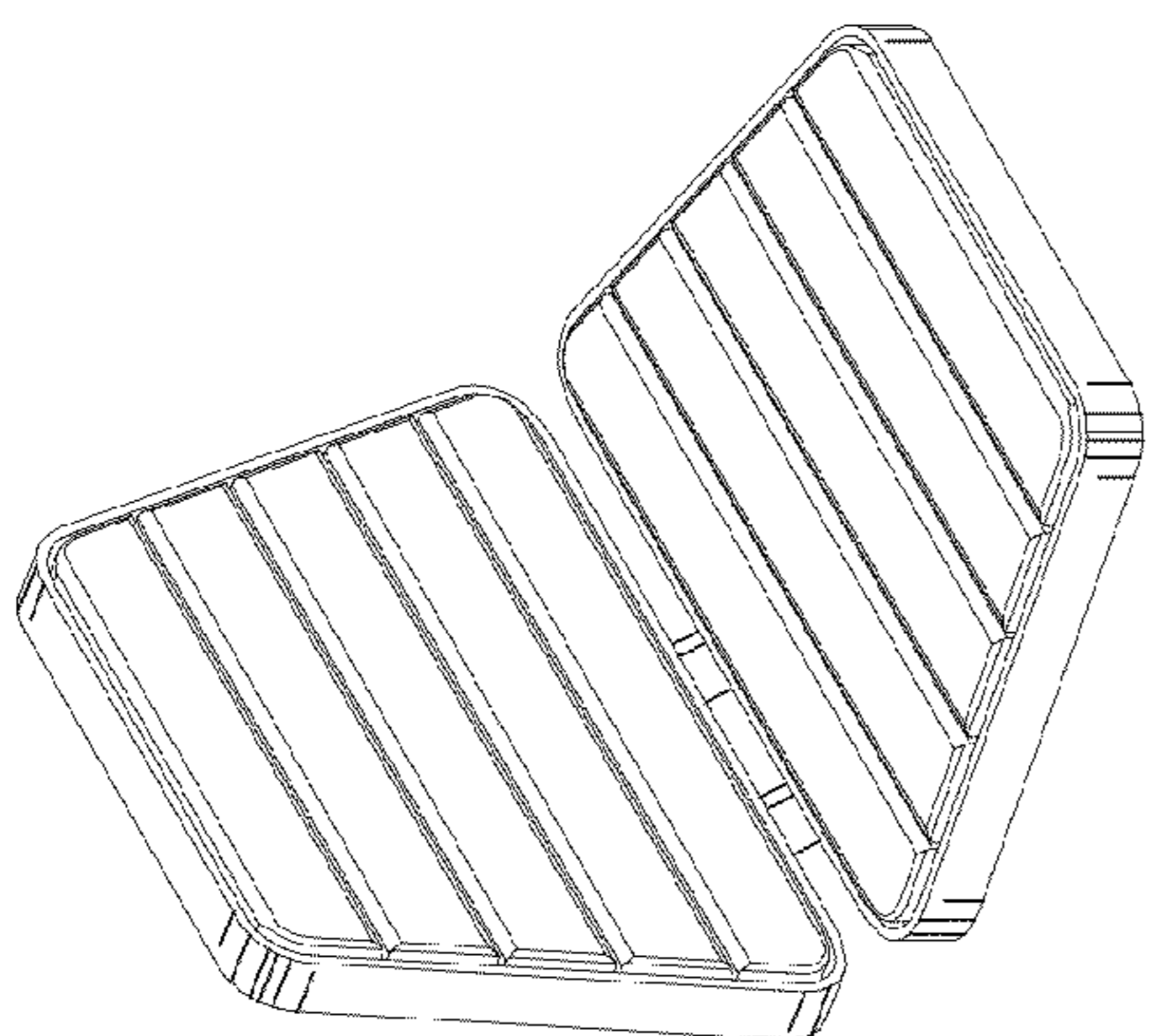


FIG. 7

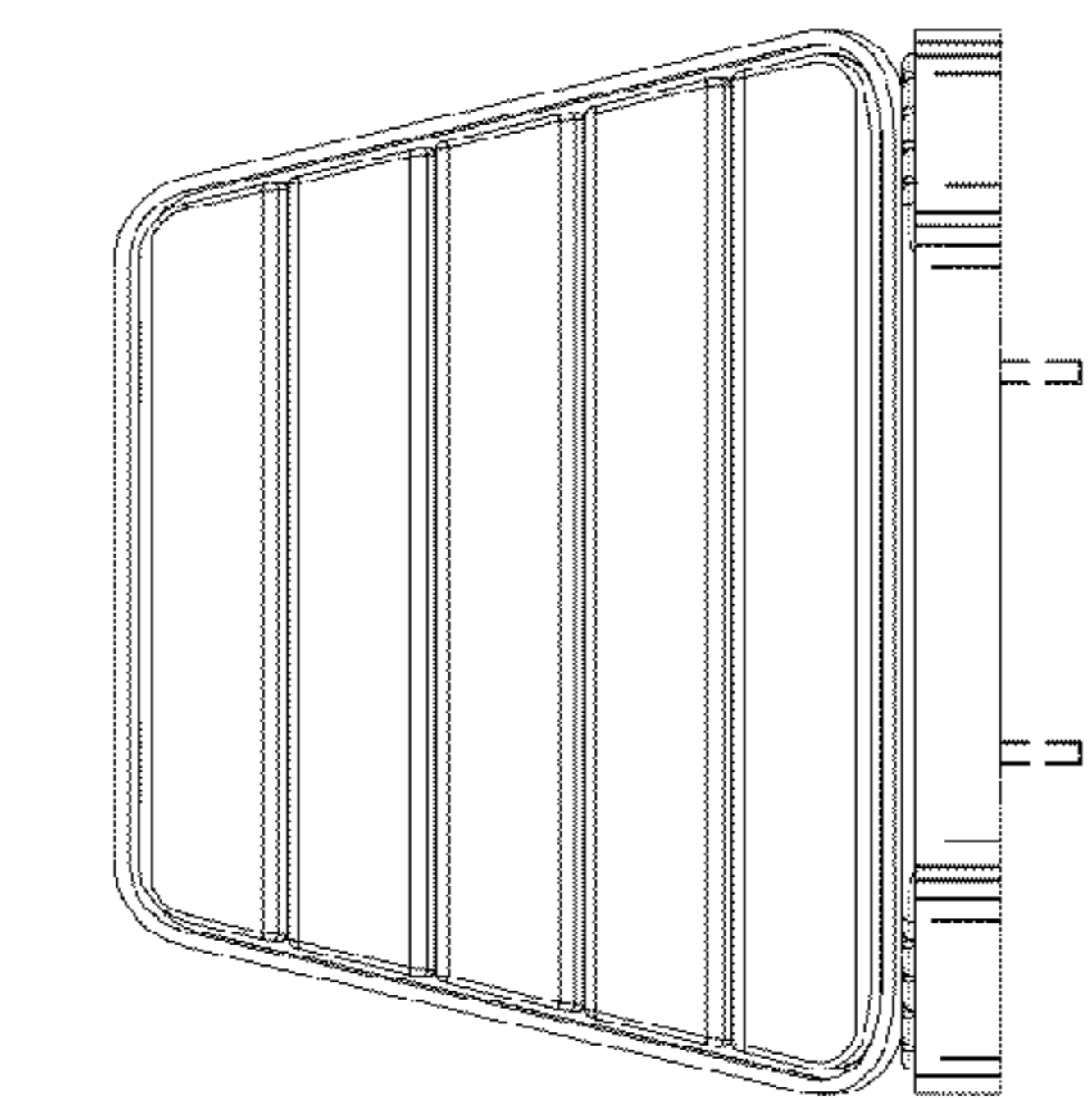


FIG. 8

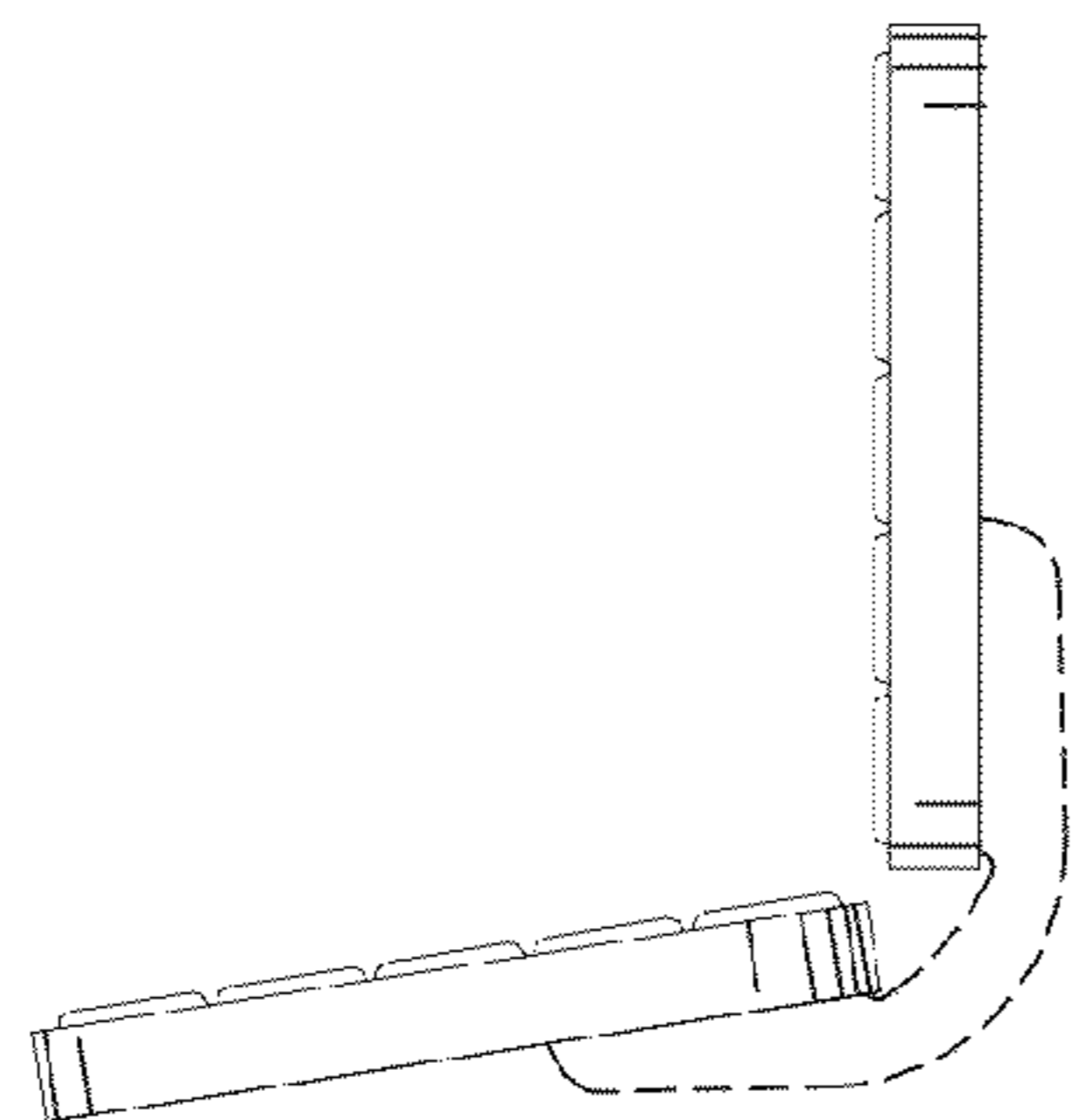


FIG. 9

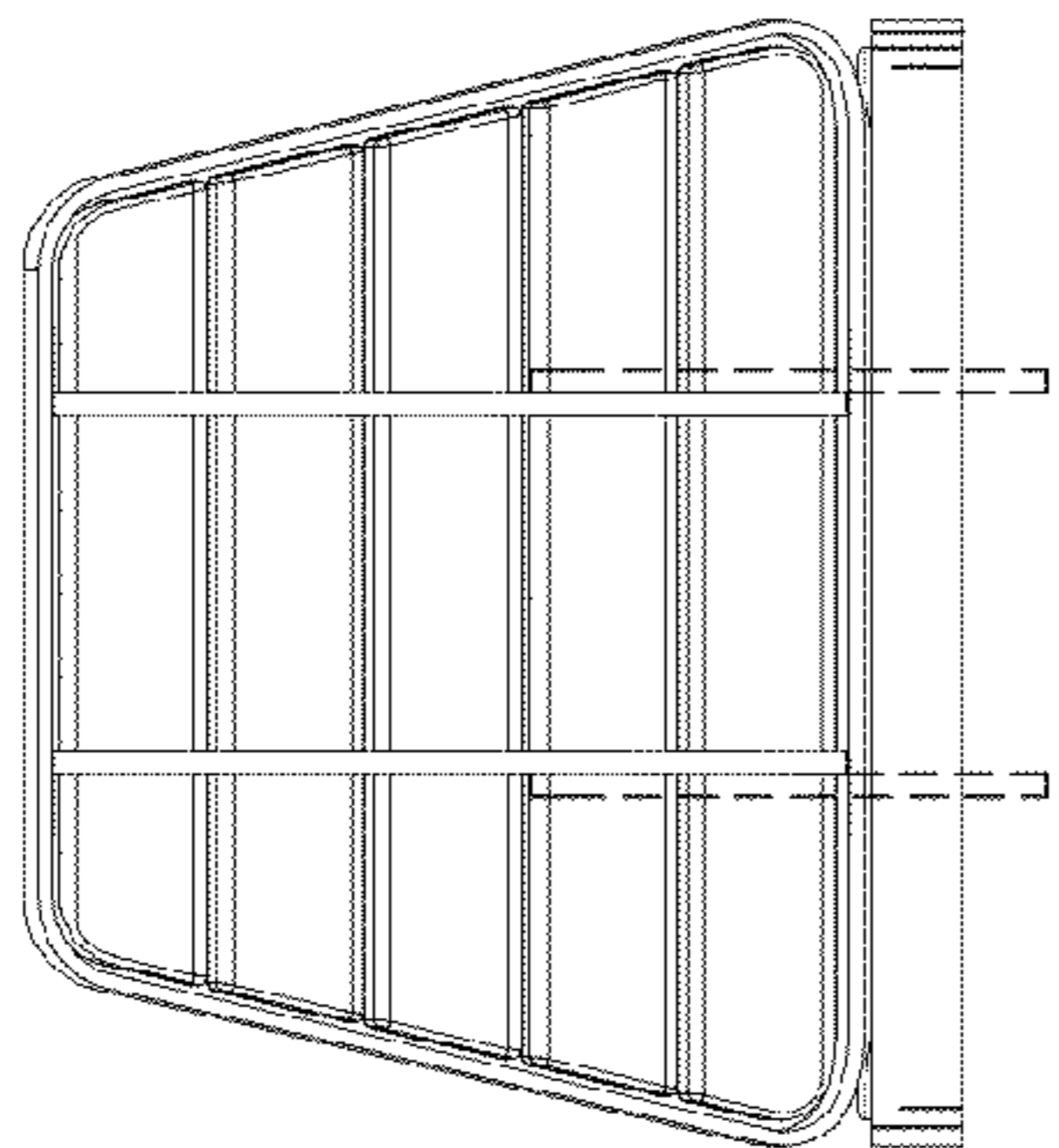


FIG. 10

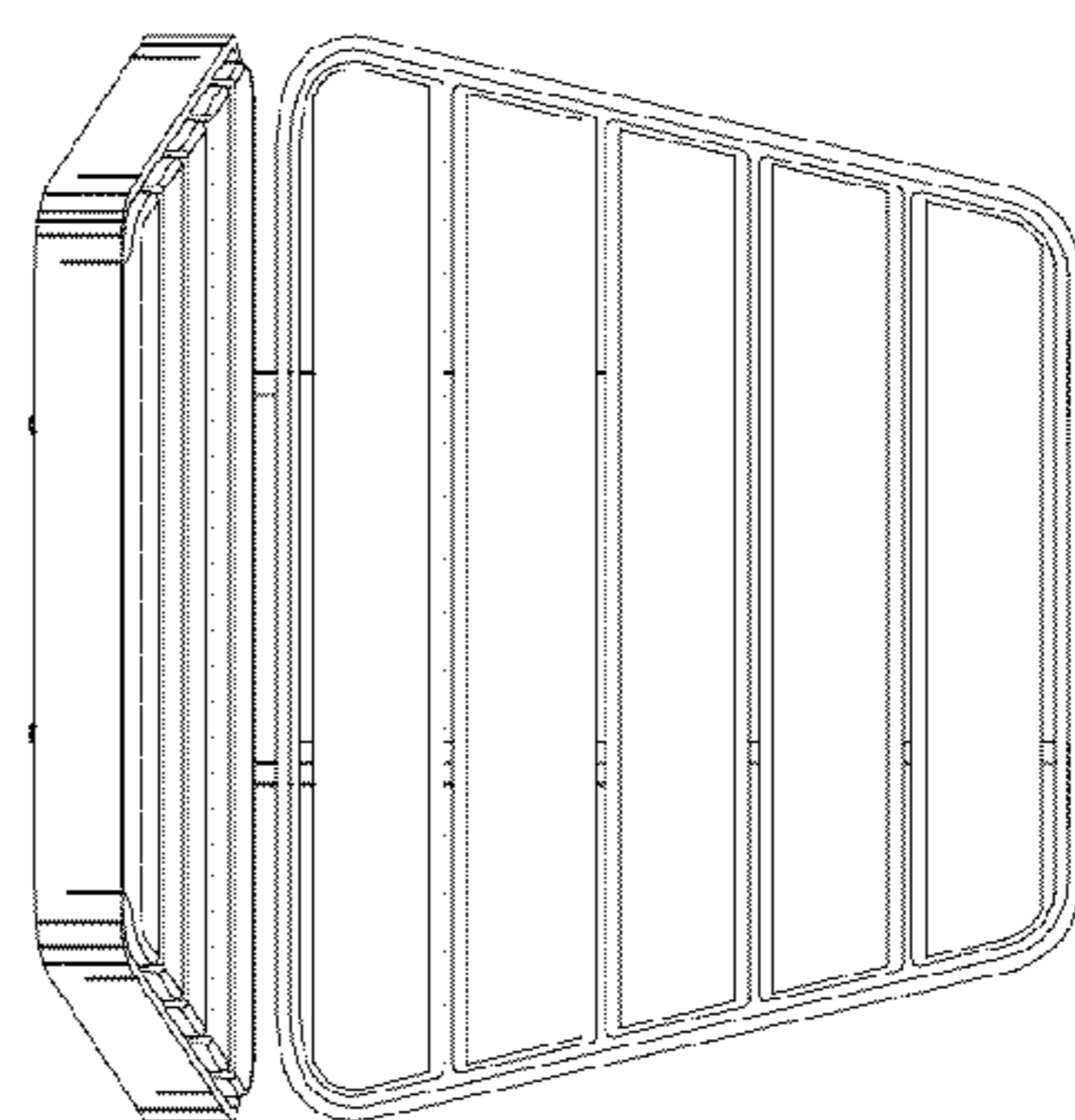


FIG. 11

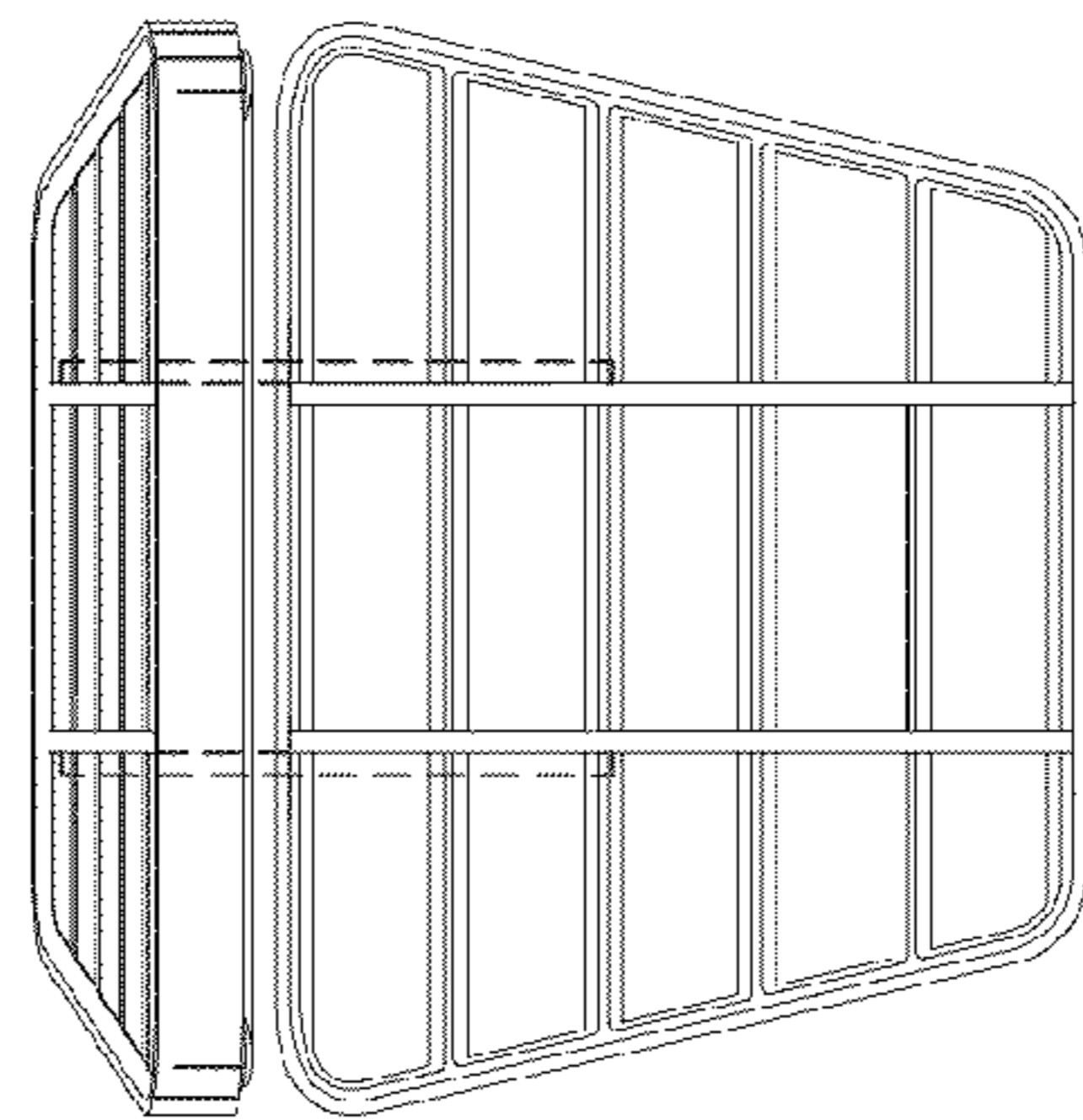


FIG. 12

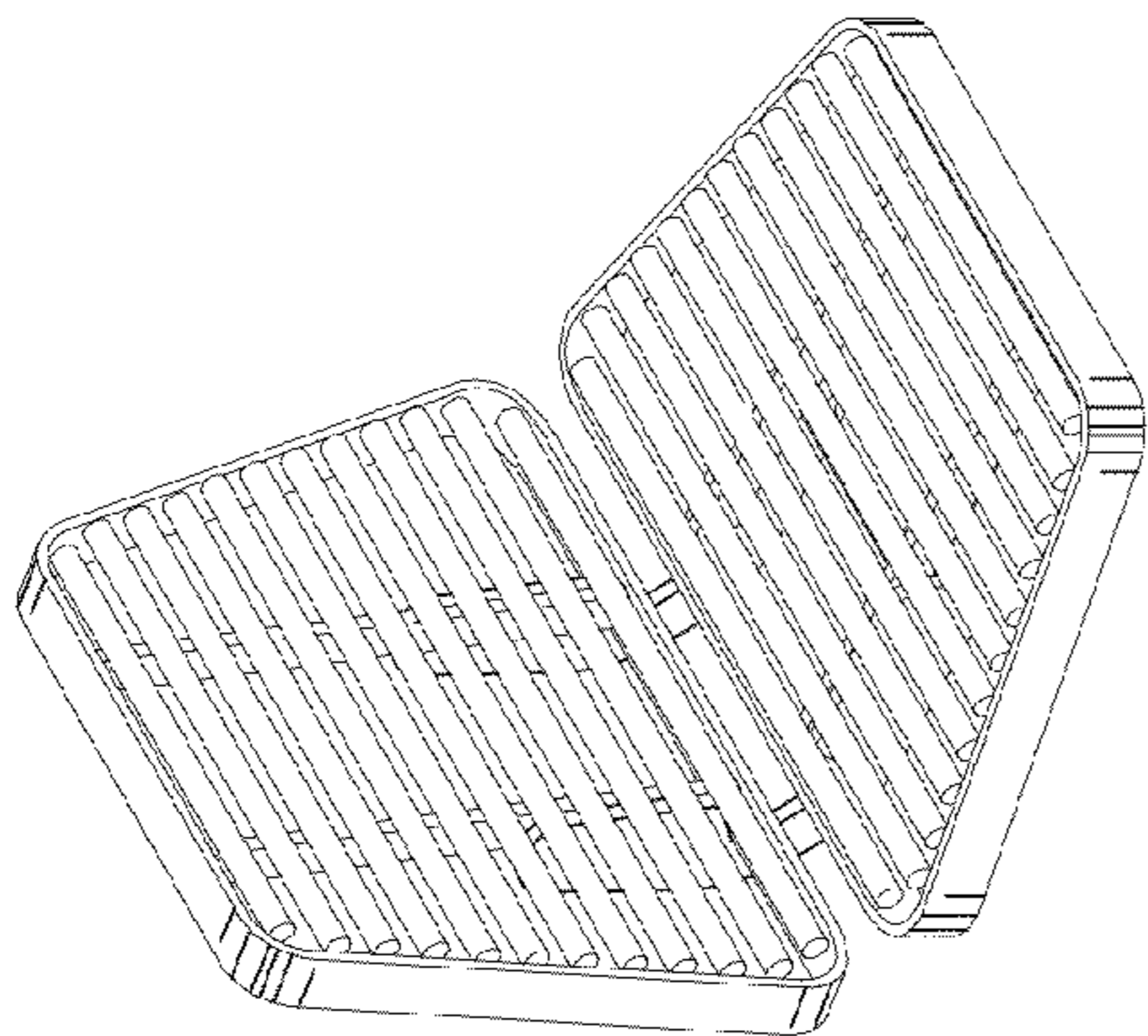


FIG. 13

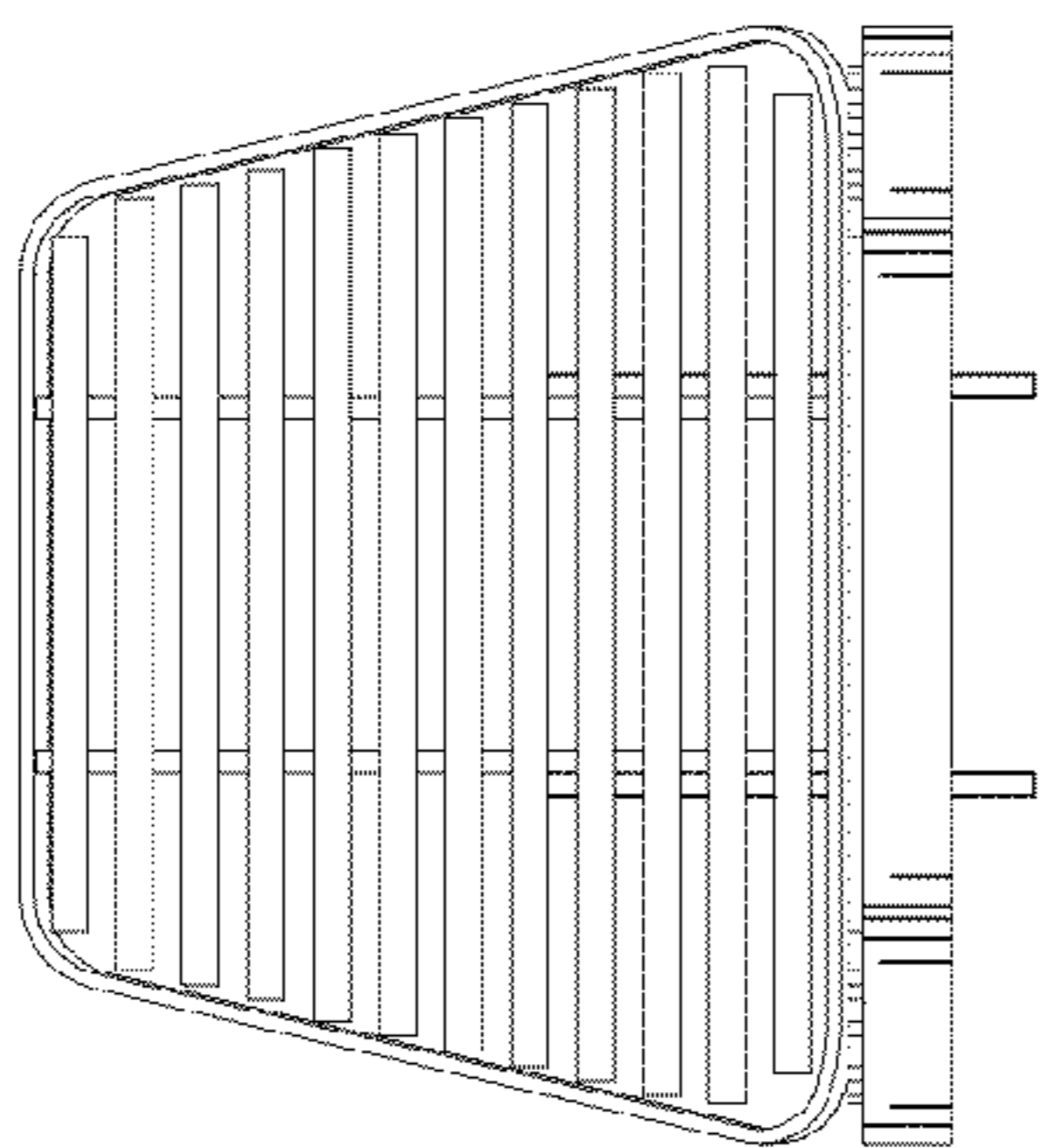


FIG. 14

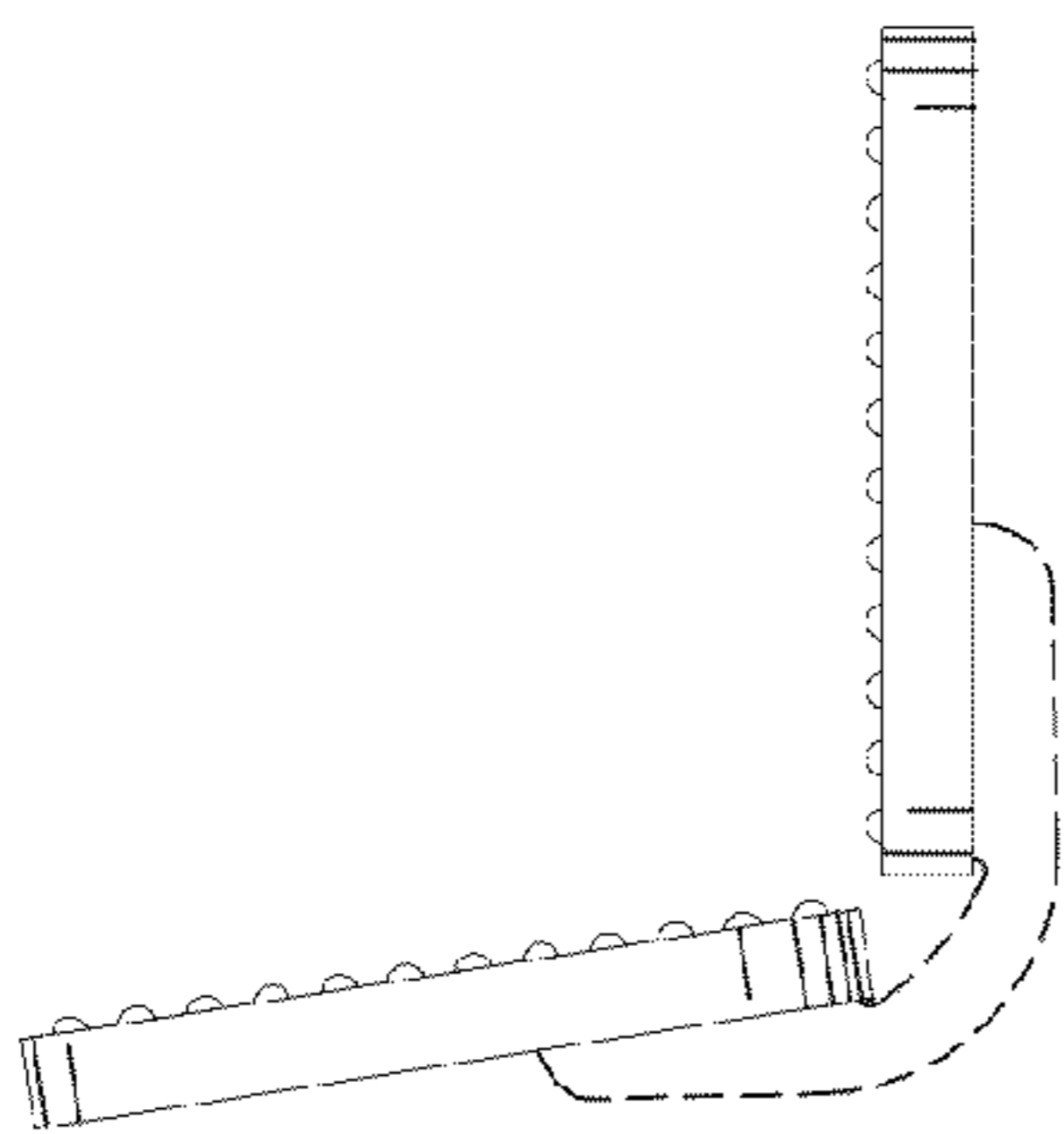


FIG. 15

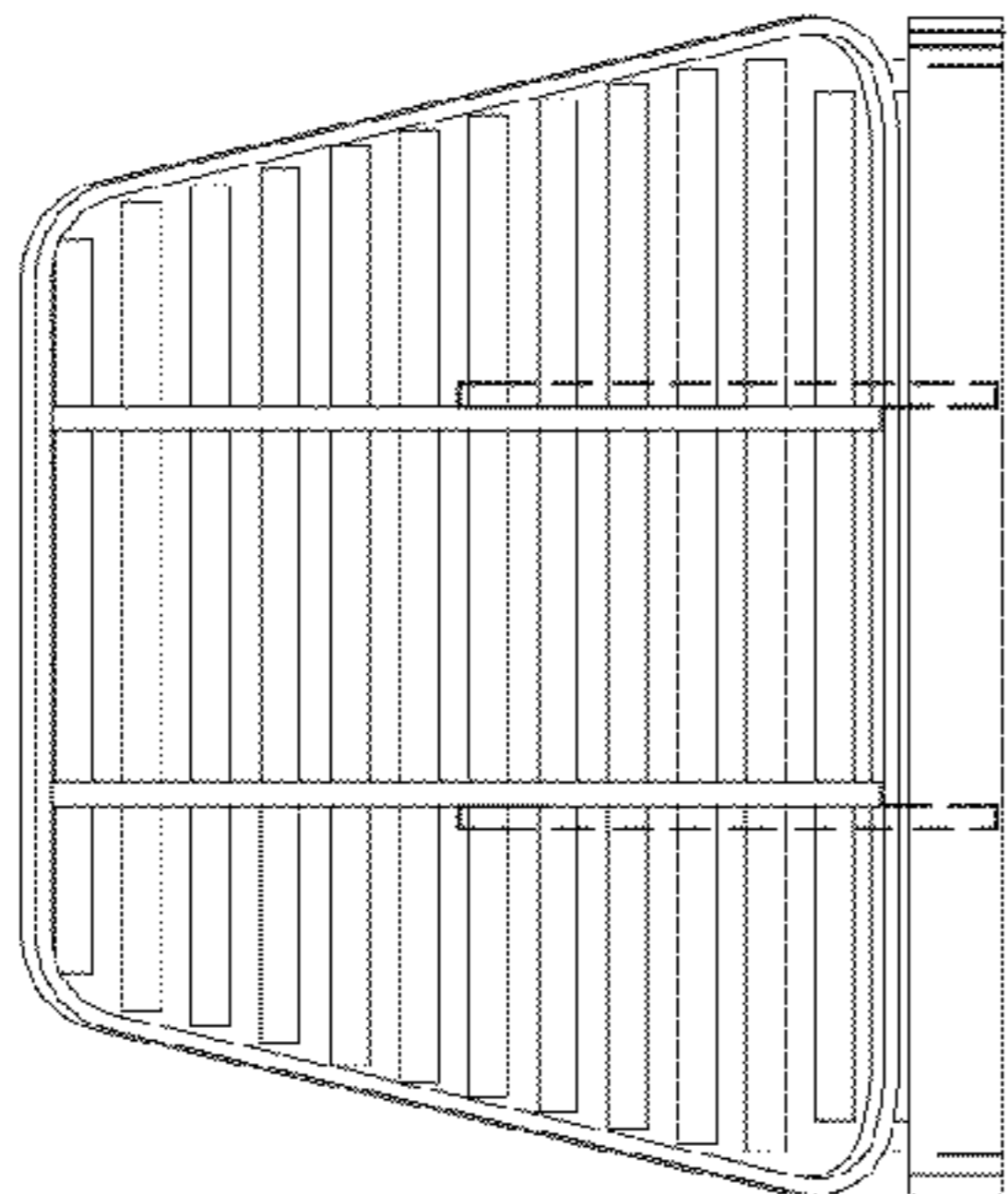


FIG. 16

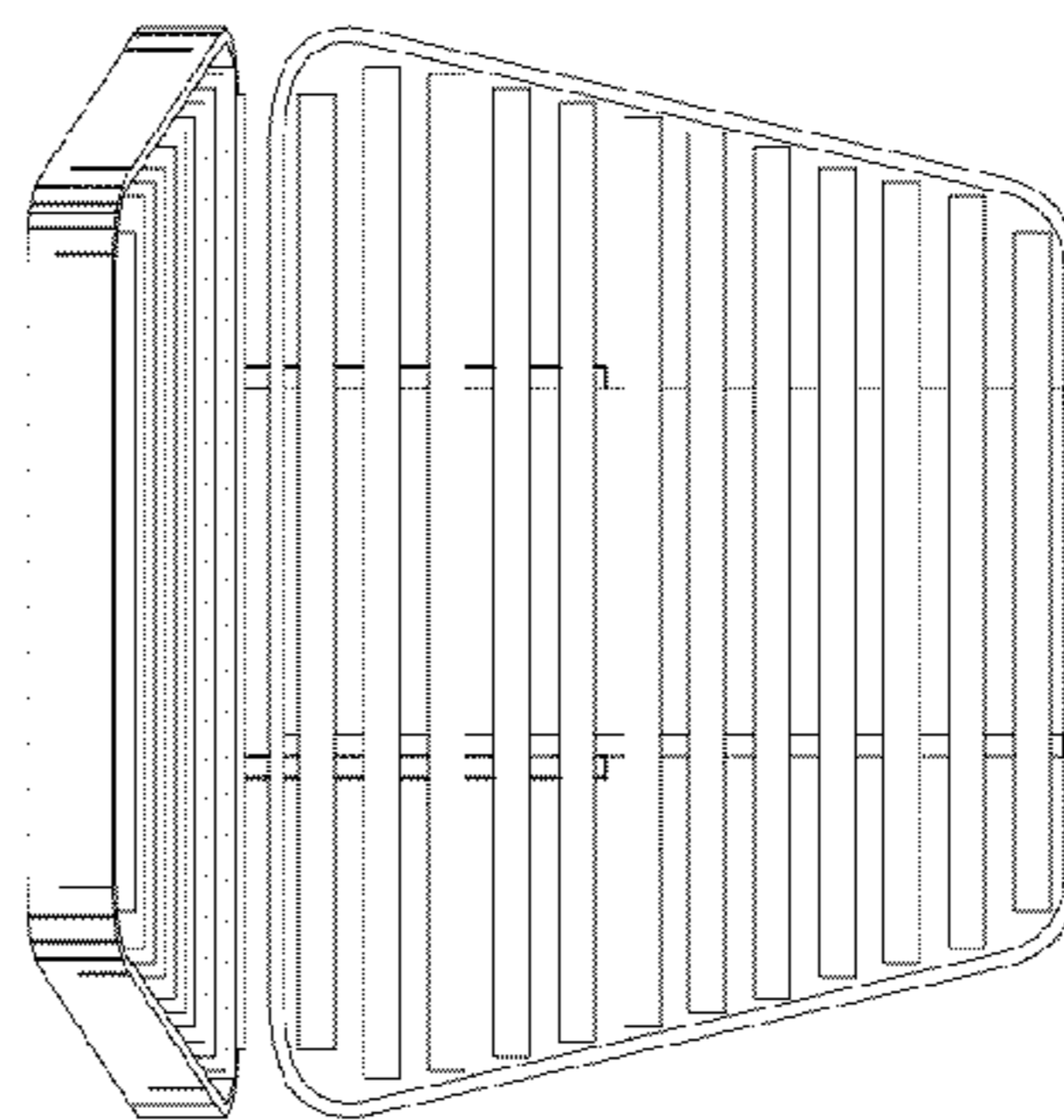


FIG. 17

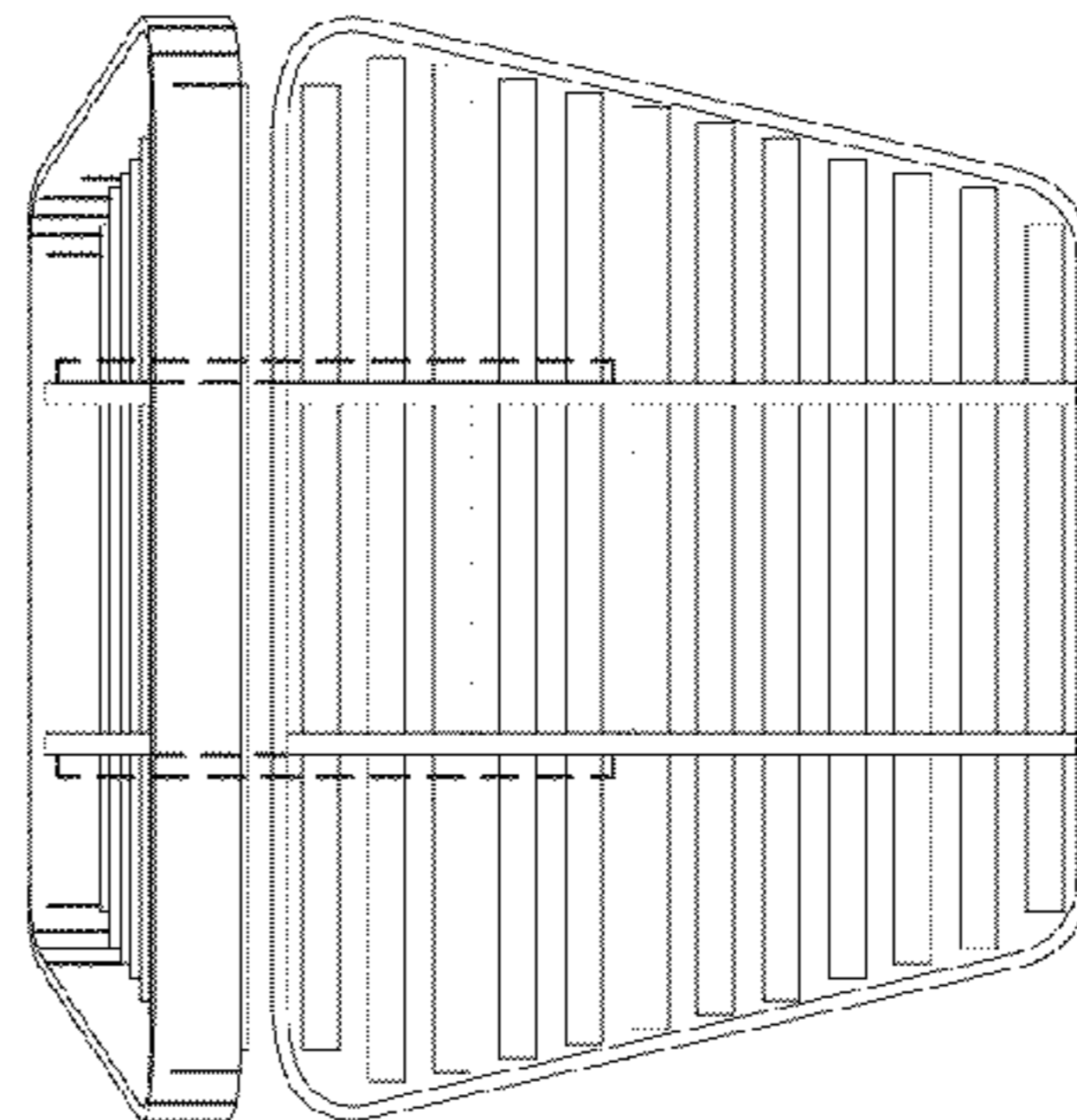


FIG. 18