



US00D697349S

(12) **United States Design Patent**
Weidler

(10) **Patent No.:** **US D697,349 S**
(45) **Date of Patent:** **** Jan. 14, 2014**

(54) **COFFEE TABLE**

(56) **References Cited**

(71) Applicant: **Robert Craig Weidler**, Mableton, GA
(US)

U.S. PATENT DOCUMENTS

(72) Inventor: **Robert Craig Weidler**, Mableton, GA
(US)

D293,400	S	*	12/1987	Stewart	D6/487
D303,741	S	*	10/1989	Lefkowitz	D6/495
5,411,717	A	*	5/1995	Peddicord et al.	422/275
D486,665	S	*	2/2004	Weaver	D6/382
D488,007	S	*	4/2004	Cronk et al.	D6/495
D661,127	S	*	6/2012	Arko et al.	D6/480

(**) Term: **14 Years**

* cited by examiner

(21) Appl. No.: **29/458,517**

Primary Examiner — Janice Seeger

(22) Filed: **Jun. 20, 2013**

(74) *Attorney, Agent, or Firm* — E J Asbury III, LLC

Related U.S. Application Data

(57) **CLAIM**

The ornamental design for a coffee table, as shown.

(63) Continuation of application No. 29/416,510, filed on
Mar. 22, 2012, now abandoned.

DESCRIPTION

(51) **LOC (10) Cl.** **06-06**

FIG. 1 is a side perspective view of the coffee table;

(52) **U.S. Cl.**

FIG. 2 is a front view;

USPC **D6/708.16**

FIG. 3 is a back view;

(58) **Field of Classification Search**

USPC D6/691.6, 691.7, 692.4, 692.5, 693.1,
D6/696.3, 697.1, 708, 708.16; 108/150,
108/153.1, 155, 157, 161; 248/188, 188.8,
248/188.7

FIG. 4 is a left side view;

FIG. 5 is a right side view;

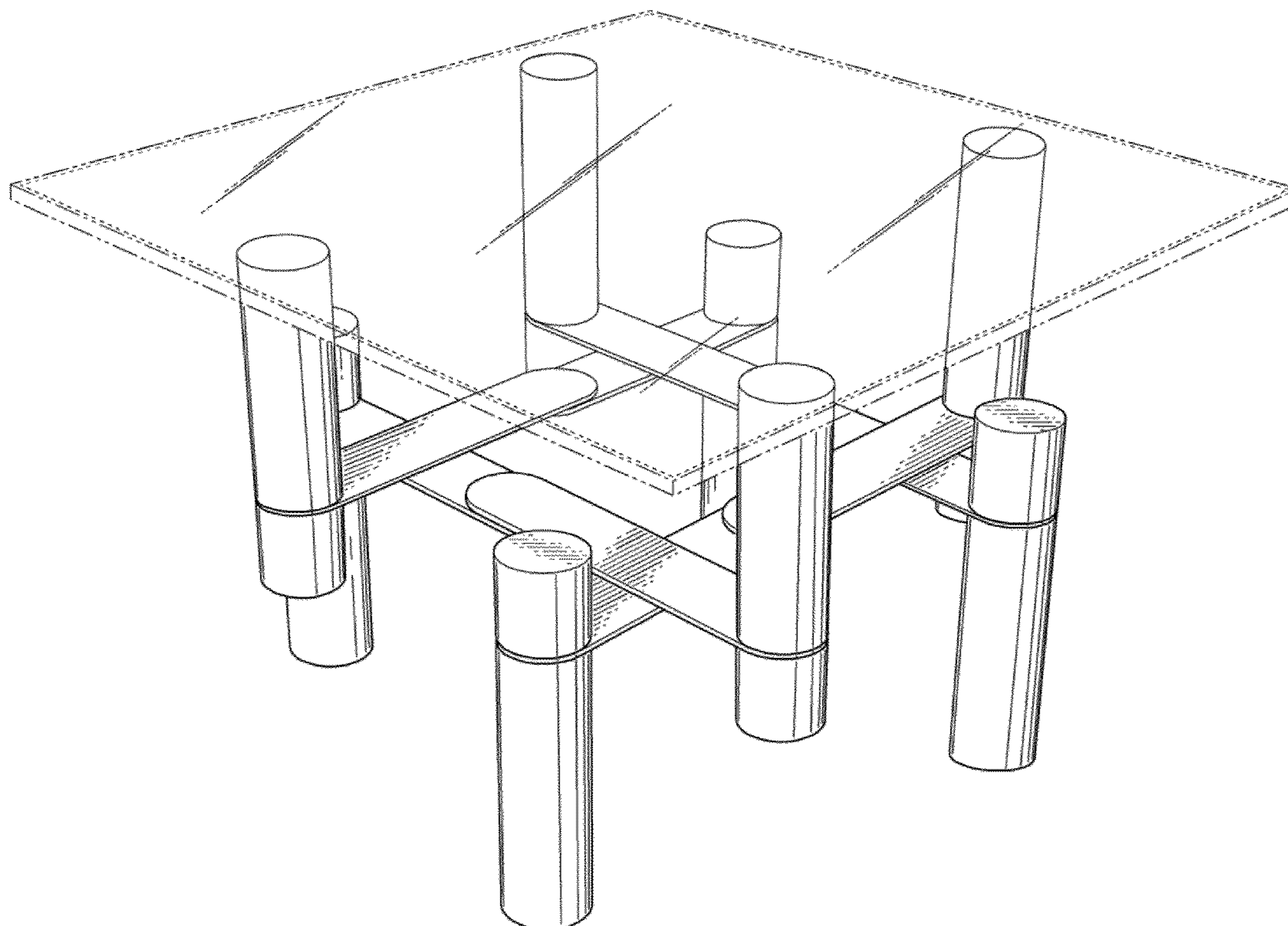
FIG. 6 is a top view; and,

FIG. 7 is a bottom view.

The broken lines shown in FIGS. 1-7 show environmental
structure and form no part of the claimed design.

See application file for complete search history.

1 Claim, 5 Drawing Sheets



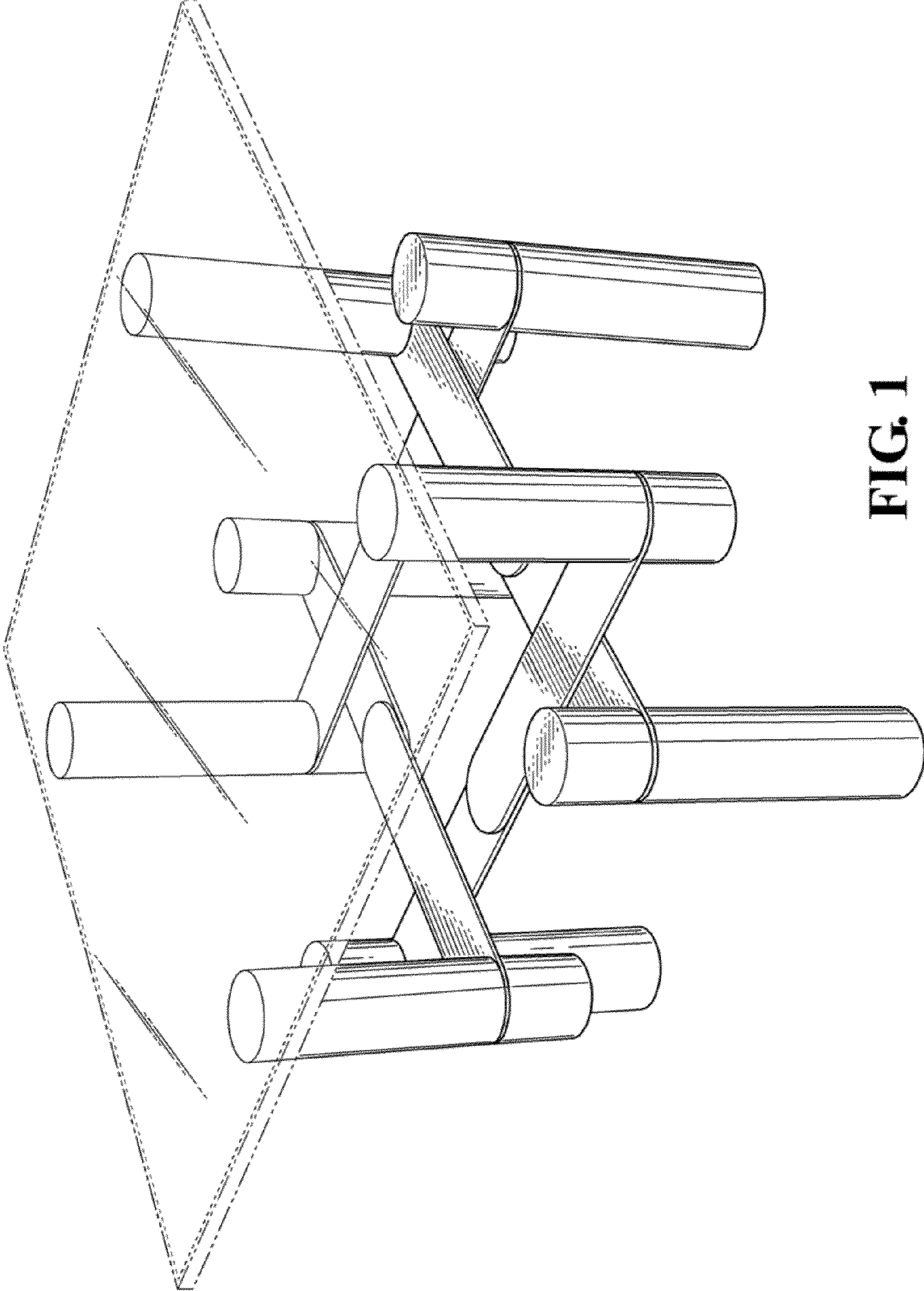


FIG. 1

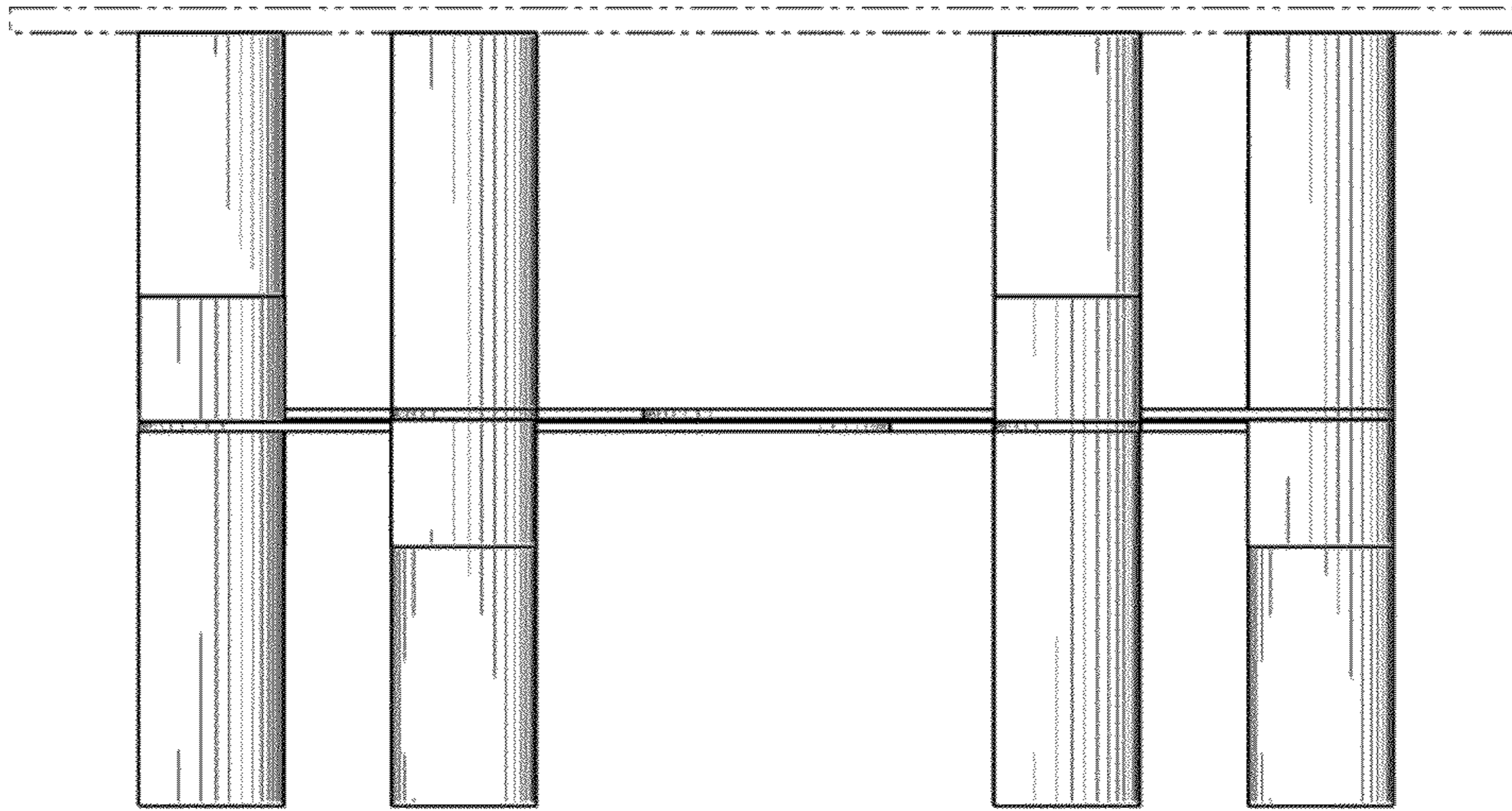


FIG. 2

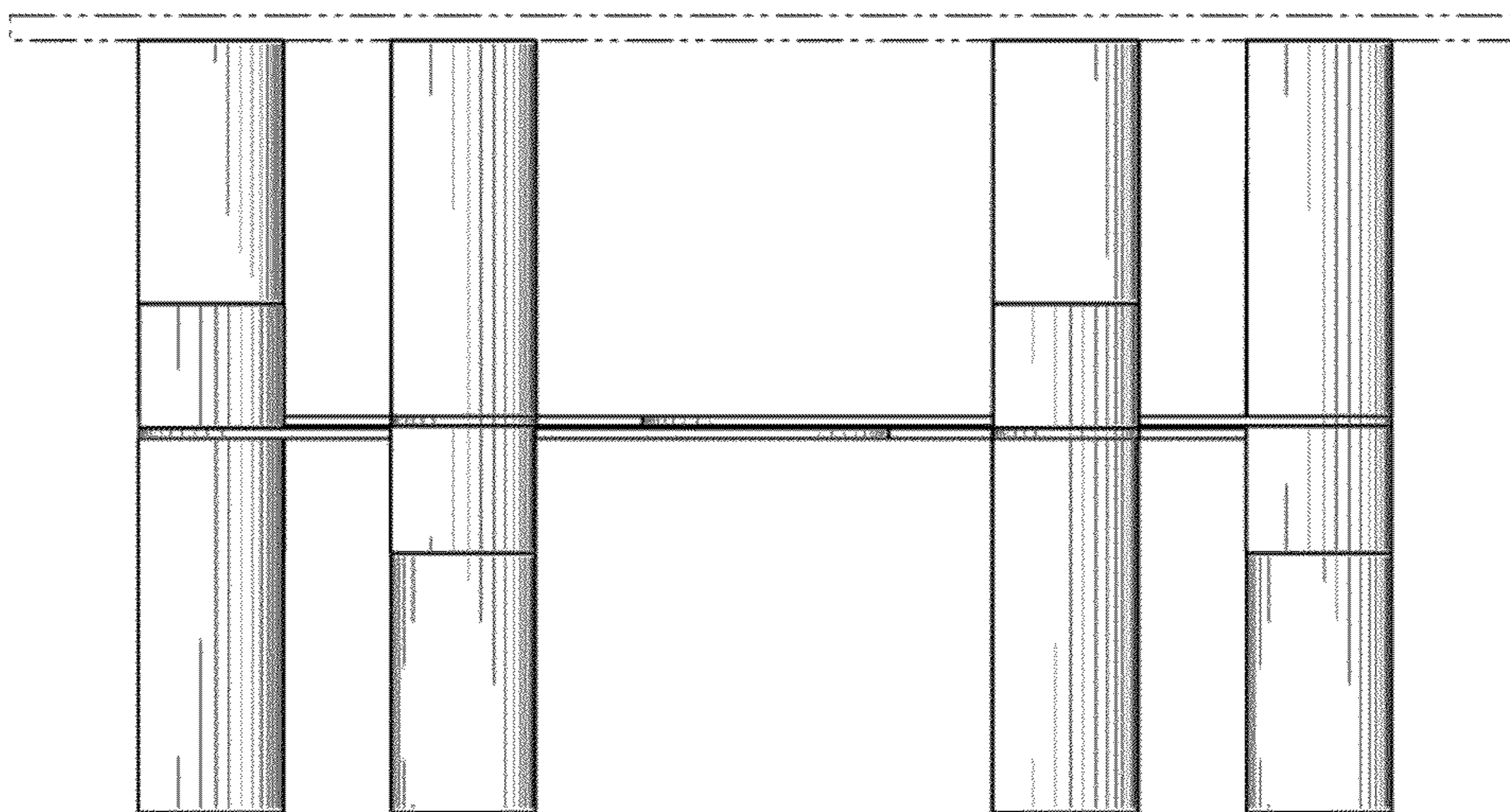


FIG. 3

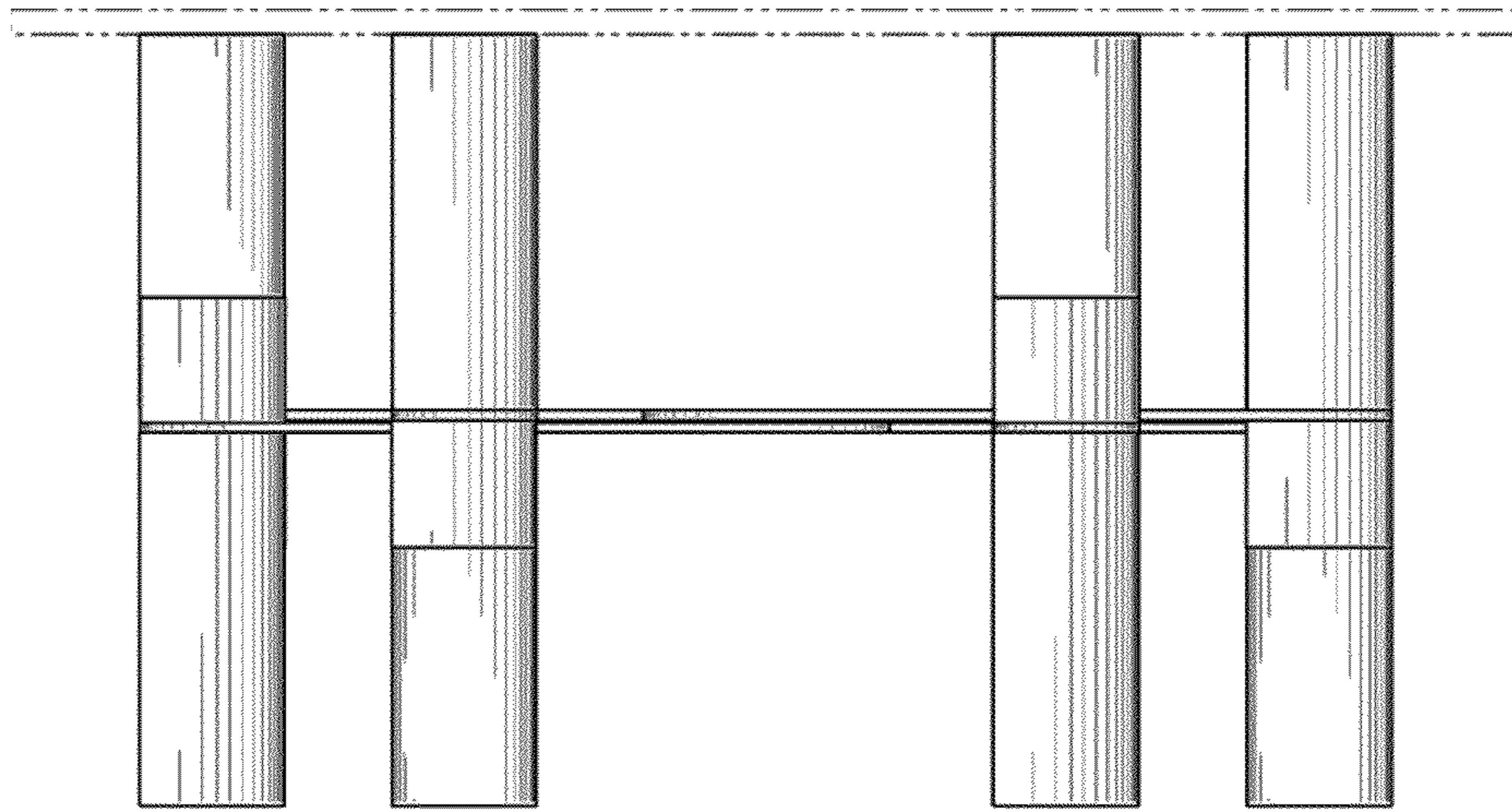


FIG. 4

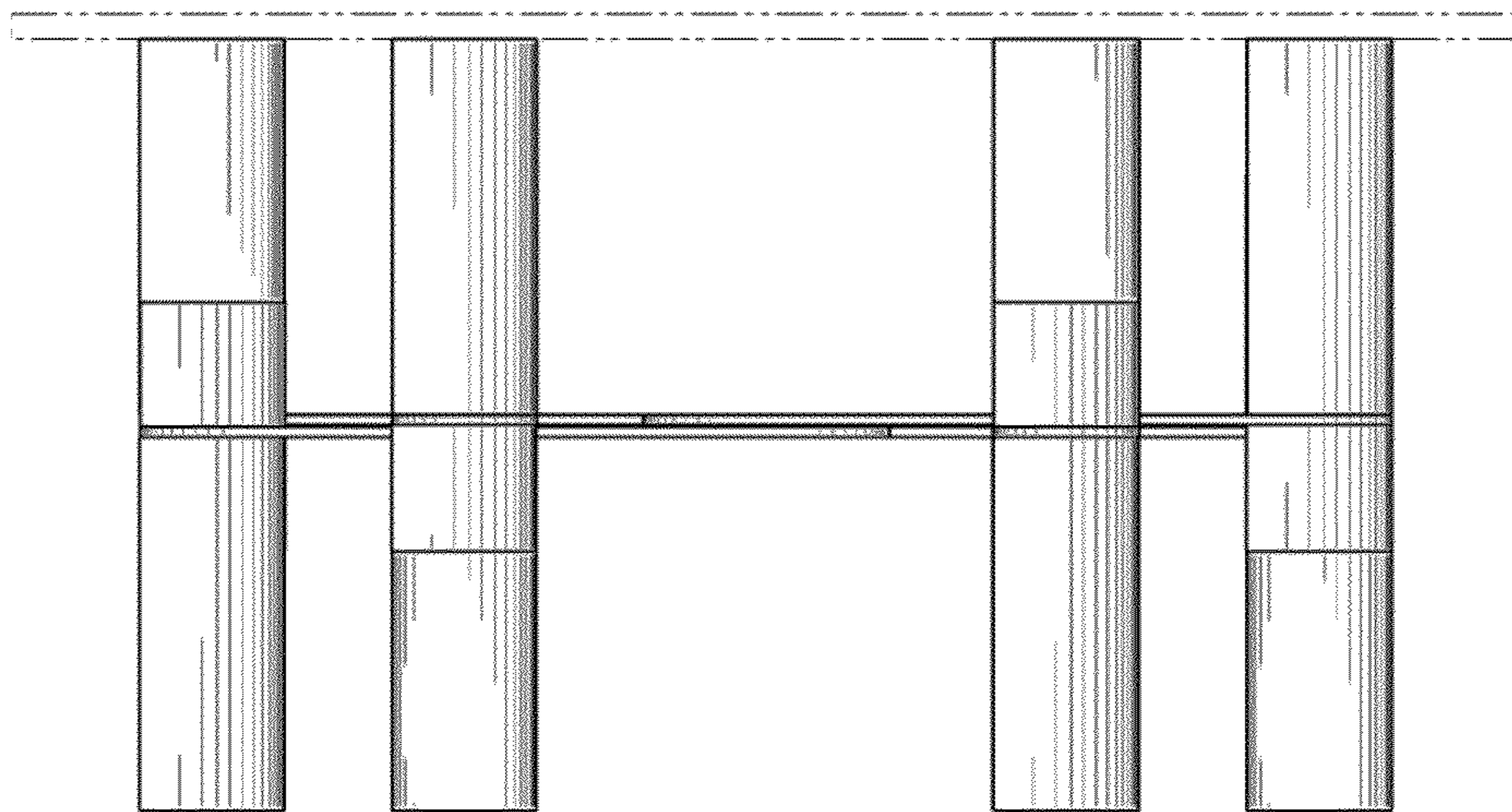


FIG. 5

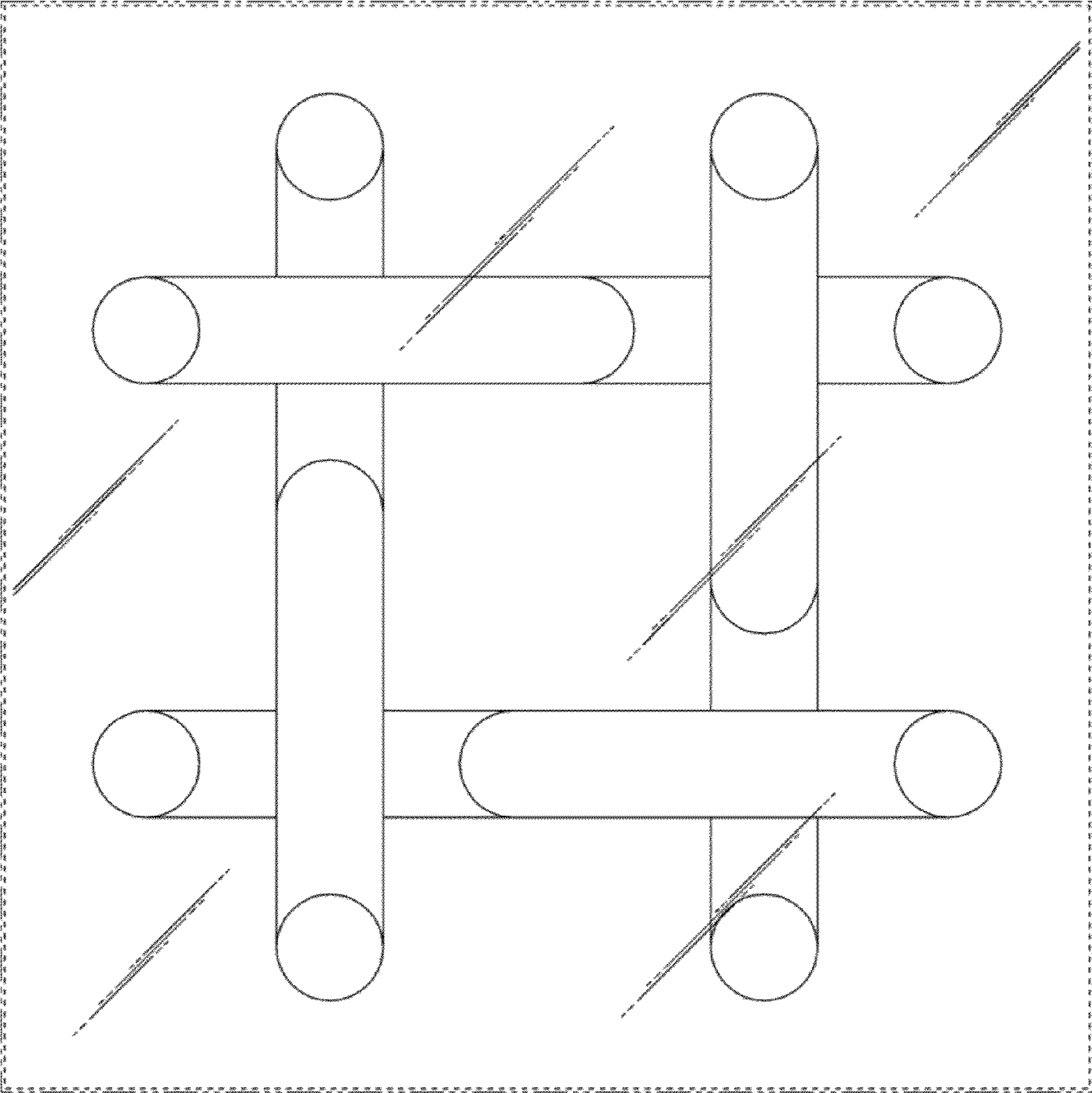


FIG. 6

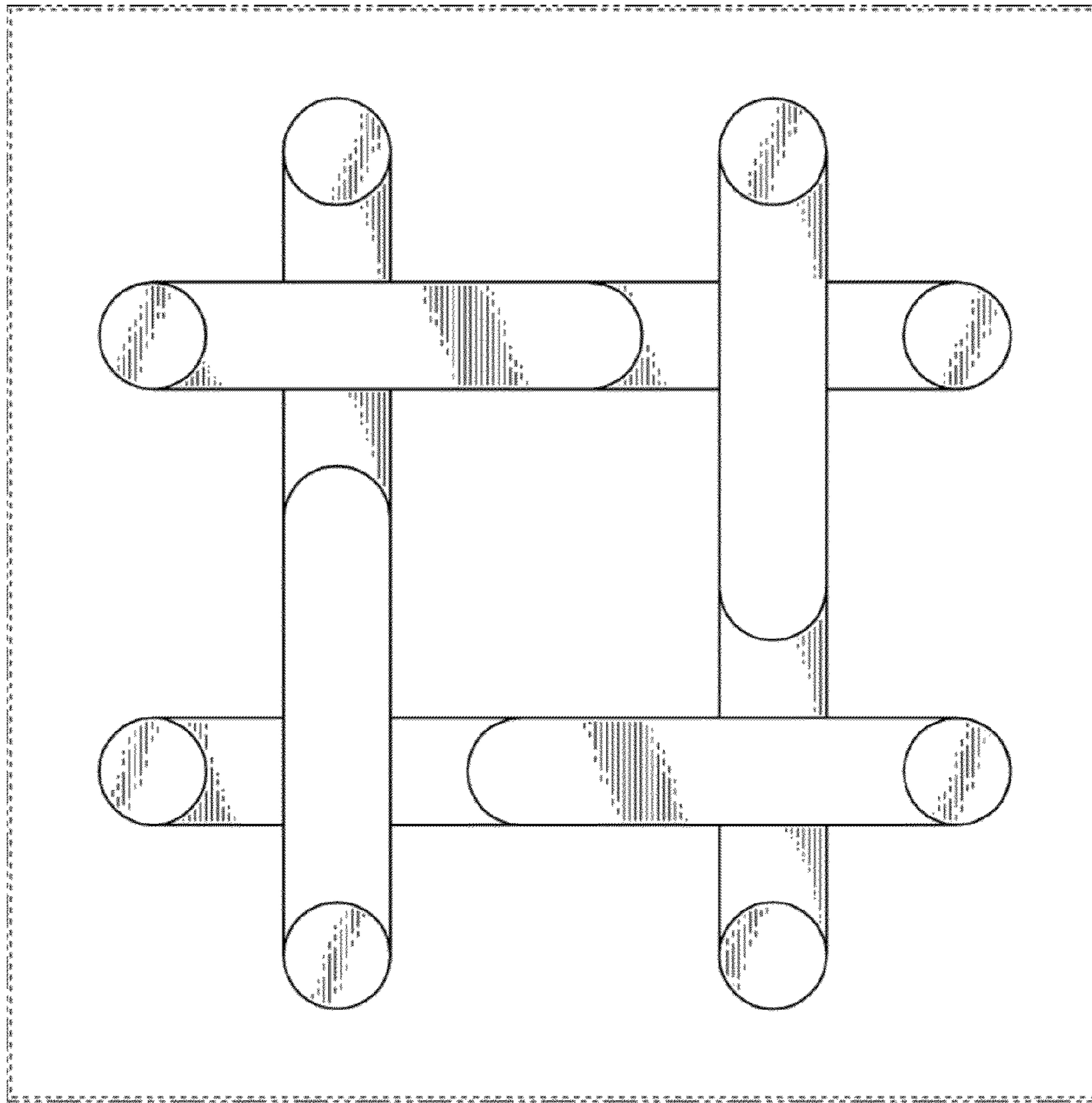


FIG. 7