



US00D697348S

(12) **United States Design Patent**
Ogawa

(10) **Patent No.:** **US D697,348 S**
(45) **Date of Patent:** **** Jan. 14, 2014**

(54) **KITCHEN COUNTER**

(71) Applicant: **Hirohisa Ogawa, Zushi (JP)**

(72) Inventor: **Hirohisa Ogawa, Zushi (JP)**

(**) Term: **14 Years**

(21) Appl. No.: **29/452,236**

(22) Filed: **Apr. 13, 2013**

Related U.S. Application Data

(62) Division of application No. 29/390,554, filed on Apr. 26, 2011.

(30) **Foreign Application Priority Data**

Oct. 27, 2010 (JP) 2010-025844
Oct. 27, 2010 (JP) 2010-025845
Oct. 27, 2010 (JP) 2010-025846
Oct. 27, 2010 (JP) 2010-025847

(51) **LOC (10) Cl.** **06-02**

(52) **U.S. Cl.**
USPC **D6/707.22**

(58) **Field of Classification Search**
USPC D6/707.2, 691.6, 651, 406.3, 708, 650,
D6/707, 705, 697.2, 696.2; 108/150, 152,
108/153.1, 157.1, 161, 43; D7/698;
D21/397, 484; 248/188, 188.1, 188.8;
126/211; 414/12; D18/40
See application file for complete search history.

(56) **References Cited**

U.S. PATENT DOCUMENTS

D165,584 S * 1/1952 Johnson D6/482
D166,360 S * 4/1952 Shin D6/482
D207,713 S * 5/1967 Sullivan D6/511
D342,634 S * 12/1993 Barlow-Lawson D6/511
D401,791 S * 12/1998 Schwab D6/486

D414,634 S * 10/1999 Smith et al. D6/511
D429,087 S * 8/2000 Gilbert D6/422
D440,798 S * 4/2001 Kuhlman et al. D6/511
D450,949 S * 11/2001 Grabowski et al. D6/480
6,463,862 B1 * 10/2002 Kuhlman et al. 108/50.01
D479,417 S * 9/2003 Couture et al. D6/511
D495,540 S * 9/2004 Lipsztein D6/511
D495,541 S * 9/2004 Lipsztein D6/511
D495,543 S * 9/2004 Lipsztein D6/511
D525,288 S * 7/2006 Rieck D18/40
D529,100 S * 9/2006 Fischer D21/369
D610,380 S * 2/2010 Momeny D6/511
D615,324 S * 5/2010 Yamamoto D6/482
D616,676 S * 6/2010 Toshima D6/495
D620,731 S * 8/2010 Ogawa D6/511
D626,361 S * 11/2010 Ogawa D6/511
D627,997 S * 11/2010 Ogawa D6/511
D665,191 S * 8/2012 Yamamoto D6/429
D669,282 S * 10/2012 Yamamoto D6/429

(Continued)

Primary Examiner — Cathron Brooks

Assistant Examiner — Sydney Buffalow

(74) *Attorney, Agent, or Firm* — Strategy IP, a professional law corp.

(57) **CLAIM**

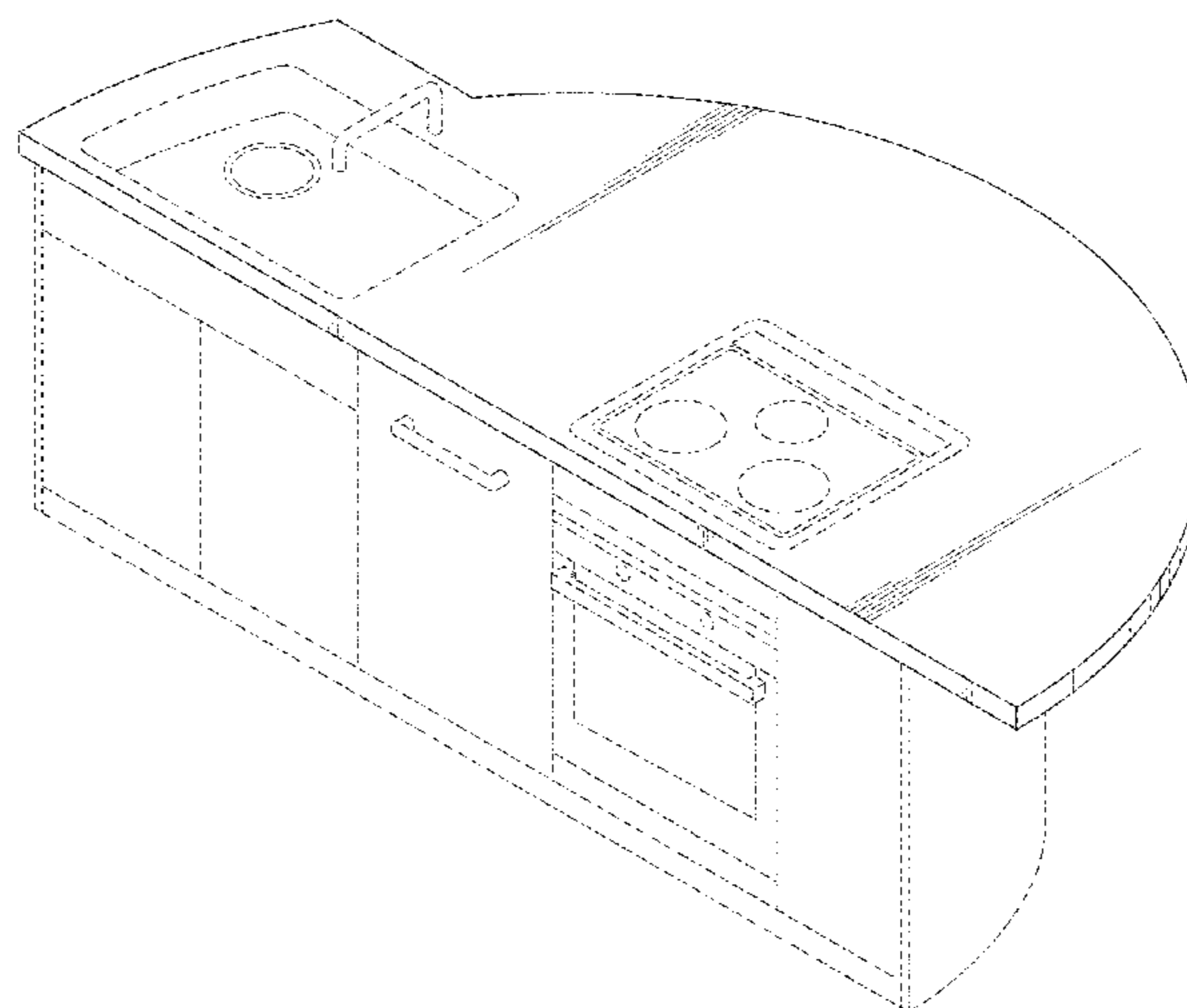
The ornamental design for a kitchen counter, as shown and described.

DESCRIPTION

FIG. 1 is a front, top, and right side perspective view of a kitchen counter, showing my new design;
FIG. 2 is a front elevational view thereof;
FIG. 3 is a rear elevational view thereof;
FIG. 4 is a top plan view thereof;
FIG. 5 is a bottom plan view thereof;
FIG. 6 is a right side elevational view thereof; and,
FIG. 7 is a left side elevational view thereof.

The broken lines shown are included for the purpose of illustrating the environment in which the article resides and form no part of the claimed design.

1 Claim, 6 Drawing Sheets



US D697,348 S

Page 2

(56)

References Cited

2007/0169770 A1* 7/2007 Kuwamura 126/211
2009/0180843 A1* 7/2009 Jackson et al. 414/12

U.S. PATENT DOCUMENTS

D672,163 S * 12/2012 Wells et al. D6/406.3 * cited by examiner

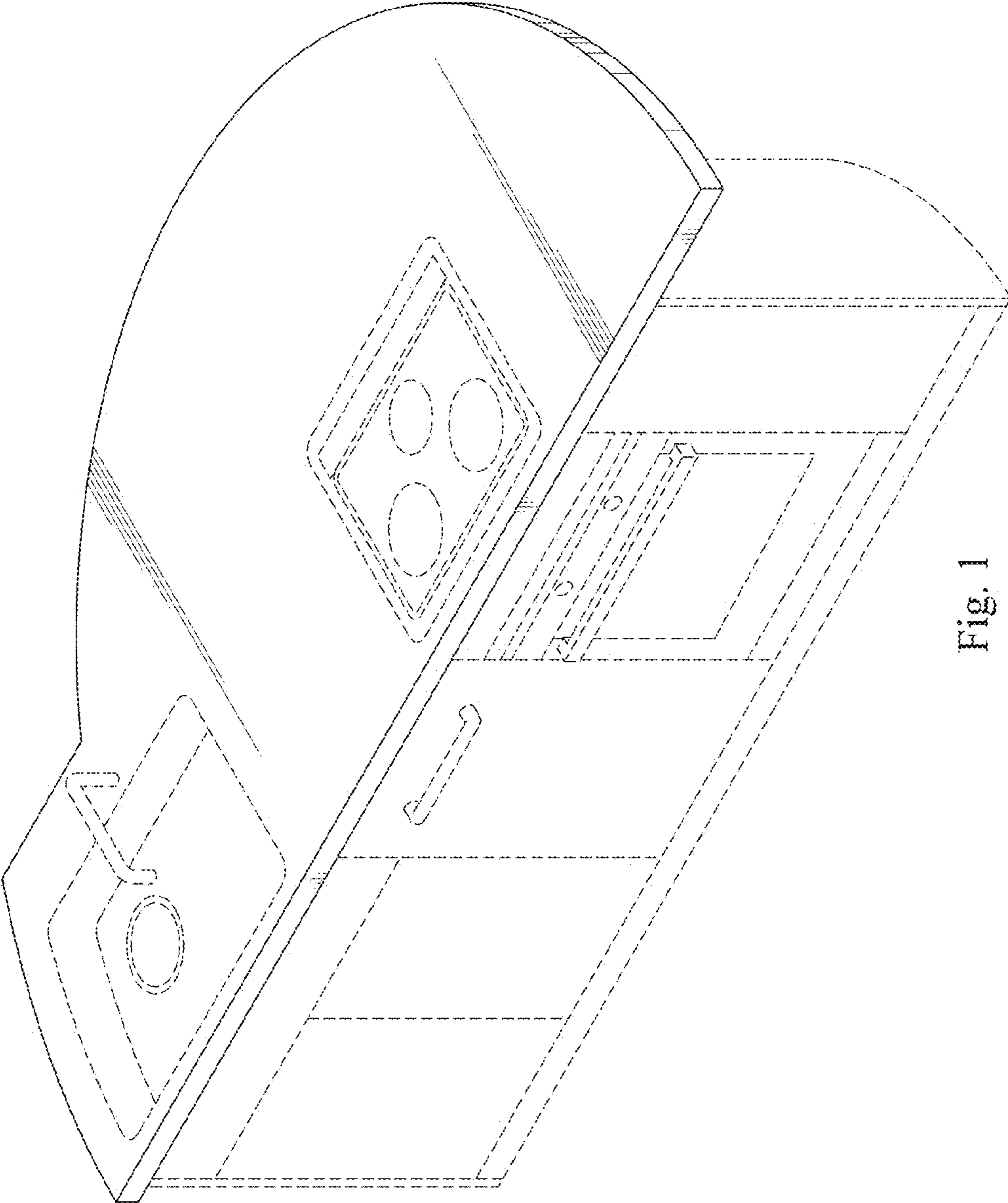


Fig. 1

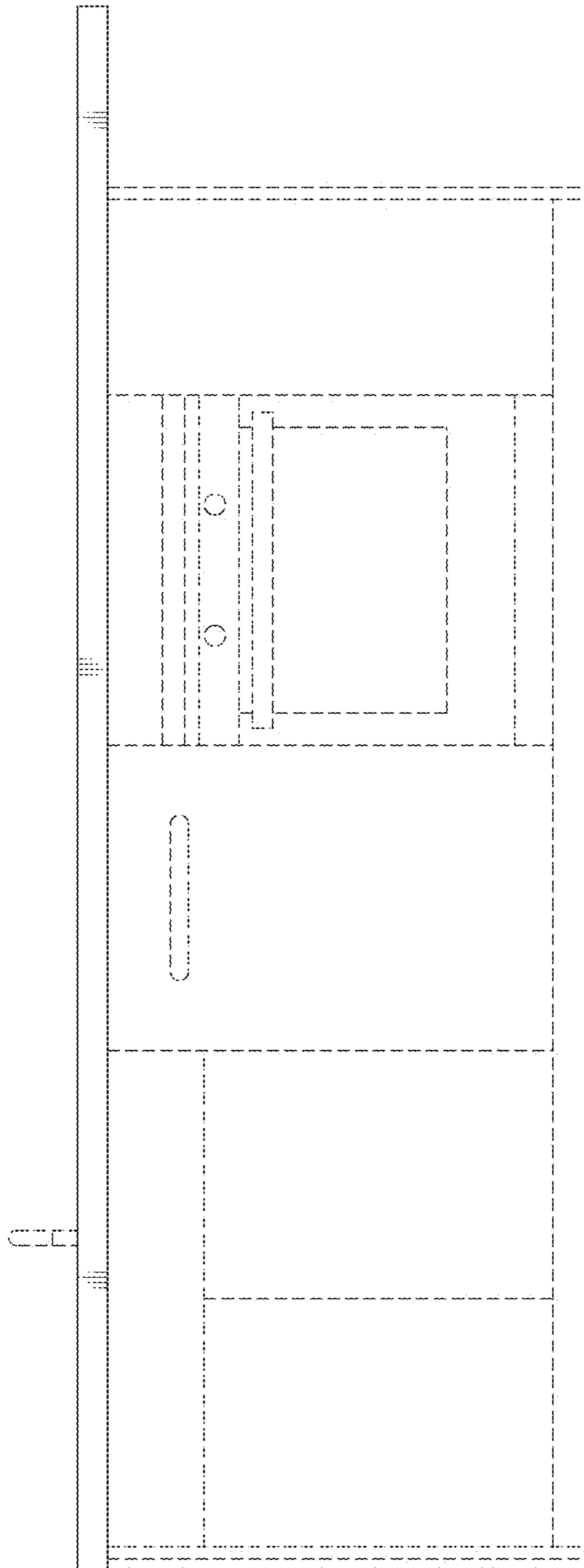


Fig. 2

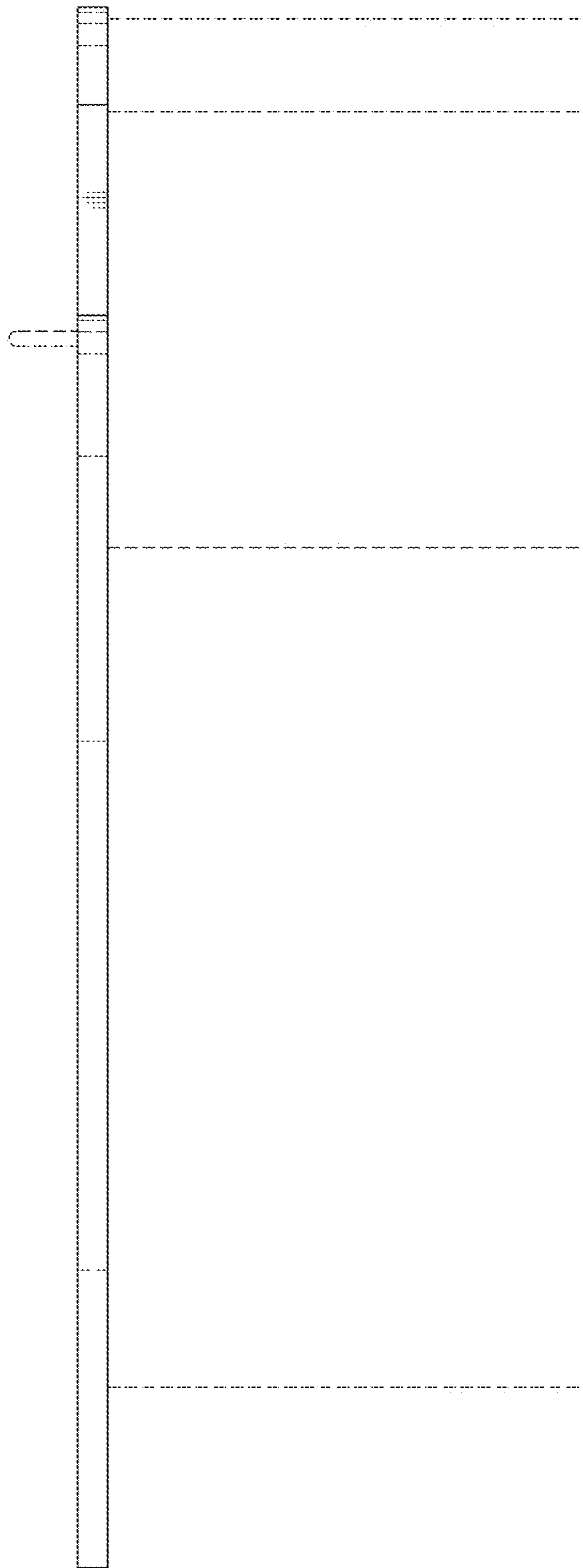


Fig. 3

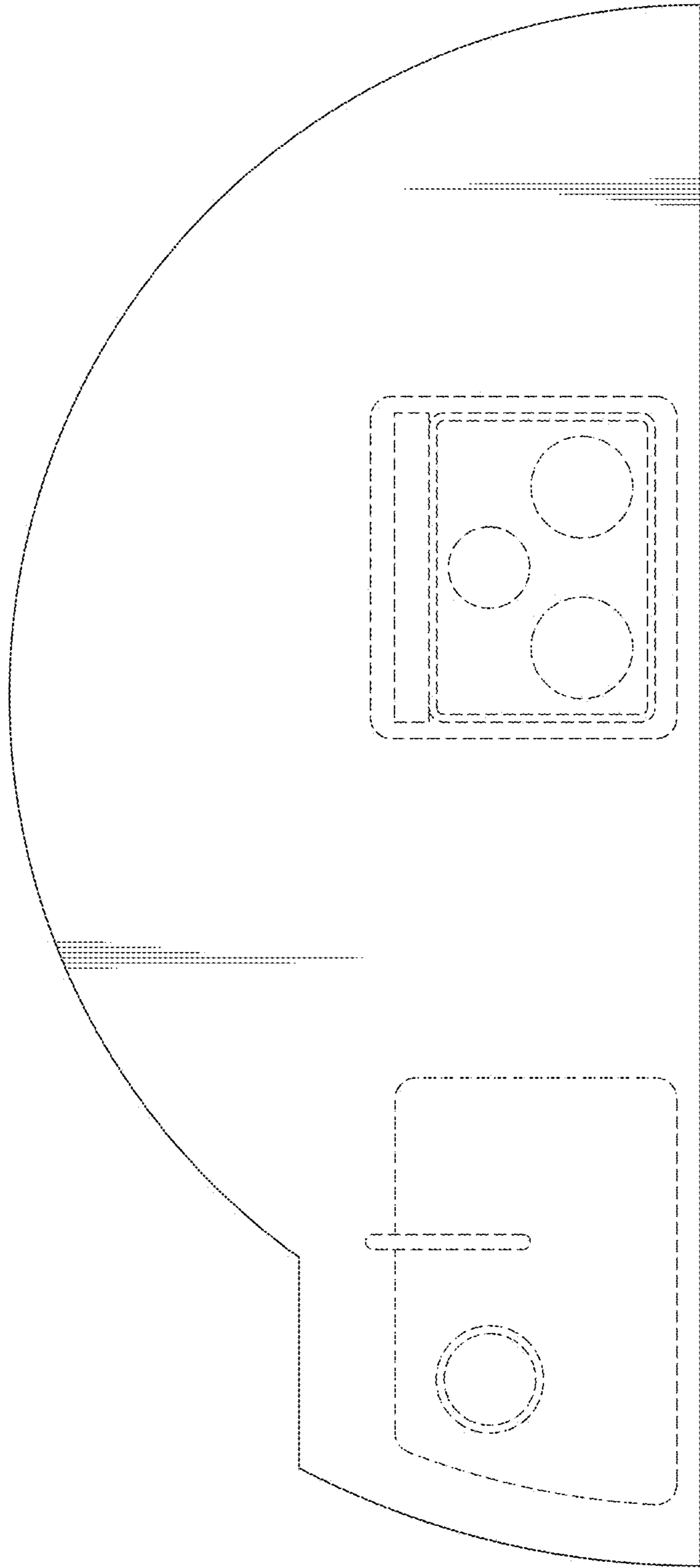


Fig. 4

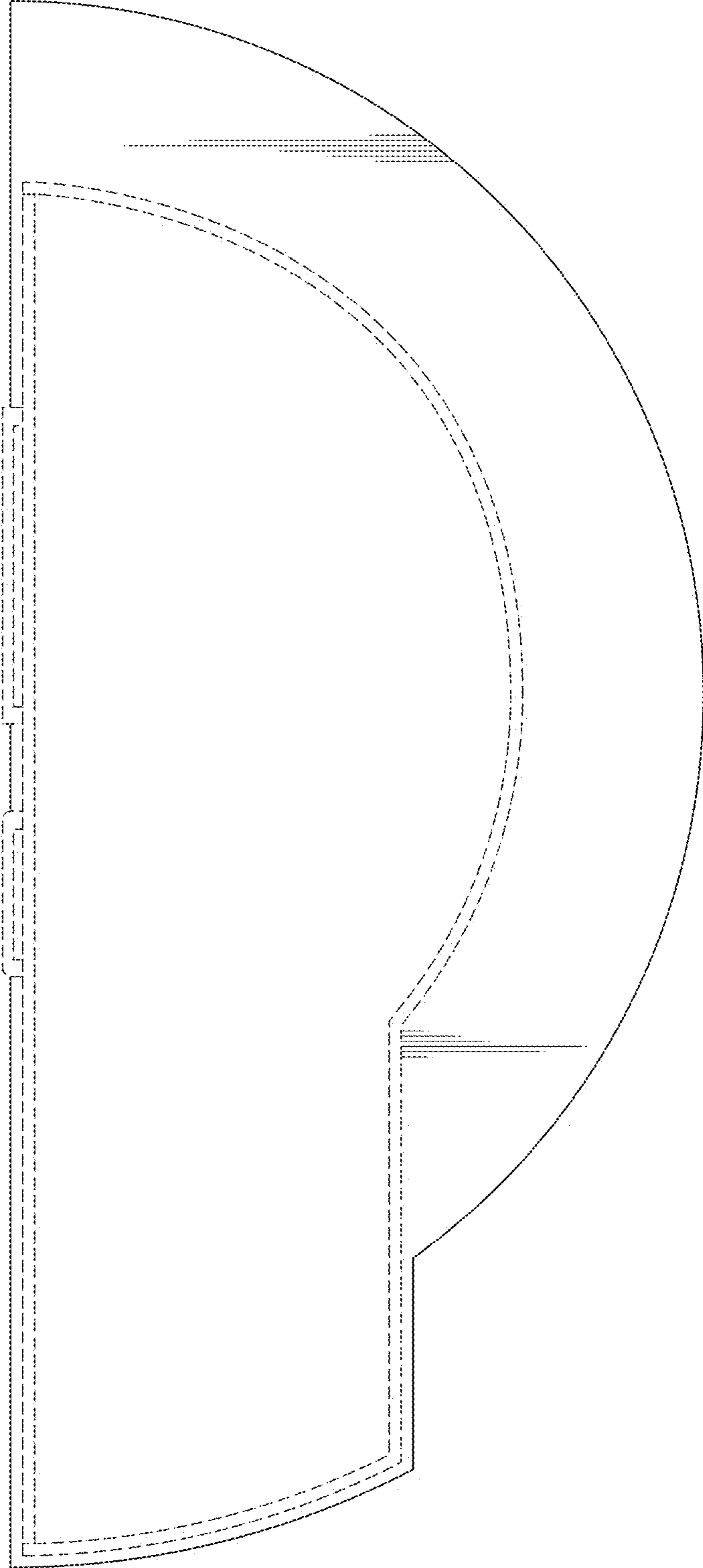


Fig. 5

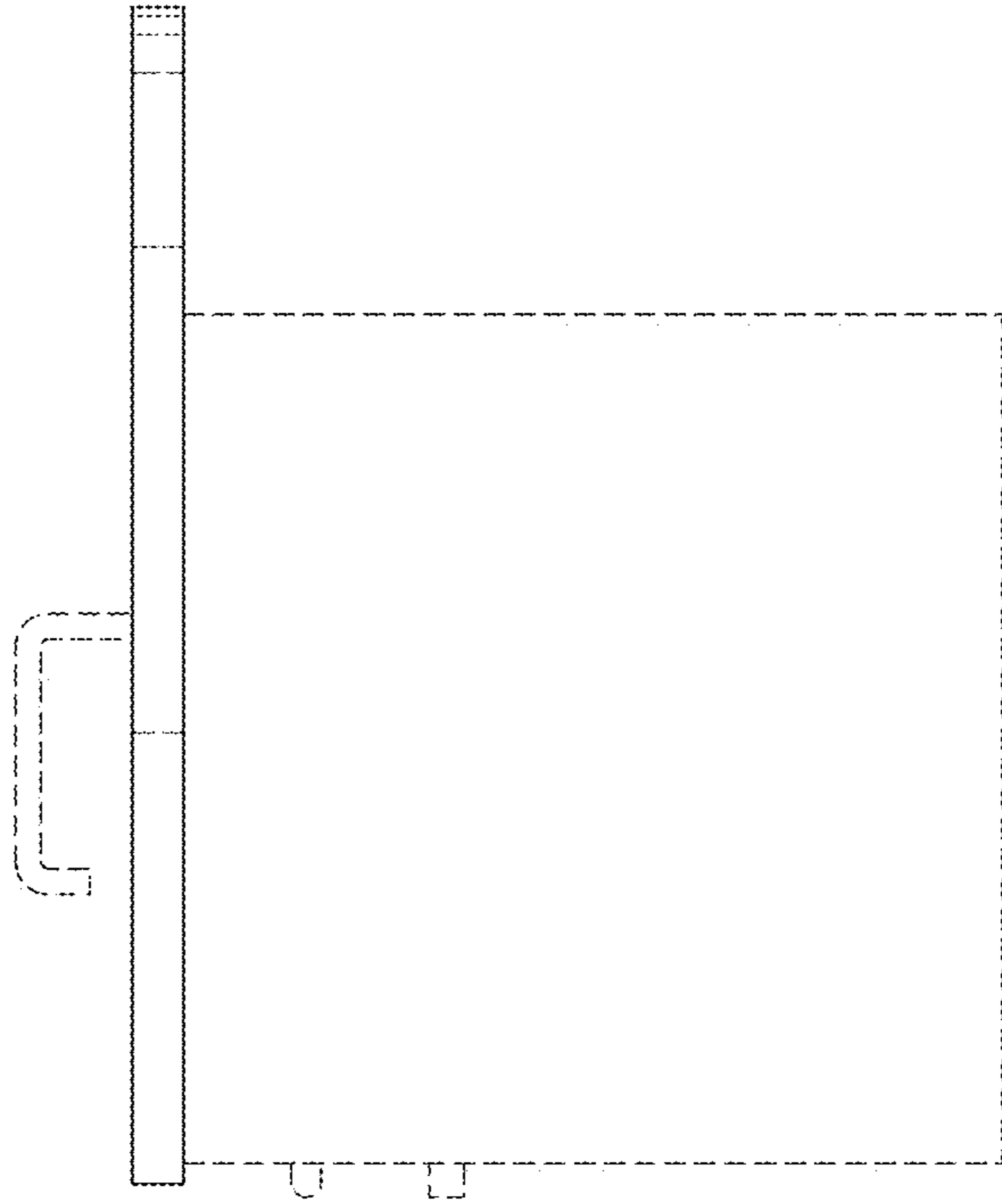


Fig. 6

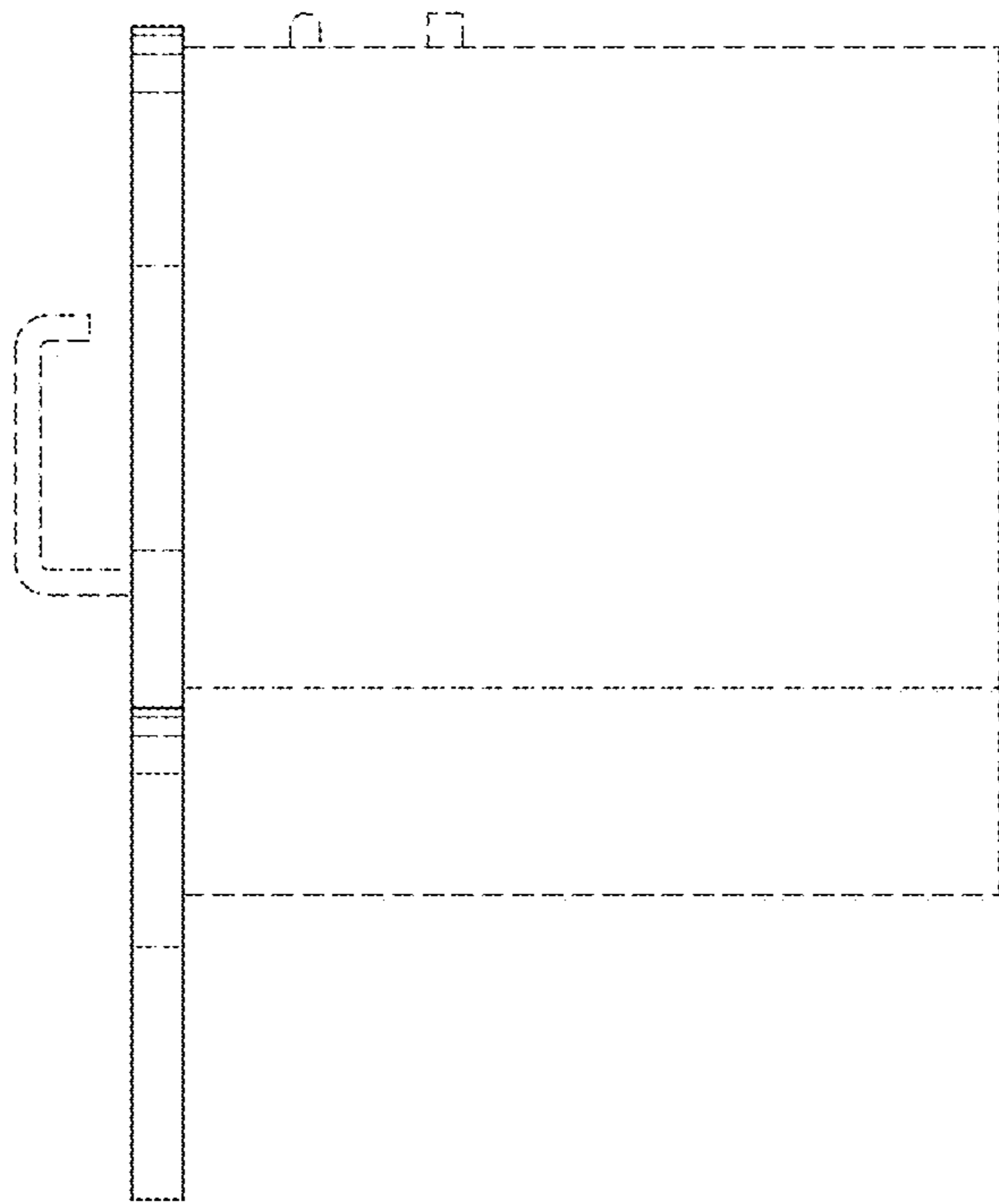


Fig. 7