



US00D697345S

(12) **United States Design Patent**
Therrien

(10) **Patent No.:** **US D697,345 S**
(45) **Date of Patent:** **** Jan. 14, 2014**

- (54) **ADJUSTABLE BOOK STAND**
- (71) Applicant: **Cynthia Therrien**, Fitchburg, MA (US)
- (72) Inventor: **Cynthia Therrien**, Fitchburg, MA (US)
- (**) Term: **14 Years**
- (21) Appl. No.: **29/441,387**
- (22) Filed: **Jan. 4, 2013**
- (51) **LOC (10) Cl.** **06-03**
- (52) **U.S. Cl.**
USPC **D6/700**
- (58) **Field of Classification Search**
USPC D6/698, 700, 701, 406.1, 406.2, 691.4,
D6/692.3, 708.17; 248/441.1, 451, 454,
248/458, 460, 462, 463; 108/150
See application file for complete search history.

4,360,183	A *	11/1982	Biasini	248/451
5,433,415	A	7/1995	Samson et al.		
D363,492	S *	10/1995	Brussing	D14/251
D368,602	S *	4/1996	Jordan	D6/397
5,893,546	A	4/1999	Renfro		
5,979,857	A	11/1999	Holm		
6,202,973	B1	3/2001	Navarin et al.		
6,938,870	B1	9/2005	Salvador		
7,540,464	B2	6/2009	Samari		
D650,200	S *	12/2011	Francis	D6/429
2004/0061037	A1	4/2004	Smarrt		

* cited by examiner

Primary Examiner — Janice Seeger
(74) *Attorney, Agent, or Firm* — Montgomery Patent & Design; Robert C. Montgomery

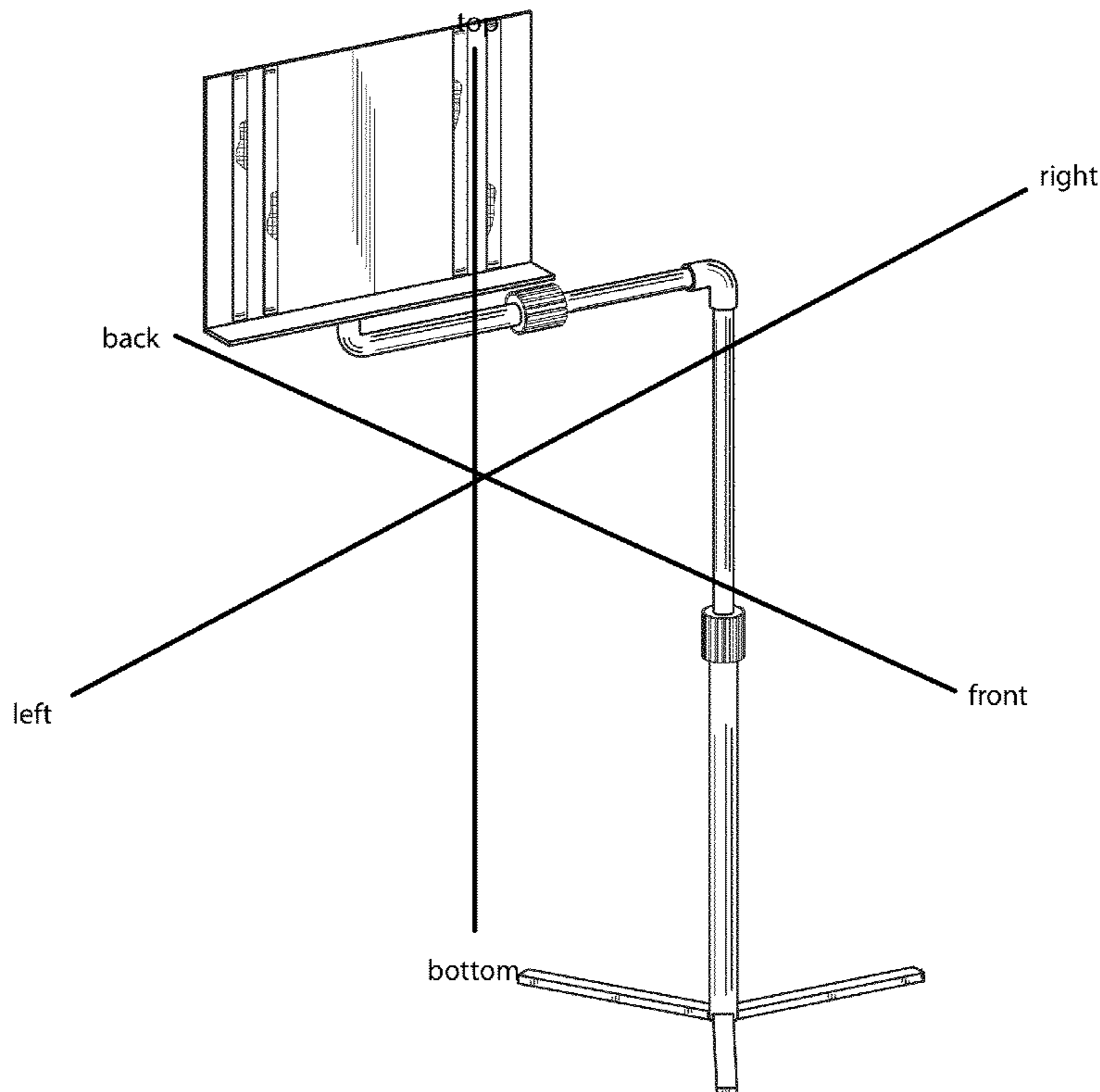
(57) **CLAIM**
The ornamental design for an adjustable book stand, as shown and described.

DESCRIPTION

FIG. 1 is a perspective view of an adjustable book stand, showing my new design;
FIG. 2 is a front view thereof;
FIG. 3 is a rear view thereof;
FIG. 4 is a left hand view thereof;
FIG. 5 is a right hand view thereof;
FIG. 6 is a top view thereof; and,
FIG. 7 is a bottom view thereof.

1 Claim, 6 Drawing Sheets

- (56) **References Cited**
U.S. PATENT DOCUMENTS
- 368,388 A 8/1887 Drake
- 632,037 A 8/1899 Bauer
- 982,567 A 1/1911 Blouch
- D89,053 S * 1/1933 Mitchell et al. D6/419
- 3,128,573 A 4/1964 Johnson et al.
- D246,016 S * 10/1977 Brady D6/419



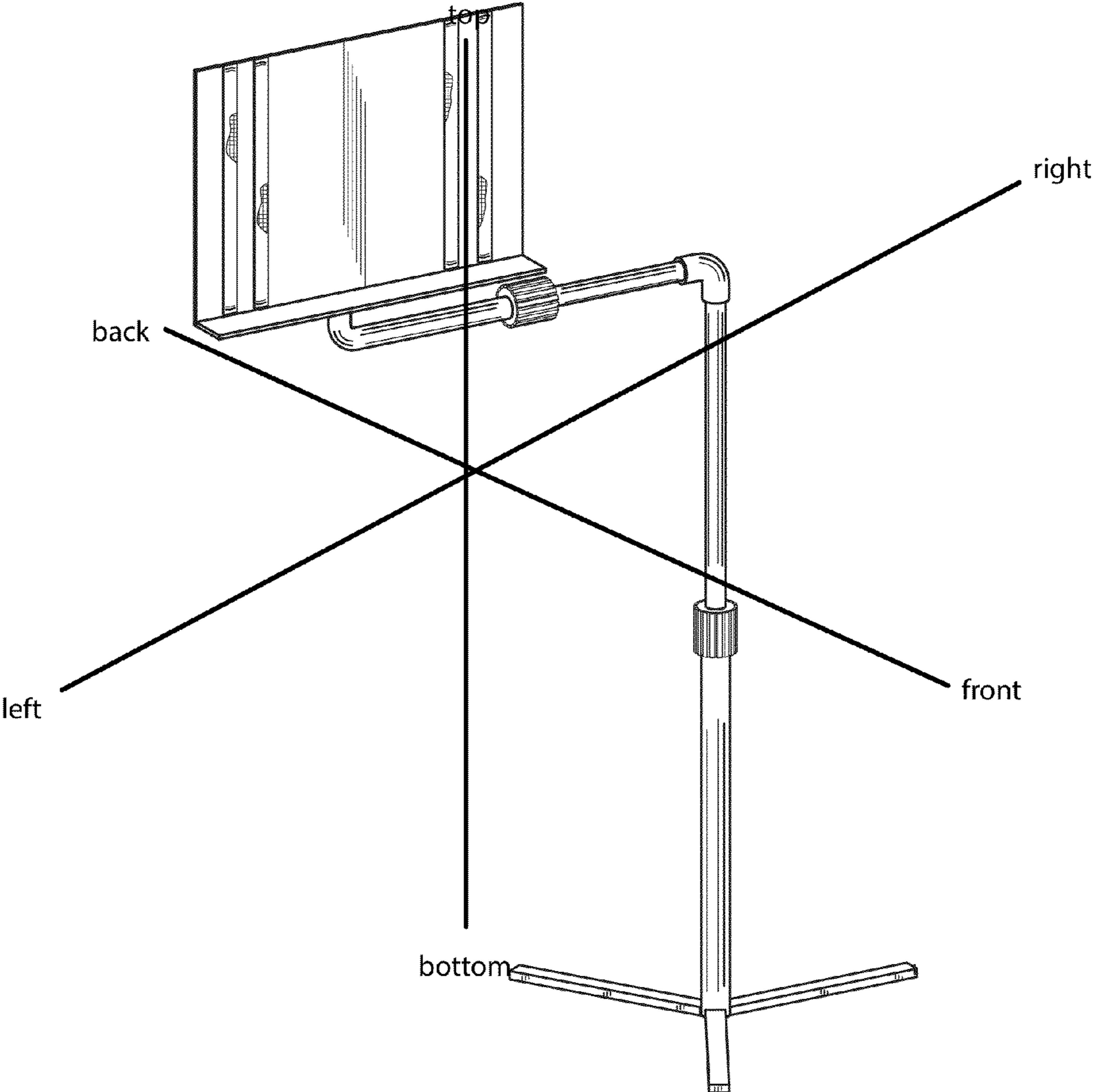


Fig. 1

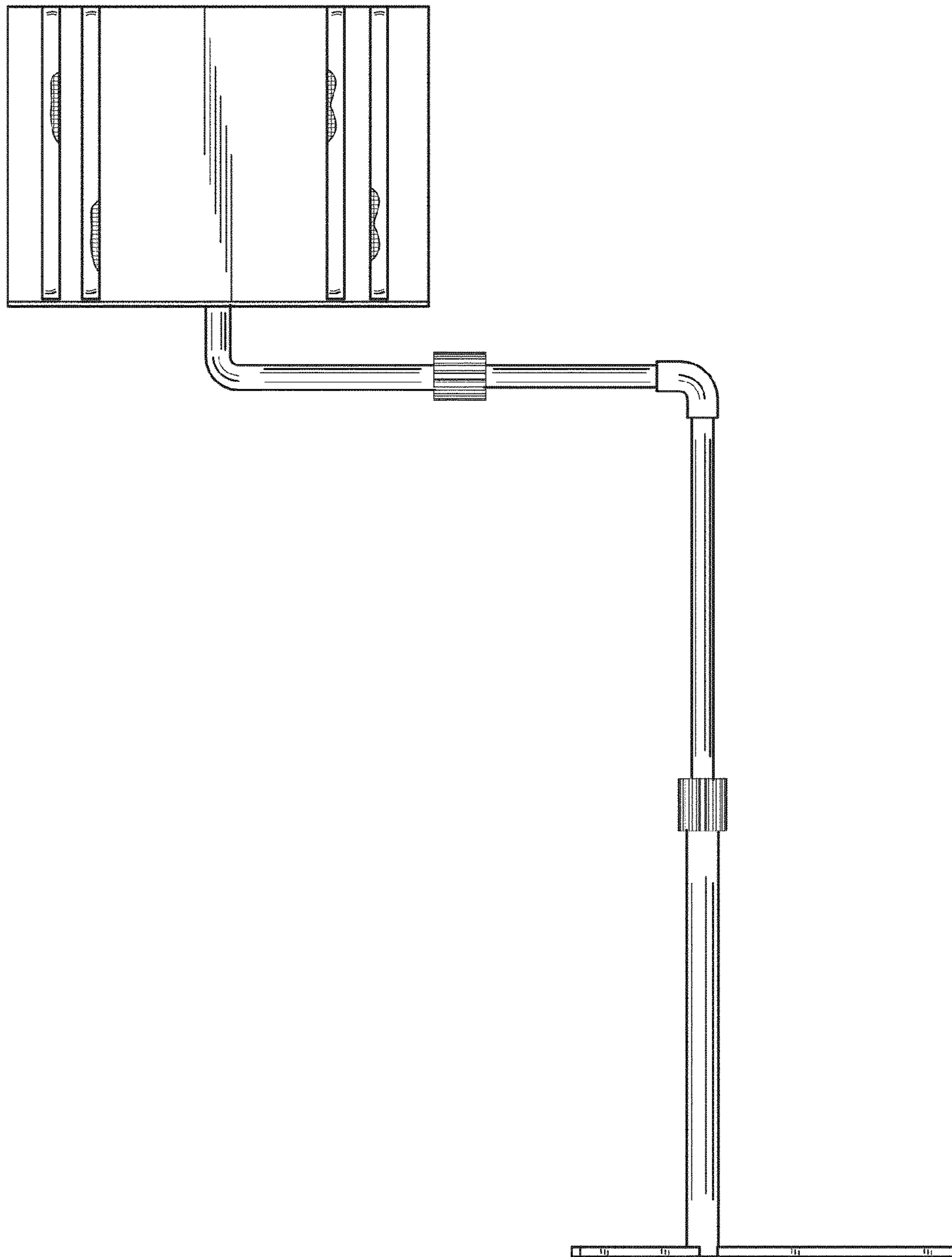


Fig. 2

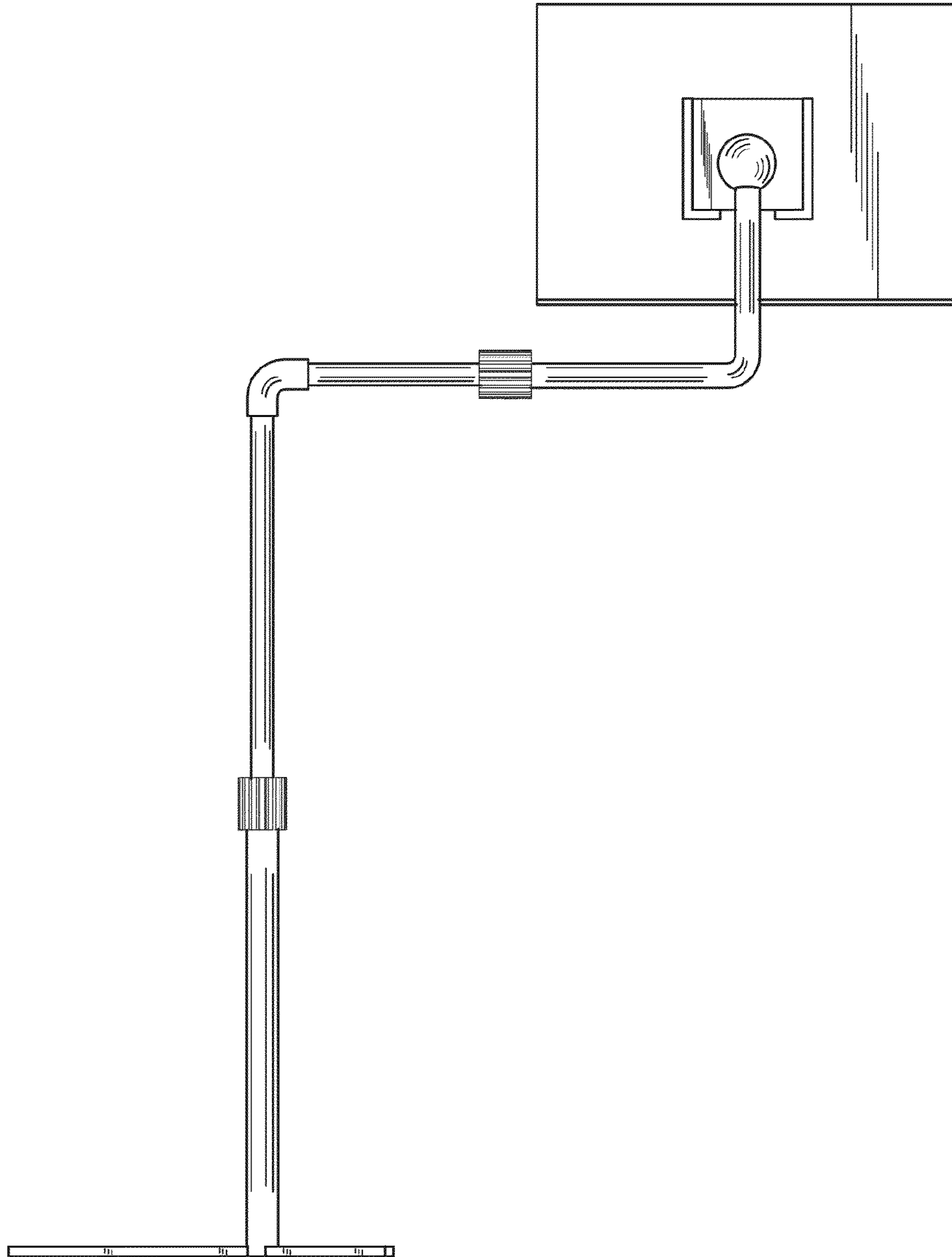


Fig. 3

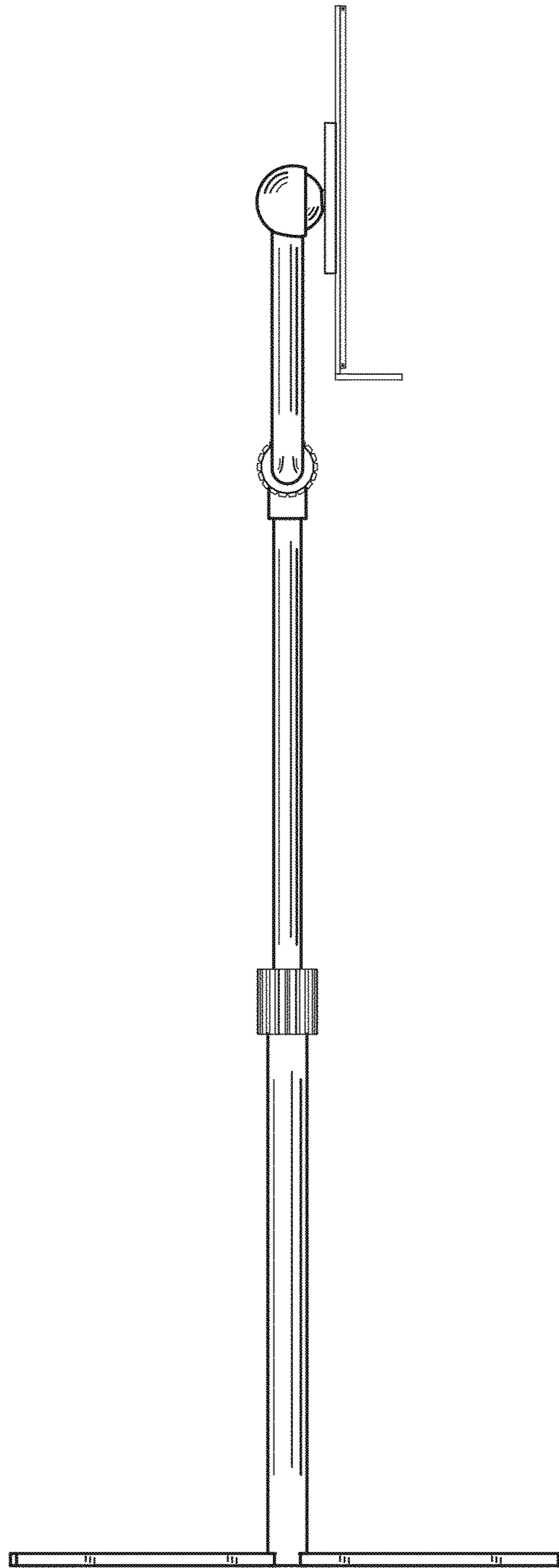


Fig. 4

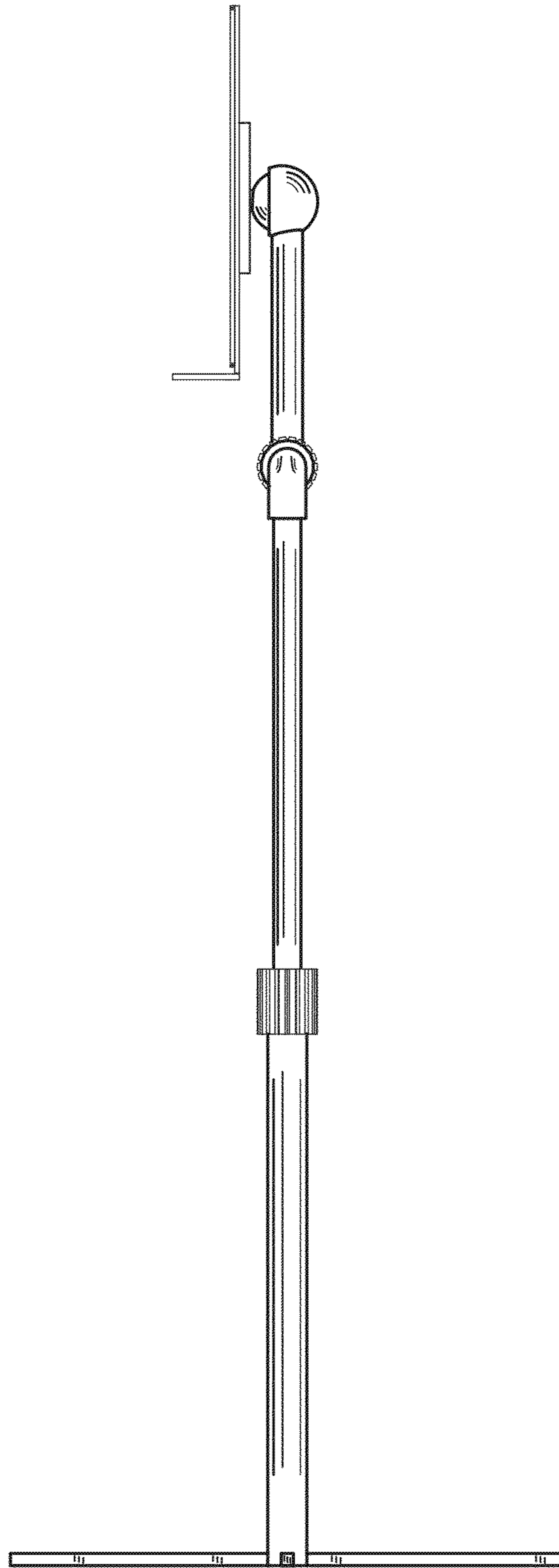


Fig. 5

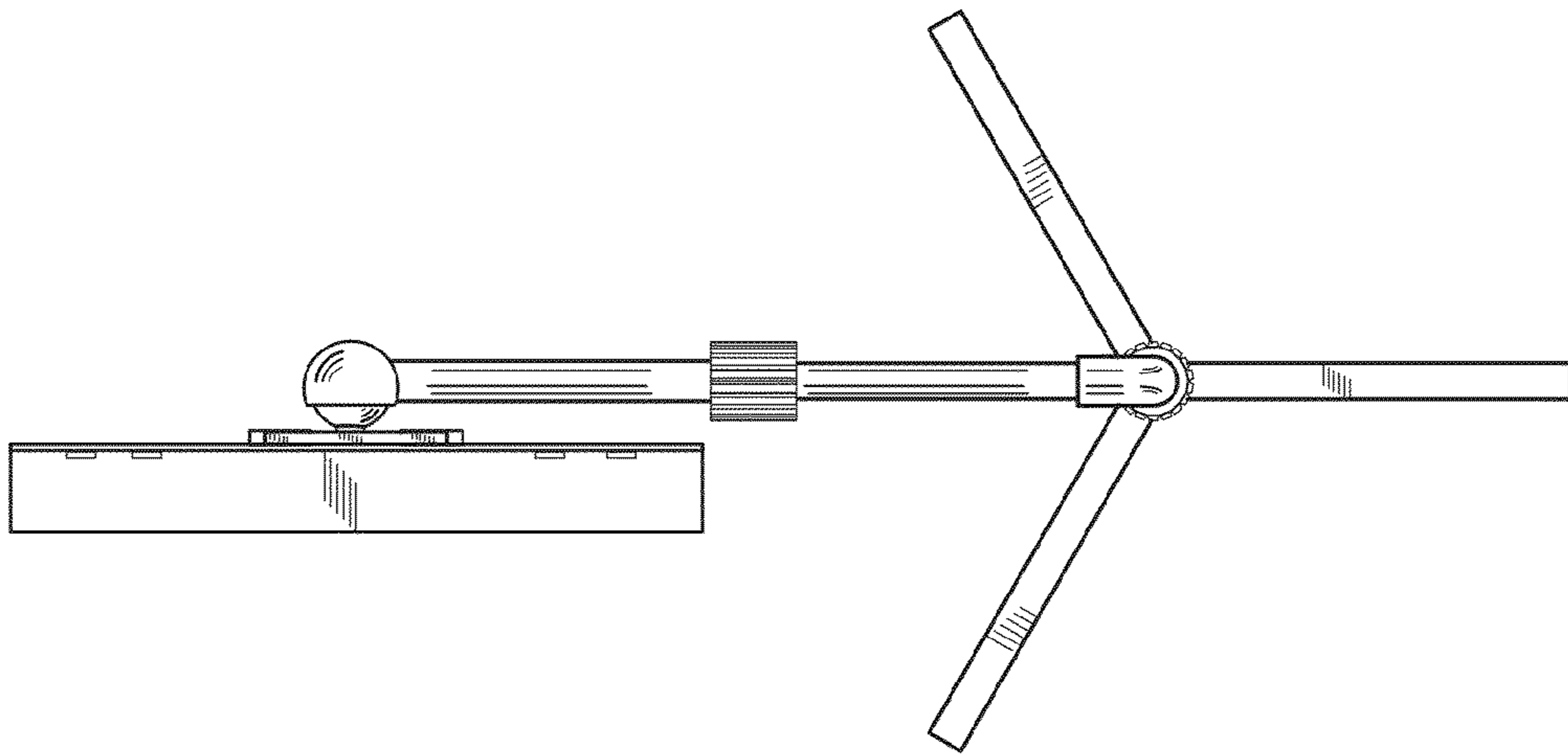


Fig. 6

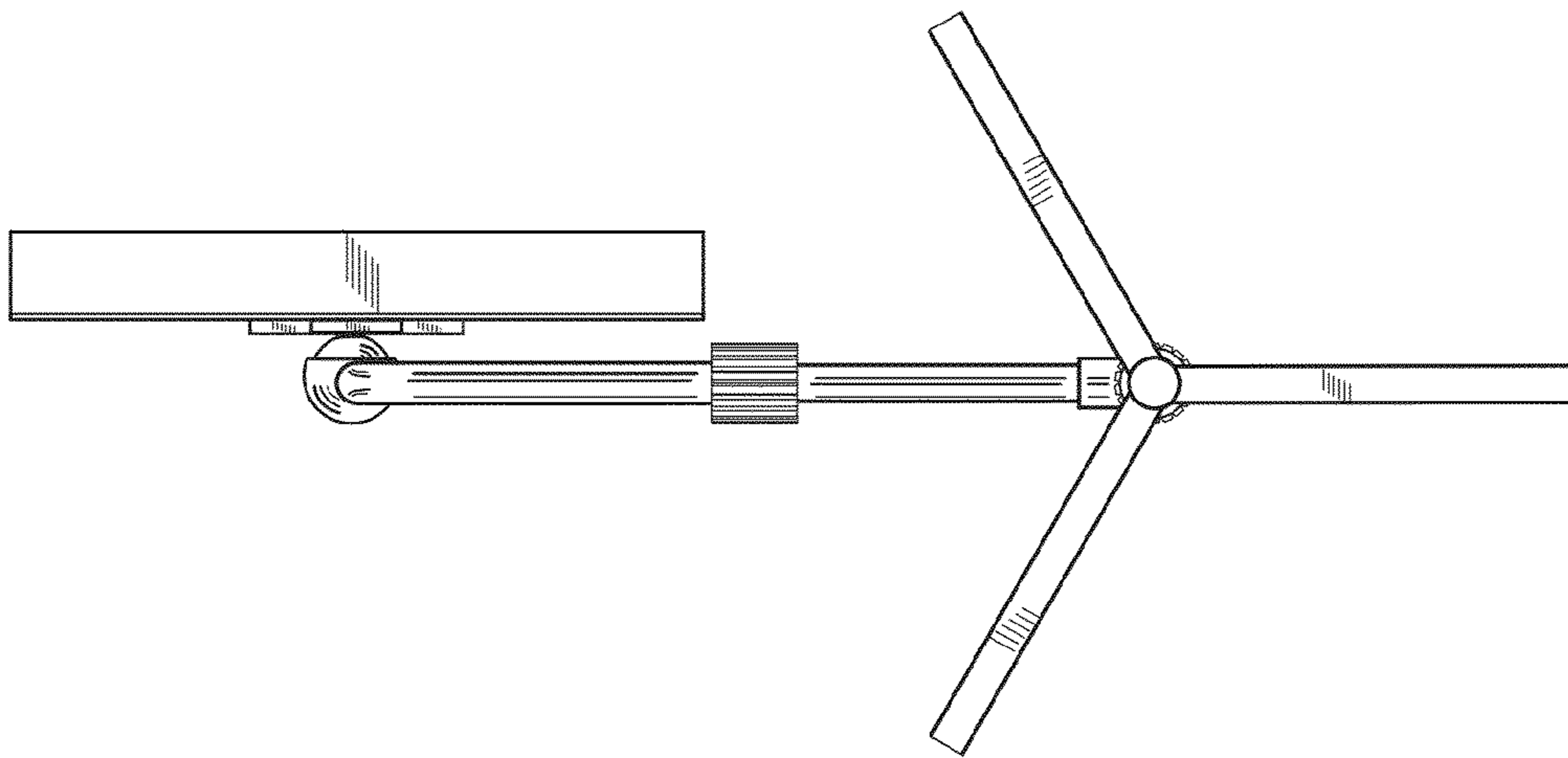


Fig. 7