



US00D697344S

(12) **United States Design Patent**
Kerian

(10) **Patent No.:** **US D697,344 S**
(45) **Date of Patent:** **** Jan. 14, 2014**

- (54) **TABLE**
- (76) **Inventor:** **Paul Kerian**, Valley Stream, NY (US)
- (**) **Term:** **14 Years**
- (21) **Appl. No.:** **29/430,880**
- (22) **Filed:** **Aug. 30, 2012**
- (51) **LOC (10) Cl.** **06-03**
- (52) **U.S. Cl.**
USPC **D6/690; D6/675.1; D6/691.9**
- (58) **Field of Classification Search**
USPC D6/685, 686, 690, 691, 691.4, 691.5,
D6/691.8, 692, 692.1, 692.3, 692.4, 696,
D6/696.1, 696.3, 696.4, 696.5, 708,
D6/708.16, 708.17, 675.1, 691.9; 108/150,
108/153.1, 156, 157.1, 158.11, 161,
108/157.14; 248/188, 188.1, 188.7, 188.8;
312/259
See application file for complete search history.

(56) **References Cited**
U.S. PATENT DOCUMENTS

- 2,098,453 A * 11/1937 Janes et al. 312/140.1
- 2,522,748 A * 9/1950 Claude 108/101

- D169,867 S * 6/1953 Sanford D6/478
- 4,582,002 A * 4/1986 Wright 108/60
- D361,453 S * 8/1995 Sussman D6/474
- D562,594 S * 2/2008 Thompson D6/474
- D655,948 S * 3/2012 Dardashti et al. D6/478
- D665,194 S 8/2012 Lenney

* cited by examiner

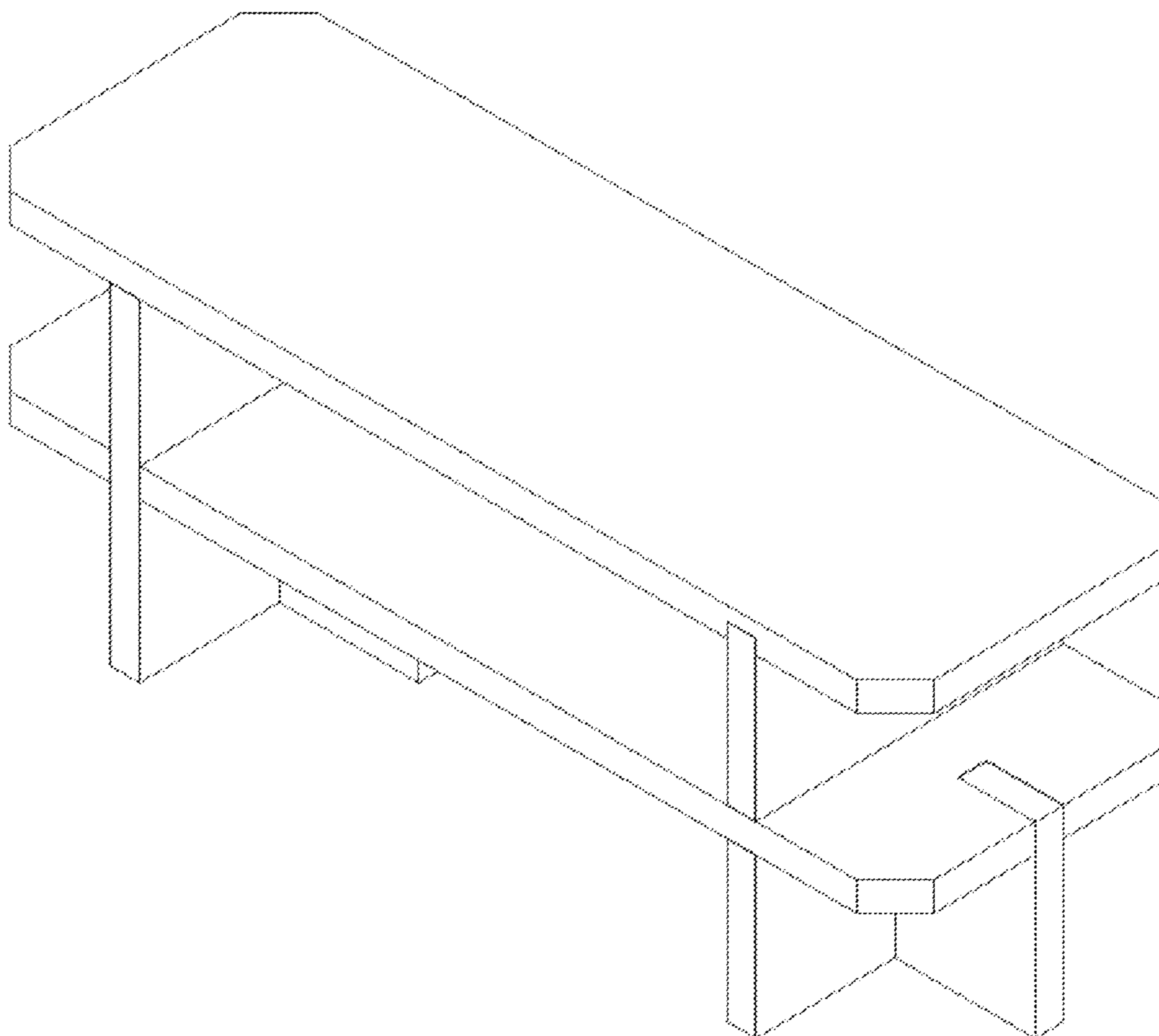
Primary Examiner — Janice Seeger

(57) **CLAIM**
The ornamental design for a table, as shown and described.

DESCRIPTION

FIG. 1 is a perspective view of a table with cross slotted panels and beveled corners.
 FIG. 2 is a top plan view of the table of FIG. 1
 FIG. 3 is a front view of the table of FIG. 1
 FIG. 4 is a side view of the table of FIG. 1
 FIG. 5 is an exploded view of the table of FIG. 1
 FIG. 6 is a perspective view of a table, showing a second embodiment of my new design.
 FIG. 7 is a top plan view of the table of FIG. 6
 FIG. 8 is a front view of the table of FIG. 6
 FIG. 9 is a side view of the table of FIG. 6; and,
 FIG. 10 is an exploded view of the table of FIG. 6.

1 Claim, 10 Drawing Sheets



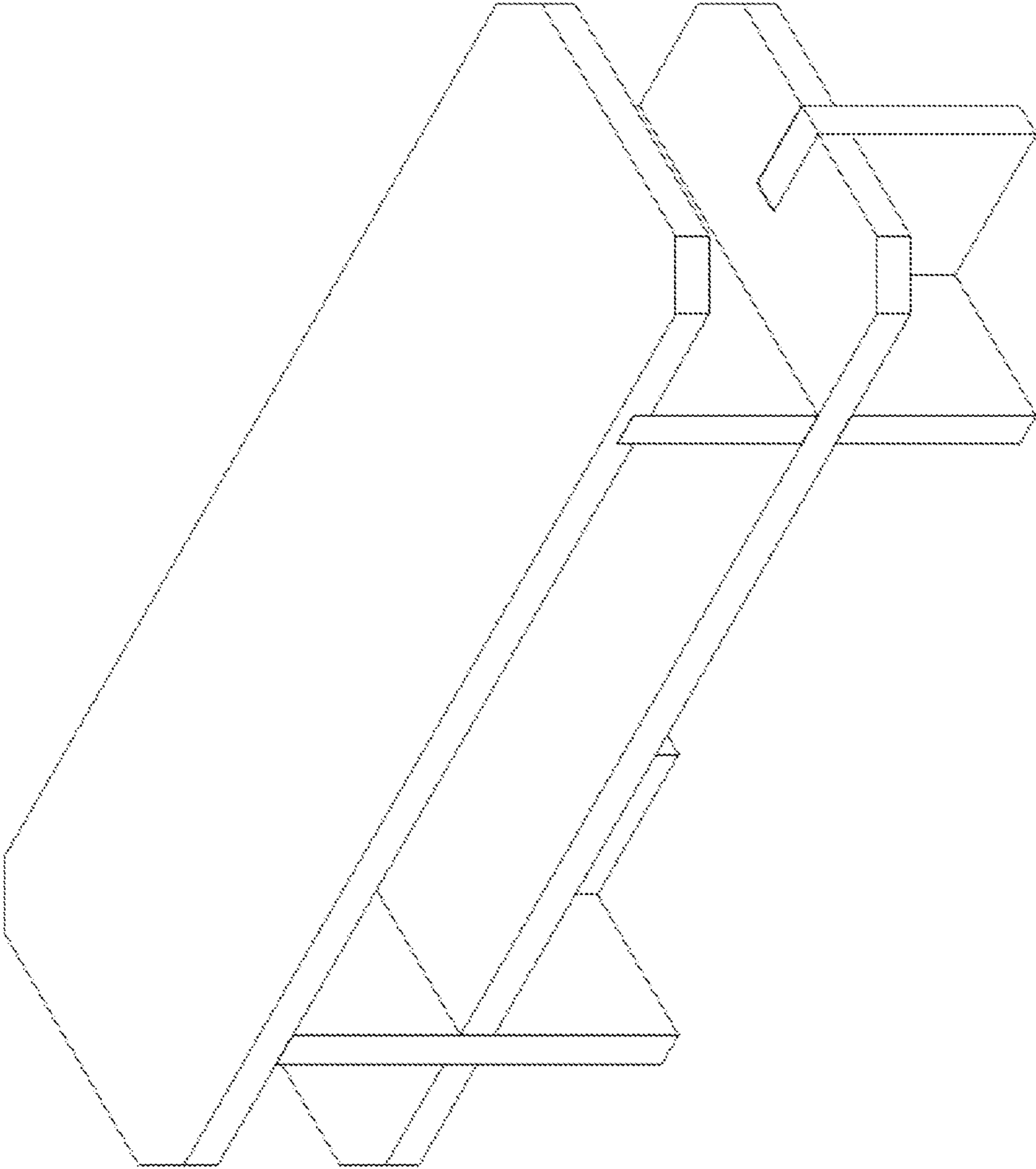


FIG. 1

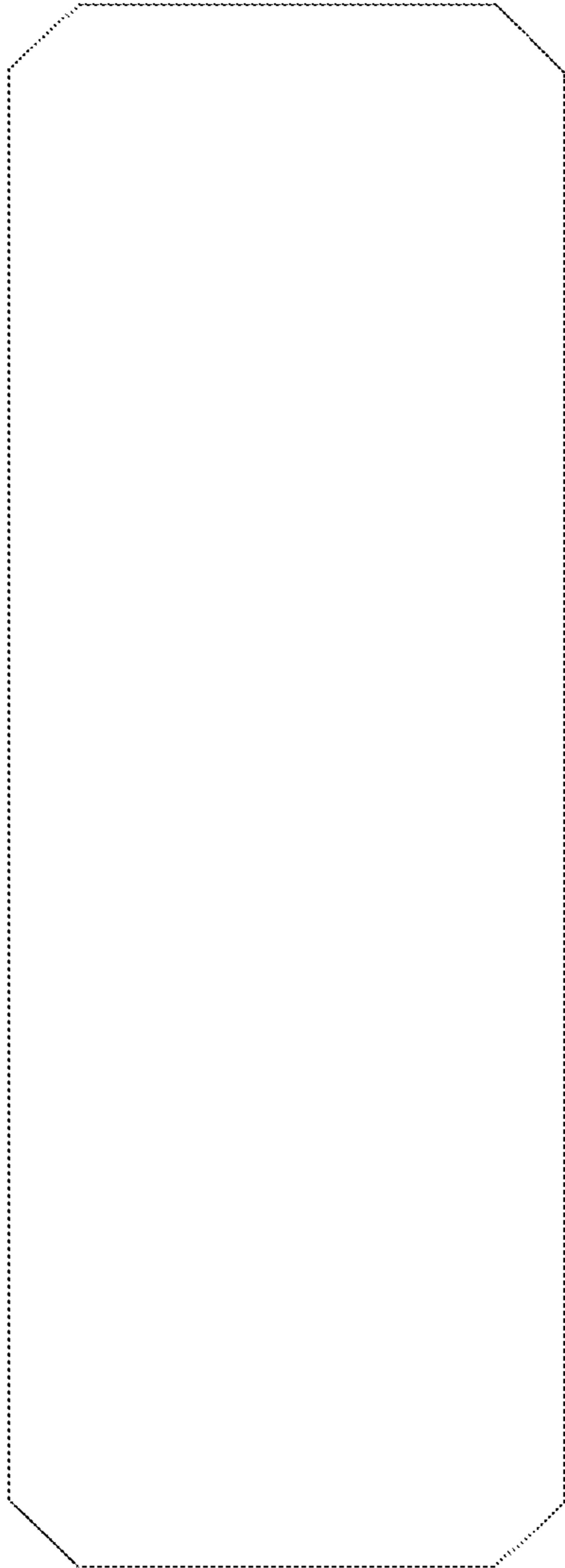


FIG. 2

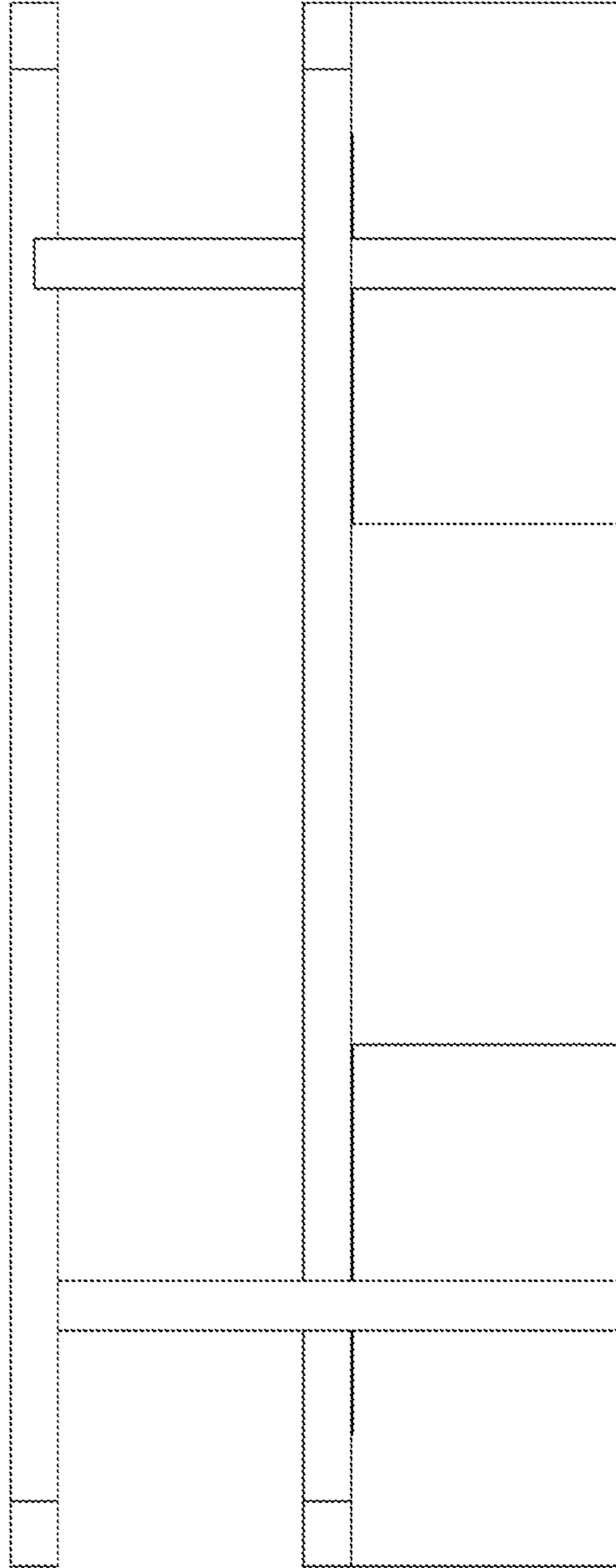


FIG. 3

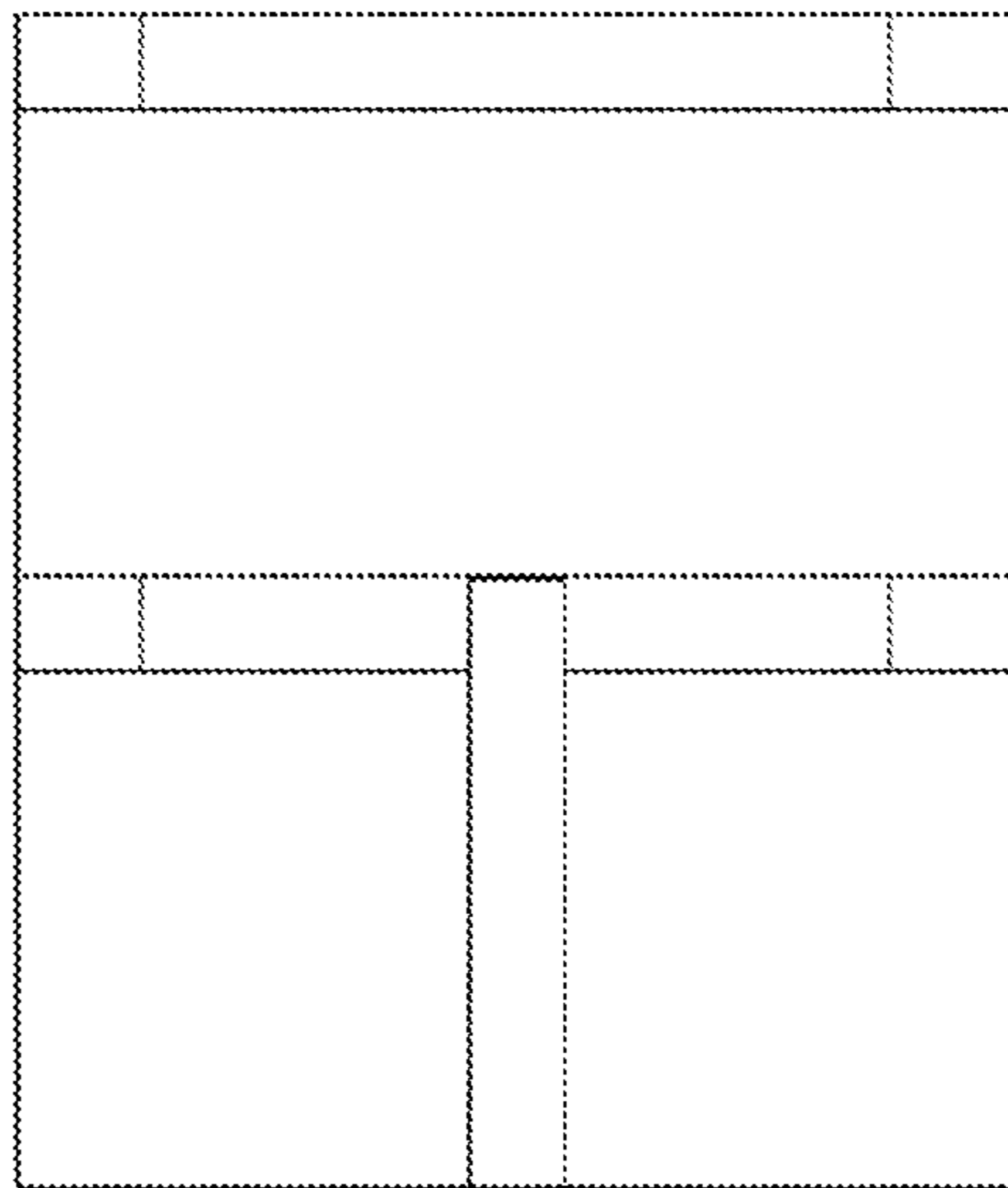


FIG. 4

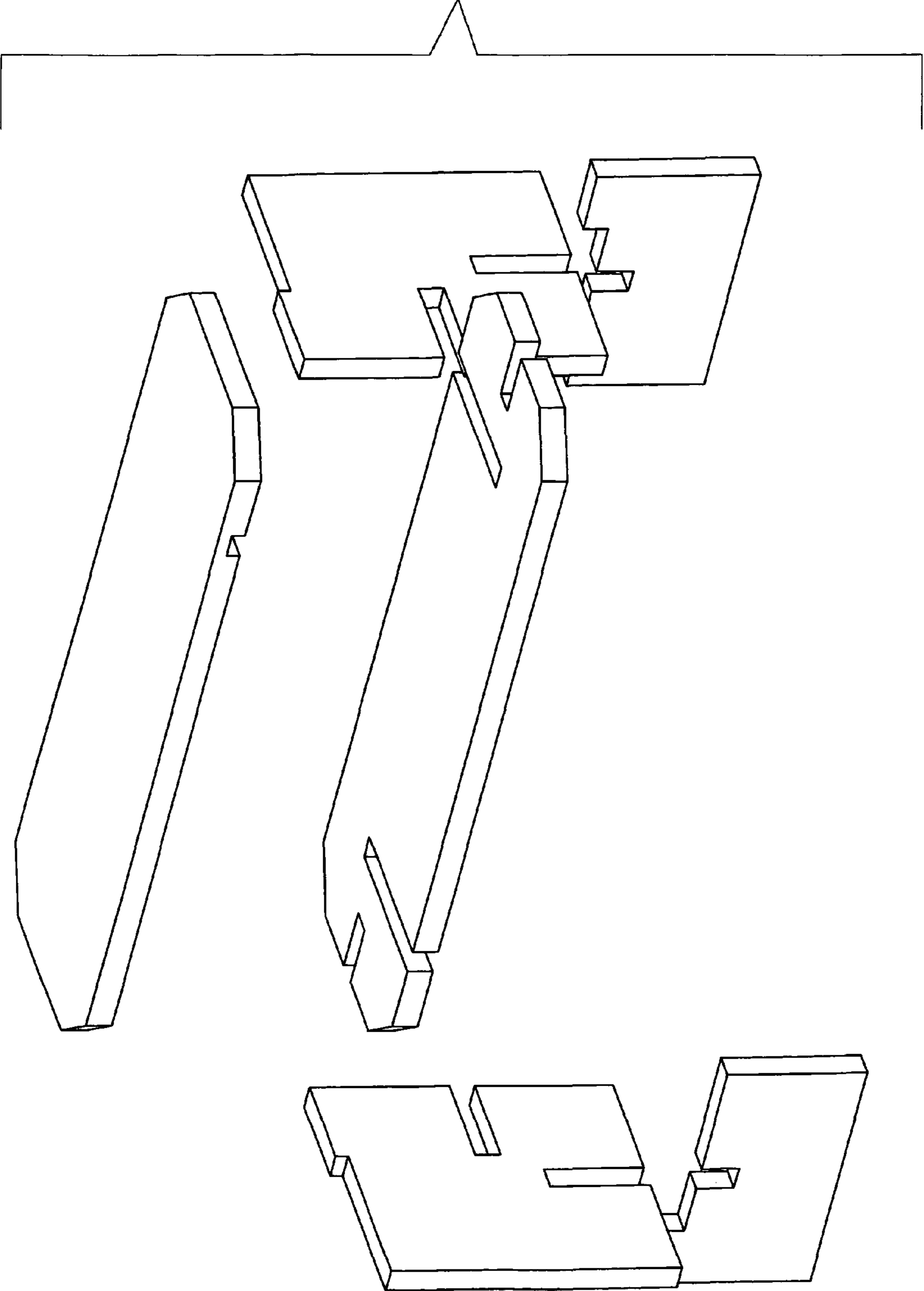


FIG. 5

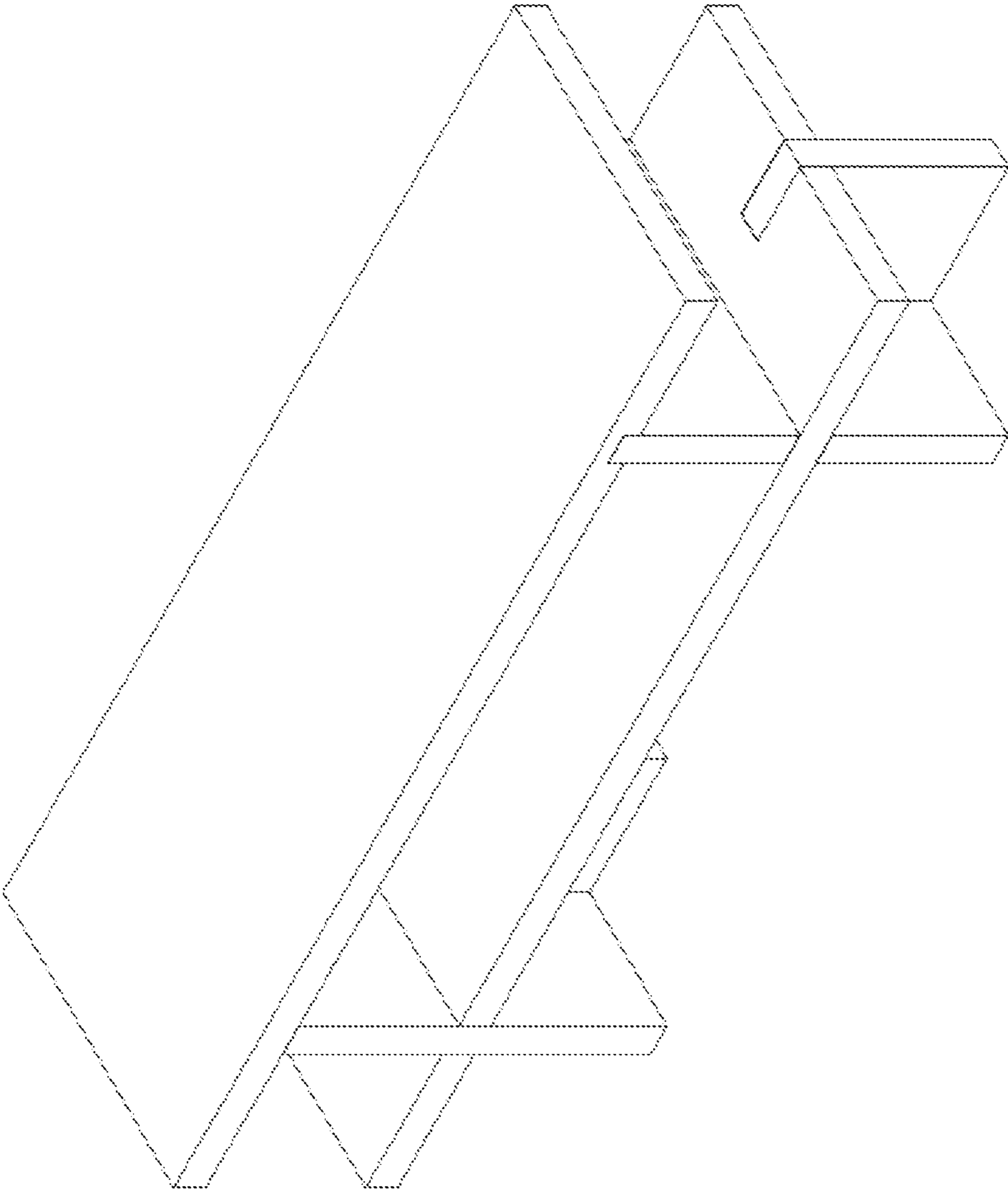


FIG. 6

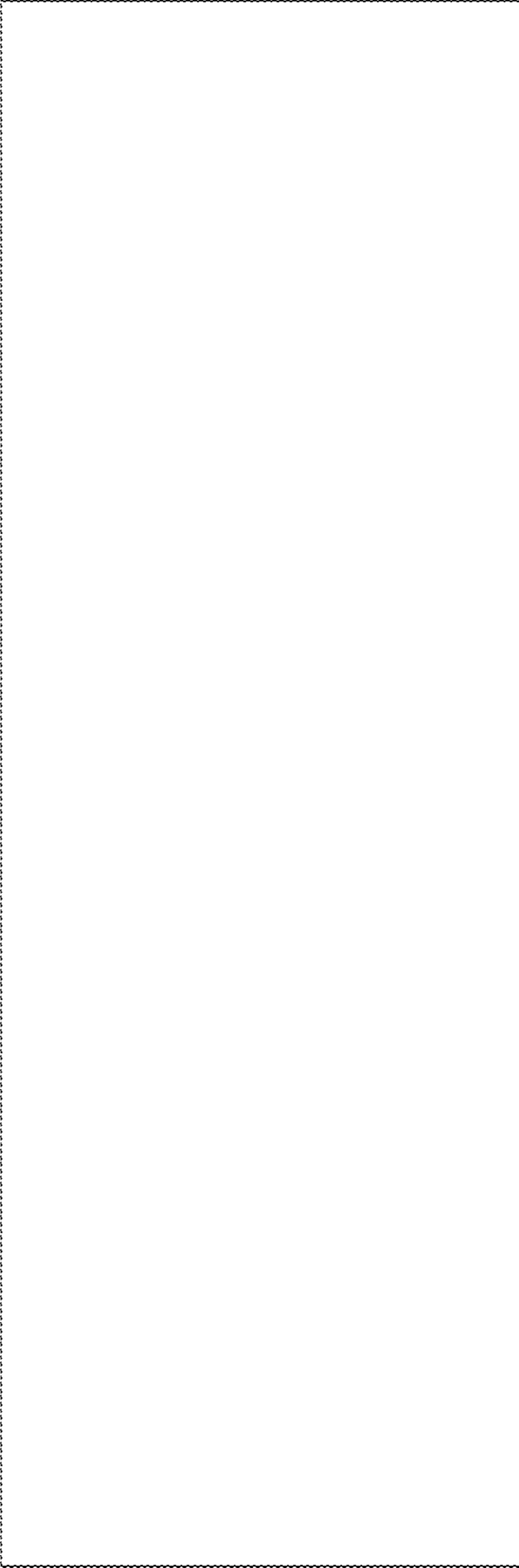


FIG. 7

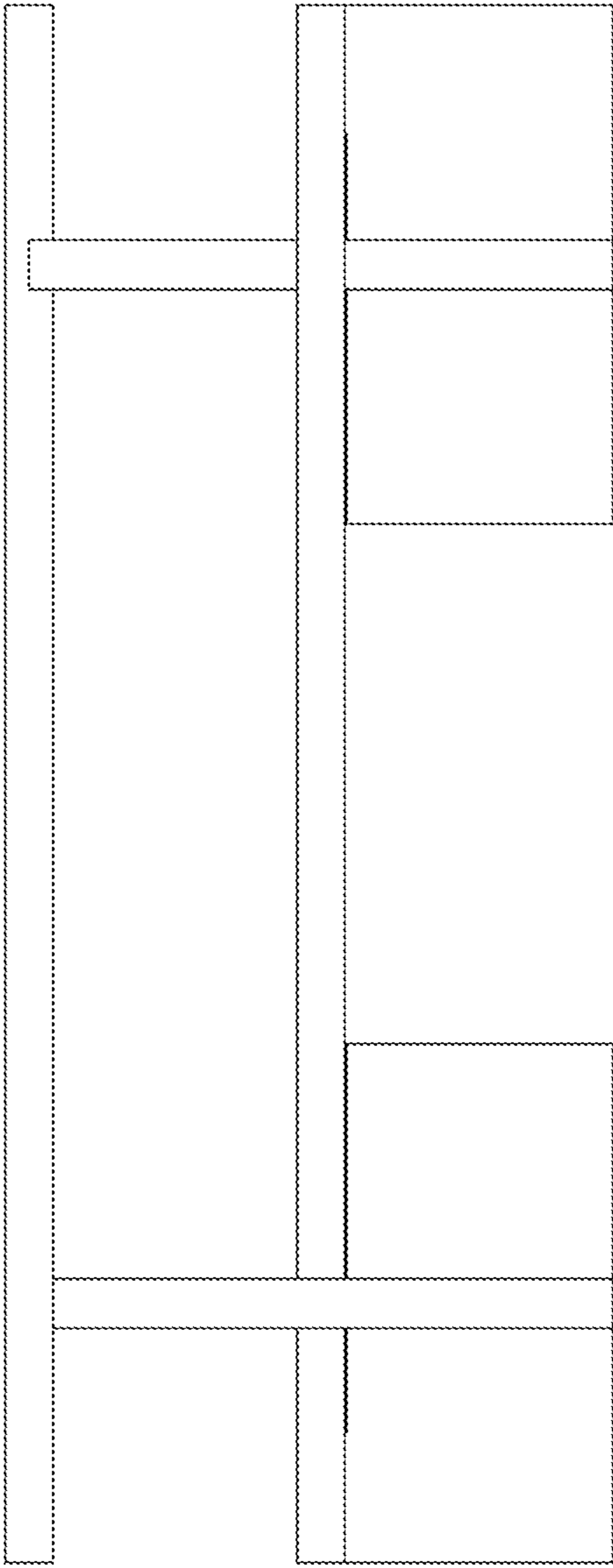


FIG. 8

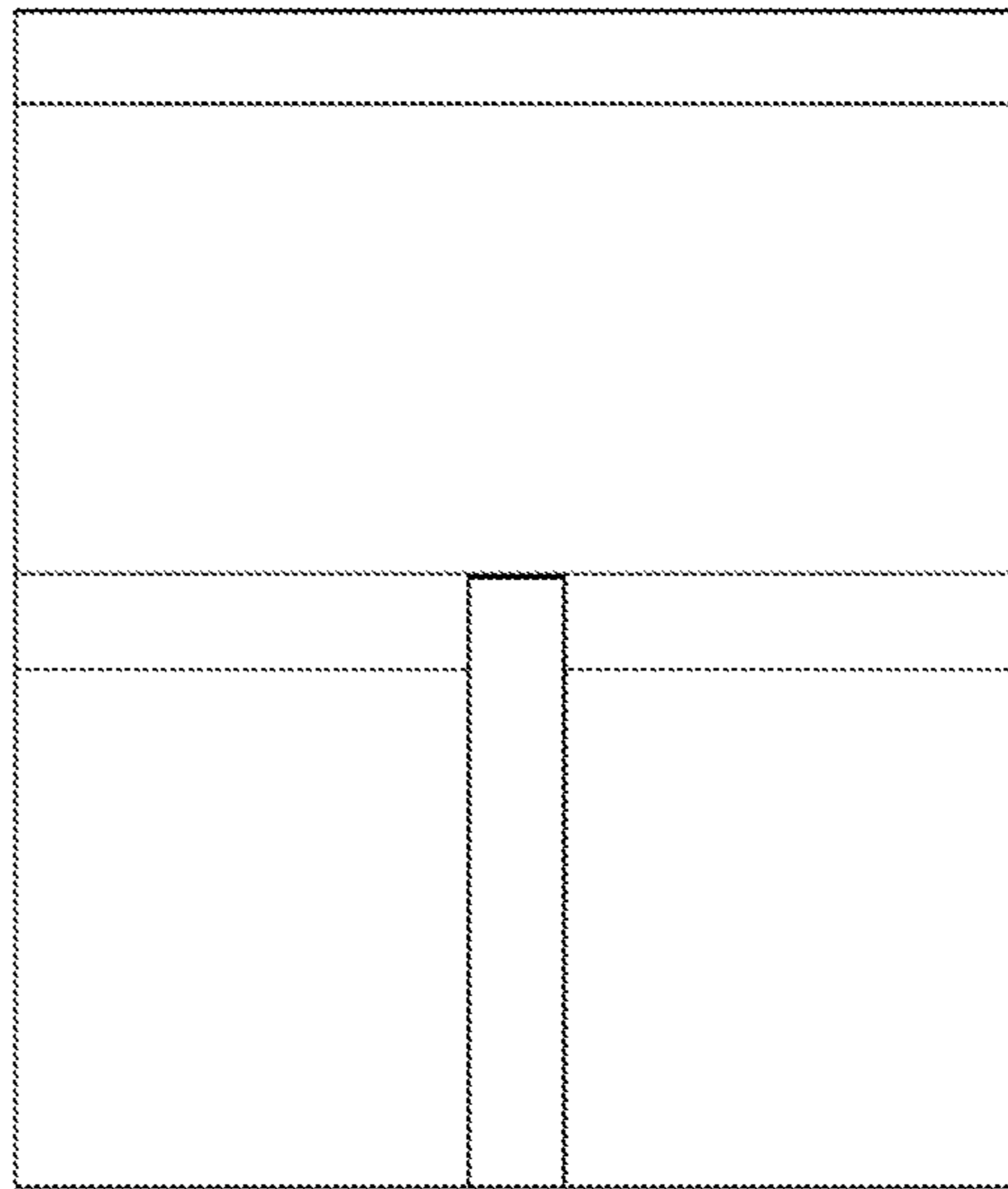


FIG. 9

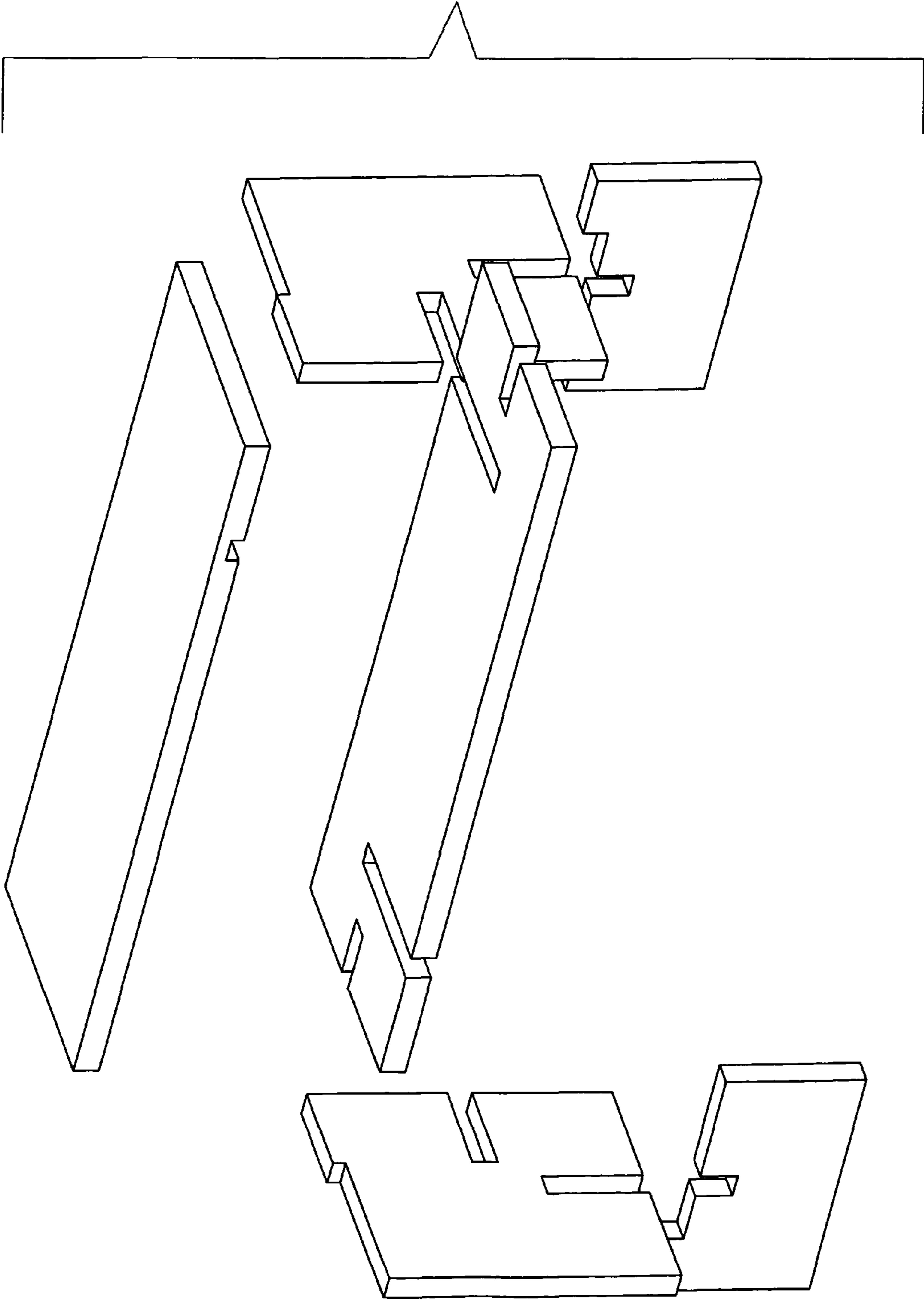


FIG. 10