



US00D697343S

(12) **United States Design Patent**
Calmus et al.

(10) **Patent No.:** **US D697,343 S**
(45) **Date of Patent:** **** Jan. 14, 2014**

(54) **TABLE RESEMBLING A CASSETTE TAPE**

(76) Inventors: **Taylor Calmus**, Los Angeles, CA (US);
Justin Nanfelt, Los Angeles, CA (US);
Zach Calmus, Sioux Falls, SD (US)

(**) Term: **14 Years**

(21) Appl. No.: **29/425,517**

(22) Filed: **Jun. 23, 2012**

(51) **LOC (10) Cl.** **06-03**

(52) **U.S. Cl.**
USPC **D6/688**

(58) **Field of Classification Search**
USPC D6/691, 691.1, 691.2, 691.3, 691.8,
D6/692.1, 645, 688, 707.1; 108/150,
108/153.1, 156, 161; 248/188, 188.1,
248/188.7; D14/476

See application file for complete search history.

(56) **References Cited**

U.S. PATENT DOCUMENTS

D111,958 S	9/1938	Davis	
D204,468 S *	4/1966	Smedley	D21/564
D243,707 S	3/1977	Brass	
D271,198 S *	11/1983	Shimizu	D14/476
D316,258 S *	4/1991	Yonehara	D14/476
D329,855 S *	9/1992	Horikiri et al.	D14/476
D337,325 S *	7/1993	Nakamaru	D14/476
D422,809 S *	4/2000	Maitland-Smith	D6/451
D459,113 S	6/2002	Field	

D466,726 S	12/2002	Heil
D503,299 S	3/2005	Bergman
D555,939 S	11/2007	Woodward et al.
D572,040 S	7/2008	D'Onofrio
D604,963 S	12/2009	Potter
D642,825 S	8/2011	Hayek
D644,455 S	9/2011	Wilson et al.

* cited by examiner

Primary Examiner — Janice Seeger

(74) *Attorney, Agent, or Firm* — QuickPatents; Kevin Prince

(57) **CLAIM**

We claim the ornamental design for a table resembling a cassette tape, as shown and described.

DESCRIPTION

FIG. 1 is a perspective view of a table resembling a cassette tape, showing our new design with a door thereof in a closed position;

FIG. 2 is a front elevational view of FIG. 1;

FIG. 3 is a rear elevational view of FIG. 1;

FIG. 4 is a right-side elevational view of FIG. 1, the left-side elevational view being a mirror image thereof;

FIG. 5 is a top plan view of FIG. 1;

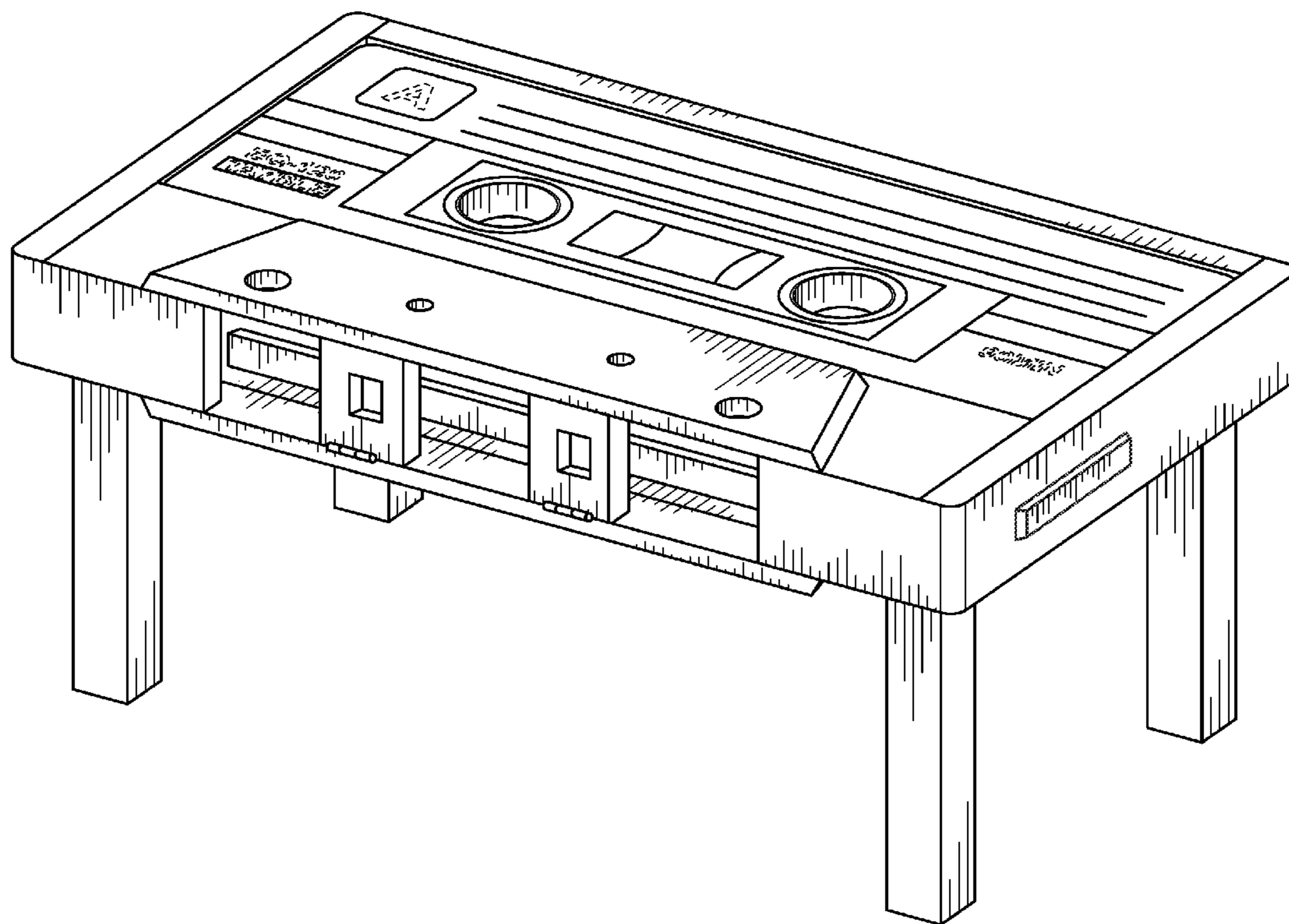
FIG. 6 is a bottom plan view of FIG. 1;

FIG. 7 is a front elevational view thereof, illustrated with the door thereof in an open position; and,

FIG. 8 is a top plan view of FIG. 7.

The broken lines showing text and other features in FIGS. 1, 5, 6 and 8 depict environmental matter and form no part of the claimed design.

1 Claim, 5 Drawing Sheets



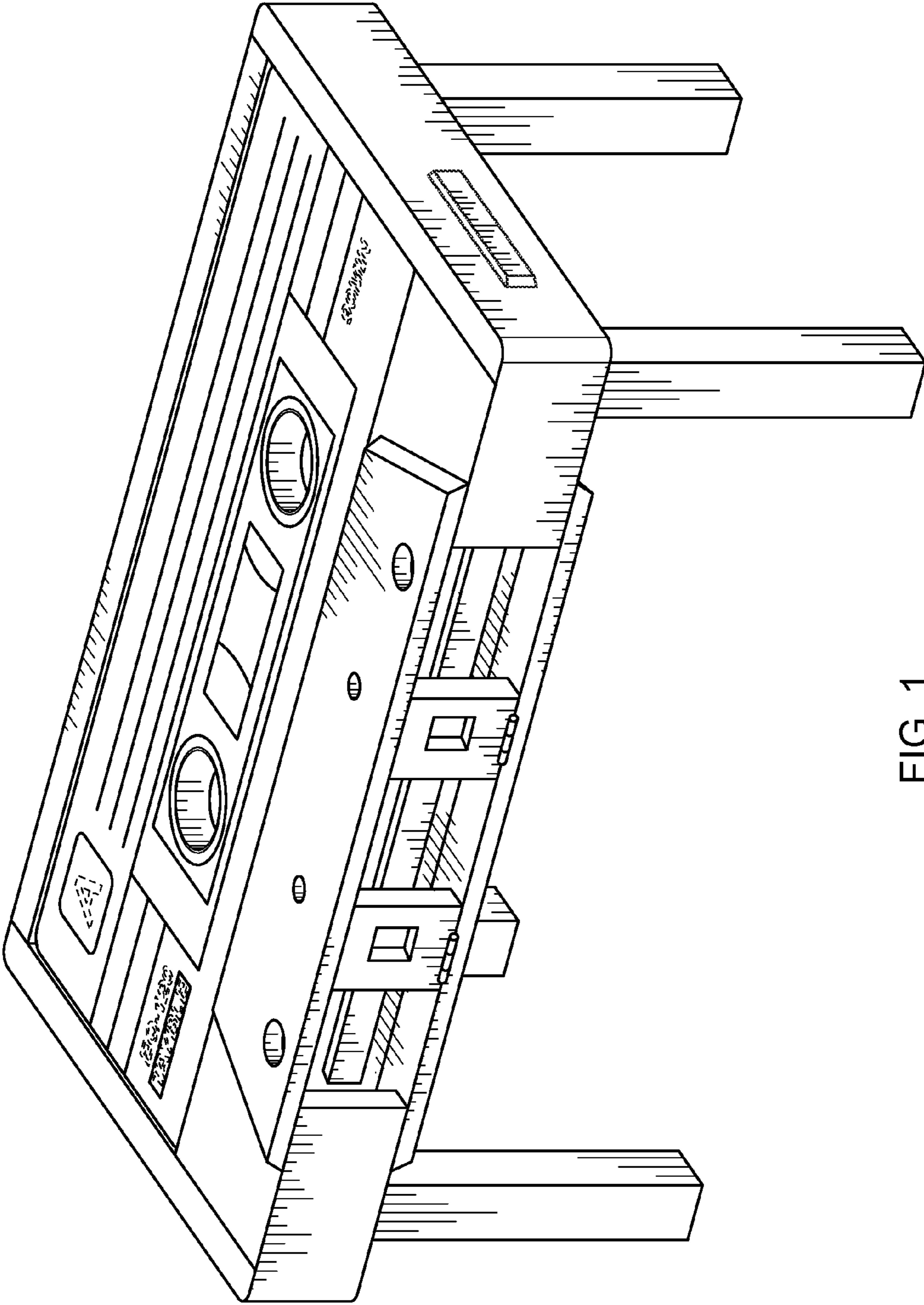


FIG. 1

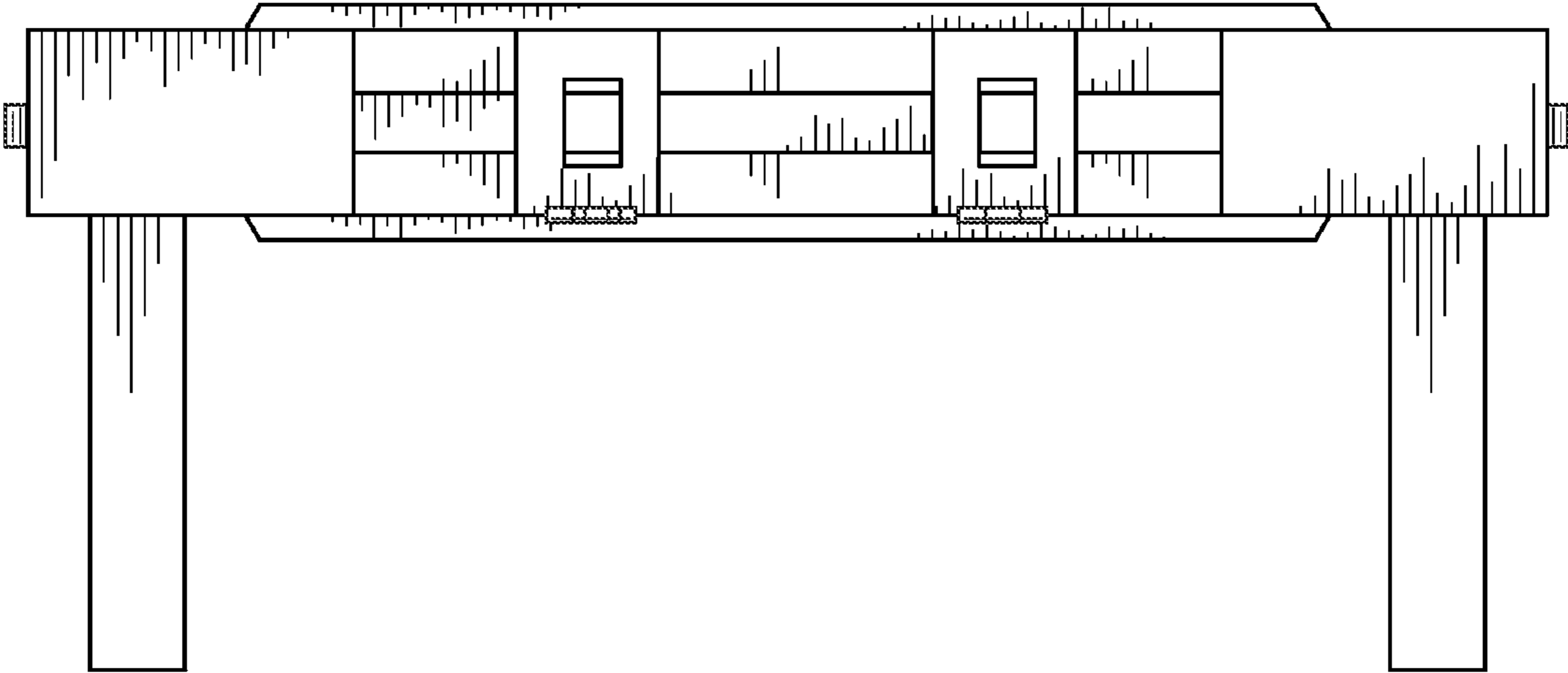


FIG. 2

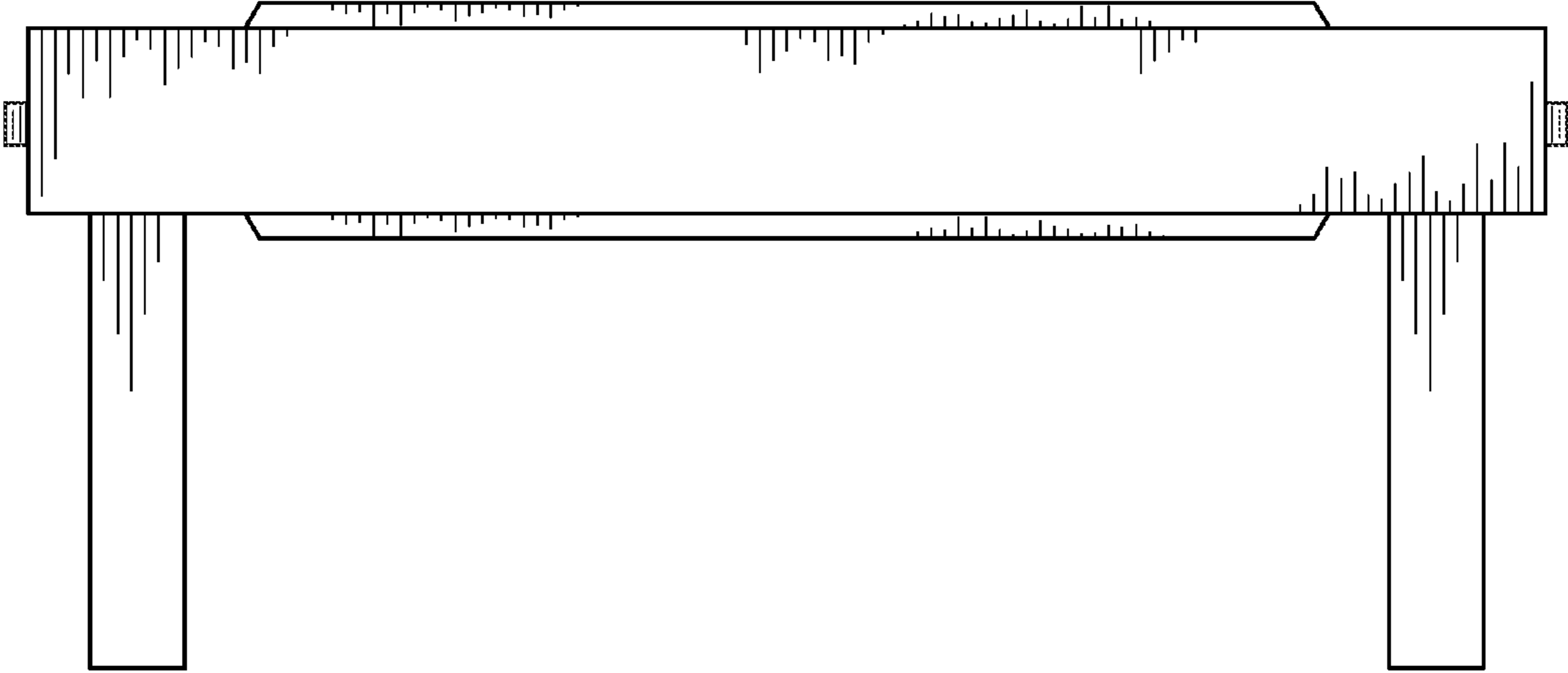


FIG. 3

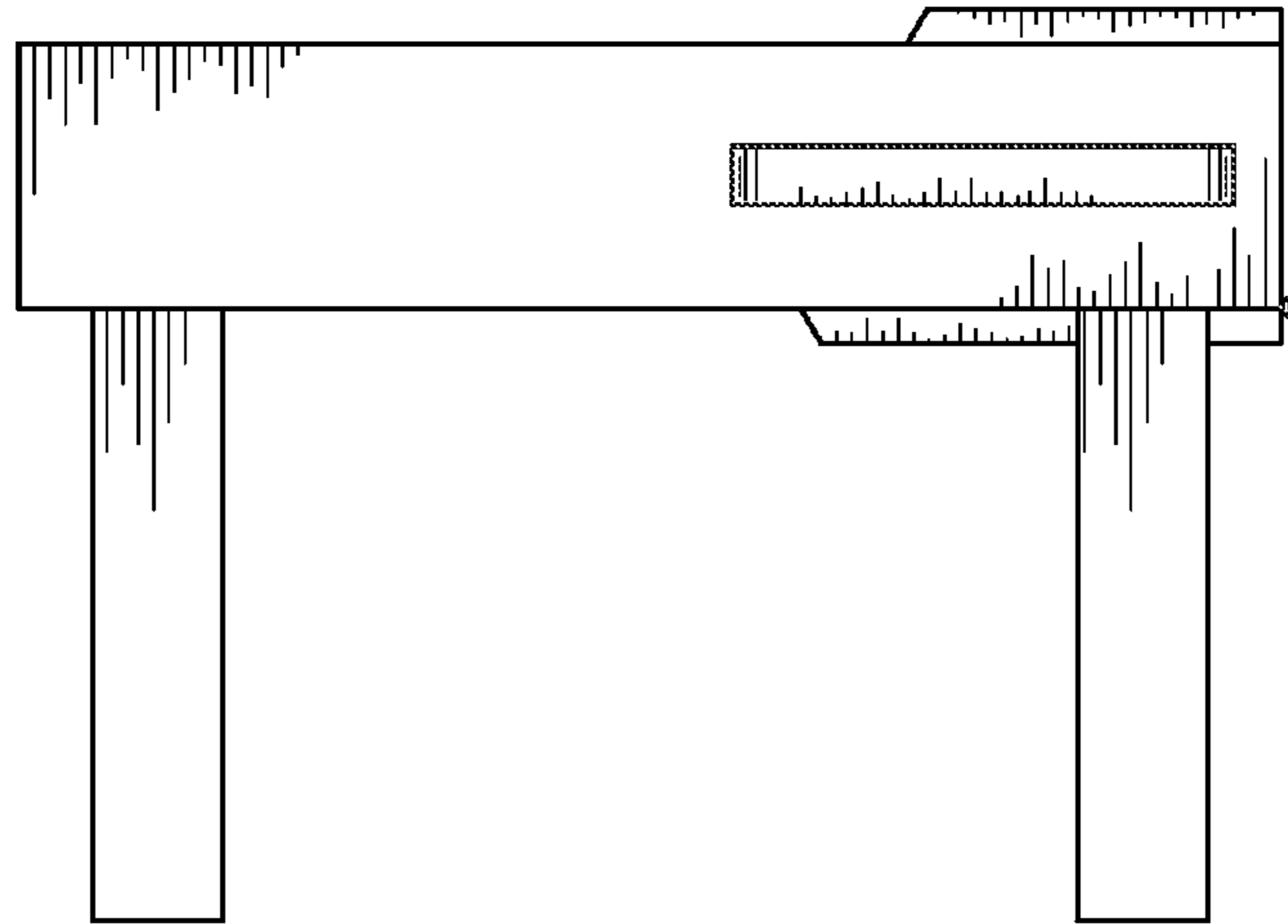


FIG. 4

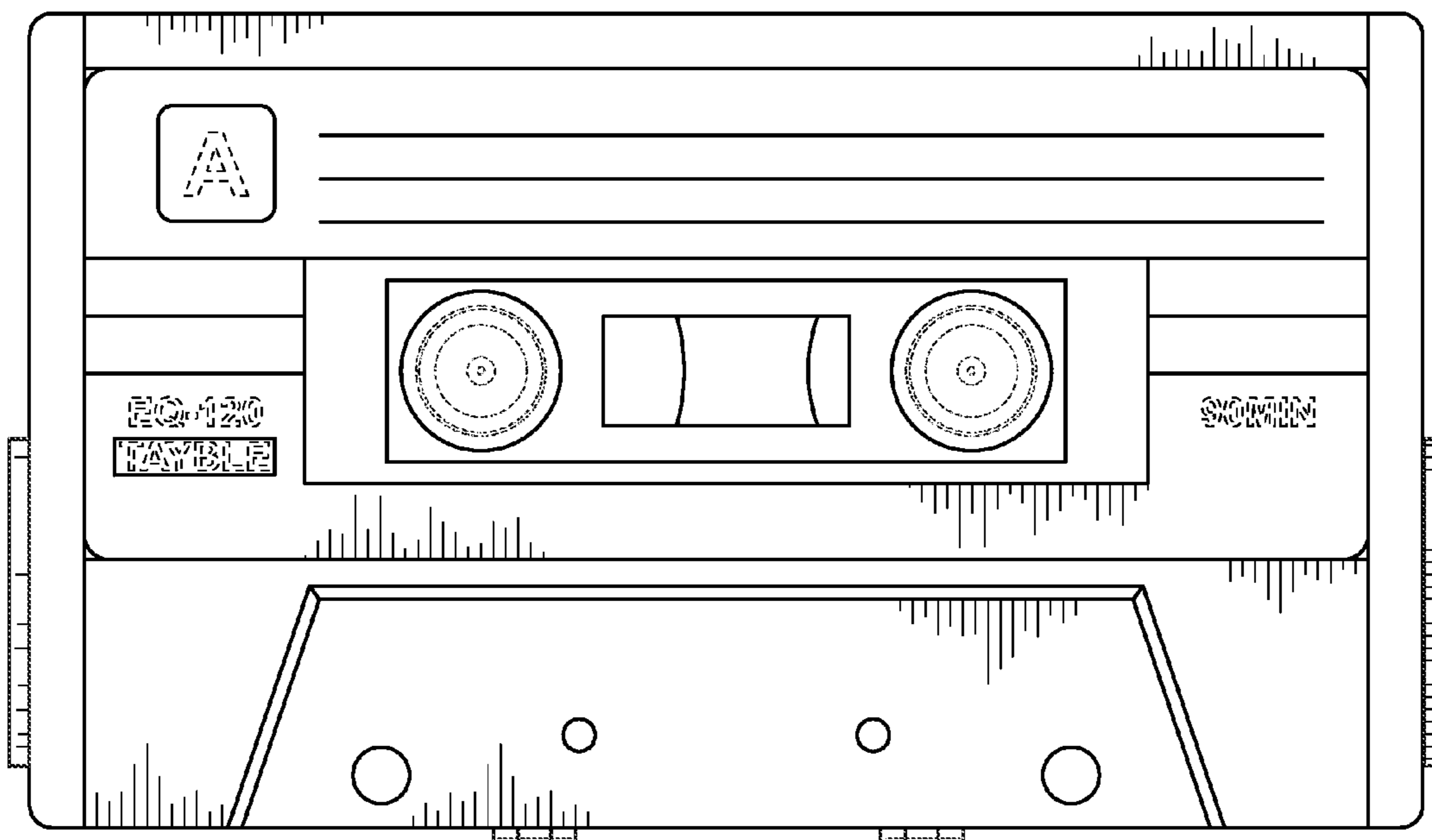


FIG. 5

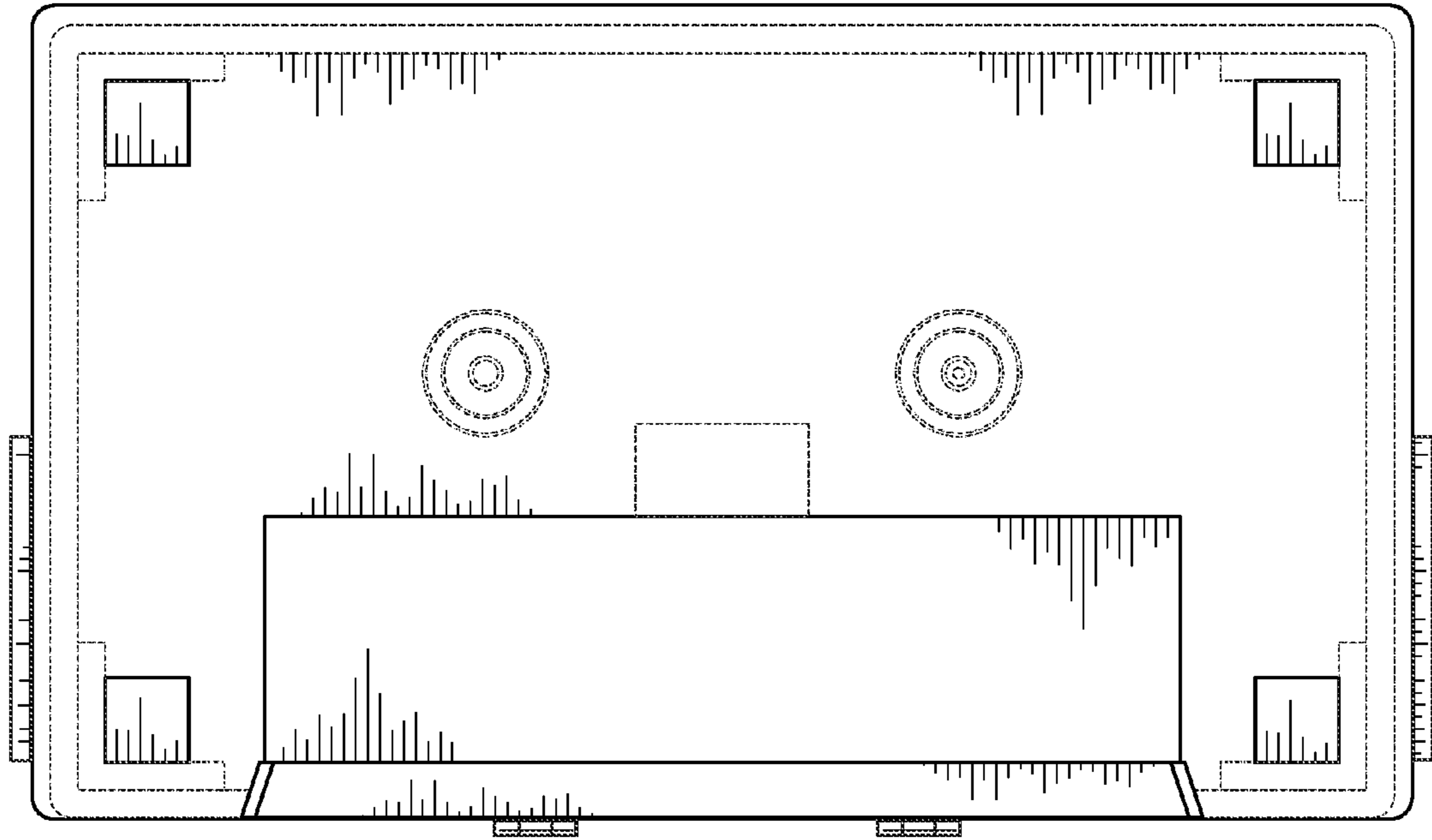


FIG. 6

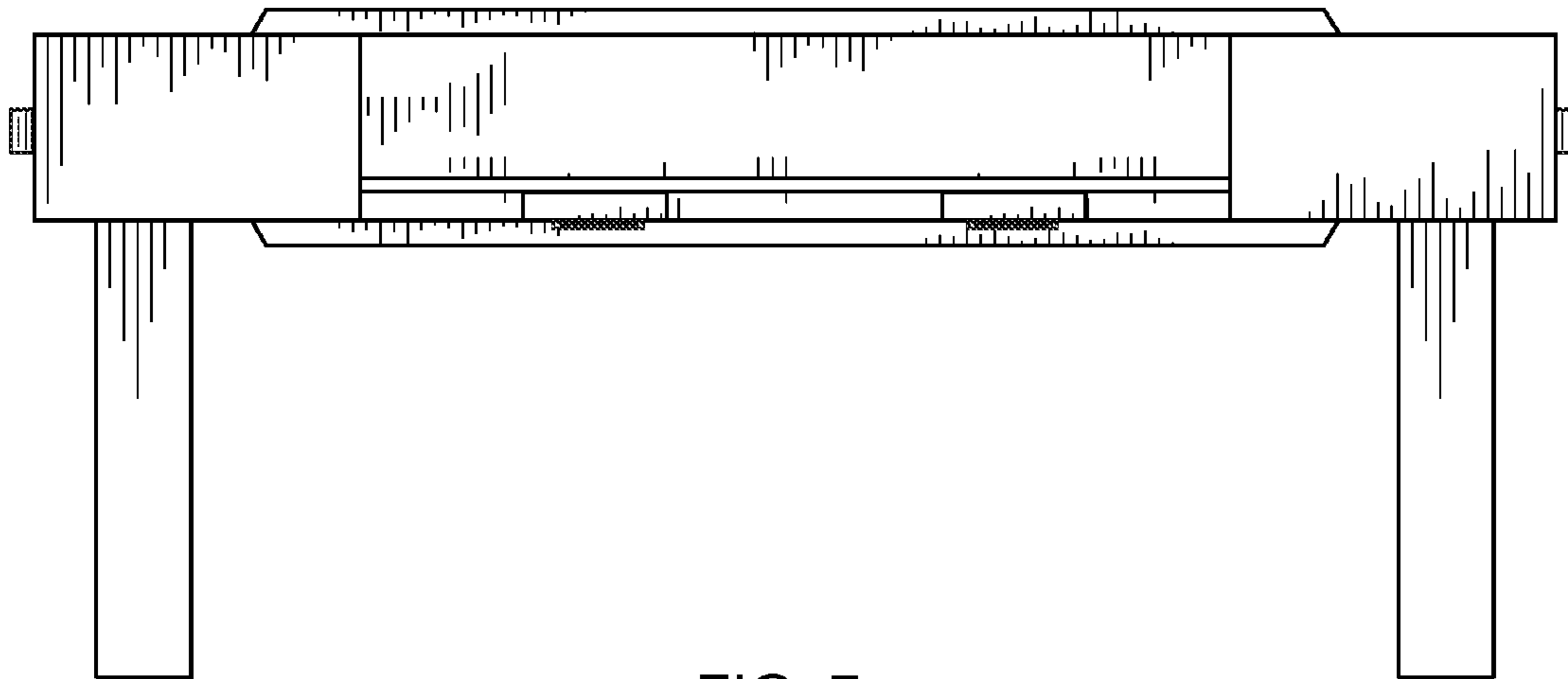


FIG. 7

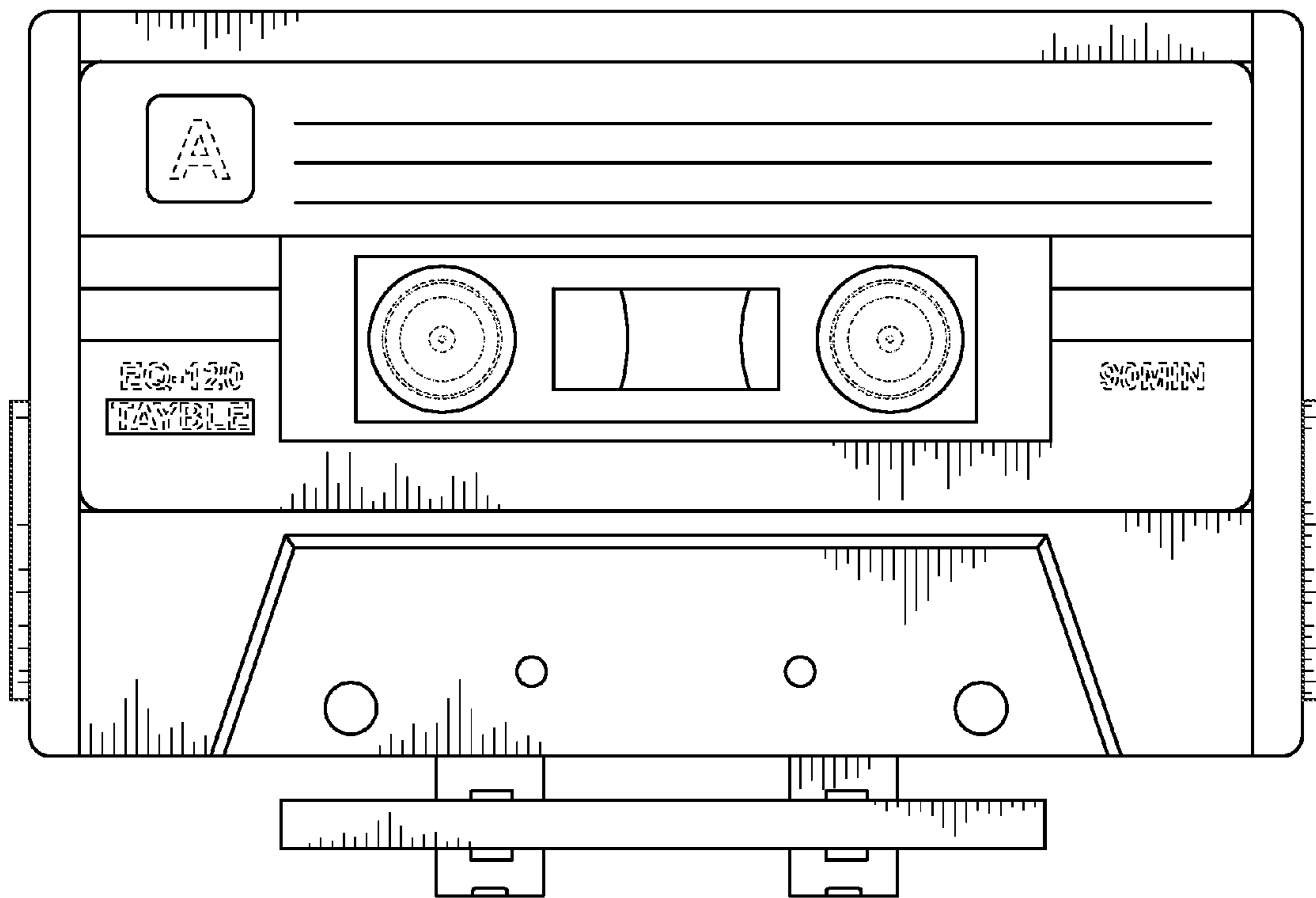


FIG. 8