



US00D697339S

(12) **United States Design Patent**
Cobb et al.

(10) **Patent No.:** **US D697,339 S**
(45) **Date of Patent:** **** Jan. 14, 2014**

(54) **DISPLAY CABINET**
(71) Applicant: **Conopco, Inc.**, Englewood Cliffs, NJ
(US)
(72) Inventors: **Jamie Cobb**, London (GB); **Antoni Kyriacos Papaloizou**, London (GB); **Michael James Webster**, London (GB)
(73) Assignee: **Conopco Inc.**, Englewood Cliffs, NJ
(US)
(**) Term: **14 Years**
(21) Appl. No.: **29/436,471**
(22) Filed: **Nov. 6, 2012**

D510,802 S * 10/2005 Sagol D3/273
D511,632 S * 11/2005 Lown D6/667
D658,907 S * 5/2012 Peel D6/667

OTHER PUBLICATIONS

Co-pending U.S. Appl. No. 29/436,460, filed Nov. 6, 2012.

* cited by examiner

Primary Examiner — Mimoso De

(74) *Attorney, Agent, or Firm* — Gerard J. McGowan, Jr.

(30) **Foreign Application Priority Data**
May 11, 2012 (EP) 002040519-0001

(57) **CLAIM**
The ornamental design for a display cabinet, as shown and described.

(51) **LOC (10) Cl.** **06-04**
(52) **U.S. Cl.**
USPC **D6/667**

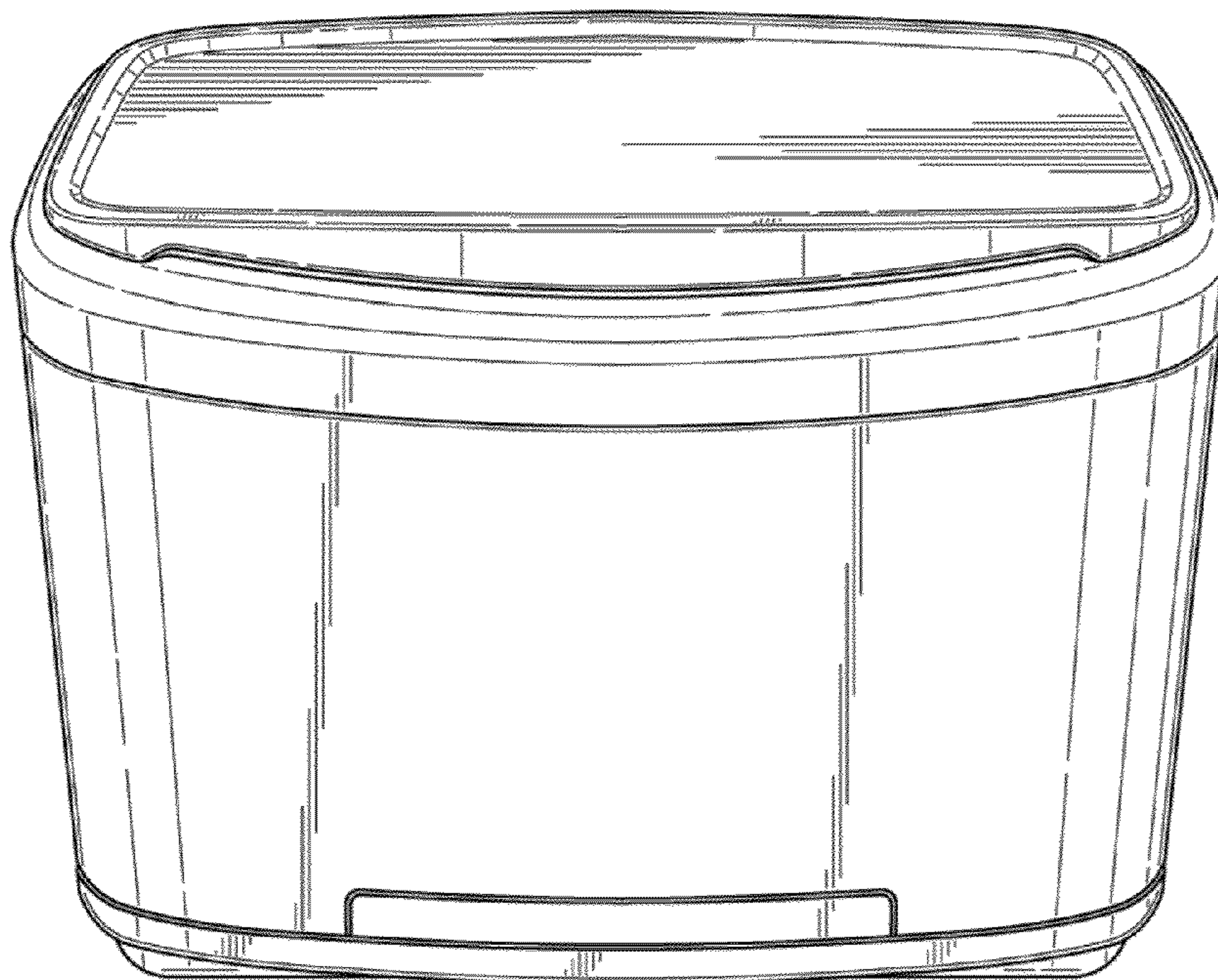
DESCRIPTION

(58) **Field of Classification Search**
USPC D6/663, 664, 667.1, 668, 668.1;
312/117, 138.1, 204, 213, 249.1,
312/257.1, 290; D3/272, 273, 294
See application file for complete search history.

FIG. 1 is a perspective view in accordance with our new design,
FIG. 2 is a front view thereof,
FIG. 3 is a rear view thereof,
FIG. 4 is a left side view thereof,
FIG. 5 is a right side view thereof,
FIG. 6 is a top view thereof; and,
FIG. 7 is an underneath plan view thereof.

(56) **References Cited**
U.S. PATENT DOCUMENTS
D361,220 S * 8/1995 Cacciola D6/667
D389,646 S * 1/1998 Sankey et al. D3/667

1 Claim, 4 Drawing Sheets



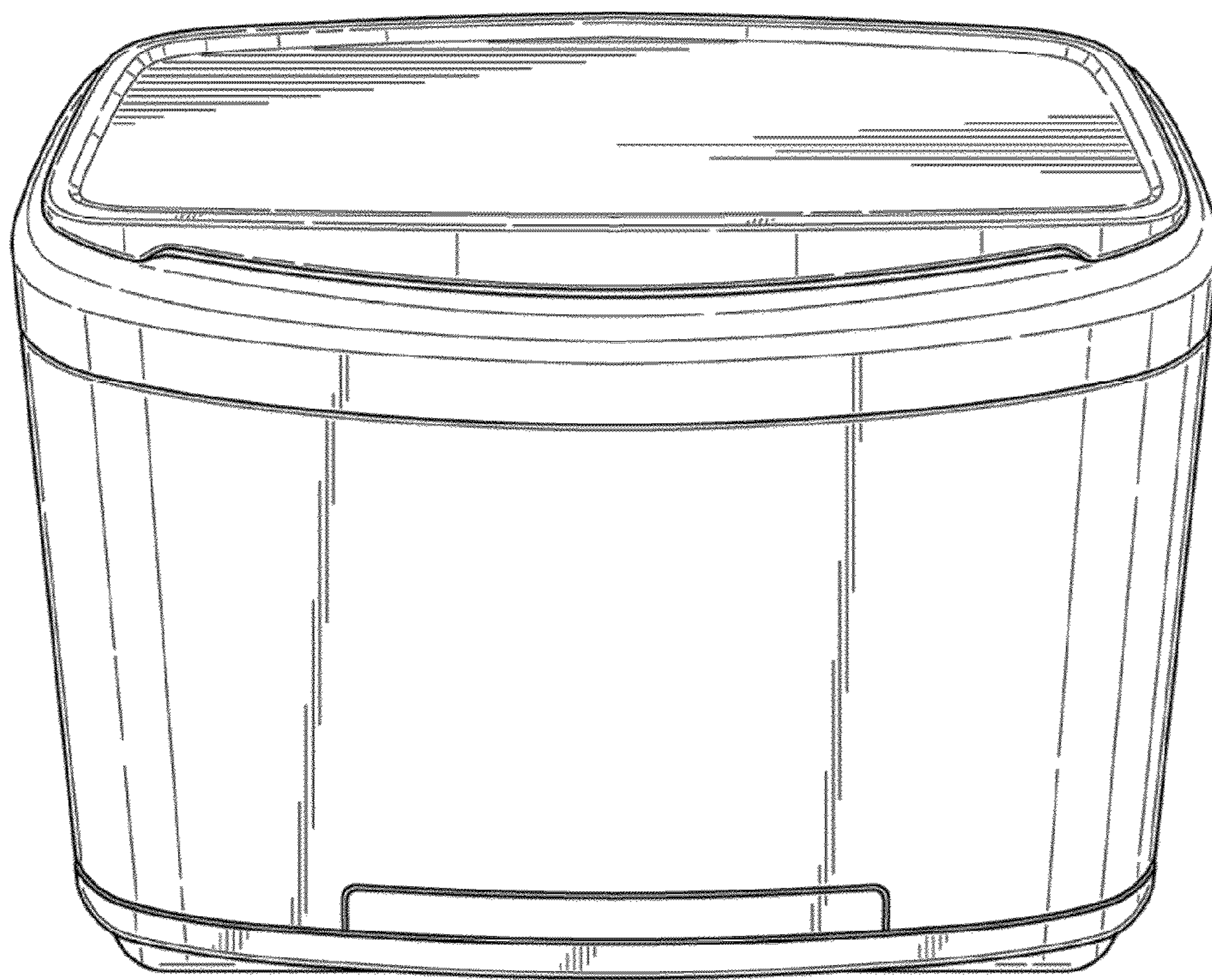


Fig. 1

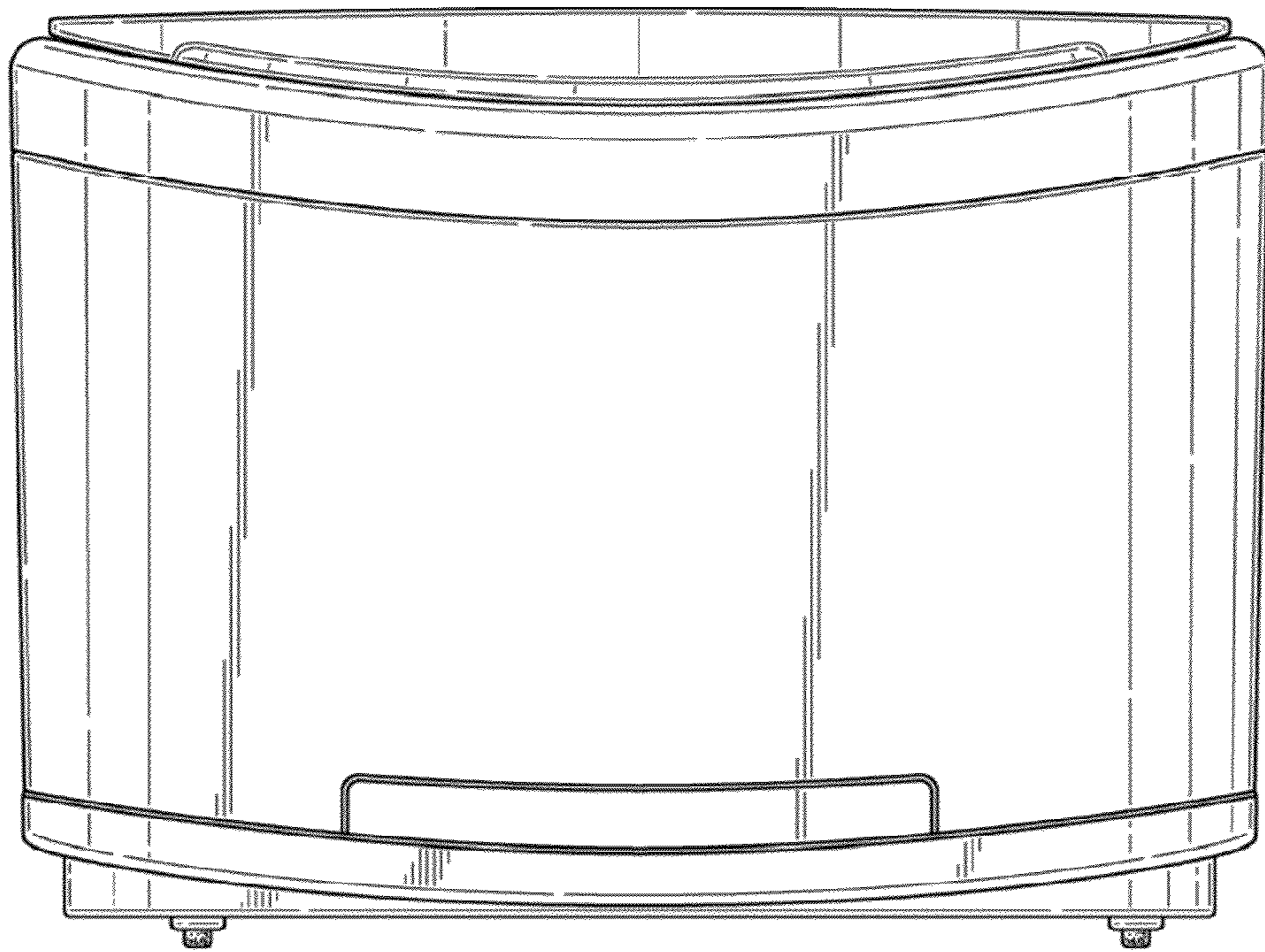


Fig. 2

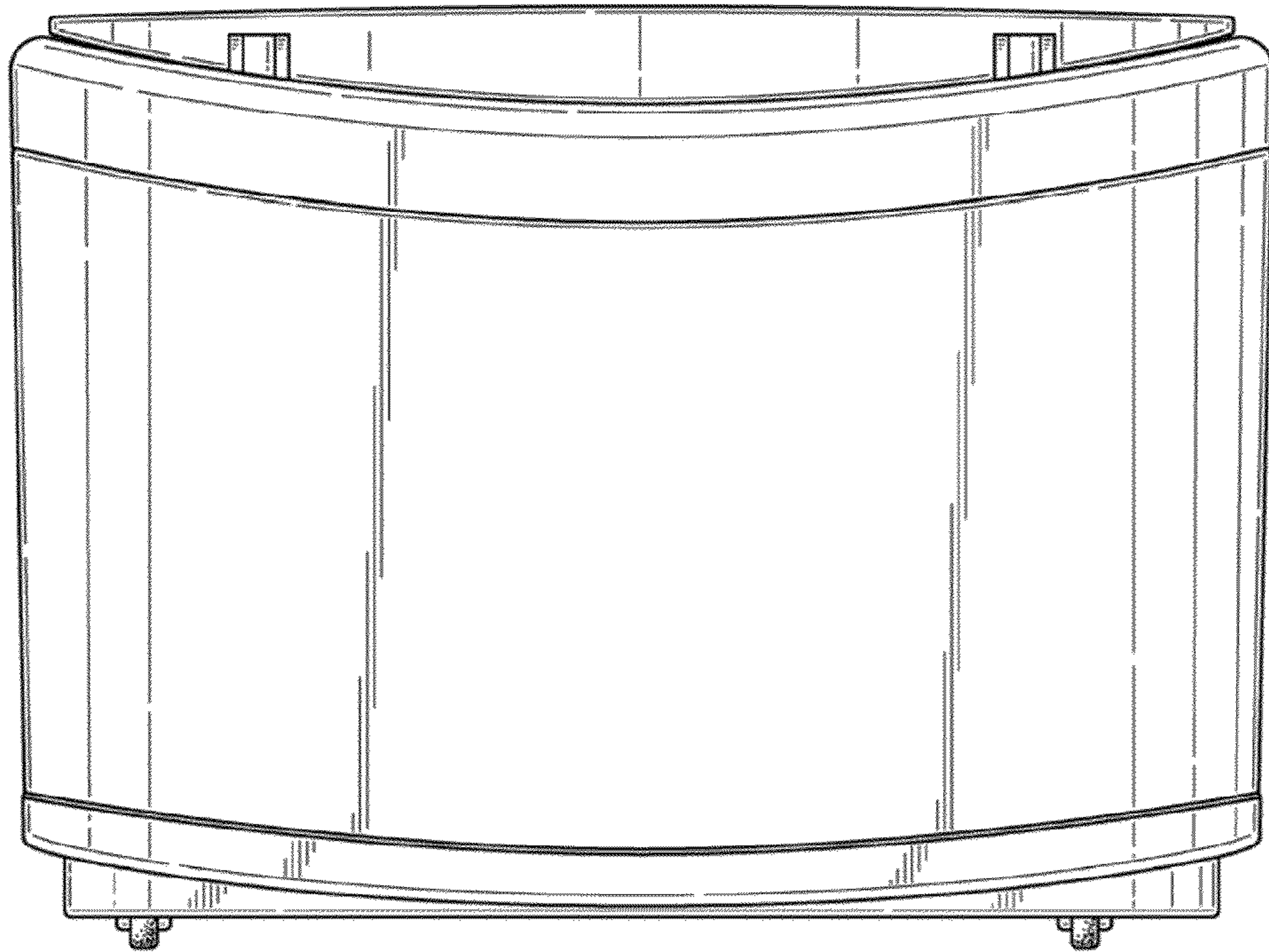


Fig. 3

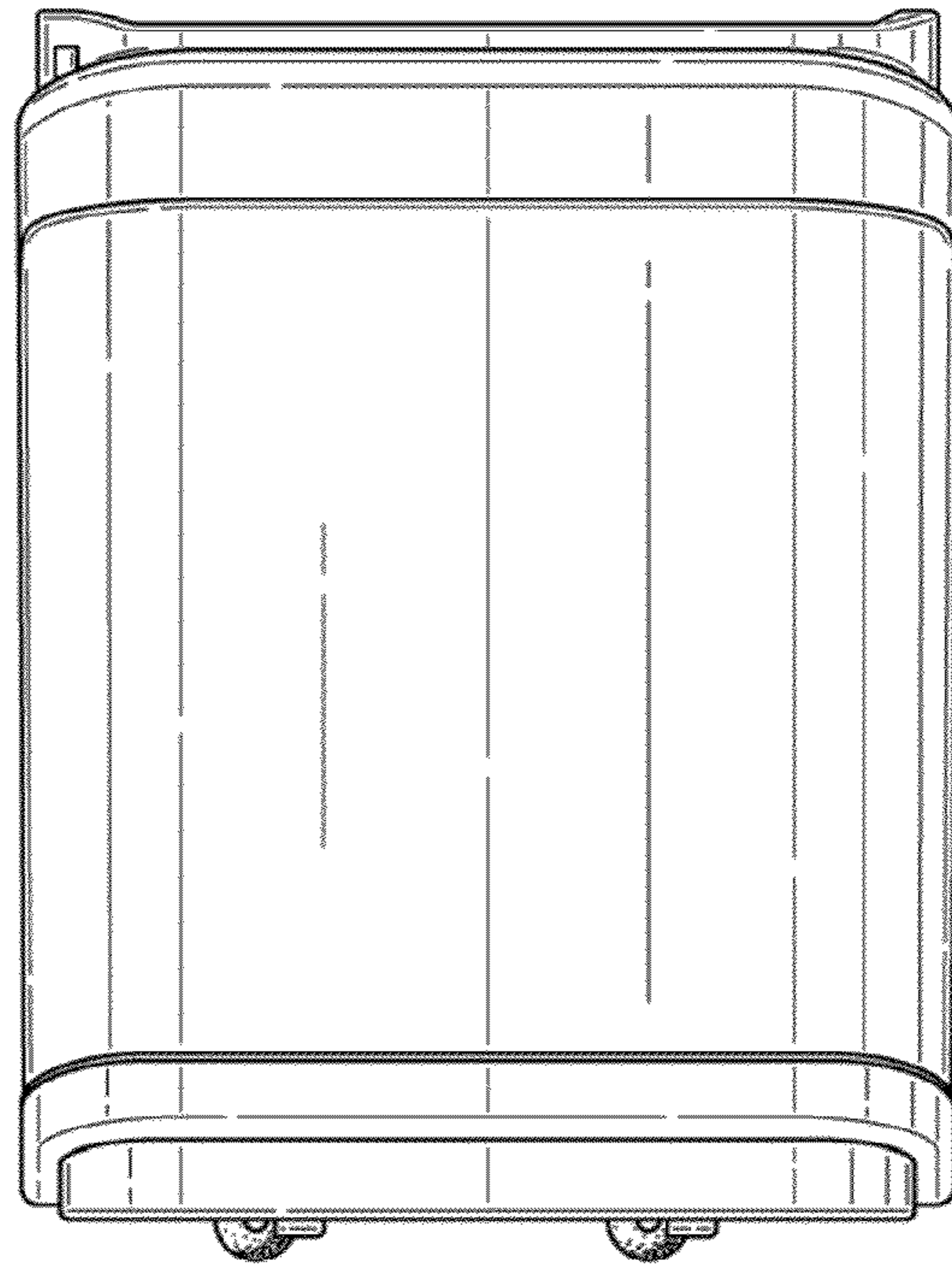


Fig. 4

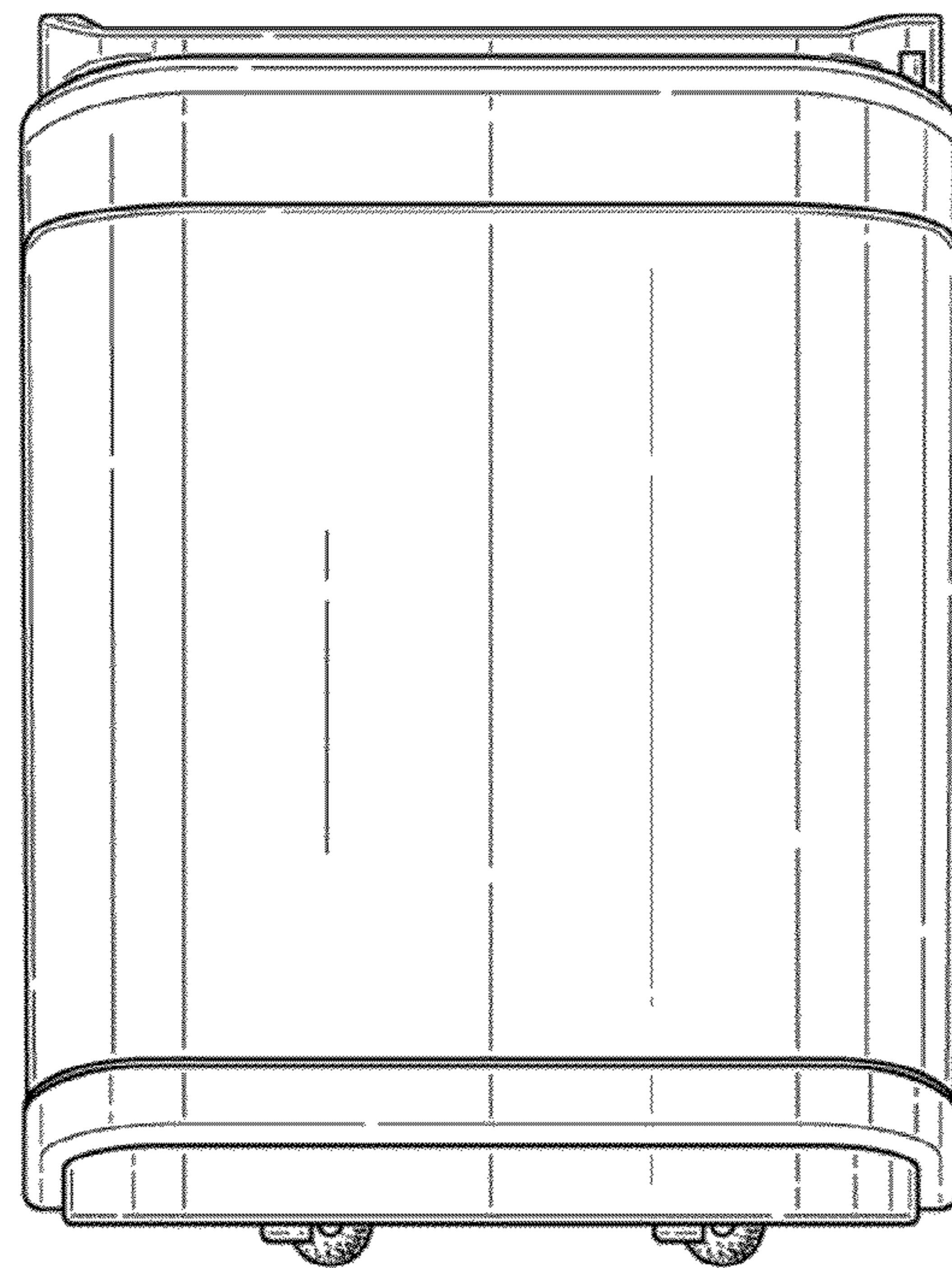


Fig. 5

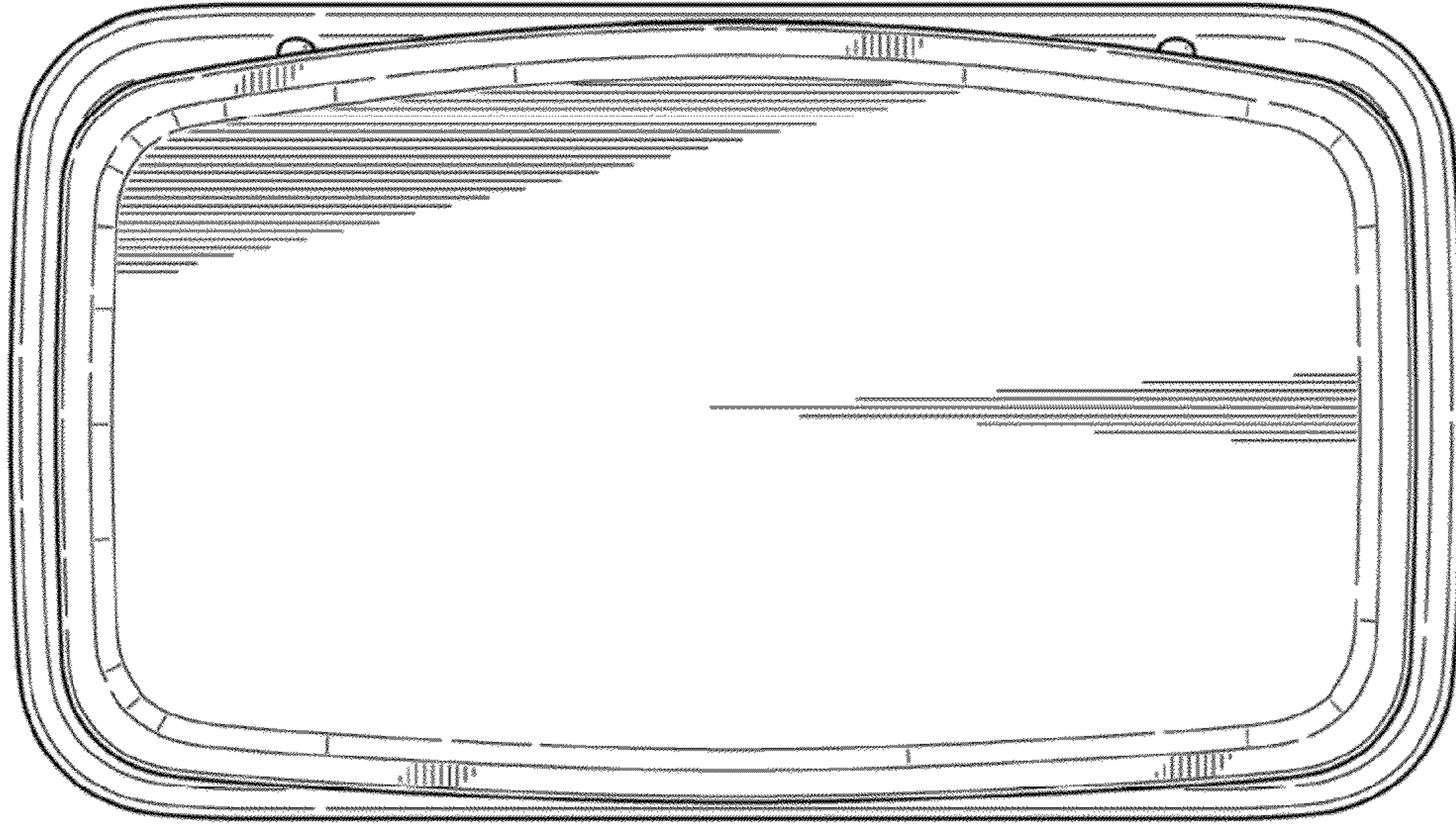


Fig. 6

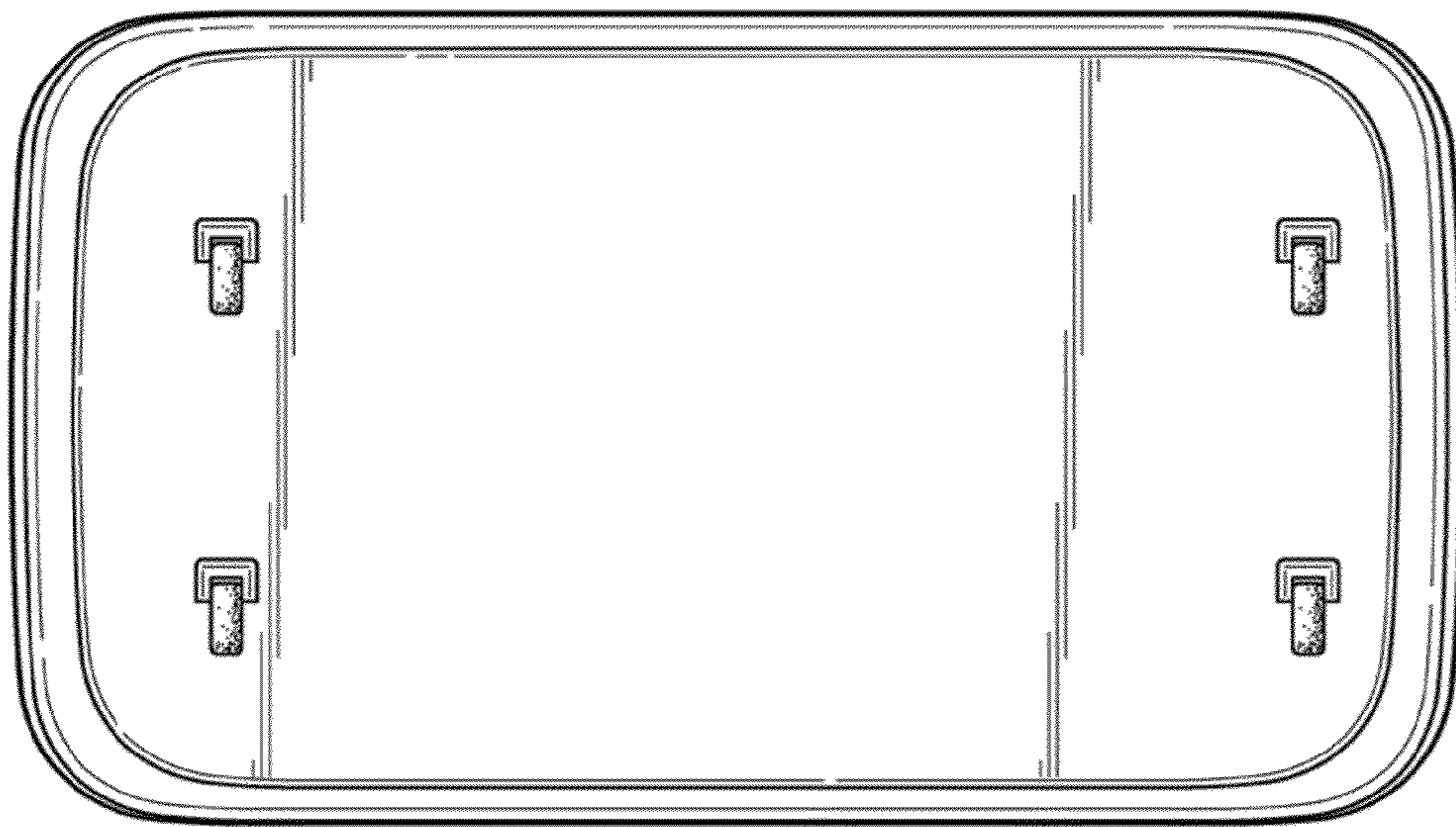


Fig. 7