



US00D697338S

(12) **United States Design Patent**  
**Cobb et al.**

(10) **Patent No.:** **US D697,338 S**  
(45) **Date of Patent:** **\*\* Jan. 14, 2014**

(54) **DISPLAY CABINET**

(71) Applicant: **Conopco, Inc.**, Englewood Cliffs, NJ  
(US)  
(72) Inventors: **Jamie Cobb**, London (GB); **Antoni Kyriacos Papaloizou**, London (GB);  
**Michael James Webster**, London (GB)

(73) Assignee: **Conopco, Inc.**, Englewood Cliffs, NJ  
(US)

(\*\*) Term: **14 Years**

(21) Appl. No.: **29/436,460**

(22) Filed: **Nov. 6, 2012**

(30) **Foreign Application Priority Data**

May 11, 2012 (EM) ..... 002040451-0001

(51) **LOC (10) Cl.** ..... **06-04**

(52) **U.S. Cl.**  
USPC ..... **D6/667**

(58) **Field of Classification Search**  
USPC ..... D6/663, 664, 667.1, 668, 668.1;  
312/117, 138.1, 204, 213, 249.1,  
312/257.1, 290; D3/272, 273, 294

See application file for complete search history.

(56) **References Cited**

U.S. PATENT DOCUMENTS

D361,220 S \* 8/1995 Cacciola ..... D6/667  
D389,646 S \* 1/1998 Sankey et al. .... D3/667  
D510,802 S \* 10/2005 Sagol ..... D3/273  
D511,632 S \* 11/2005 Lown ..... D6/667  
D658,907 S \* 5/2012 Peel ..... D6/667

OTHER PUBLICATIONS

Co-pending application Cobb et al., U.S. Appl. No. 29/436,571, filed Nov. 6, 2012.

\* cited by examiner

*Primary Examiner* — Mimoso De

(74) *Attorney, Agent, or Firm* — Gerard J. McGowan, Jr.

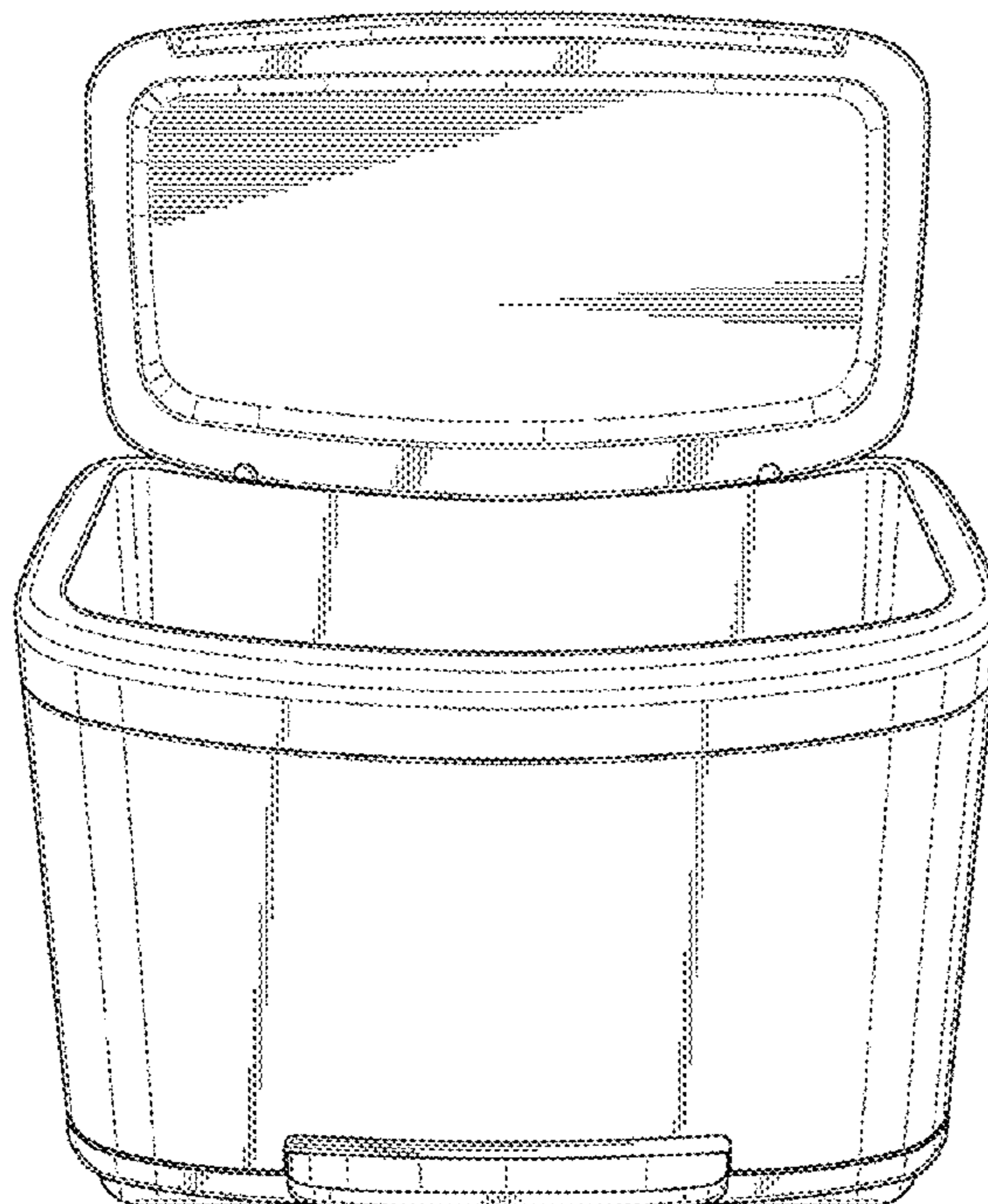
(57) **CLAIM**

The ornamental design for a display cabinet, as shown and described.

**DESCRIPTION**

FIG. 1 is a perspective view in accordance with our new design,  
FIG. 2 is a front view thereof,  
FIG. 3 is a rear view thereof,  
FIG. 4 is a left side view thereof,  
FIG. 5 is a right side view thereof,  
FIG. 6 is a top view thereof; and,  
FIG. 7 is an underneath plan view thereof.

**1 Claim, 6 Drawing Sheets**



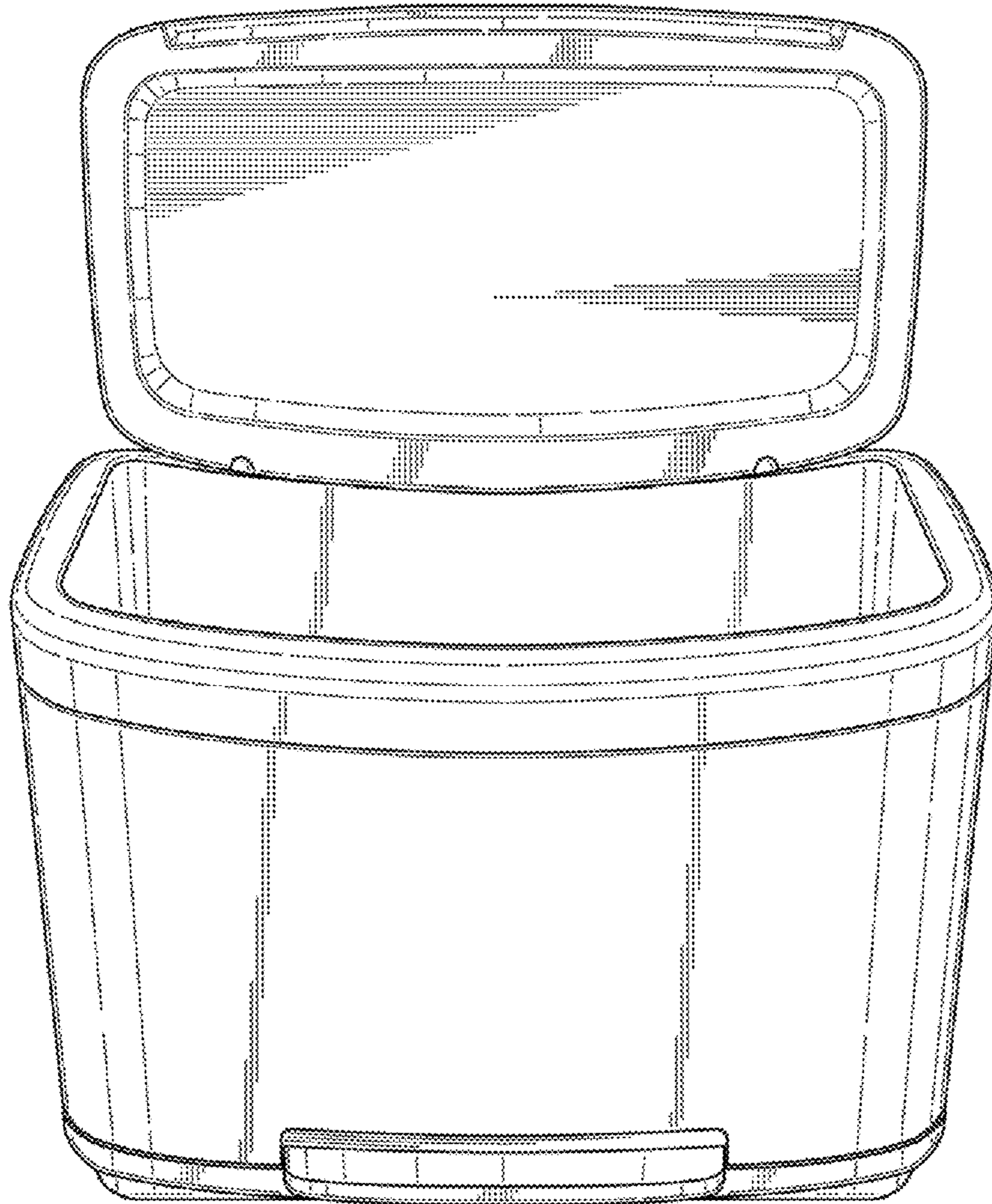


Fig. 1

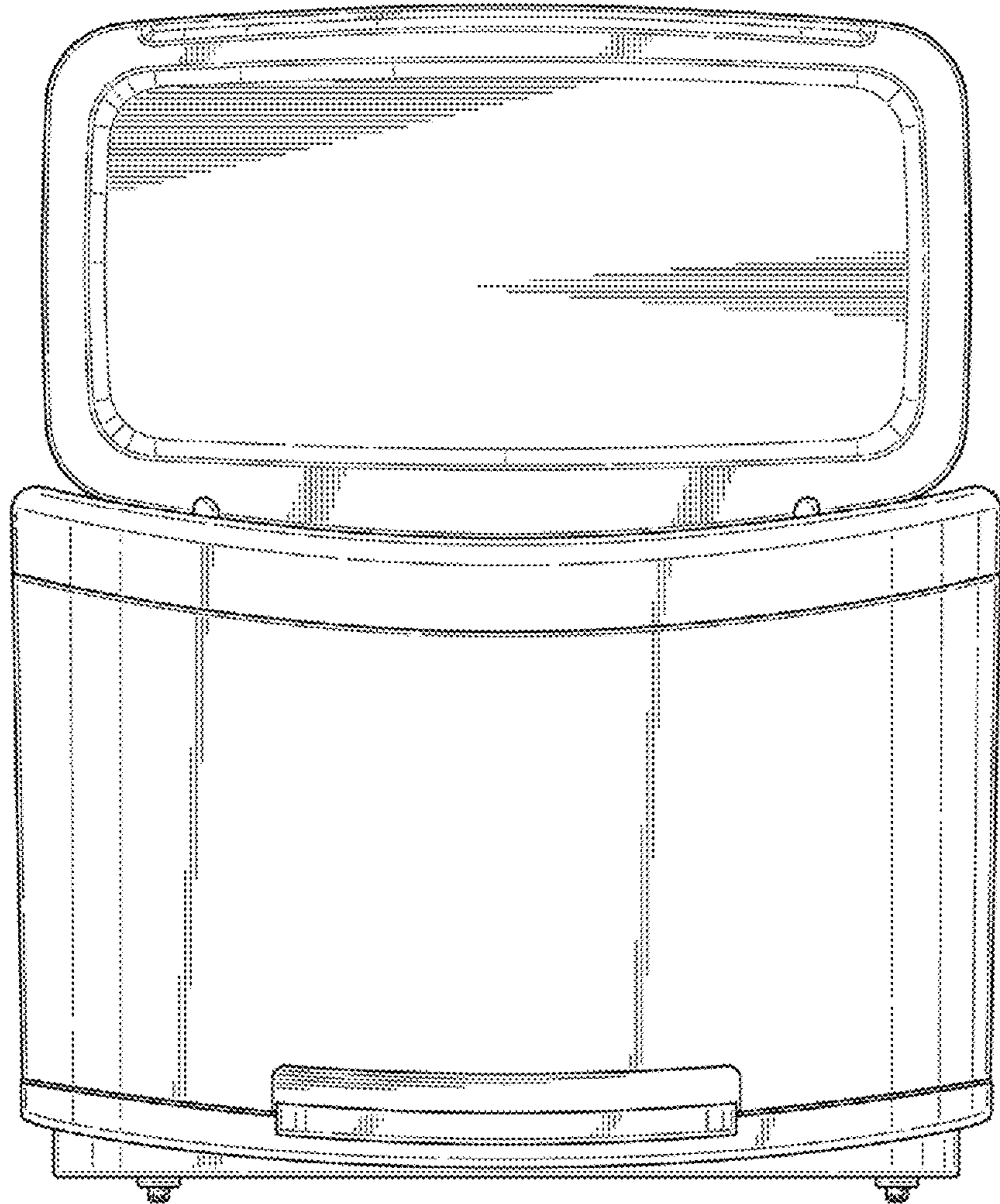


Fig. 2

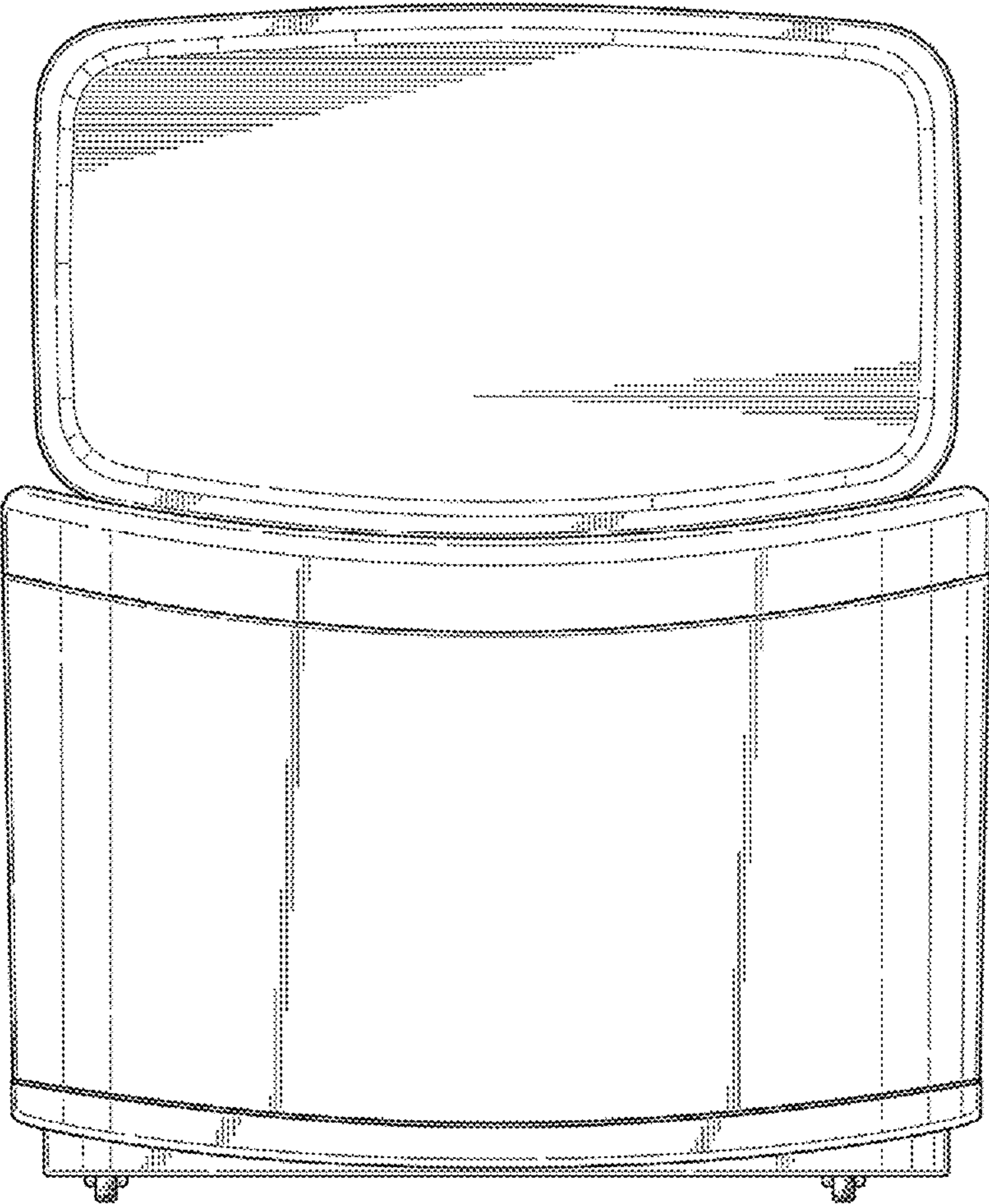


Fig. 3

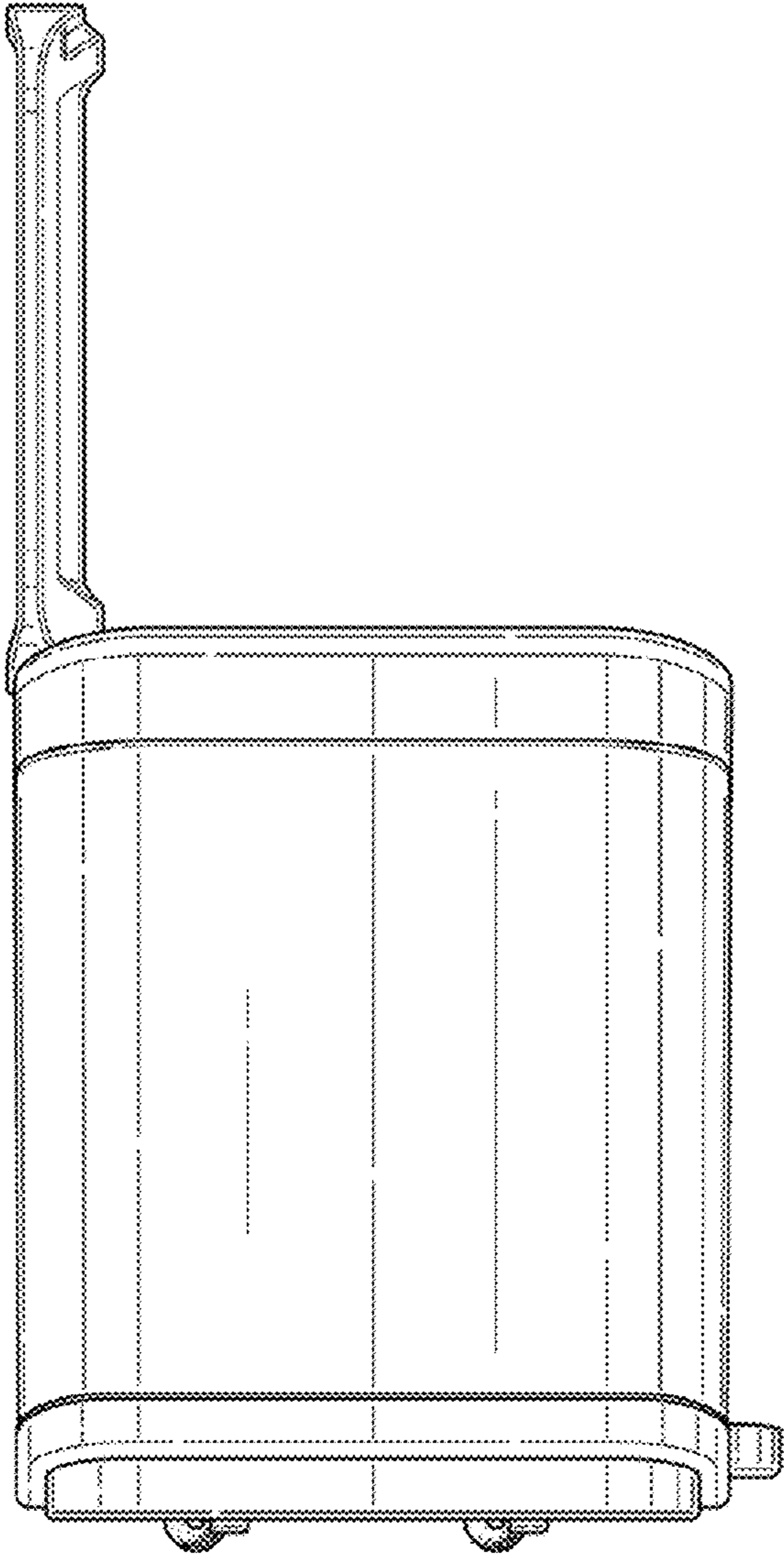


Fig. 4

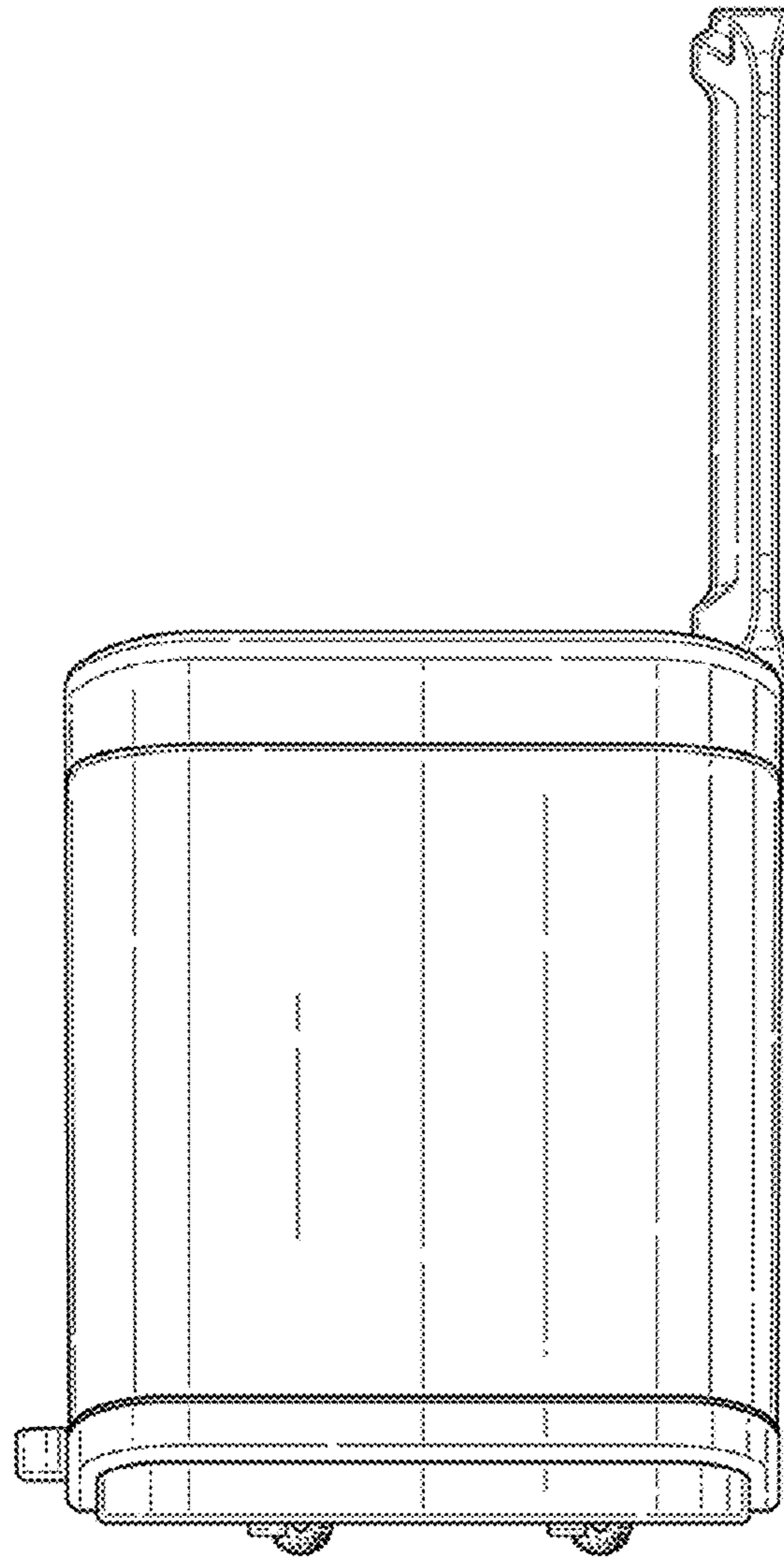


Fig. 5

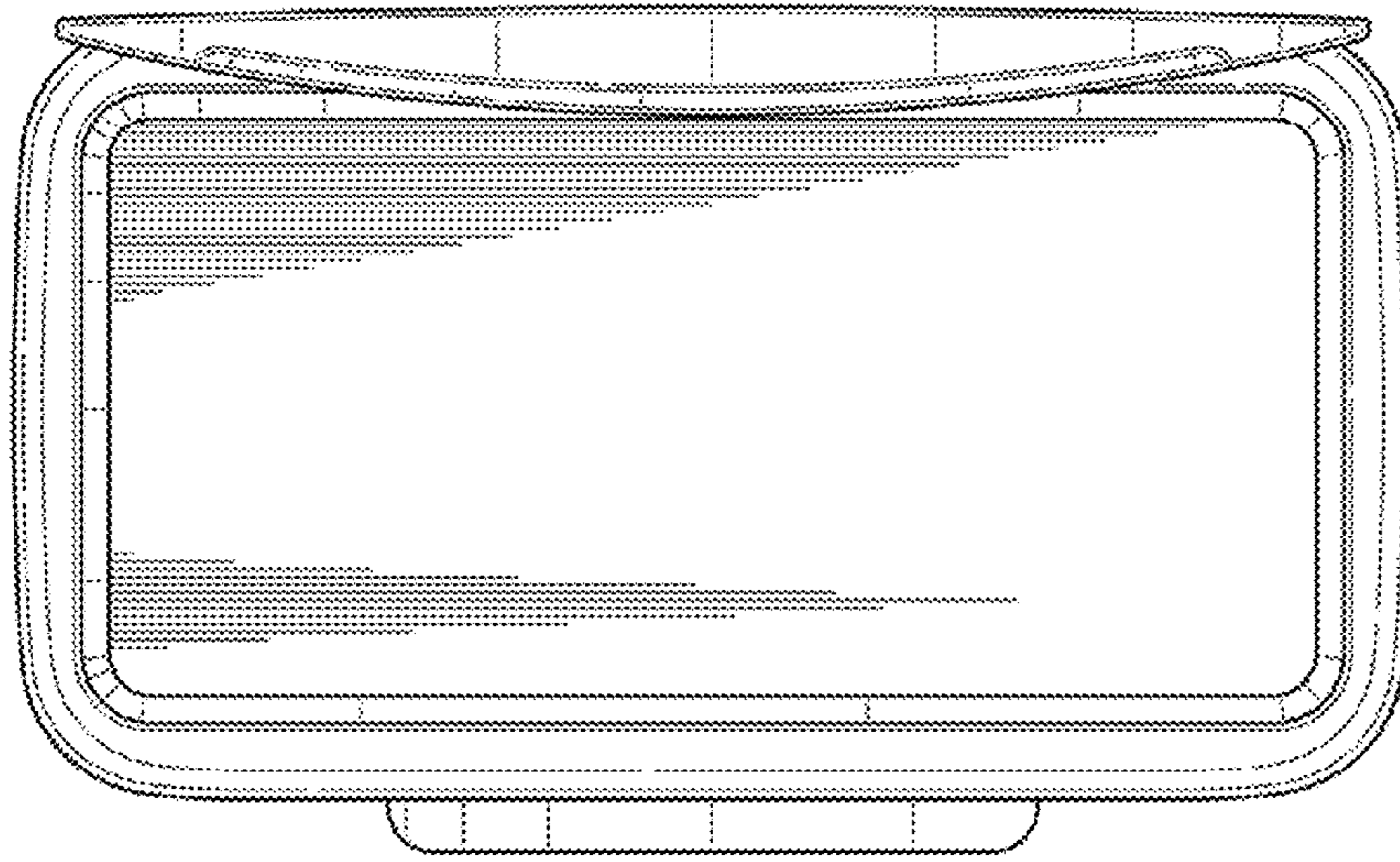


Fig. 6

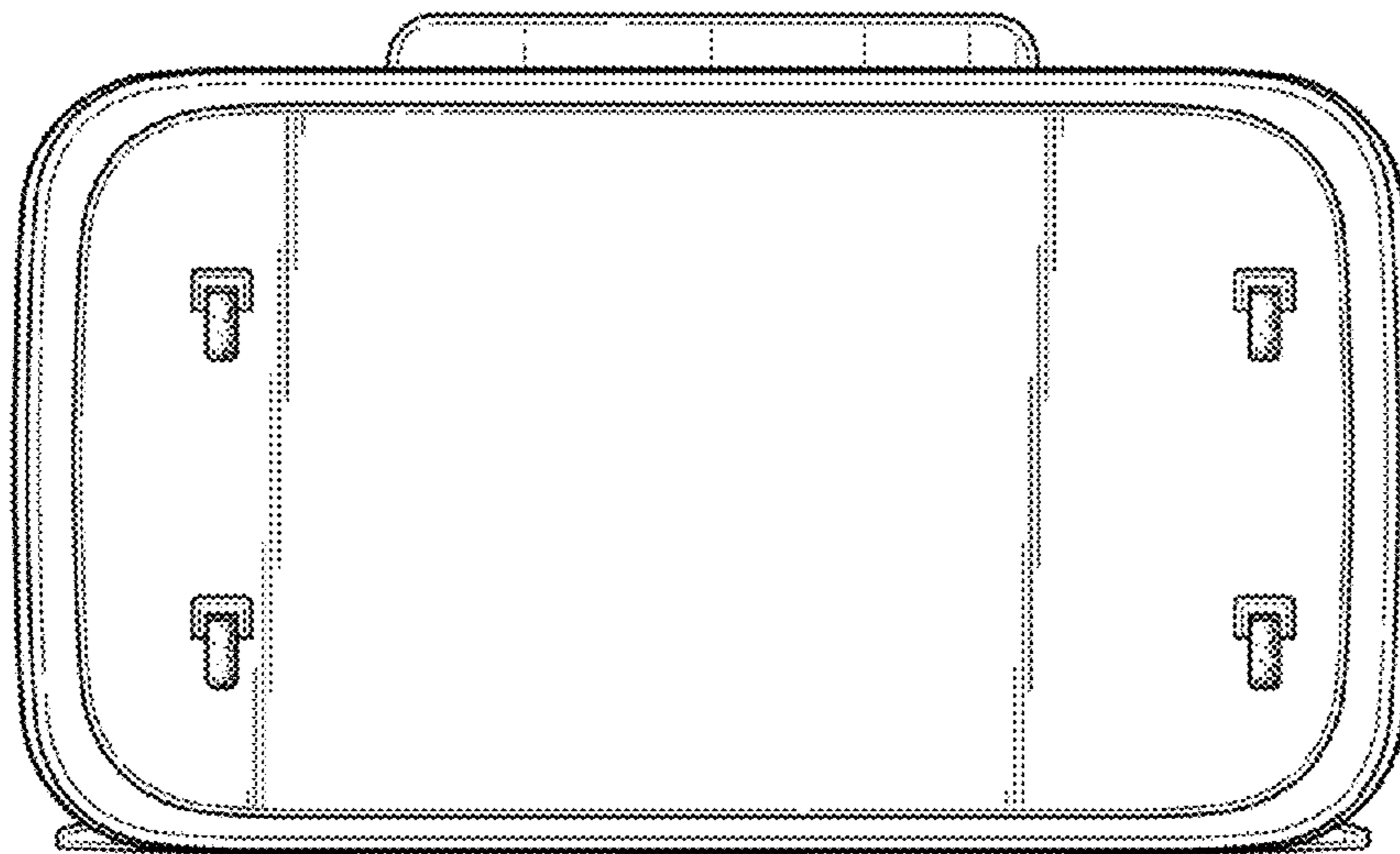


Fig. 7