

US00D697335S

(12) **United States Design Patent**
Dekker et al.

(10) **Patent No.:** **US D697,335 S**
(45) **Date of Patent:** **** Jan. 14, 2014**

(54) **RAIL FOR A COVERING FOR AN ARCHITECTURAL OPENING**
(75) Inventors: **Nicolaas Dekker**, Rhoon (NL); **Paul Joost Bram Wensink**, Eindhoven (NL); **Herve Lepetit**, Chaumont (FR)
(73) Assignee: **Hunter Douglas Industries BV**, Rotterdam (NL)
(**) Term: **14 Years**
(21) Appl. No.: **29/431,532**
(22) Filed: **Sep. 7, 2012**

2,620,869 A 12/1952 Friedman
2,719,586 A 10/1955 Graham
2,751,000 A 6/1956 Mahan
2,757,726 A 8/1956 Rice
2,792,880 A 5/1957 Mayer
2,928,461 A 3/1960 Barrett
2,979,127 A 4/1961 Brown
3,111,164 A 11/1963 Lombard
3,605,852 A 9/1971 Vecchiarelli
4,651,794 A 3/1987 Bytheway, Jr.
D292,874 S * 11/1987 Clauss D8/377
5,238,043 A 8/1993 Woodring
5,285,838 A 2/1994 Rapp et al.
D355,587 S * 2/1995 Pozzi D8/377
D372,826 S 8/1996 Sticker
5,626,177 A * 5/1997 Colson et al. 160/168.1 V

(Continued)

(30) **Foreign Application Priority Data**
Mar. 8, 2012 (EM) 001317630-0002
(51) **LOC (10) Cl.** **06-10**
(52) **U.S. Cl.**
USPC **D6/580**
(58) **Field of Classification Search**
USPC D6/575-581; D5/64, 66; D8/323, 349, D8/353, 368, 369, 376, 377, 382; 160/84.01-84.08, 111, 115, 130, 160/168.1 R, 199, 331, 332
See application file for complete search history.

FOREIGN PATENT DOCUMENTS

EP 0322355 A1 6/1989
Primary Examiner — Karen S Acker
(74) *Attorney, Agent, or Firm* — Dorsey & Whitney LLP

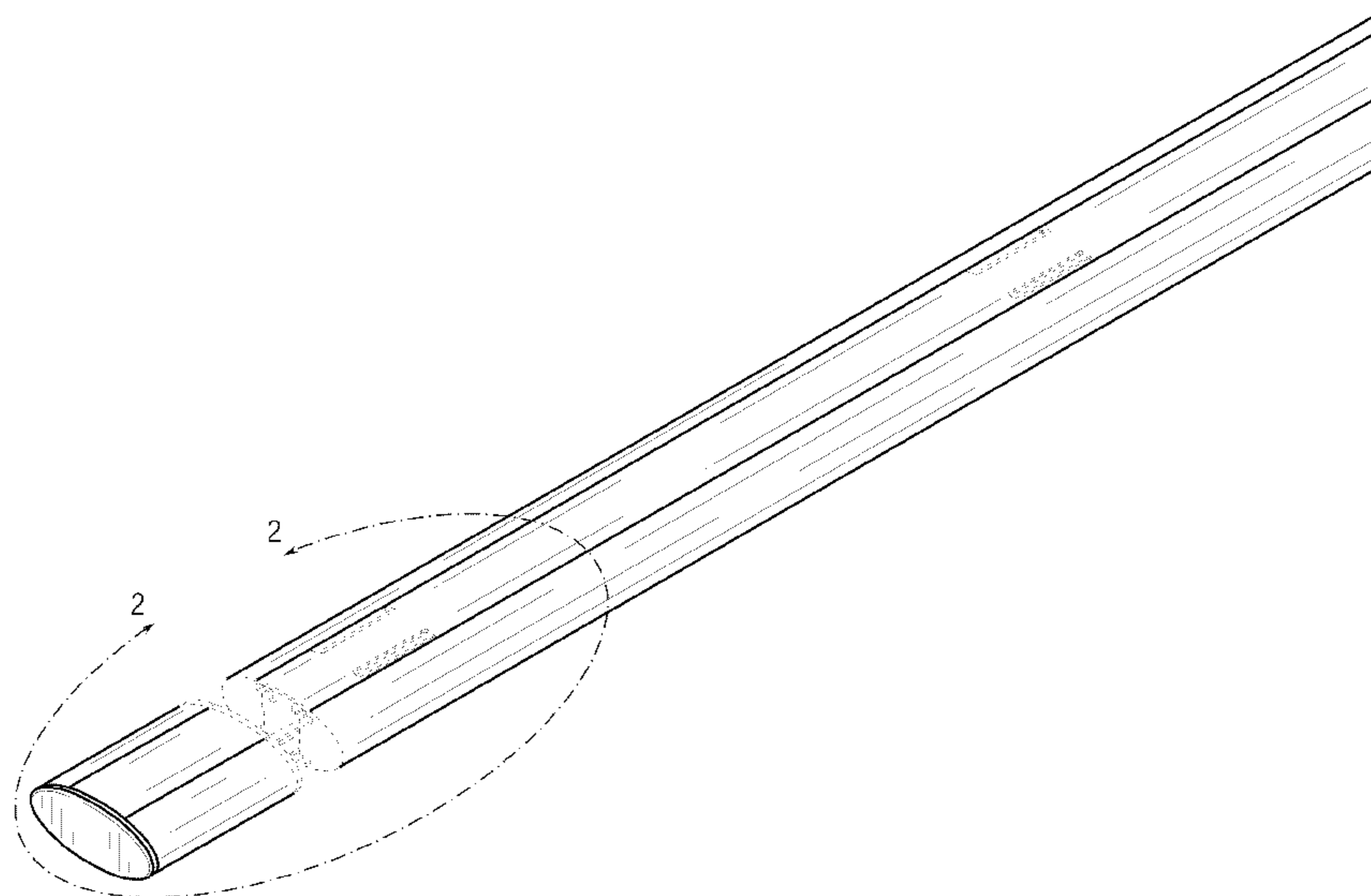
(57) **CLAIM**
We claim the ornamental design for a rail for a covering for an architectural opening, as shown and described.

DESCRIPTION

FIG. 1 is a top-left isometric view of a rail for a covering for an architectural opening.
FIG. 2 is a detail, top-left isometric view of the rail of FIG. 1 bounded by the detail line 2-2 as shown in FIG. 1.
FIG. 3 is a front elevation view of the rail of FIG. 1 as shown in FIG. 2.
FIG. 4 is a bottom plan view of the rail of FIG. 1 as shown in FIG. 2; and,
FIG. 5 is a left side elevation view of the rail of FIG. 1.
The broken lines, which define the bounds of the claimed design, form no part of the claimed design.

1 Claim, 4 Drawing Sheets

(56) **References Cited**
U.S. PATENT DOCUMENTS
D98,260 S 1/1936 Kuyper
2,068,977 A 1/1937 Dodge
2,105,082 A 1/1938 Johnson
2,137,444 A 11/1938 Clancy
2,202,752 A 5/1940 Brenner
2,274,837 A 3/1942 Lawson
2,570,199 A 10/1951 Brown
2,579,485 A 12/1951 Ferguson et al.
2,587,756 A 3/1952 Palmisano



(56)

References Cited

U.S. PATENT DOCUMENTS

6,076,588	A *	6/2000	Swiszczy et al.	160/168.1 V	D495,549	S	9/2004	Yu et al.
D428,292	S *	7/2000	Anderson	D6/581	D509,692	S	9/2005	Dekker et al.
D448,594	S *	10/2001	Throne	D6/575	D518,988	S	4/2006	Strand et al.
D452,403	S *	12/2001	Sudano	D6/580	D530,131	S	10/2006	Chatham et al.
6,491,085	B1 *	12/2002	Anthony et al.	160/168.1 V	7,114,544	B2 *	10/2006	Rice et al.
6,622,770	B1 *	9/2003	Tyner	160/178.1 R	7,168,475	B2	1/2007	Colson et al.
D489,210	S *	5/2004	Goldberg	D6/580	D610,708	S *	2/2010	Kramer
					D620,738	S *	8/2010	Baron
					2004/0016514	A1	1/2004	Nien
					2007/0000621	A1	1/2007	Drew et al.

* cited by examiner

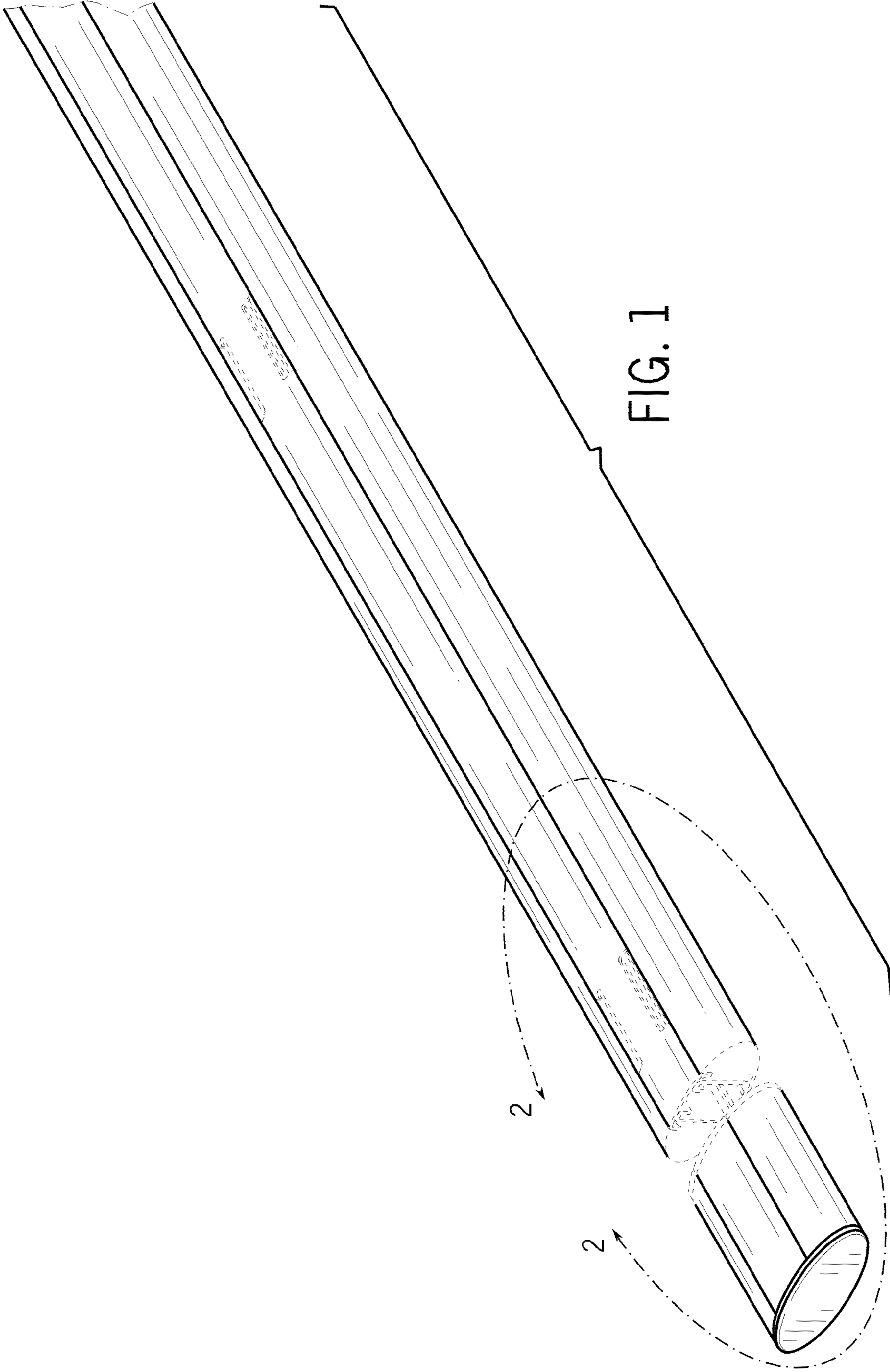


FIG. 1

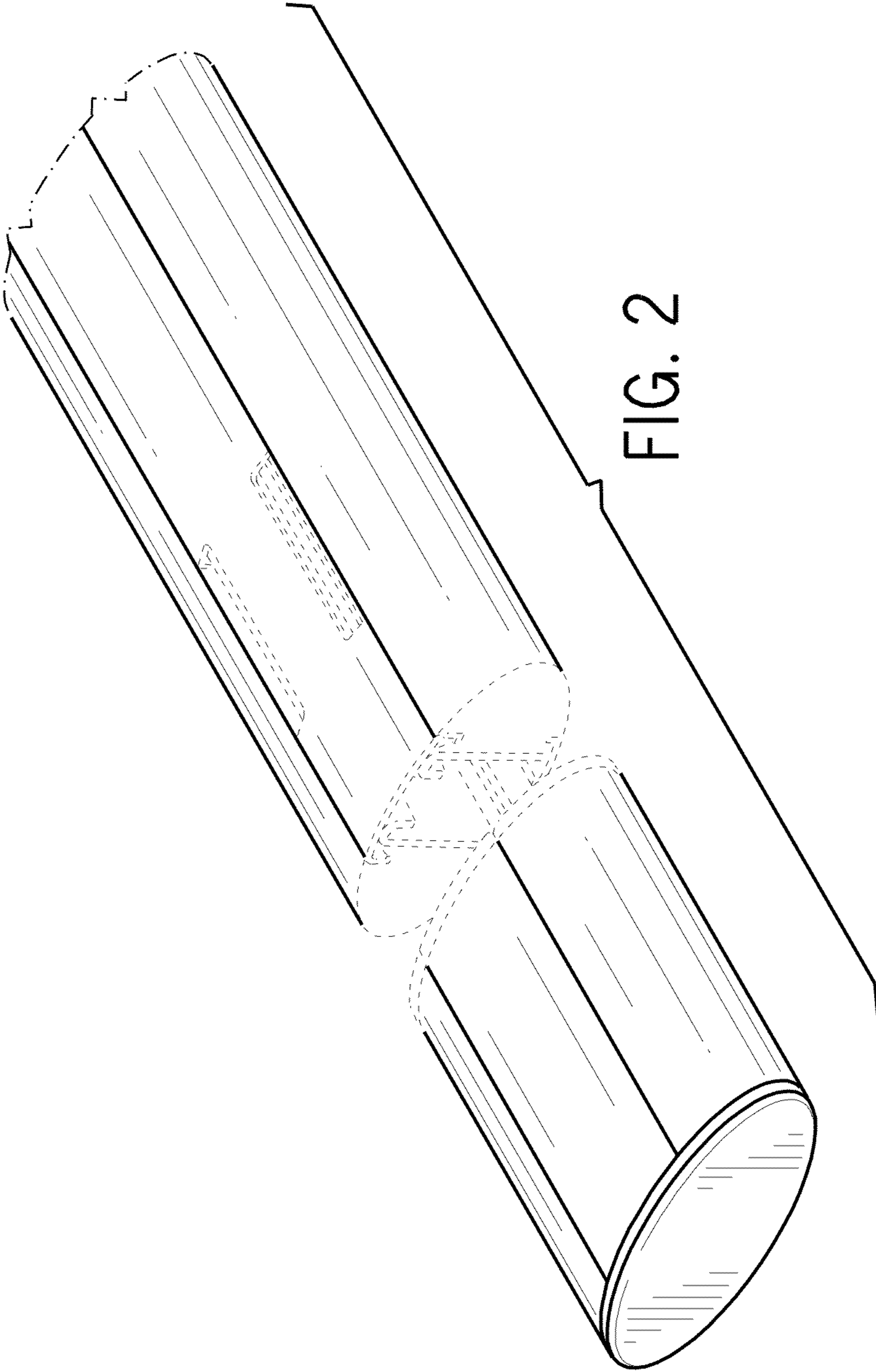


FIG. 2

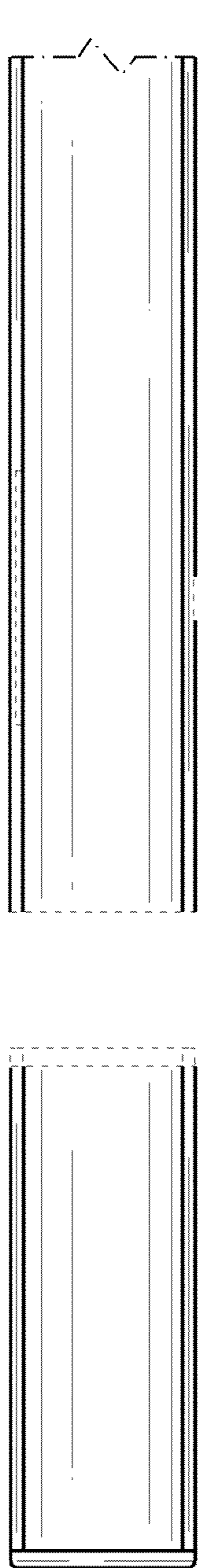


FIG. 3

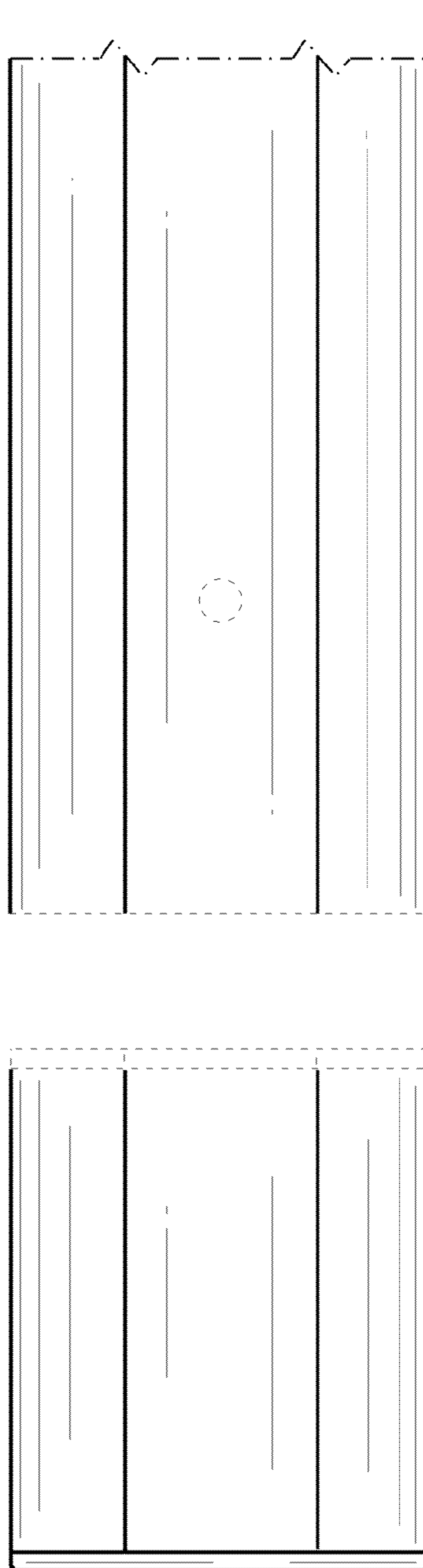


FIG. 4

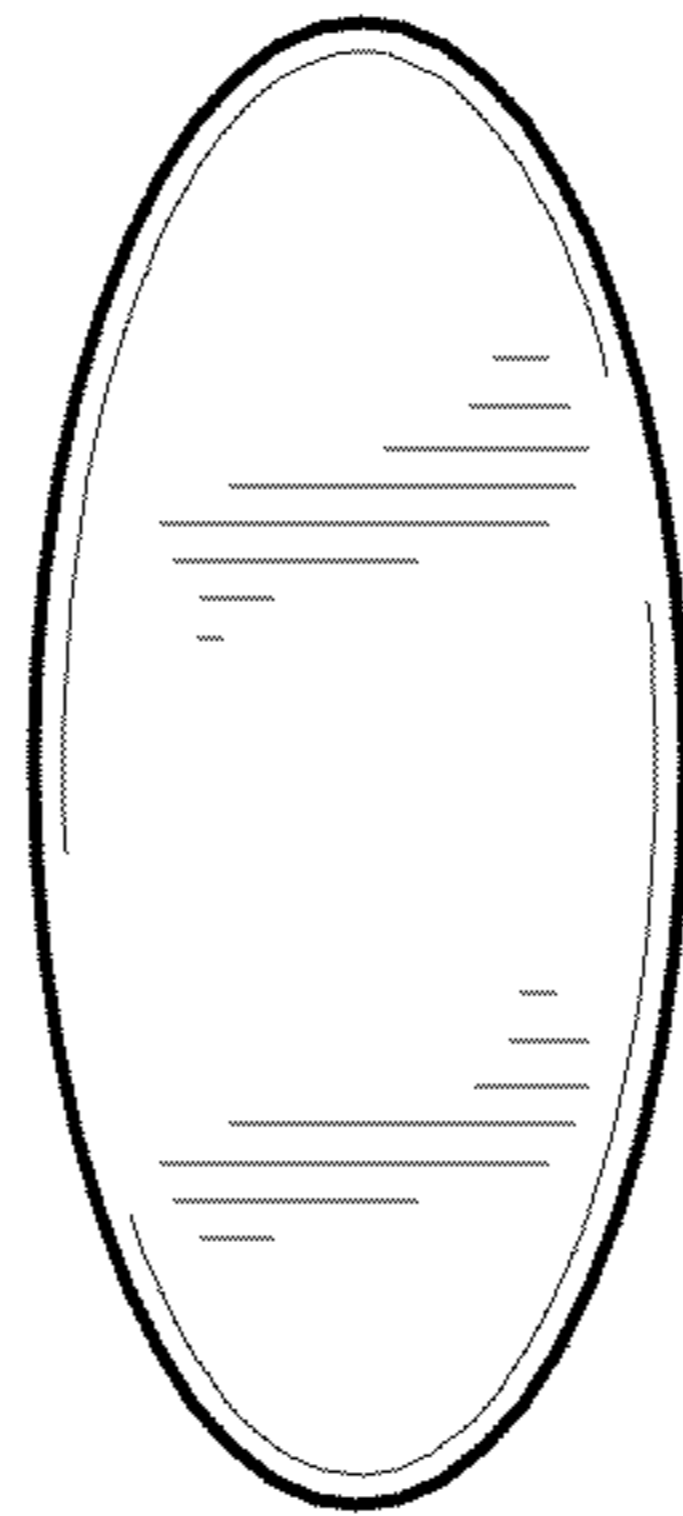


FIG. 5