

US00D697330S

(12) **United States Design Patent**
Chen

(10) **Patent No.:** **US D697,330 S**

(45) **Date of Patent:** **** Jan. 14, 2014**

(54) **SEAT**

(71) Applicant: **Yucheng Chen**, Gangzhou (CN)

(72) Inventor: **Yucheng Chen**, Gangzhou (CN)

(**) Term: **14 Years**

(21) Appl. No.: **29/454,440**

(22) Filed: **May 10, 2013**

(51) **LOC (10) Cl.** **06-01**

(52) **U.S. Cl.**
USPC **D6/366**

(58) **Field of Classification Search**
USPC D6/334–336, 344–353, 360–381, 388,
D6/403, 491–502, 692, 708, 716,
D6/716.2–716.4; 297/16.1, 22, 31, 35,
297/217.1, 228.12, 239, 256.16, 271.6,
297/284.4–284.5, 291, 297, 302.4, 411.2,
297/411.27–411.29, 411.43, 423.1, 423.12,
297/440.11, 440.15, 440.24, 448.1, 451.4,
297/452.13, 452.18, 452.19, 452.21,
297/452.27, 452.29, 452.3, 452.41, 452.56,
297/452.64

See application file for complete search history.

(56) **References Cited**

U.S. PATENT DOCUMENTS

D436,260 S * 1/2001 Nagamitsu D6/366
D499,564 S * 12/2004 Meda D6/366
D507,124 S * 7/2005 Yang D6/366
D512,232 S * 12/2005 Wu D6/366
D523,252 S * 6/2006 Rodriguez Leitao D6/366

D543,717 S * 6/2007 Chen D6/366
D548,994 S * 8/2007 Mao et al. D6/366
D549,473 S * 8/2007 Wagner D6/366
D550,976 S * 9/2007 Bellini et al. D6/366
D554,877 S * 11/2007 Tsai D6/366
D557,024 S * 12/2007 Chen D6/366
D559,572 S * 1/2008 Igarashi D6/366
D568,623 S * 5/2008 Dauphin D6/366
D572,493 S * 7/2008 Zhang D6/366
D573,361 S * 7/2008 Kung D6/366
D576,813 S * 9/2008 Baldanzi et al. D6/366
D576,814 S * 9/2008 Baldanzi et al. D6/366
D610,822 S * 3/2010 Chen D6/366
D634,558 S * 3/2011 Deisig D6/366
D638,635 S * 5/2011 Sander et al. D6/366
D650,617 S * 12/2011 Chen D6/500
D655,524 S * 3/2012 Kim D6/366
D665,590 S * 8/2012 Wagner D6/366
D665,591 S * 8/2012 Tanaka et al. D6/366
D683,151 S * 5/2013 Smith et al. D6/366
2008/0122284 A1 * 5/2008 Yang 297/452.56

* cited by examiner

Primary Examiner — Ricky Pham

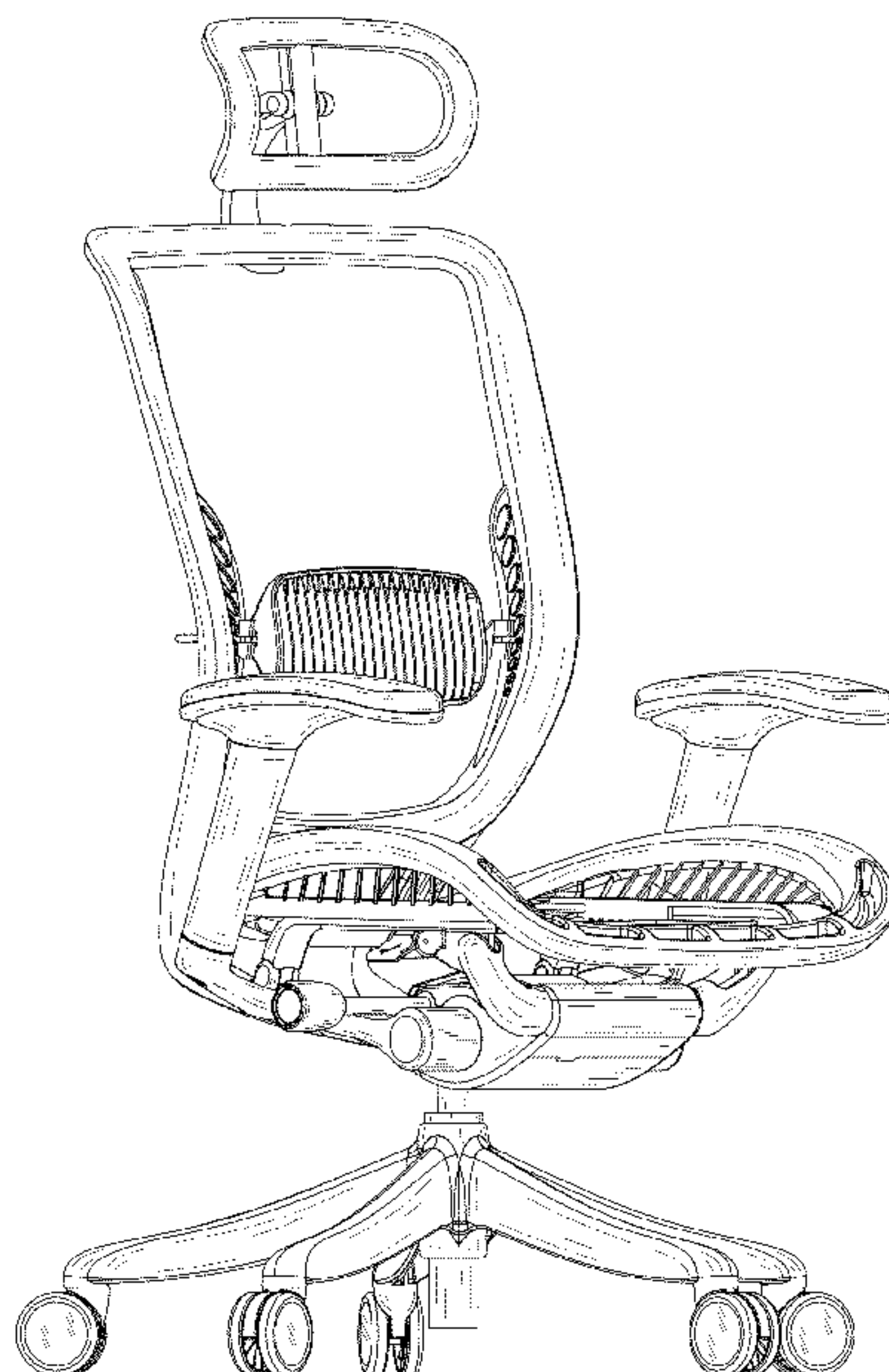
(57) **CLAIM**

The ornamental design for a seat, as shown and described.

DESCRIPTION

FIG. 1 is a front view of the seat;
FIG. 2 is a rear view of the seat;
FIG. 3 is a left view of the seat;
FIG. 4 is a right view of the seat;
FIG. 5 is a top view of the seat;
FIG. 6 is a bottom view of the seat; and,
FIG. 7 is a perspective view of the seat.

1 Claim, 7 Drawing Sheets



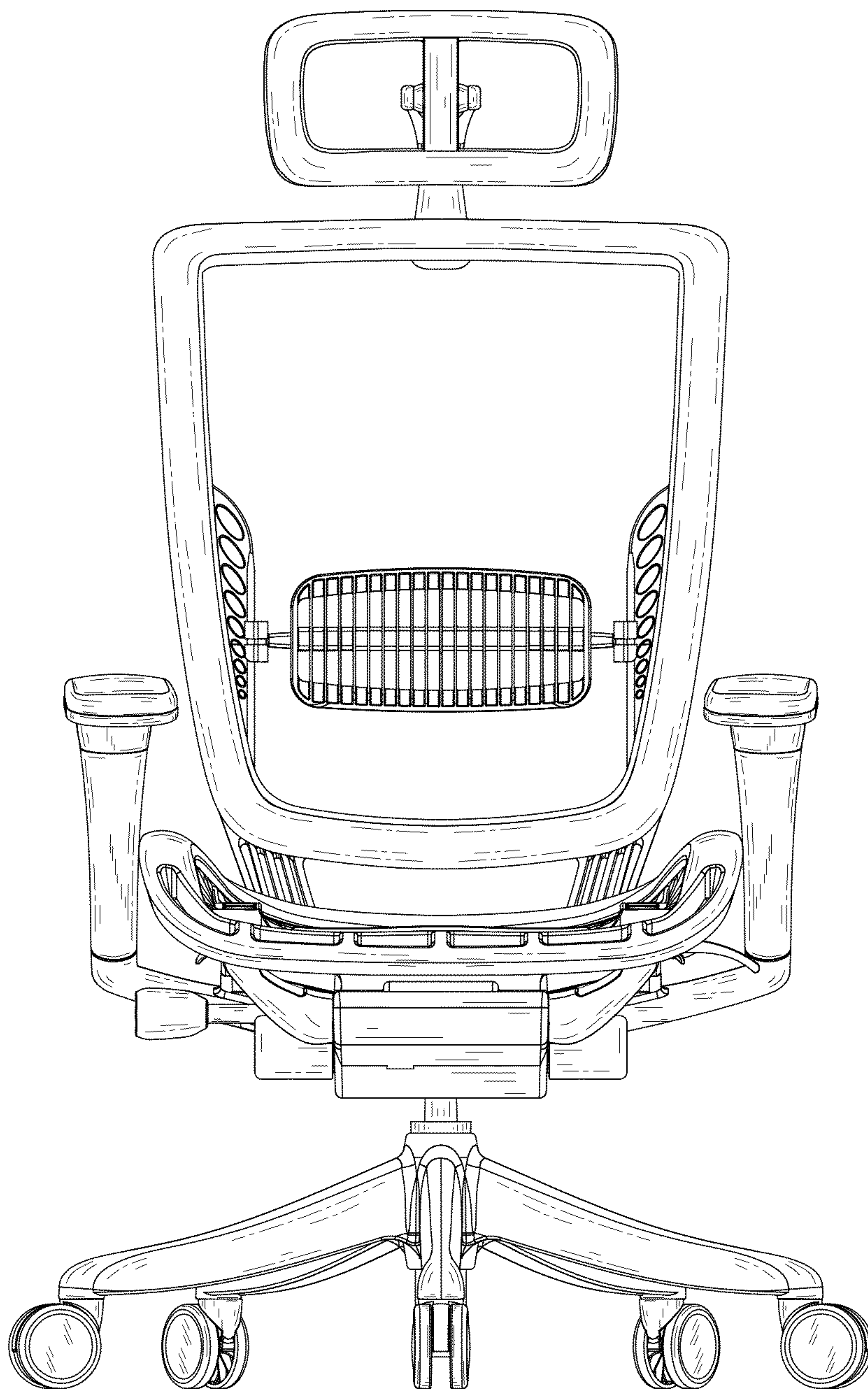


FIG. 1

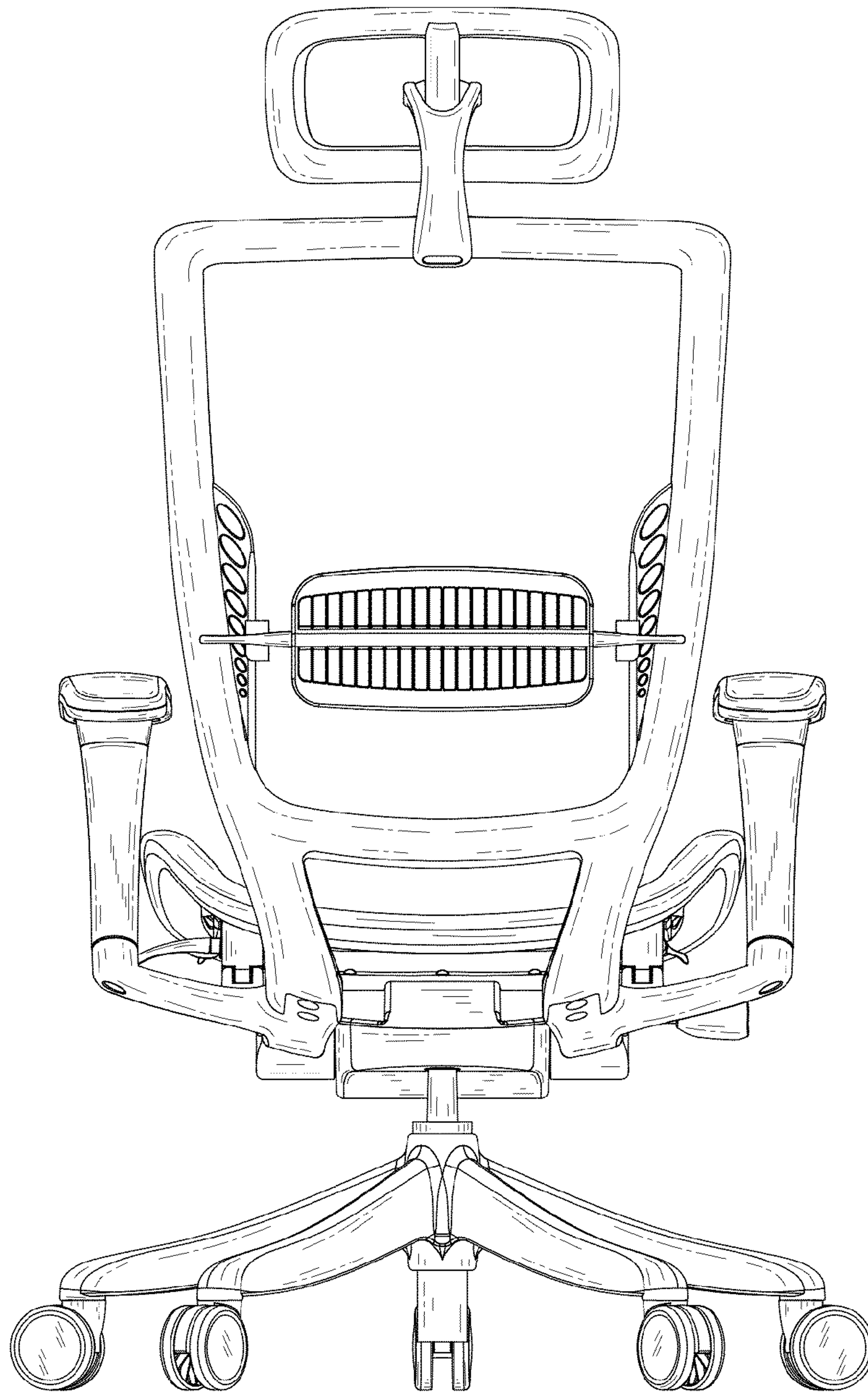


FIG.2

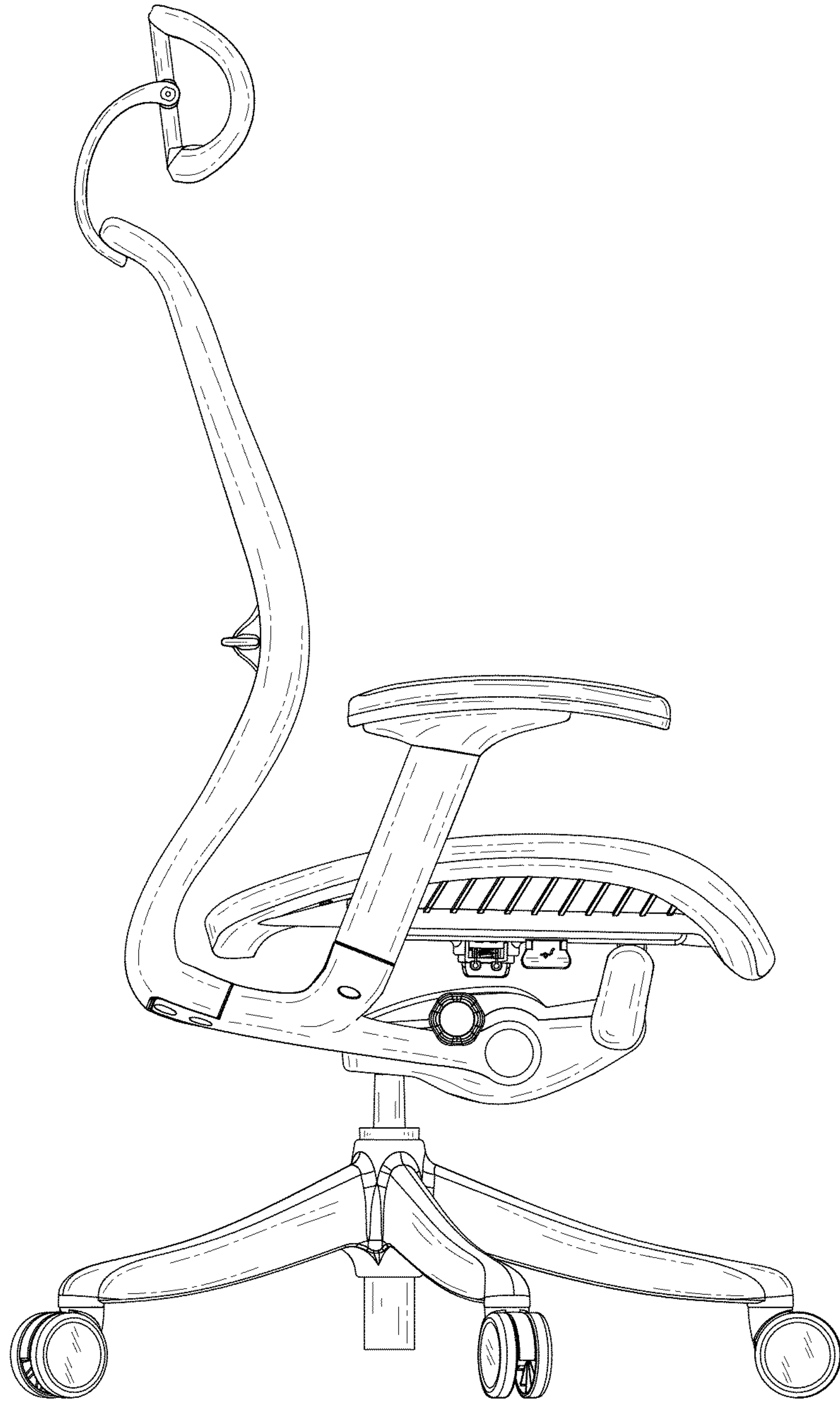


FIG.3

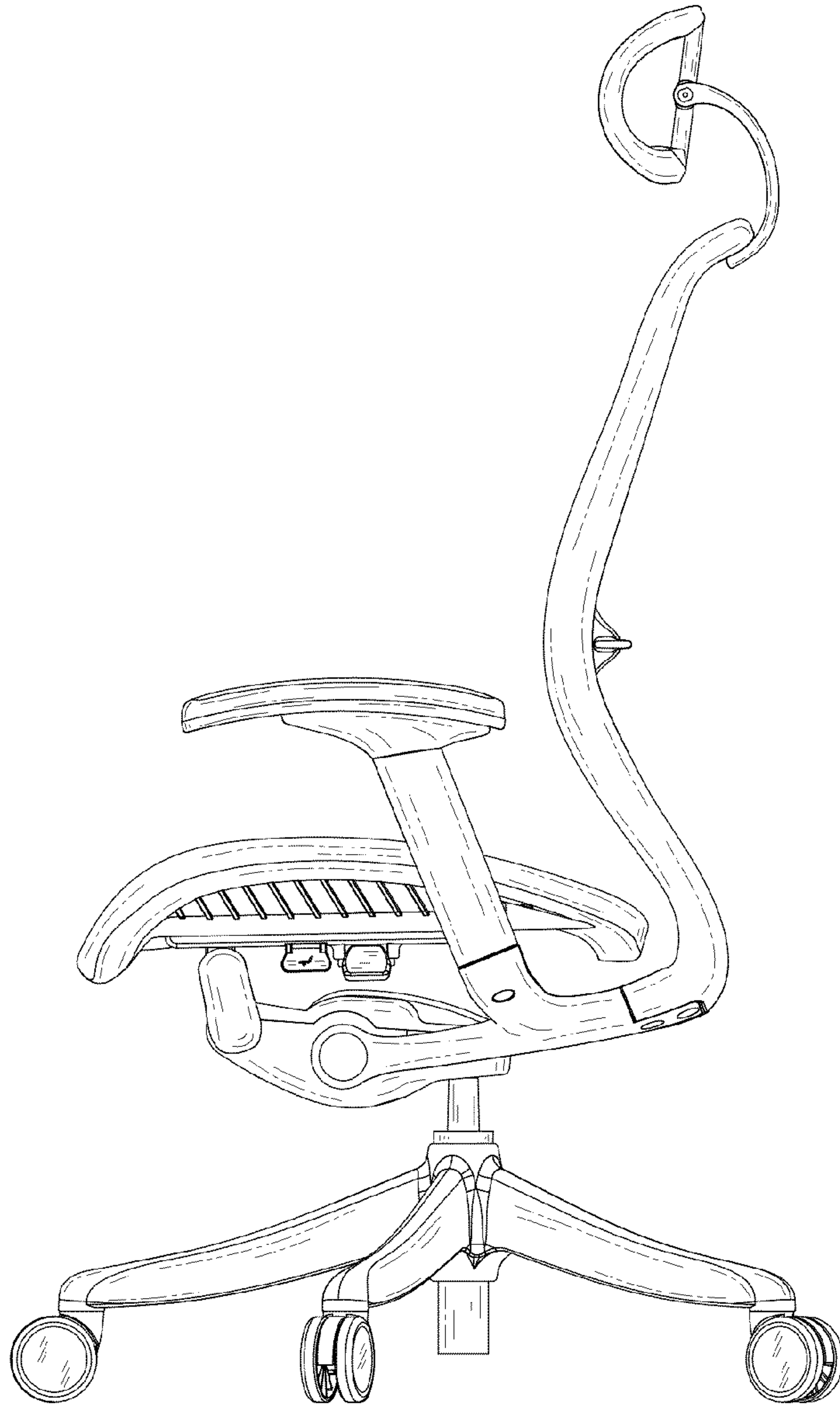


FIG. 4

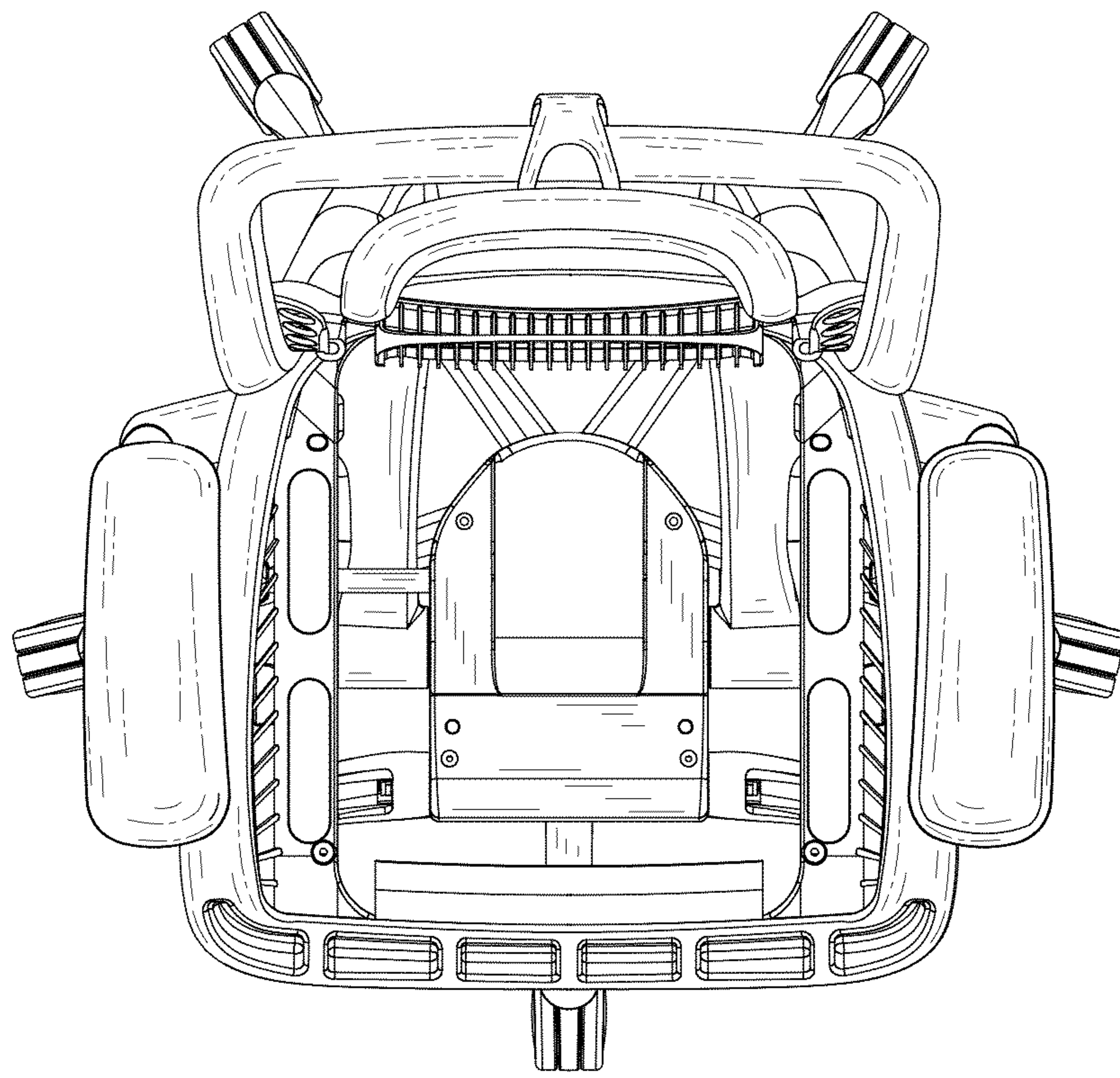


FIG.5

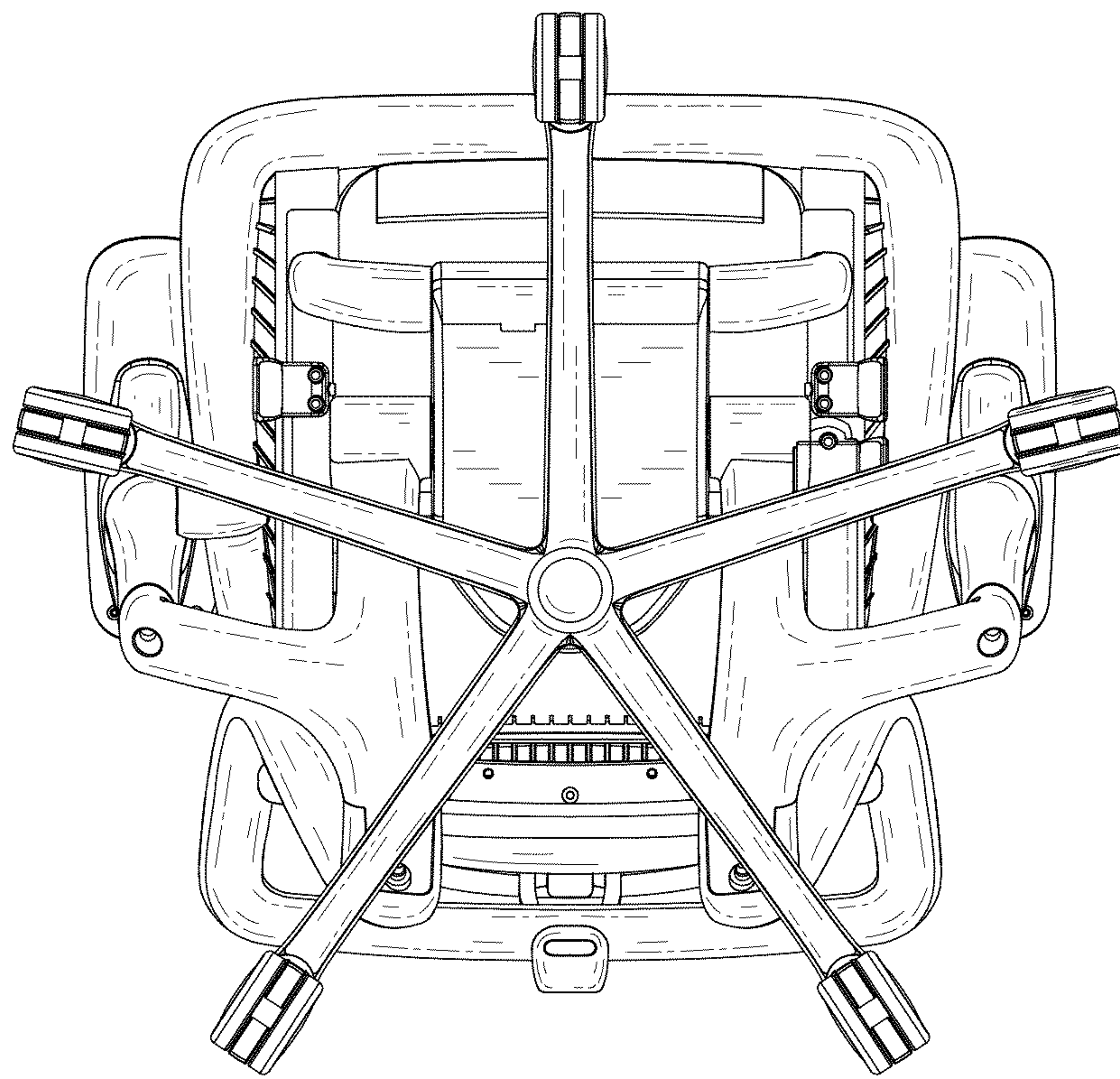


FIG.6

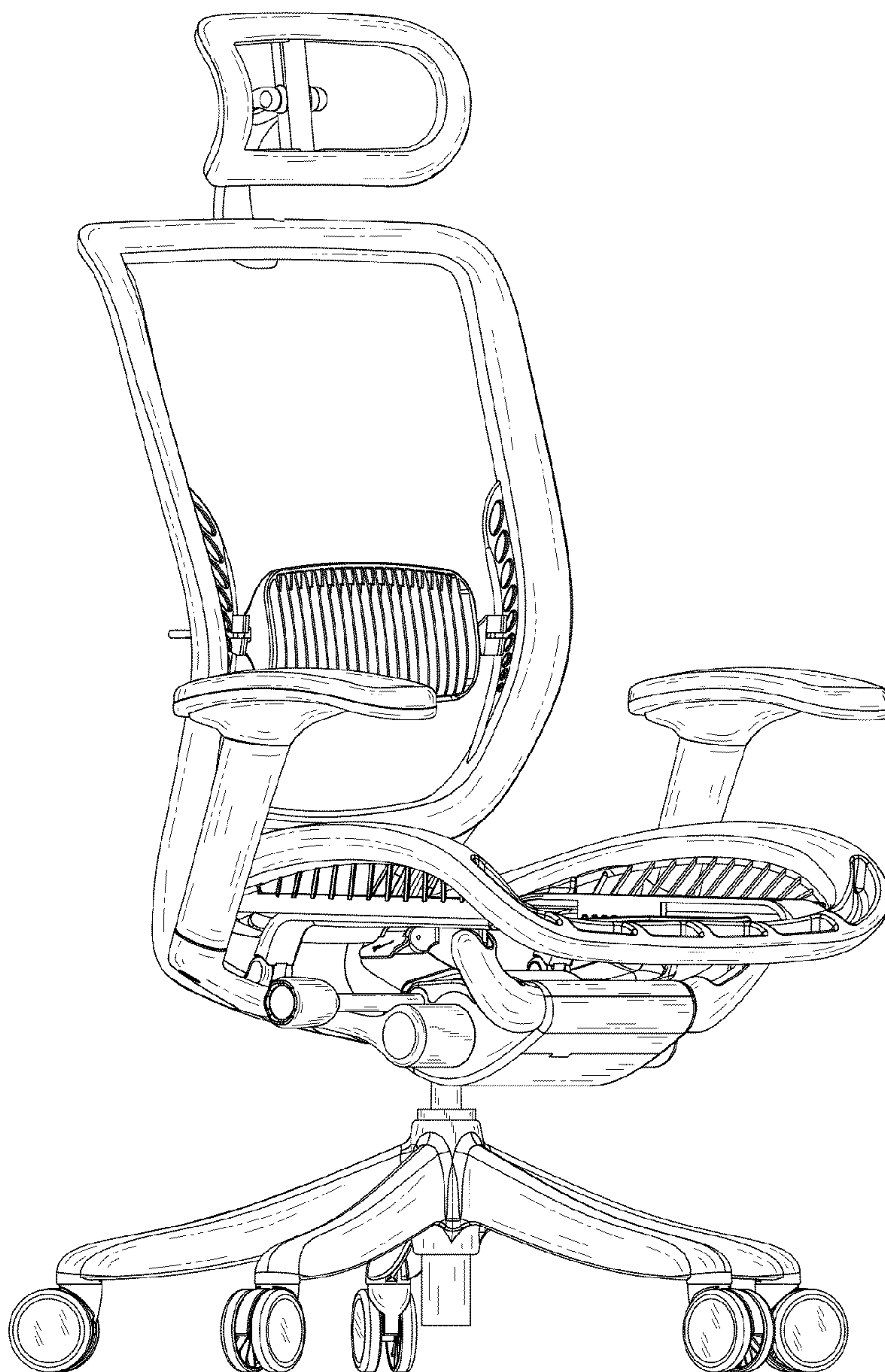


FIG. 7