



US00D697329S

(12) **United States Design Patent**
Kuo

(10) **Patent No.:** **US D697,329 S**
(45) **Date of Patent:** **** Jan. 14, 2014**

(54) **FOOTBALL HELMET BARSTOOL**

(71) Applicant: **Ken Kuo**, Columbus, OH (US)

(72) Inventor: **Ken Kuo**, Columbus, OH (US)

(**) Term: **14 Years**

(21) Appl. No.: **29/452,202**

(22) Filed: **Apr. 12, 2013**

(51) **LOC (10) Cl.** **06-01**

(52) **U.S. Cl.**
USPC **D6/358**

(58) **Field of Classification Search**
USPC D6/334-336, 351, 358, 360, 364, 374,
D6/716, 716.1, 716.2, 716.3, 716.4;
D2/878; D7/515, 613, 623; D14/232;
D19/75; D29/105, 106; 2/205, 424,
2/425; 297/181, 423.38, 461, 462

See application file for complete search history.

(56) **References Cited**

U.S. PATENT DOCUMENTS

D211,170 S	5/1968	Carsello	
D233,381 S *	10/1974	Wright	D6/351
3,843,197 A *	10/1974	Wright	297/423.38
D249,272 S *	9/1978	Sommerfeld	D19/75
D250,444 S *	12/1978	Danat et al.	D7/515
D279,430 S *	7/1985	McLeroy	D6/358
D289,610 S	5/1987	Neyer	
D314,492 S	2/1991	Weller et al.	
D344,659 S *	3/1994	Hsu	D7/613
D363,855 S	11/1995	Van Blankenburg	
D369,529 S	5/1996	Van Blankenburg et al.	
D420,670 S *	2/2000	Hernandez et al.	D14/232
D430,214 S *	8/2000	Palmer	D19/75

D460,441 S *	7/2002	Neil	D14/232
D553,374 S *	10/2007	Cordek	D6/358
D599,625 S	9/2009	Lessells	
D601,760 S	10/2009	Friess	
D608,057 S	1/2010	Zagar	
D616,159 S	5/2010	Zagar	
D616,670 S *	6/2010	Lau	D6/674
D620,268 S	7/2010	Van Halder	
D662,722 S *	7/2012	Kuo	D6/358
D680,341 S	4/2013	Kuo	
D680,342 S	4/2013	Kuo	
2011/0214225 A1 *	9/2011	Norris	2/425

* cited by examiner

Primary Examiner — Mimosa De

(74) *Attorney, Agent, or Firm* — Squire Sanders (US) LLP

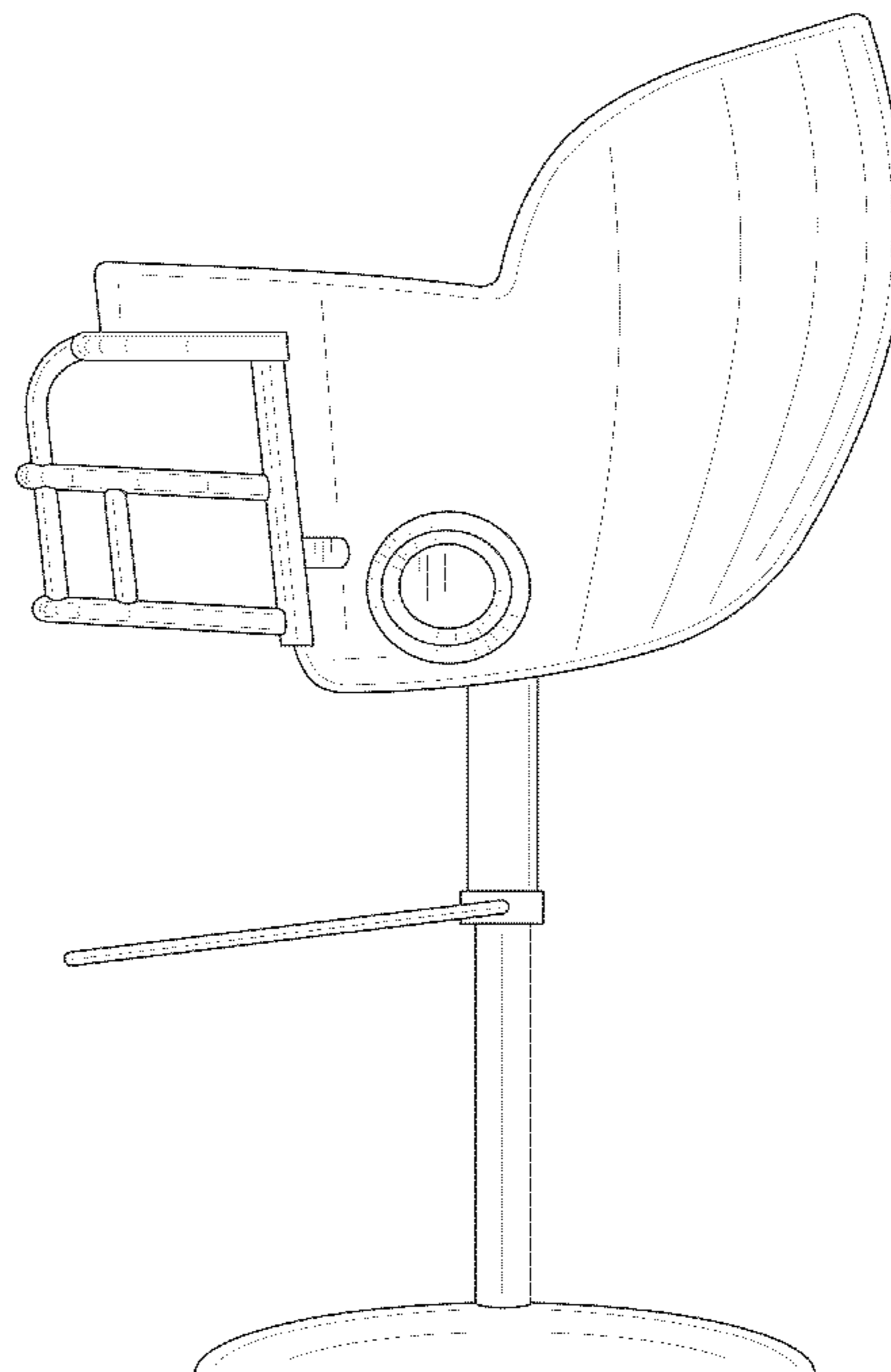
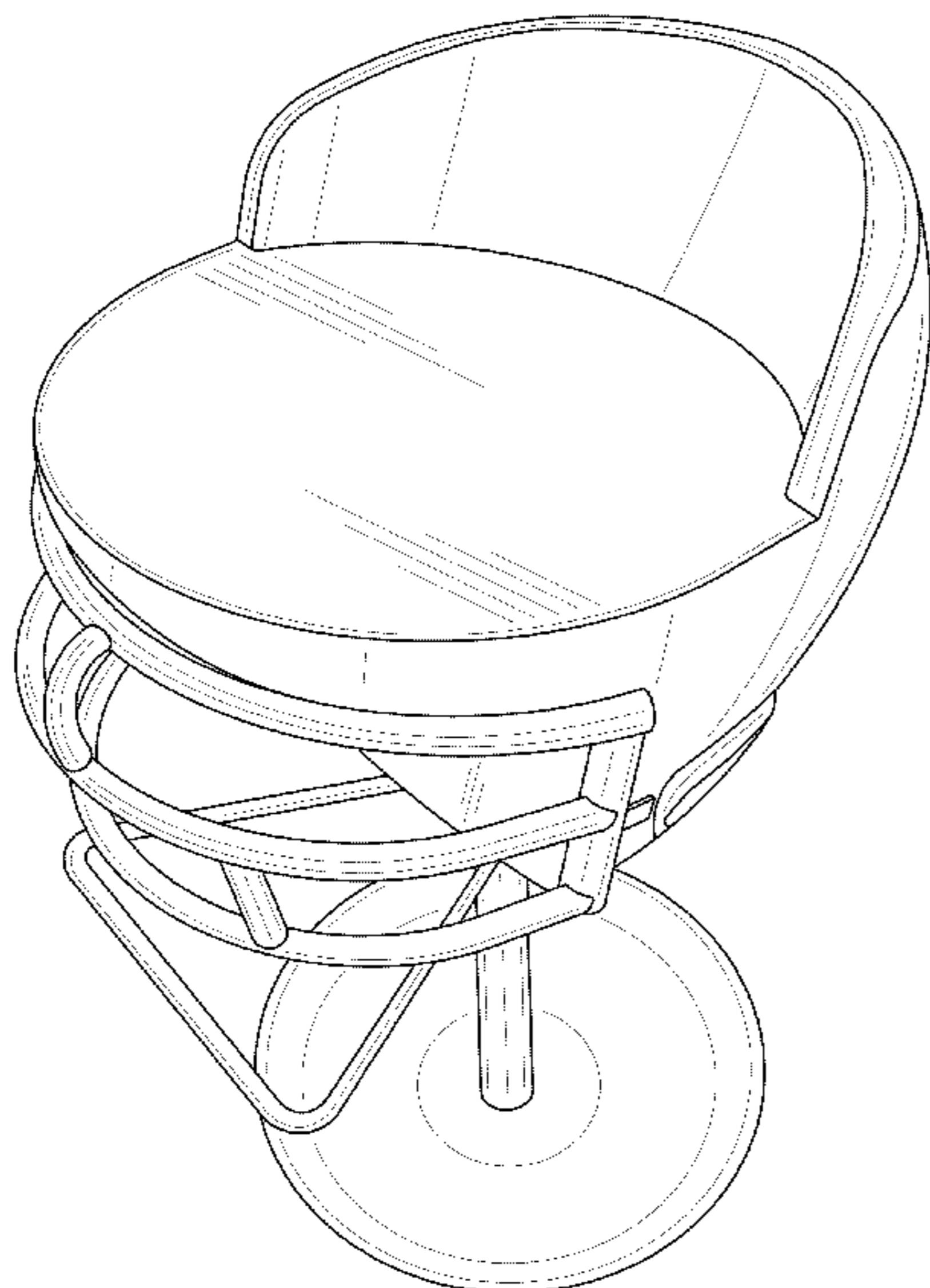
(57) **CLAIM**

The ornamental design for a football helmet barstool, as shown and described.

DESCRIPTION

FIG. 1 is a perspective view of the ornamental design of the present invention;
 FIG. 2 is a front view of the ornamental design of the present invention;
 FIG. 3 is a back view of the ornamental design of the present invention;
 FIG. 4 is a right side view of the ornamental design of the present invention;
 FIG. 5 is a left side view of the ornamental design of the present invention;
 FIG. 6 is a top view of the ornamental design of the present invention; and,
 FIG. 7 is a bottom view of the ornamental design of the present invention.

1 Claim, 7 Drawing Sheets



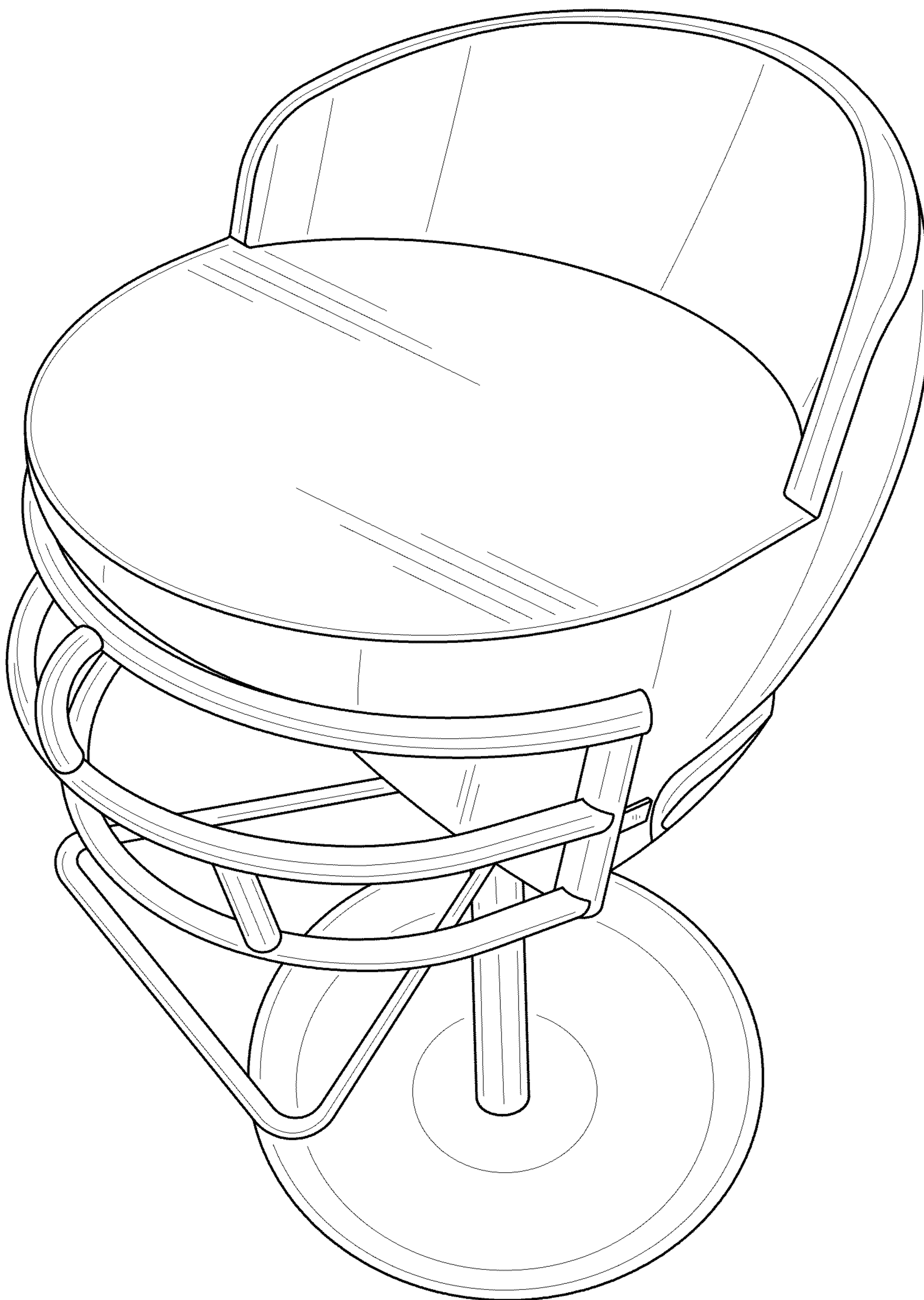


FIG. 1

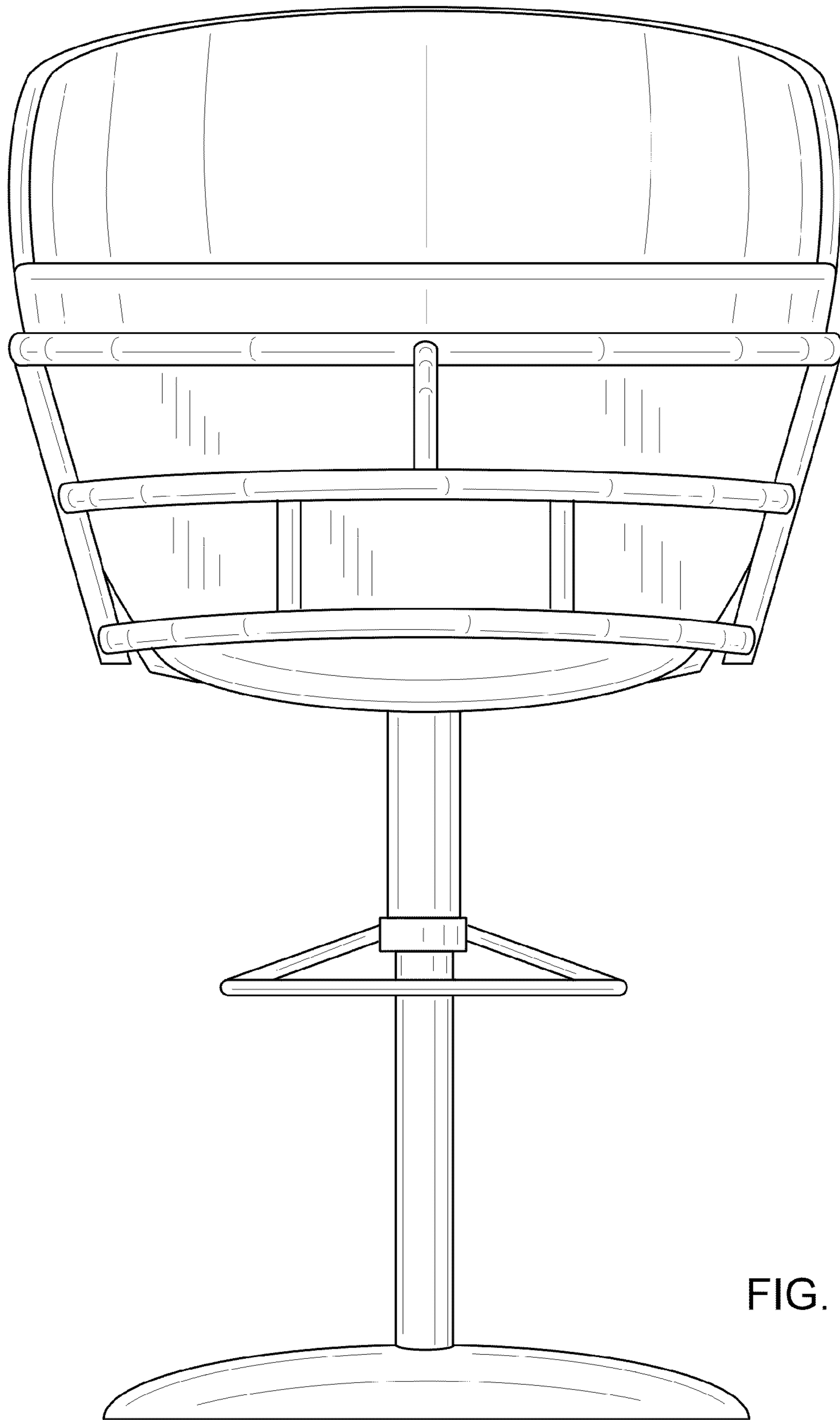


FIG. 2

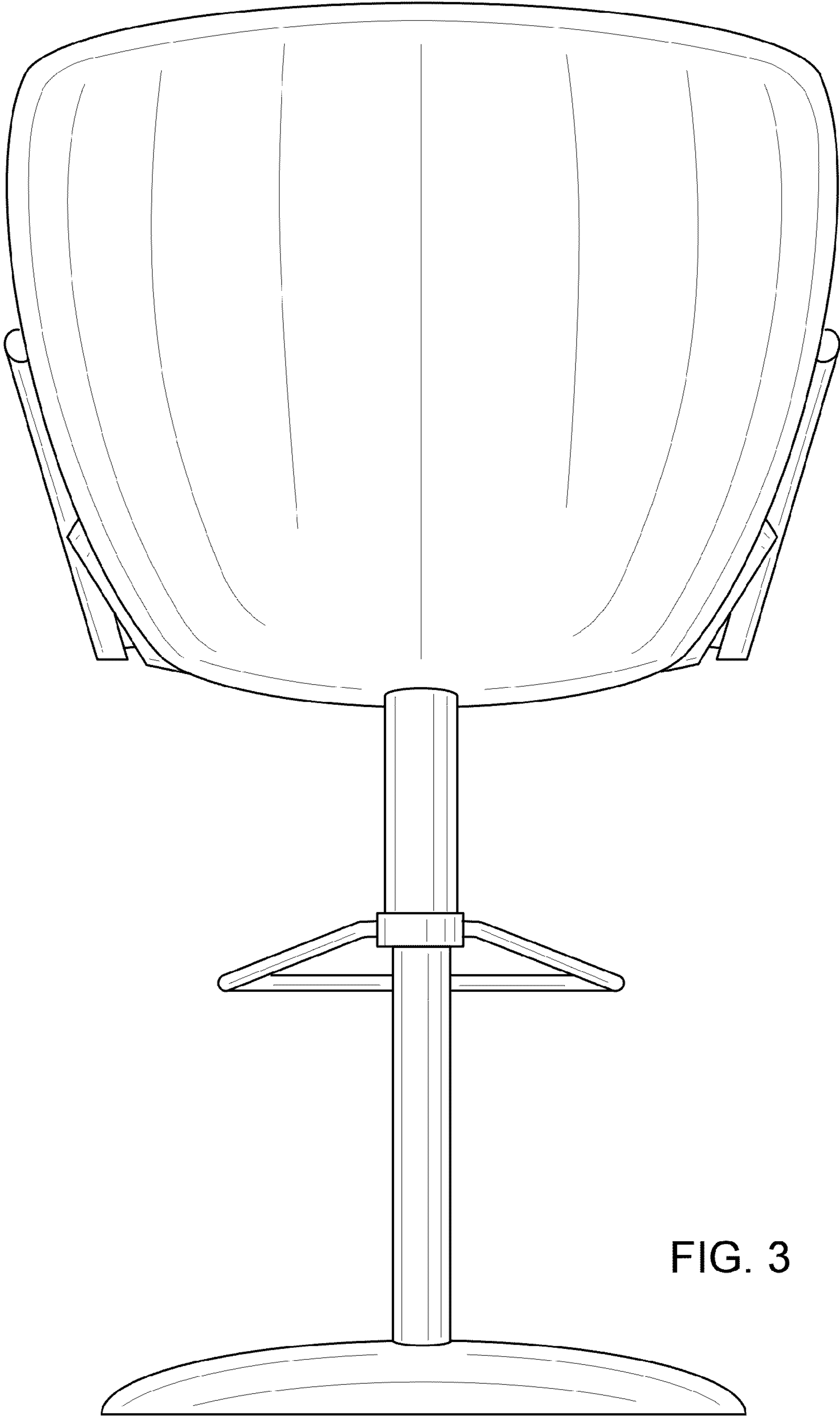


FIG. 3

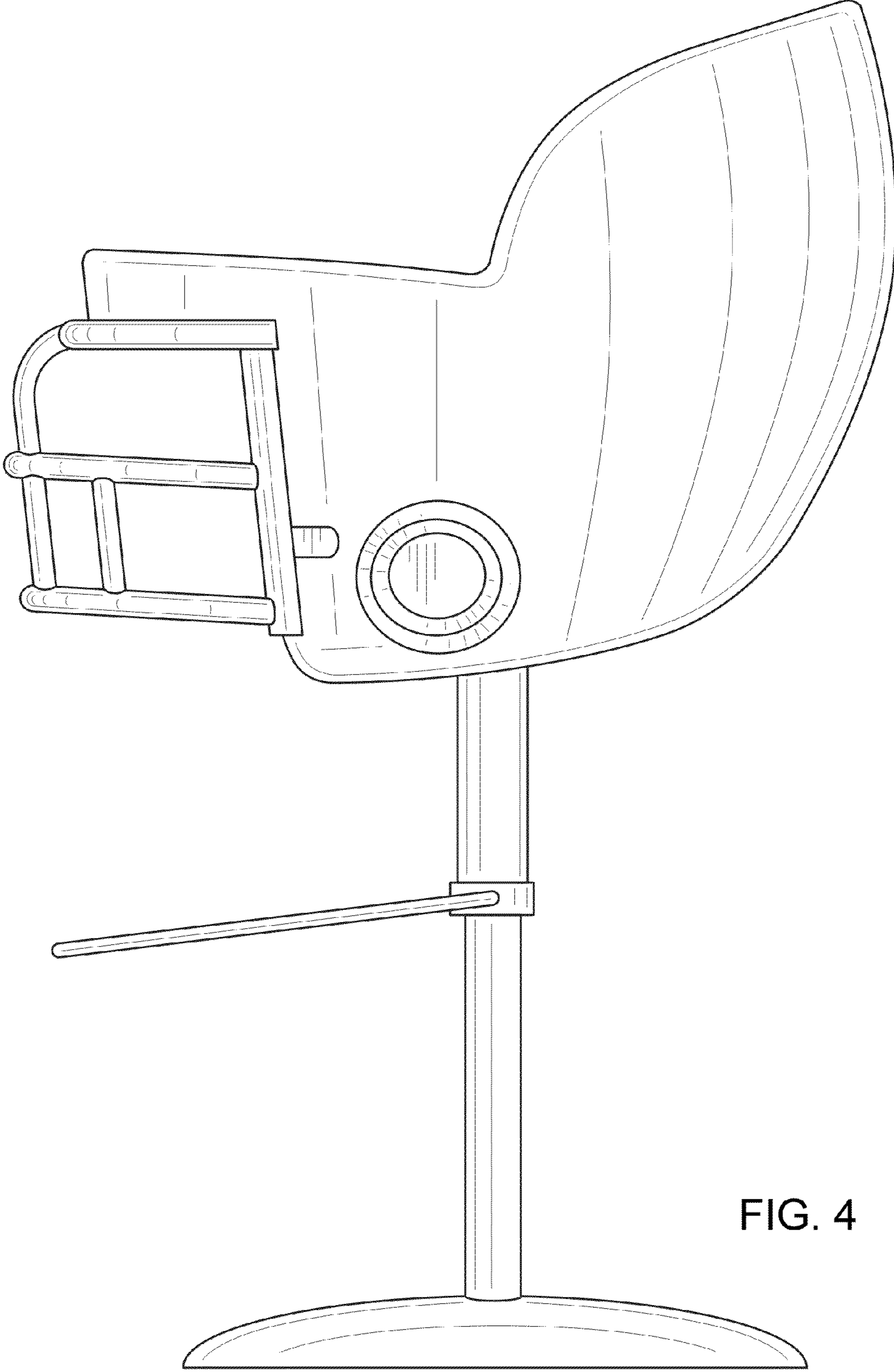


FIG. 4

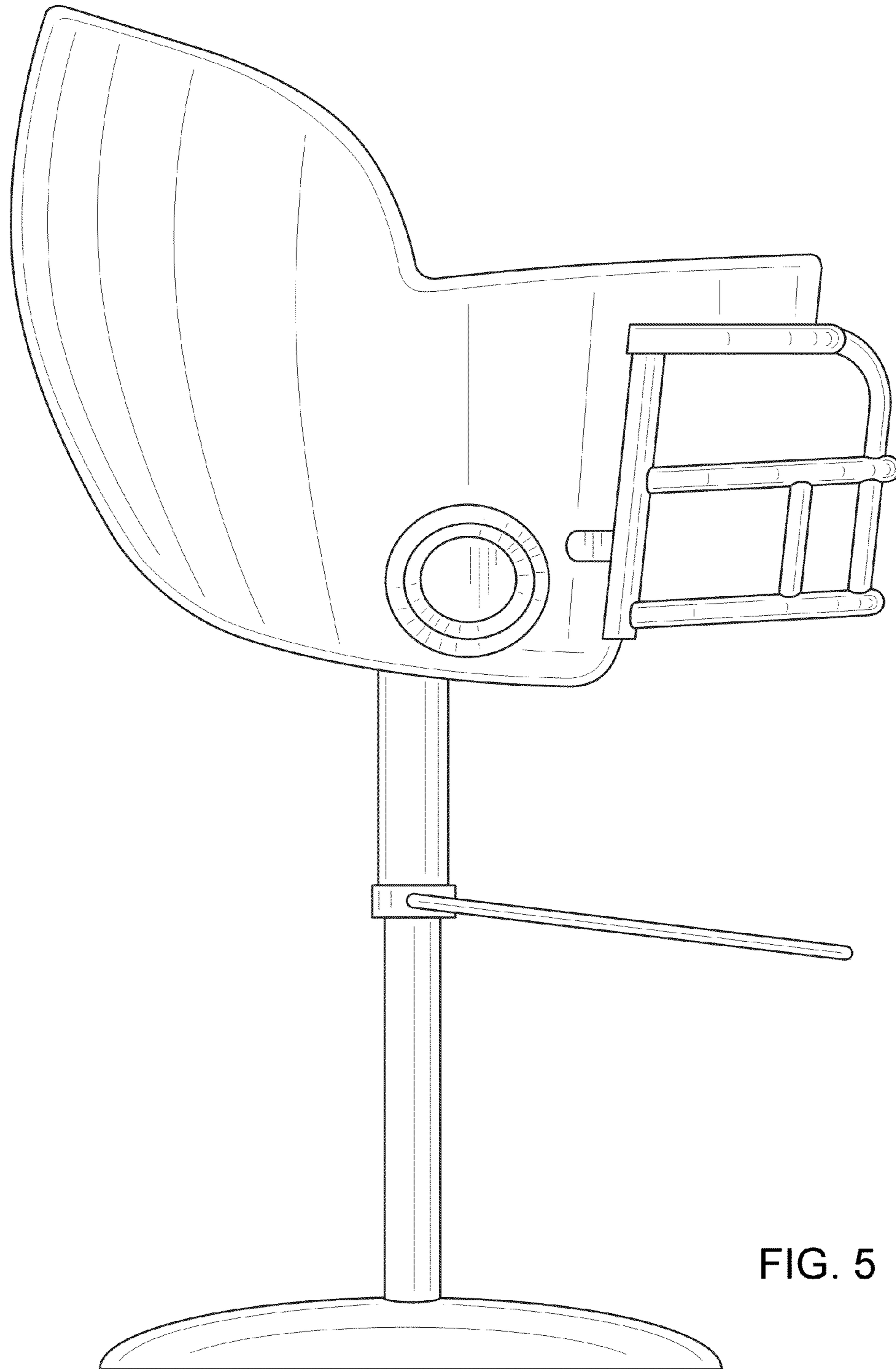


FIG. 5

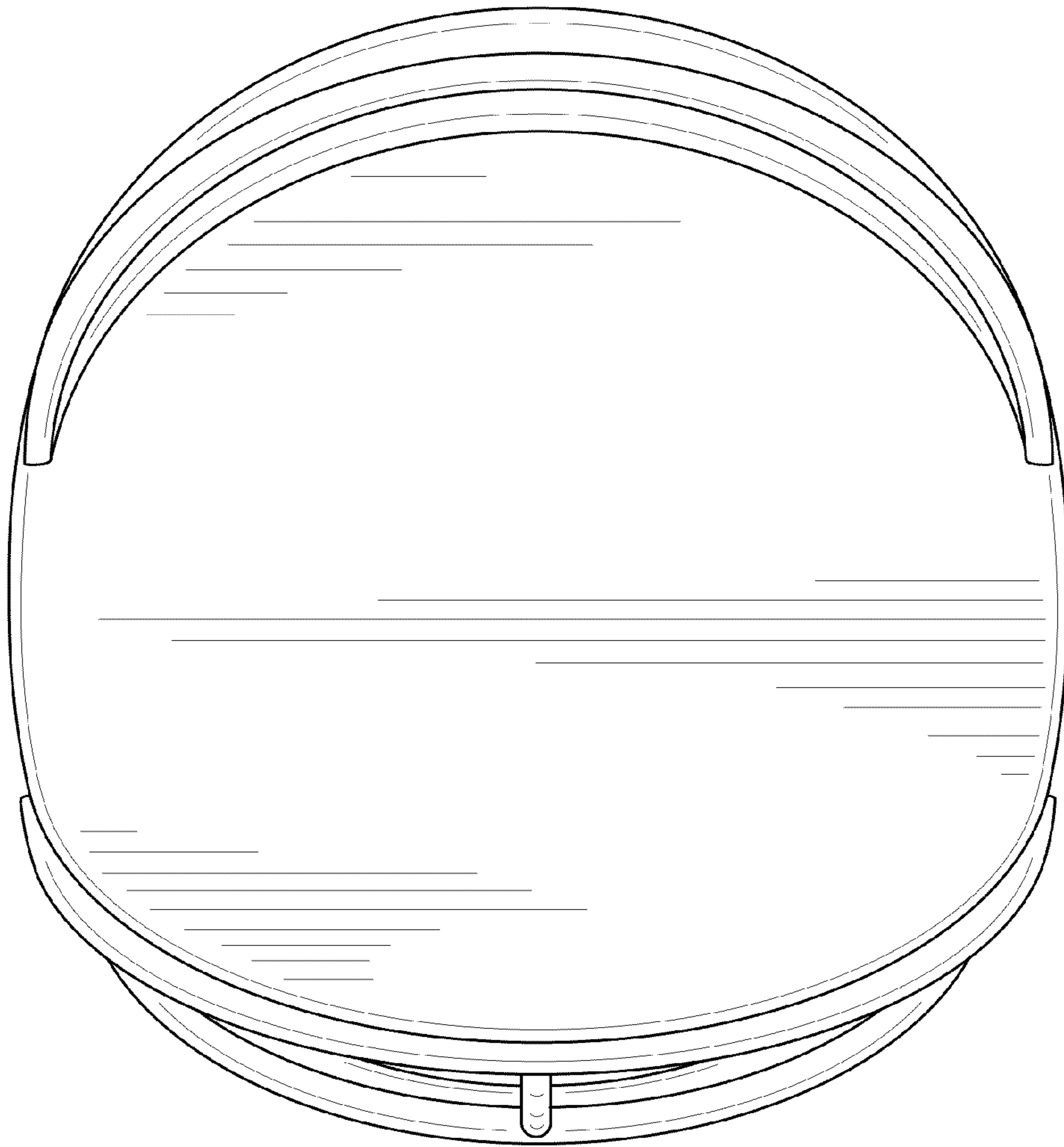


FIG. 6

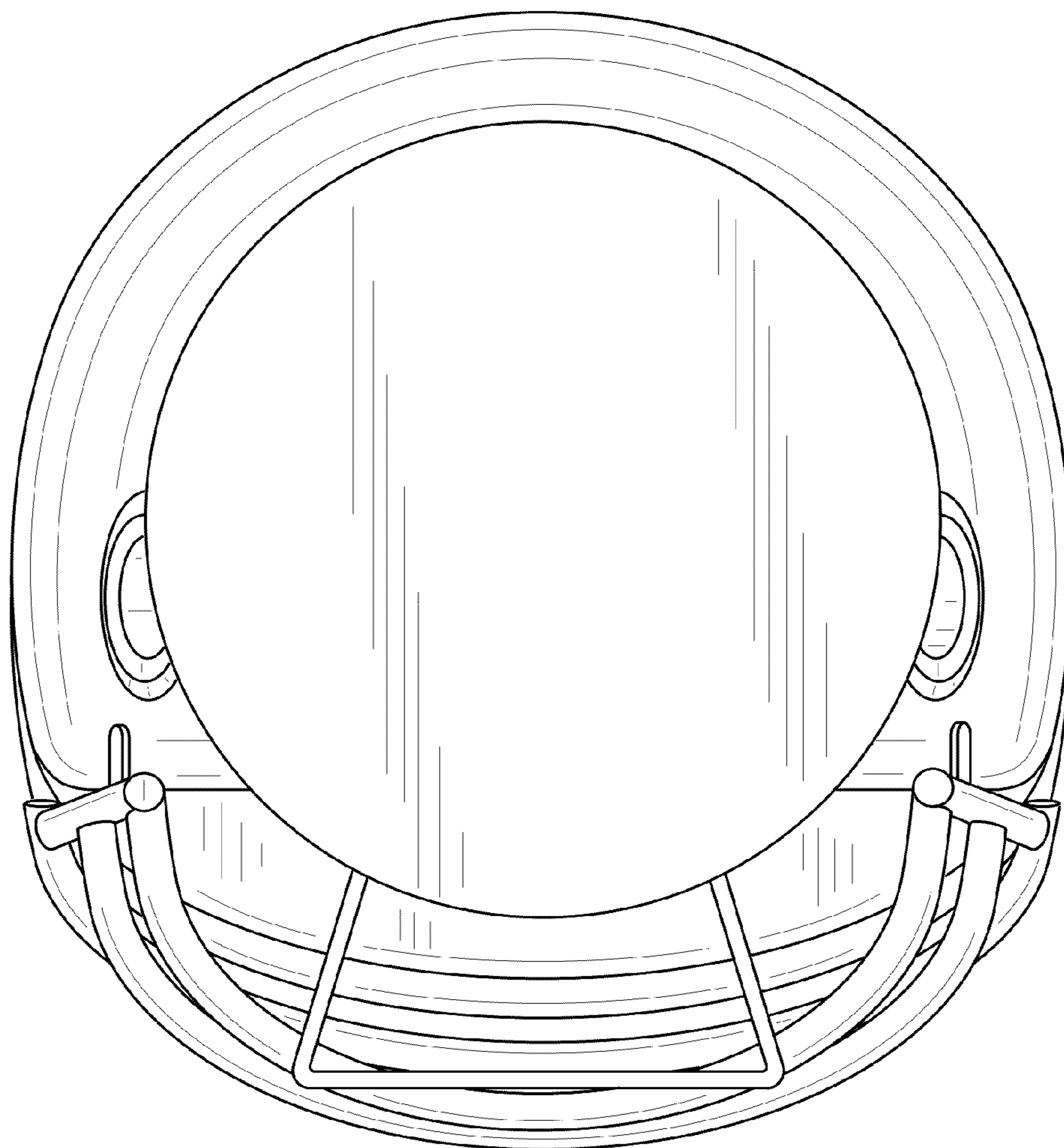


FIG. 7