



US00D697326S

(12) **United States Design Patent**
De Ridder

(10) **Patent No.:** **US D697,326 S**
(45) **Date of Patent:** **** Jan. 14, 2014**

(54) **WEDGE SEATING DEVICE**
(76) Inventor: **Martin Alexander De Ridder,**
Plymouth, WI (US)
(**) Term: **14 Years**
(21) Appl. No.: **29/418,315**
(22) Filed: **Apr. 14, 2012**
(51) **LOC (10) Cl.** **06-01**
(52) **U.S. Cl.**
USPC **D6/349**
(58) **Field of Classification Search**
USPC D6/330, 337, 341, 346, 349-355, 357,
D6/362, 364-373, 376, 377, 381, 645, 656,
D6/658, 665, 674, 675.5, 676, 690, 691,
D6/694, 704, 705, 707, 707.19,
D6/716.1-716.6, 717, 717.2; 297/423.12,
297/423.13, 423.37, 461, 462, 115, 116,
297/135, 160-162
See application file for complete search history.

D386,643 S * 11/1997 Farrell D6/601
D413,981 S * 9/1999 Swedberg et al. D24/190
D475,592 S * 6/2003 Spencer D8/47
D626,348 S * 11/2010 Garrard D6/354
D658,421 S * 5/2012 Williams D6/604
D688,479 S * 8/2013 Toll D6/354

* cited by examiner

Primary Examiner — Susan Bennett Hattan
Assistant Examiner — Vy Koenig
(74) *Attorney, Agent, or Firm* — Steven H Greenfield;
Greenfield Invention and Patent Consulting, Inc

(57) **CLAIM**
The ornamental design for a wedge seating device, as shown
and described.

DESCRIPTION

FIG. 1 is a front view of a wedge seating device showing my
new design; the rear view is identical;
FIG. 2 is a bottom view thereof;
FIG. 3 is a first side view thereof; the second side view being
a mirror image of the first side view;
FIG. 4 is a top view thereof;
FIG. 5 is a side perspective view thereof;
FIG. 6 is a front perspective view thereof; and,
FIG. 7 is a top perspective view thereof.

(56) **References Cited**
U.S. PATENT DOCUMENTS
D25,485 S * 5/1896 Havlin D6/354
D215,712 S * 10/1969 Duckett et al. D6/502

1 Claim, 7 Drawing Sheets

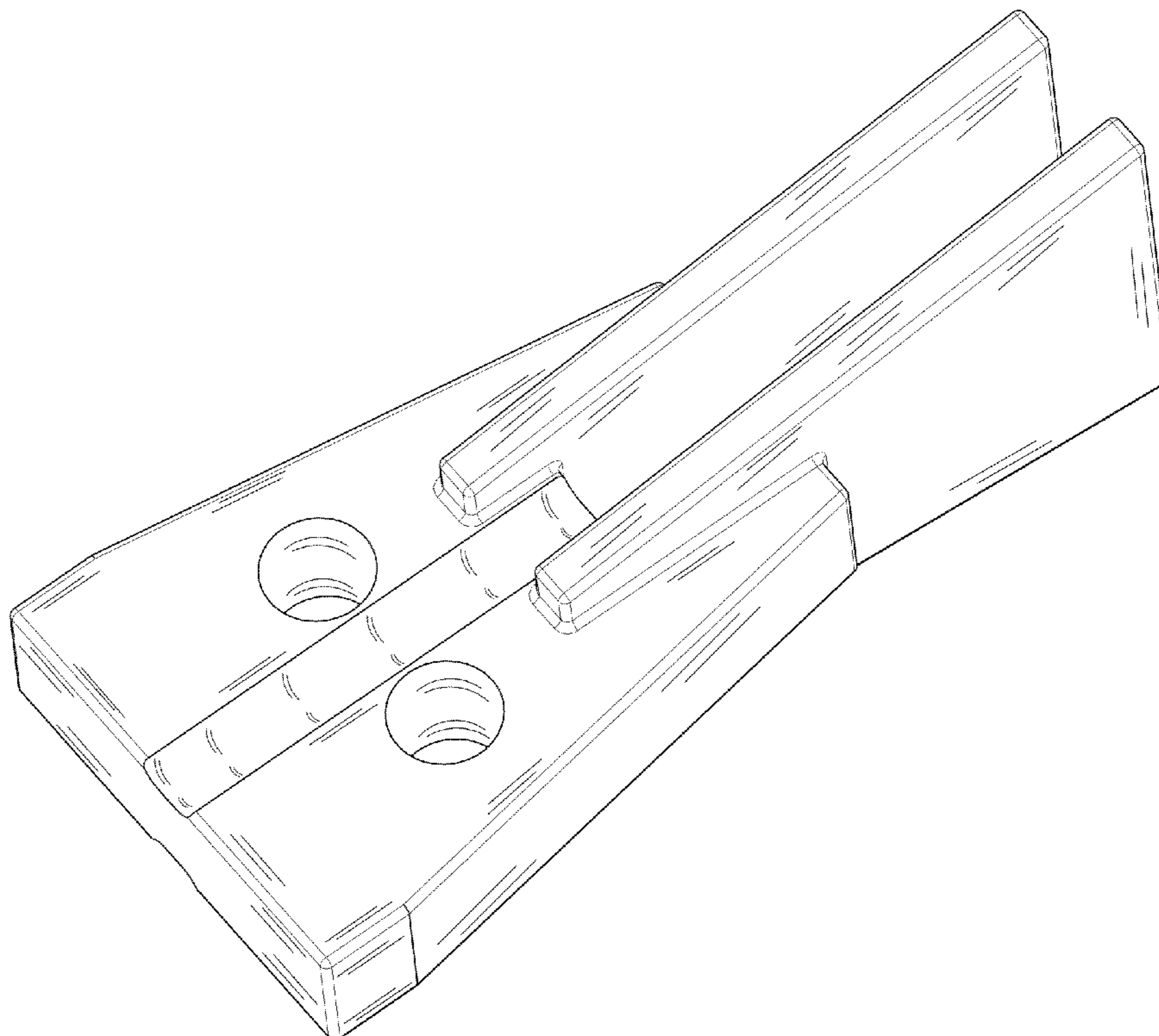


FIG. 1

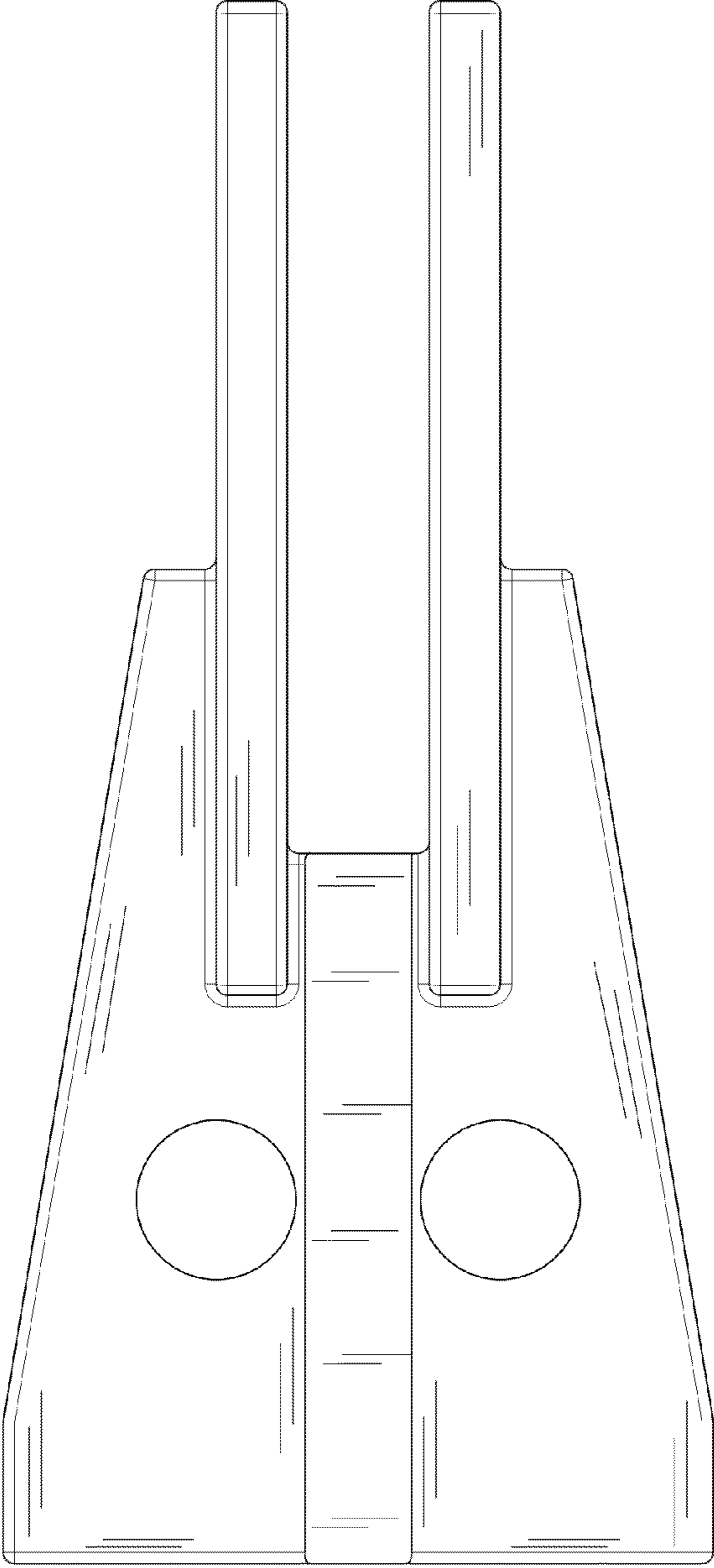


FIG. 2

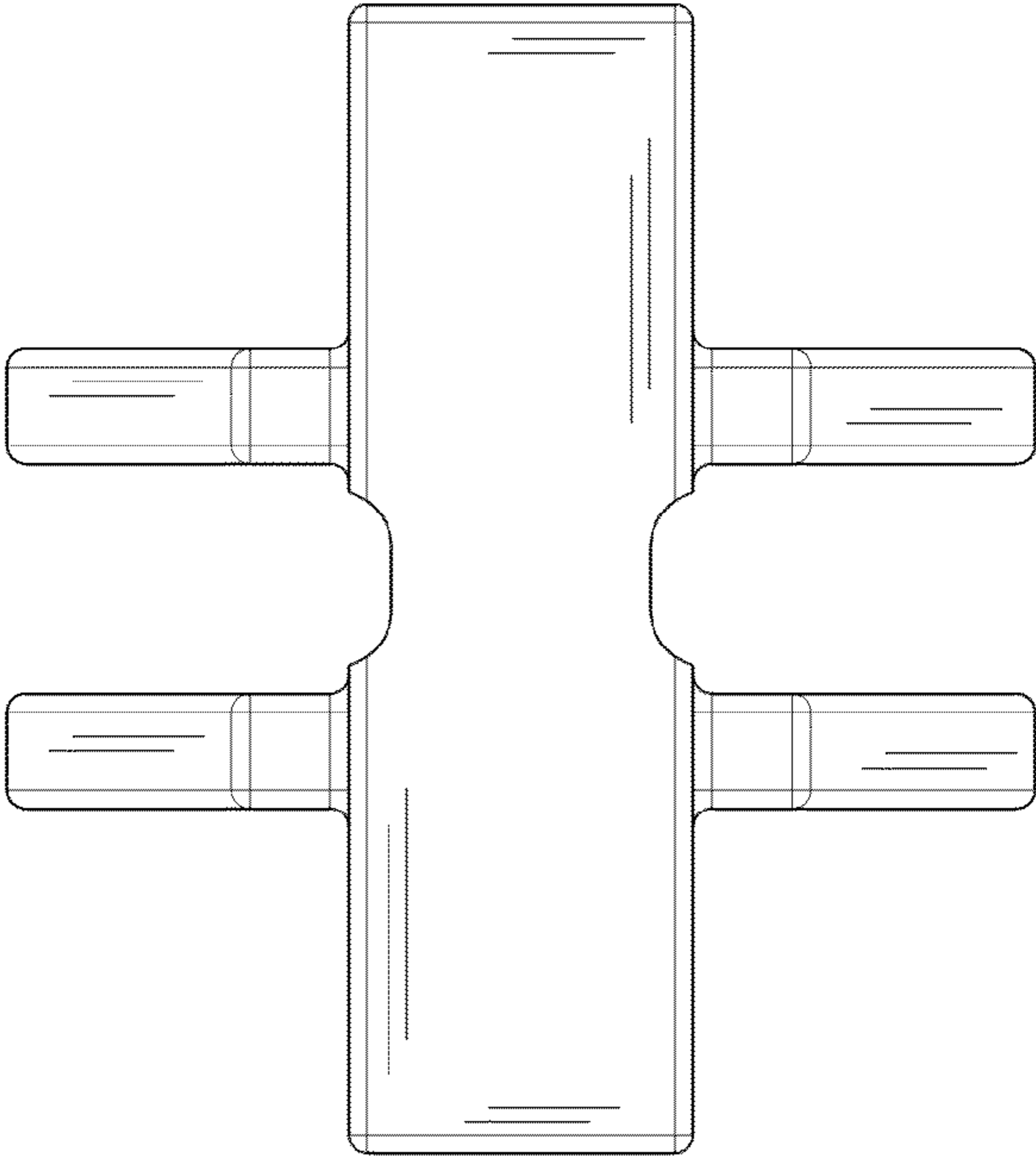


FIG. 3

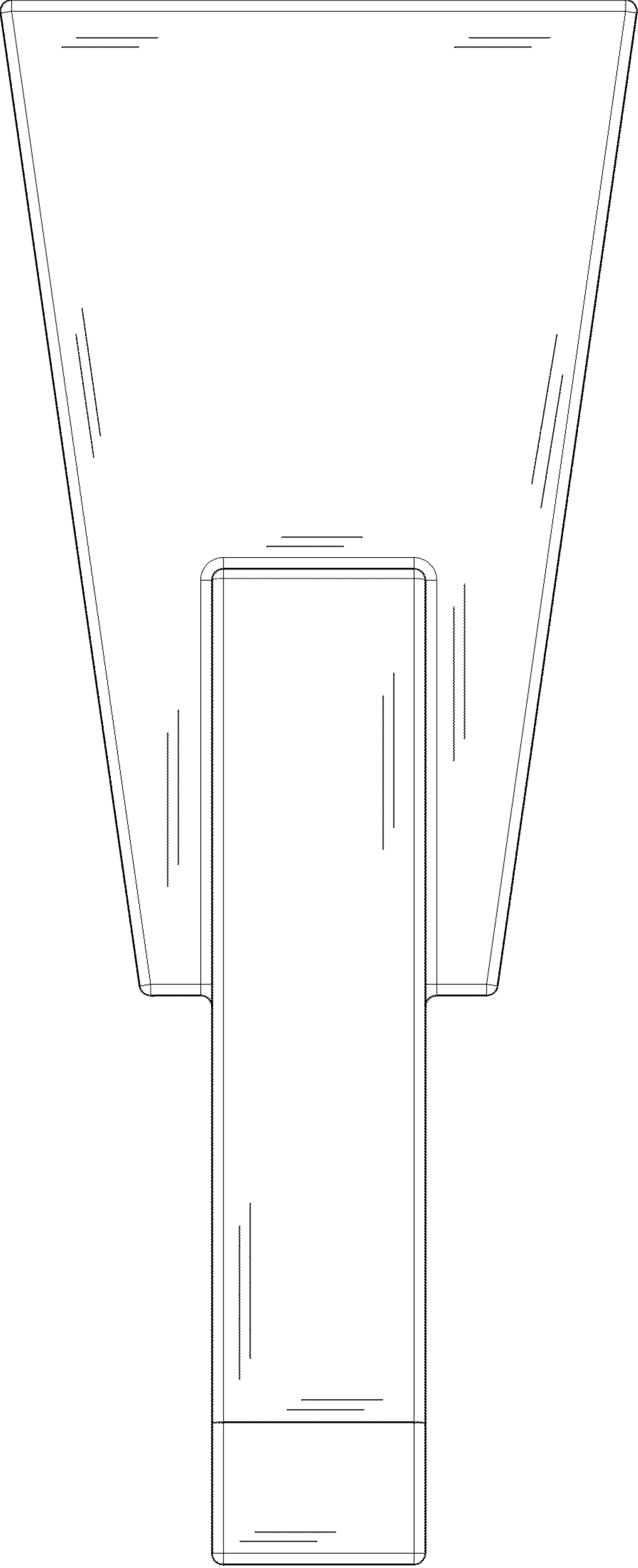
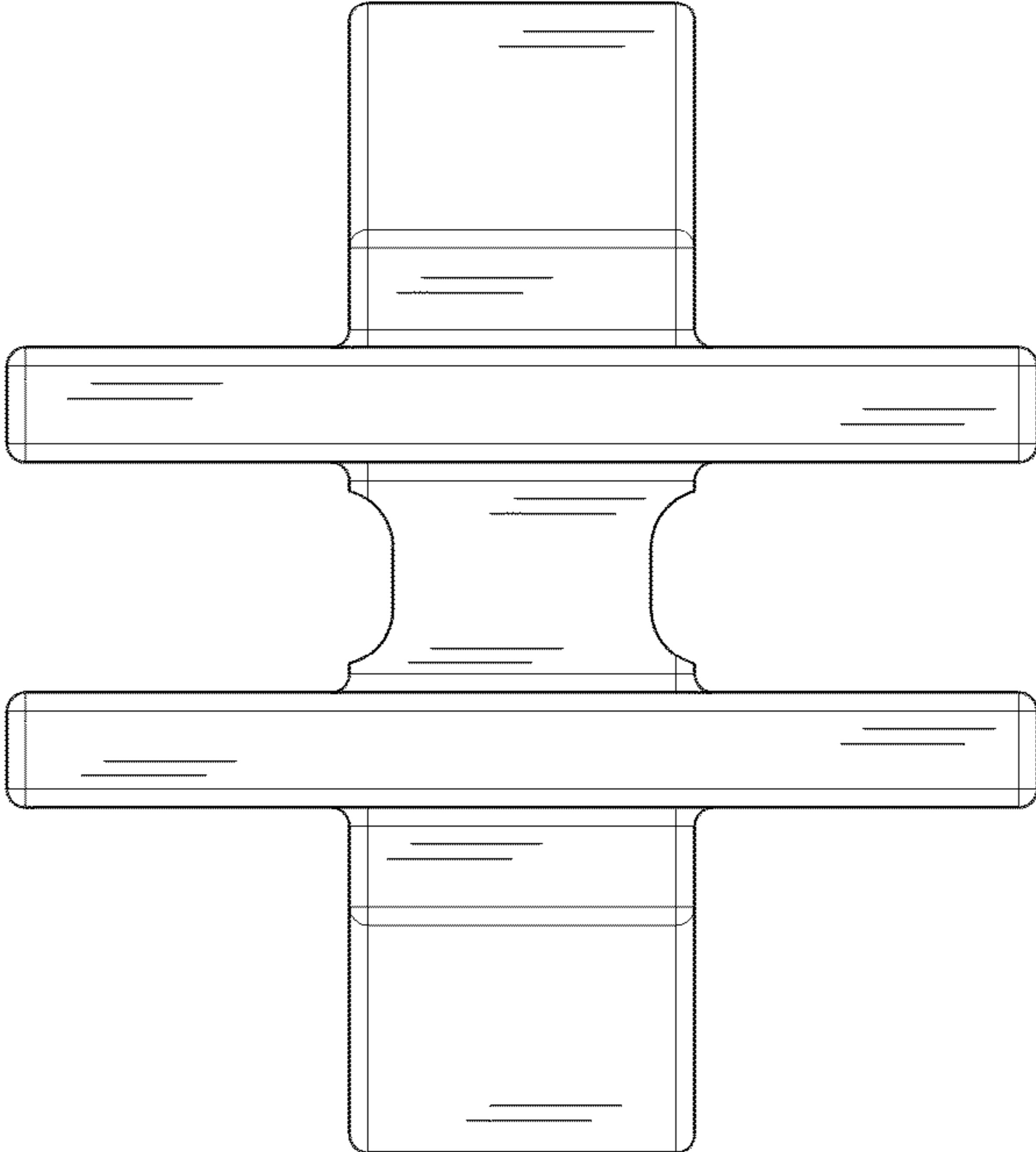


FIG. 4



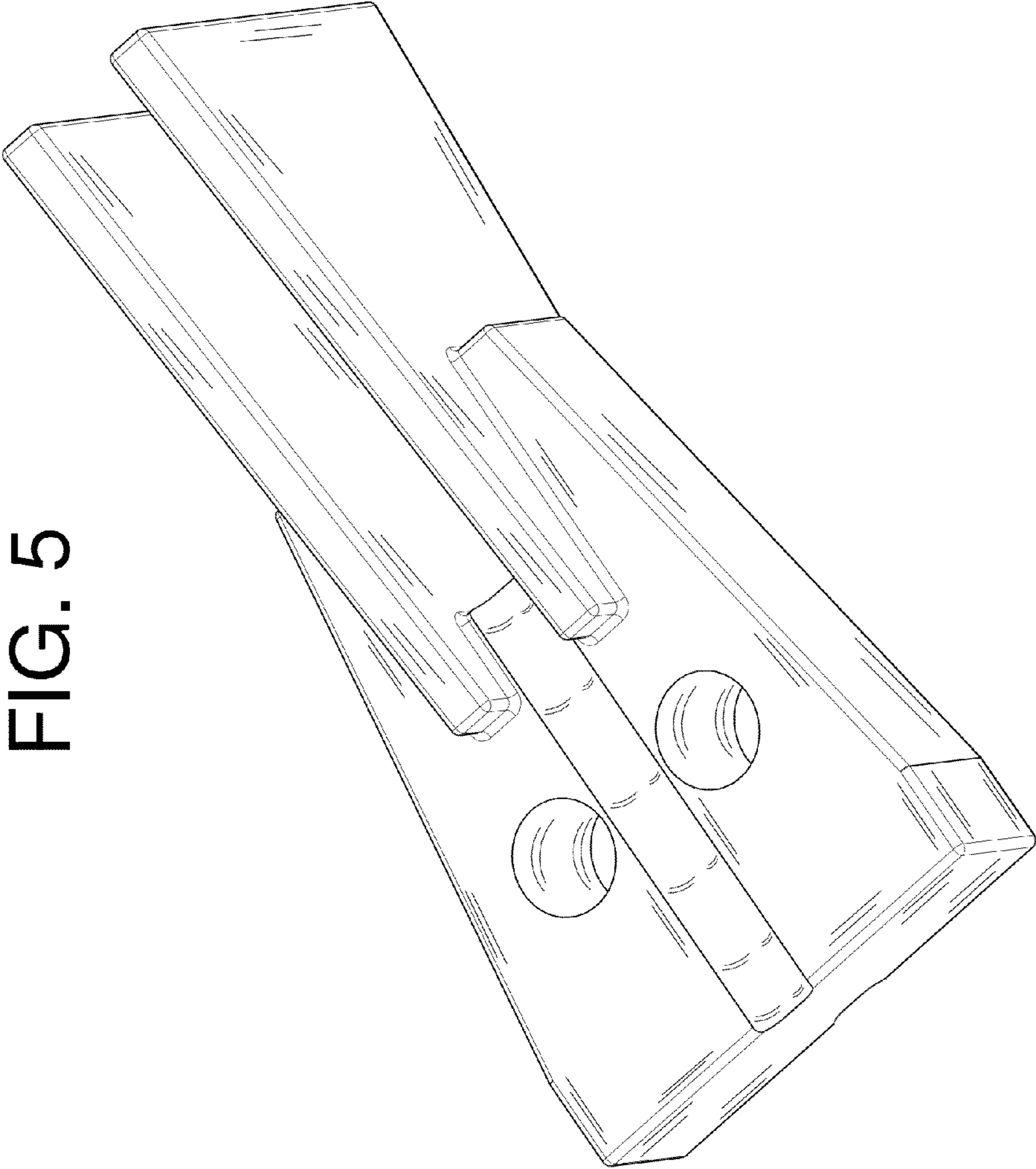


FIG. 5

FIG. 6

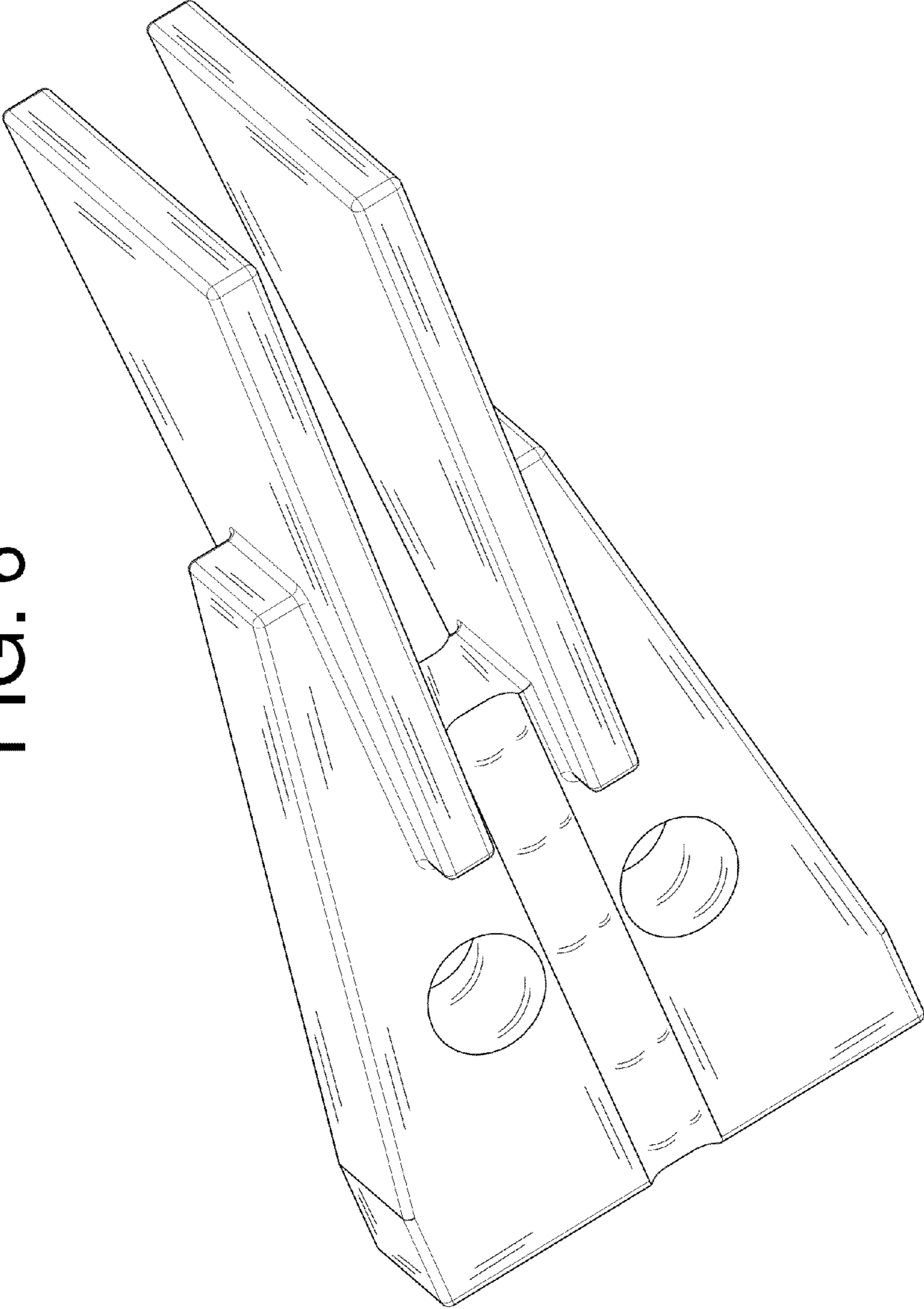


FIG. 7

