



US00D697324S

(12) **United States Design Patent**
Arnold

(10) **Patent No.:** **US D697,324 S**

(45) **Date of Patent:** **** Jan. 14, 2014**

(54) **BENCH SWING**

(71) Applicant: **Pansy Ruth Arnold**, Wilmington, NC
(US)

(72) Inventor: **Pansy Ruth Arnold**, Wilmington, NC
(US)

(**) Term: **14 Years**

(21) Appl. No.: **29/464,670**

(22) Filed: **Aug. 20, 2013**

(51) **LOC (10) Cl.** **06-01**

(52) **U.S. Cl.**
USPC **D6/347**

(58) **Field of Classification Search**
USPC D6/334-33, 344, 347, 369, 370, 376,
D6/716, 716.1, 716.2, 716.3, 716.4;
D21/823; 297/273, 277, 280, 281, 282,
297/452.63; 472/118, 122, 125
See application file for complete search history.

(56) **References Cited**

U.S. PATENT DOCUMENTS

1,271,383	A *	7/1918	Street	297/281
1,325,358	A *	12/1919	Elzey	297/281
1,346,973	A *	7/1920	Padden	297/280
1,417,443	A *	5/1922	Baughner et al.	297/280
1,815,185	A *	7/1931	Cobb	297/281
4,796,949	A *	1/1989	Boyce	297/282
D327,584	S *	7/1992	Braxton, III	D6/347

D405,278	S *	2/1999	Pomeroy et al.	D6/347
6,343,838	B1 *	2/2002	Bagshaw	297/280
D492,129	S *	6/2004	Noll	D6/344
6,958,017	B1 *	10/2005	Toombs, Jr.	472/125
7,951,012	B1 *	5/2011	Burriss	472/118
2010/0279783	A1 *	11/2010	Tseng	472/118

* cited by examiner

Primary Examiner — Mimoso De

(74) *Attorney, Agent, or Firm* — Carla Gannon Law

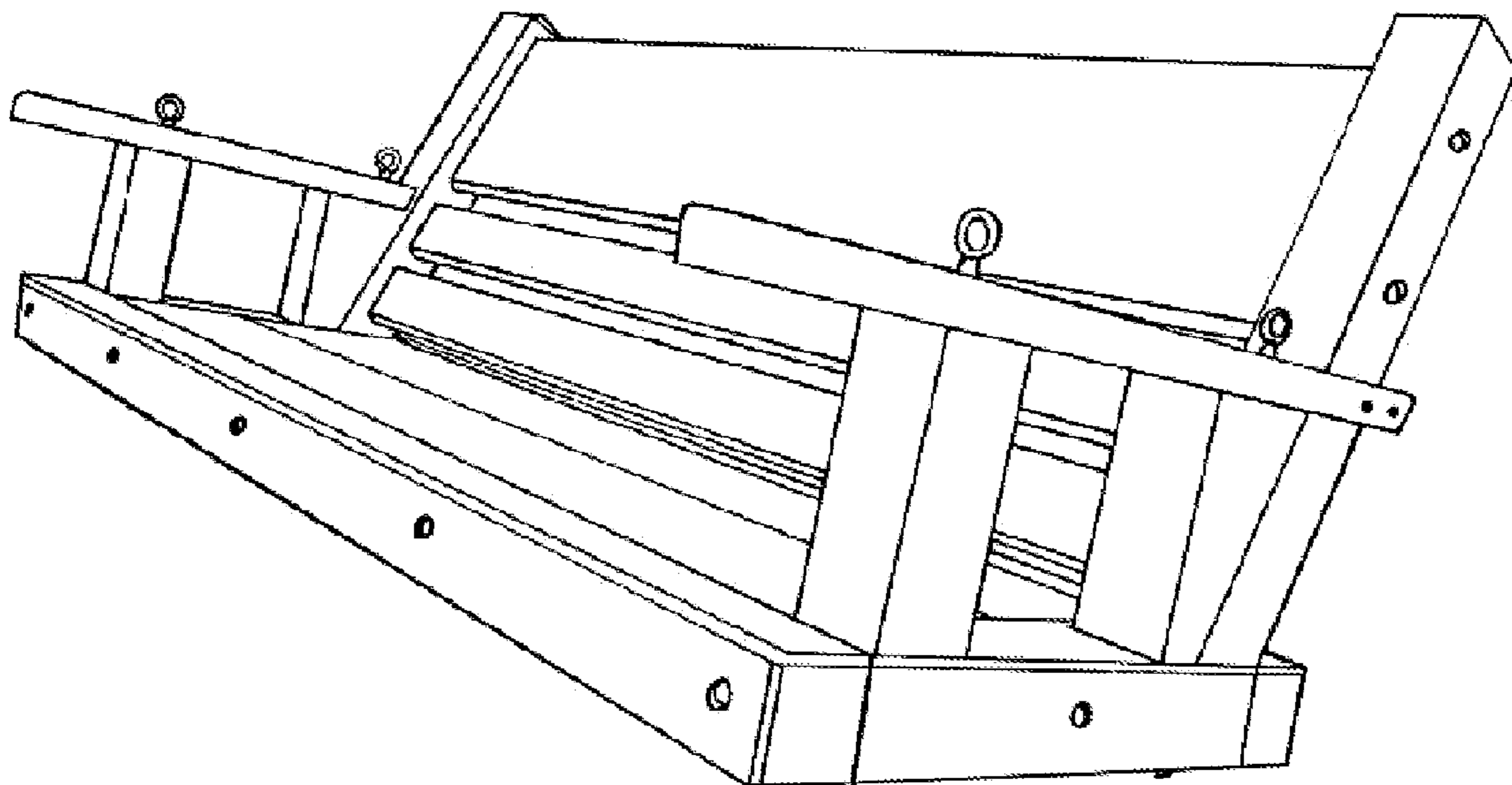
(57) **CLAIM**

I claim the ornamental design for a bench swing, as shown and described.

DESCRIPTION

FIG. 1 is a perspective view of a bench swing showing my new design;
FIG. 2 is a front perspective view of the bench swing of FIG. 1;
FIG. 3 is another front perspective view of the bench swing of FIG. 1;
FIG. 4 is a right-side view of the bench swing of FIG. 1, the left-side being a mirror image thereof;
FIG. 5 is a bottom plan view of the bench swing of FIG. 1; and
FIG. 6 is a rear view of the bench swing of FIG. 1; and
FIG. 7 is a top view of the bench swing of FIG. 1.
The broken lines shown in the drawing are for illustrative purposes only and form no part of the claimed design.

1 Claim, 7 Drawing Sheets



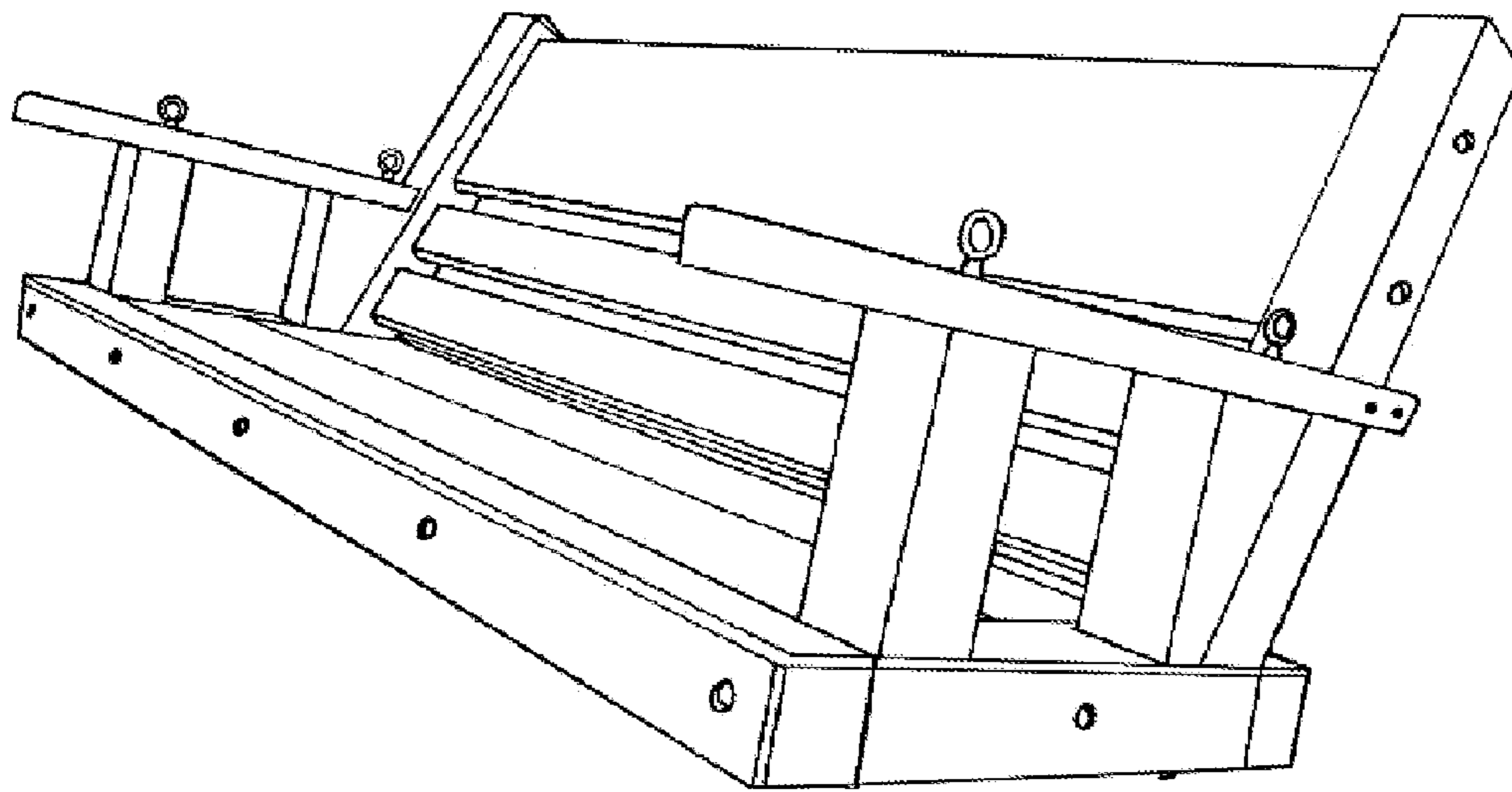


FIG. 1

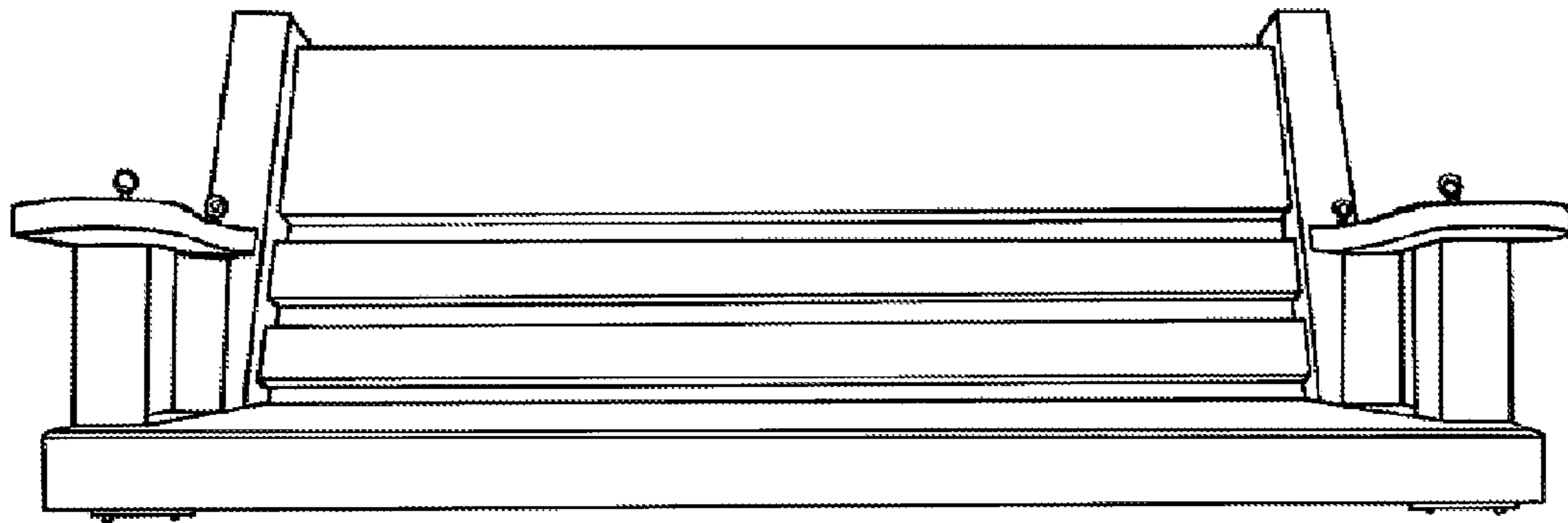


FIG. 2

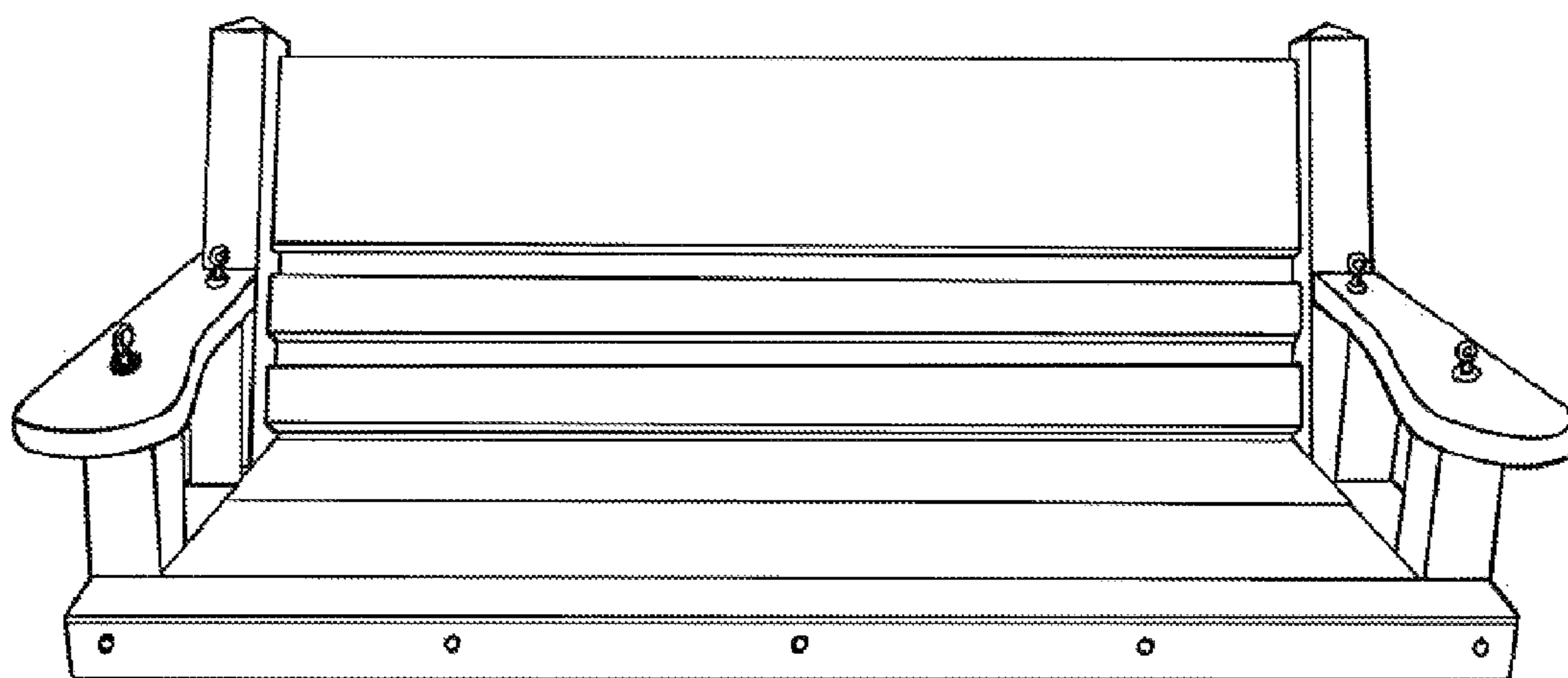


FIG. 3

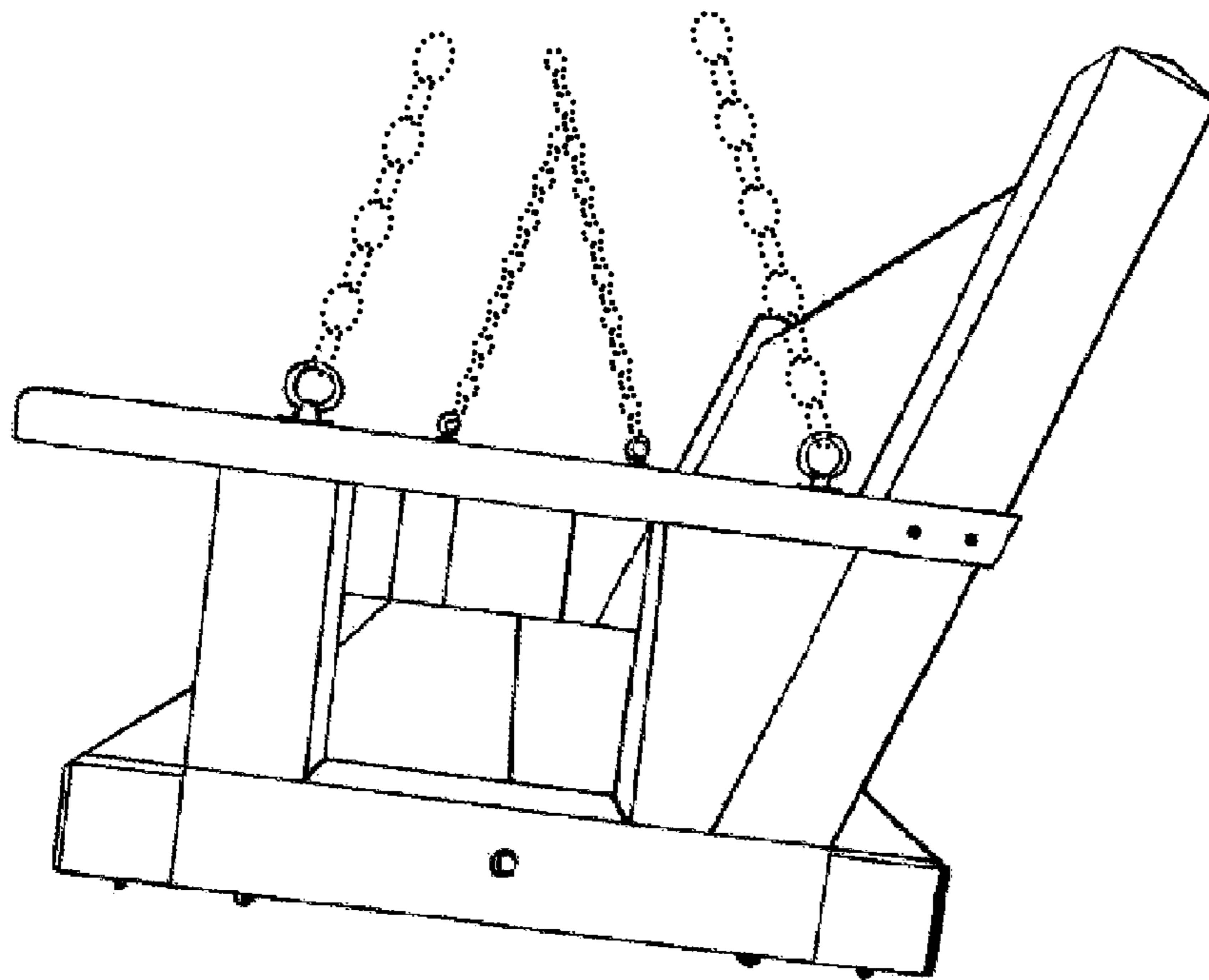


FIG. 4

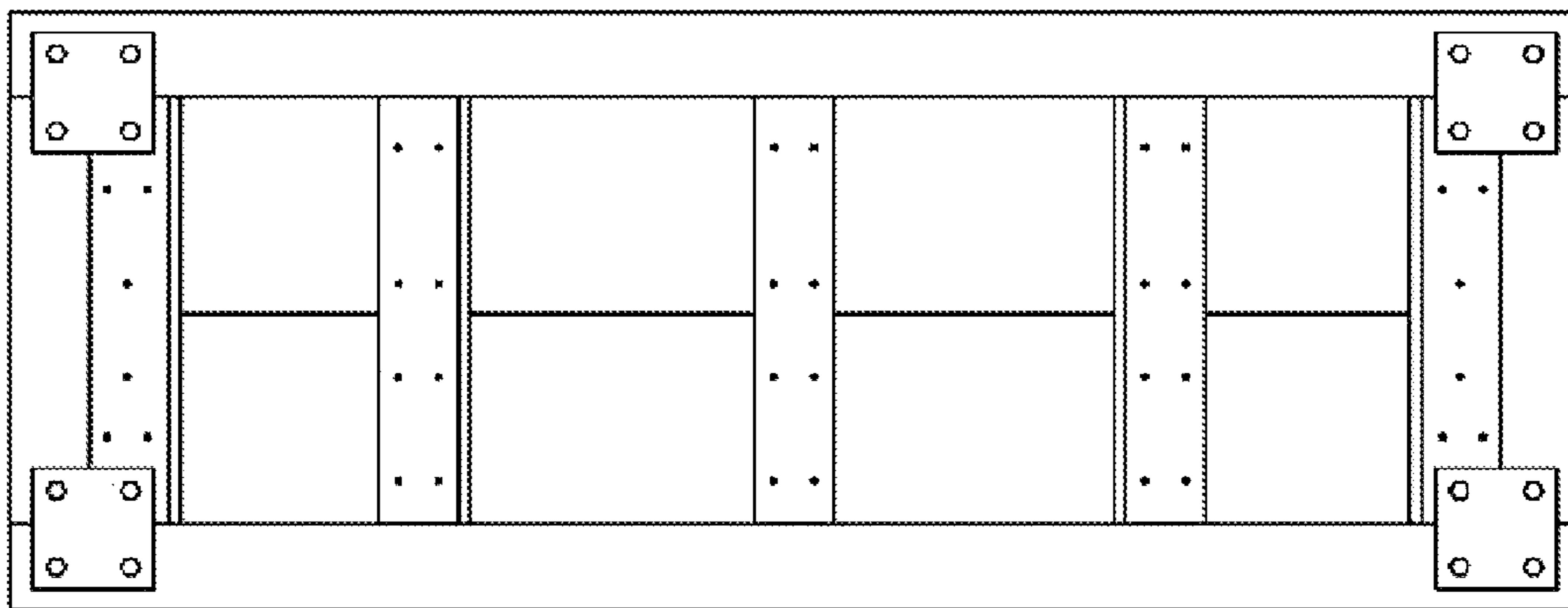


FIG. 5

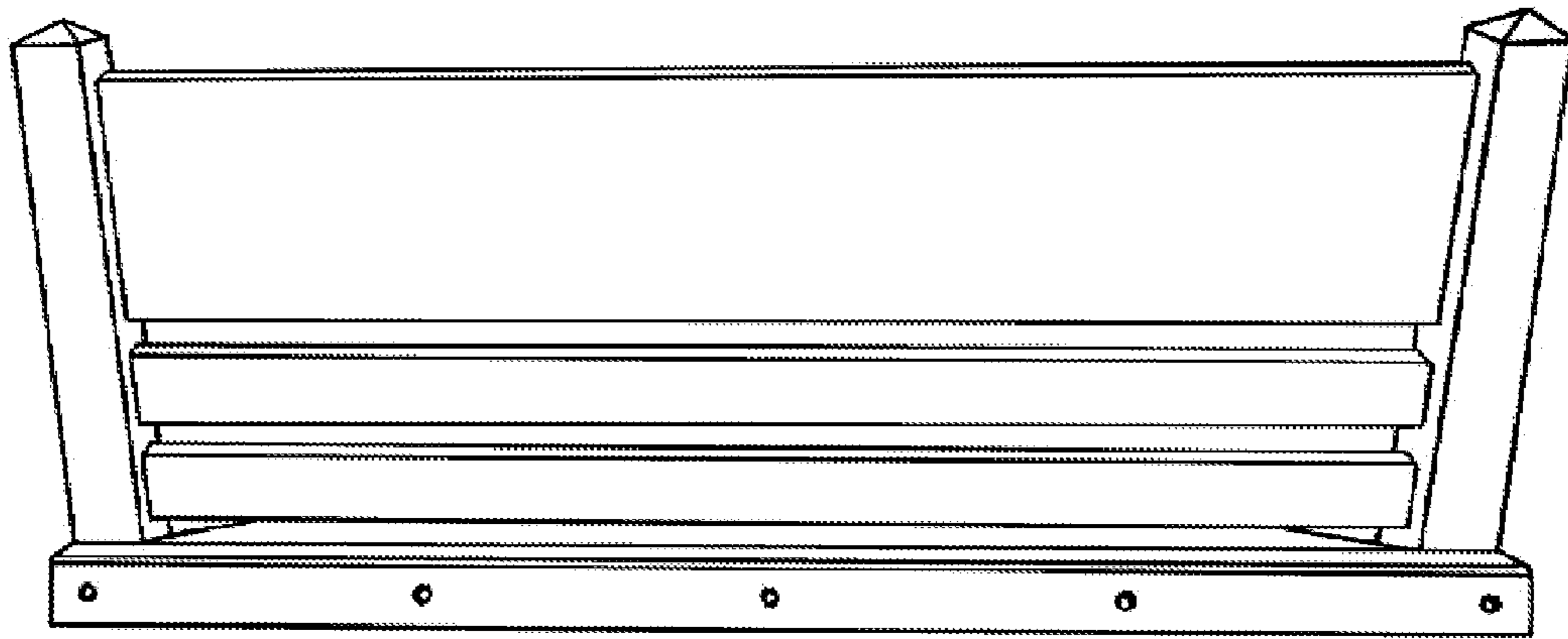


FIG. 6

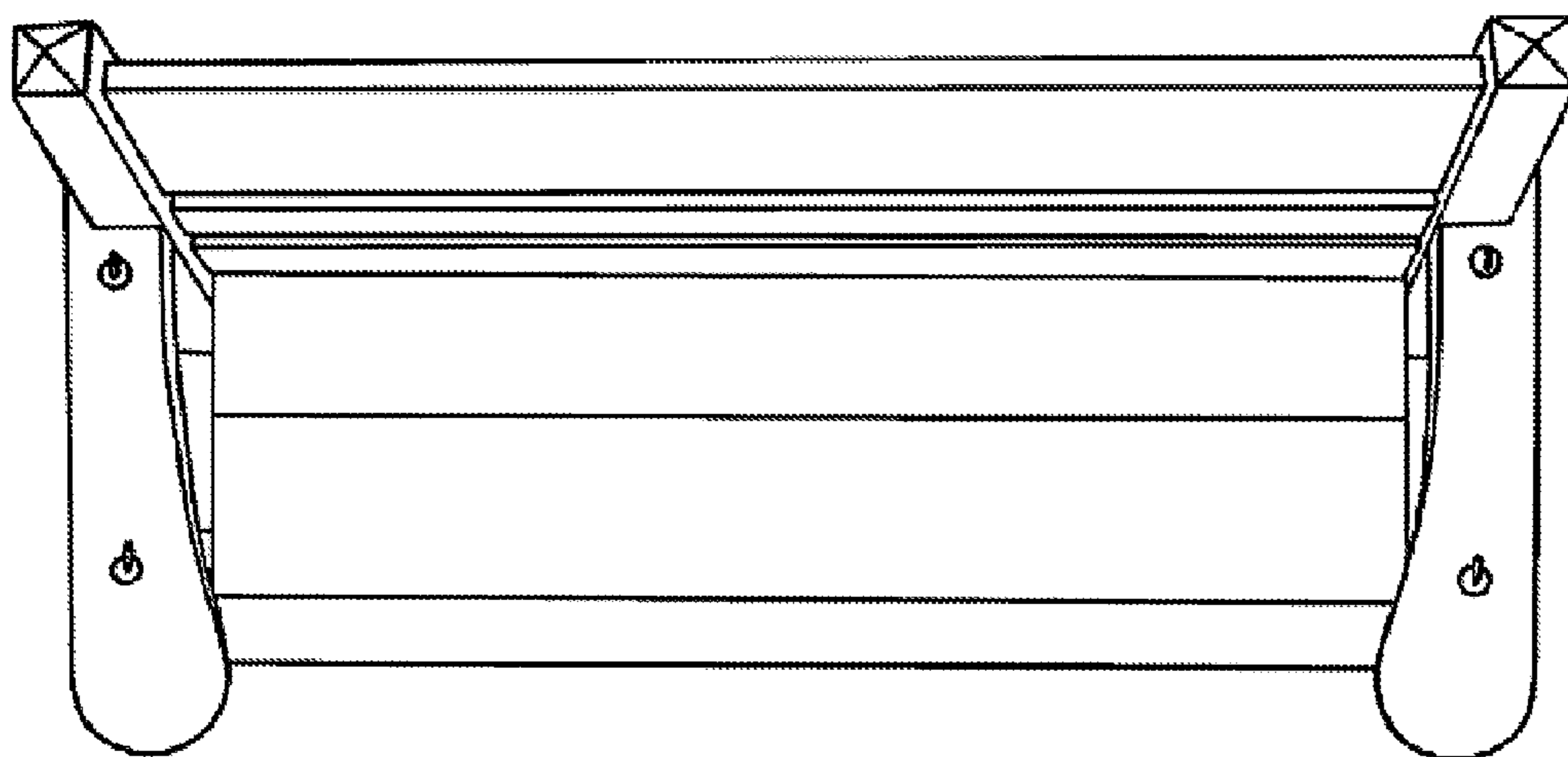


FIG. 7