

US00D697323S

(12) **United States Design Patent**
Williams et al.

(10) **Patent No.:** **US D697,323 S**

(45) **Date of Patent:** **** Jan. 14, 2014**

(54) **CHILD CAR SEAT**

(75) Inventors: **Bruce L. Williams**, Narvon, PA (US);
Sharon A. Gillett, Reinholds, PA (US)

(73) Assignee: **Wonderland Nurserygoods Company Limited**, Central (HK)

(**) Term: **14 Years**

(21) Appl. No.: **29/407,536**

(22) Filed: **Nov. 30, 2011**

(51) **LOC (10) Cl.** **06-01**

(52) **U.S. Cl.**

USPC **D6/333**

(58) **Field of Classification Search**

USPC D6/333-336, 339, 491, 500-502, 344,
D6/702, 716, 716.1-716.7; D12/129-130,
D12/133; D21/412, 428, 419; 280/30-31;
5/94, 98.1, 99.1, 101-102, 105, 655,
5/93.1, 12.1; 297/183.1-183.4, 184.13,
297/184.15, 184.17, 250.1, 255, 256.1,
297/256.15, 219.12, 463.1; 24/200

See application file for complete search history.

(56) **References Cited**

U.S. PATENT DOCUMENTS

D429,075 S * 8/2000 Cone, II D6/333
D430,737 S * 9/2000 Nowak et al. D6/333

D431,116 S * 9/2000 Gibson et al. D6/333
D487,640 S * 3/2004 Chen D6/333
D607,651 S * 1/2010 Karremans D6/333
D607,652 S * 1/2010 Karremans D6/333
D621,171 S * 8/2010 Xu D6/333
D637,824 S * 5/2011 Daly et al. D6/333

* cited by examiner

Primary Examiner — Caron D Veynar

Assistant Examiner — Abraham Bahta

(74) *Attorney, Agent, or Firm* — Bacon & Thomas, PLLC

(57) **CLAIM**

The ornamental design for a child car seat, as shown and described.

DESCRIPTION

FIG. 1 is a perspective view of a child car seat in accordance with our new design;

FIG. 2 is a front view of FIG. 1;

FIG. 3 is a rear view of FIG. 1;

FIG. 4 is a top view of FIG. 1;

FIG. 5 is a bottom view of FIG. 1;

FIG. 6 is a left side view of FIG. 1;

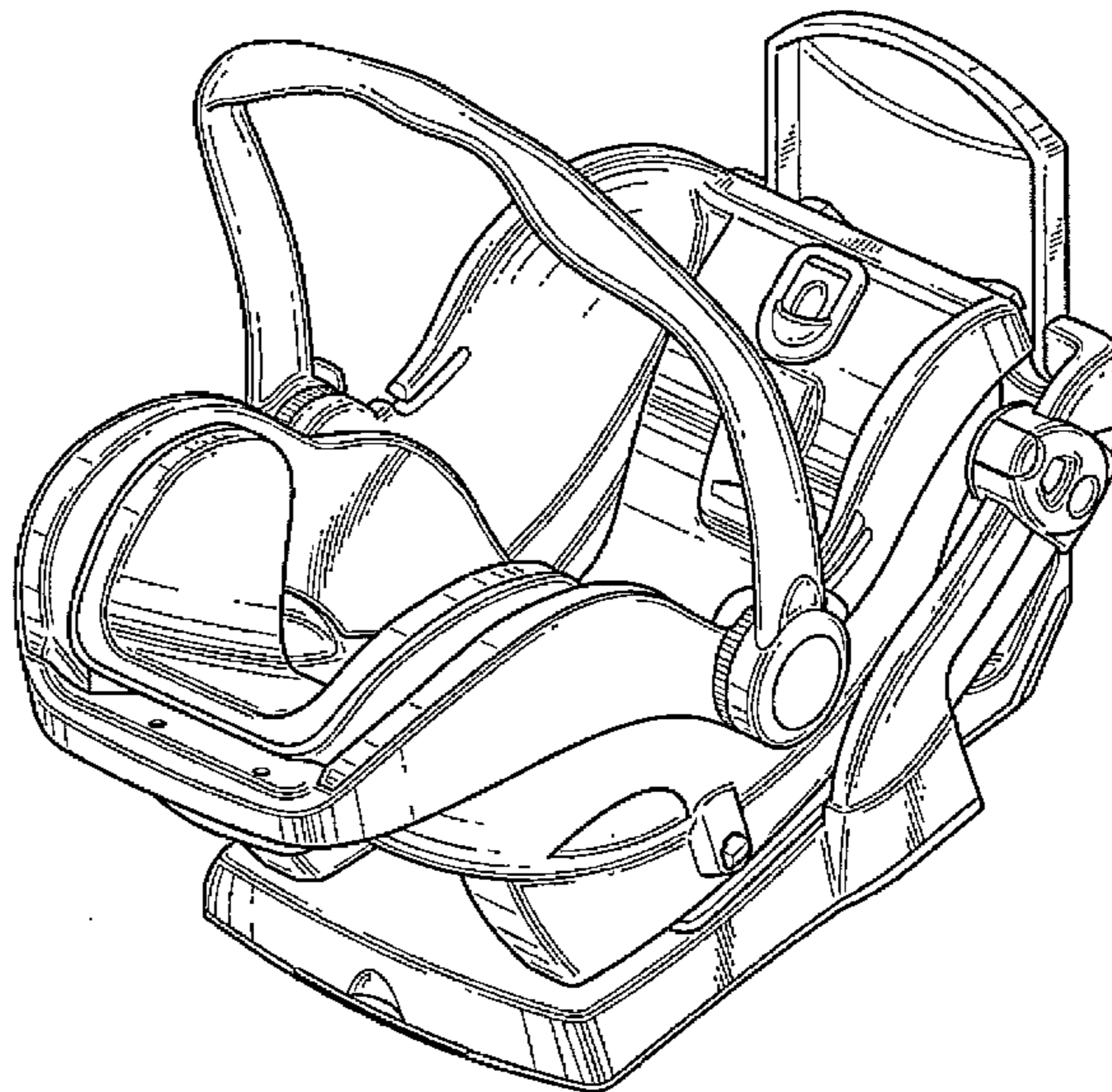
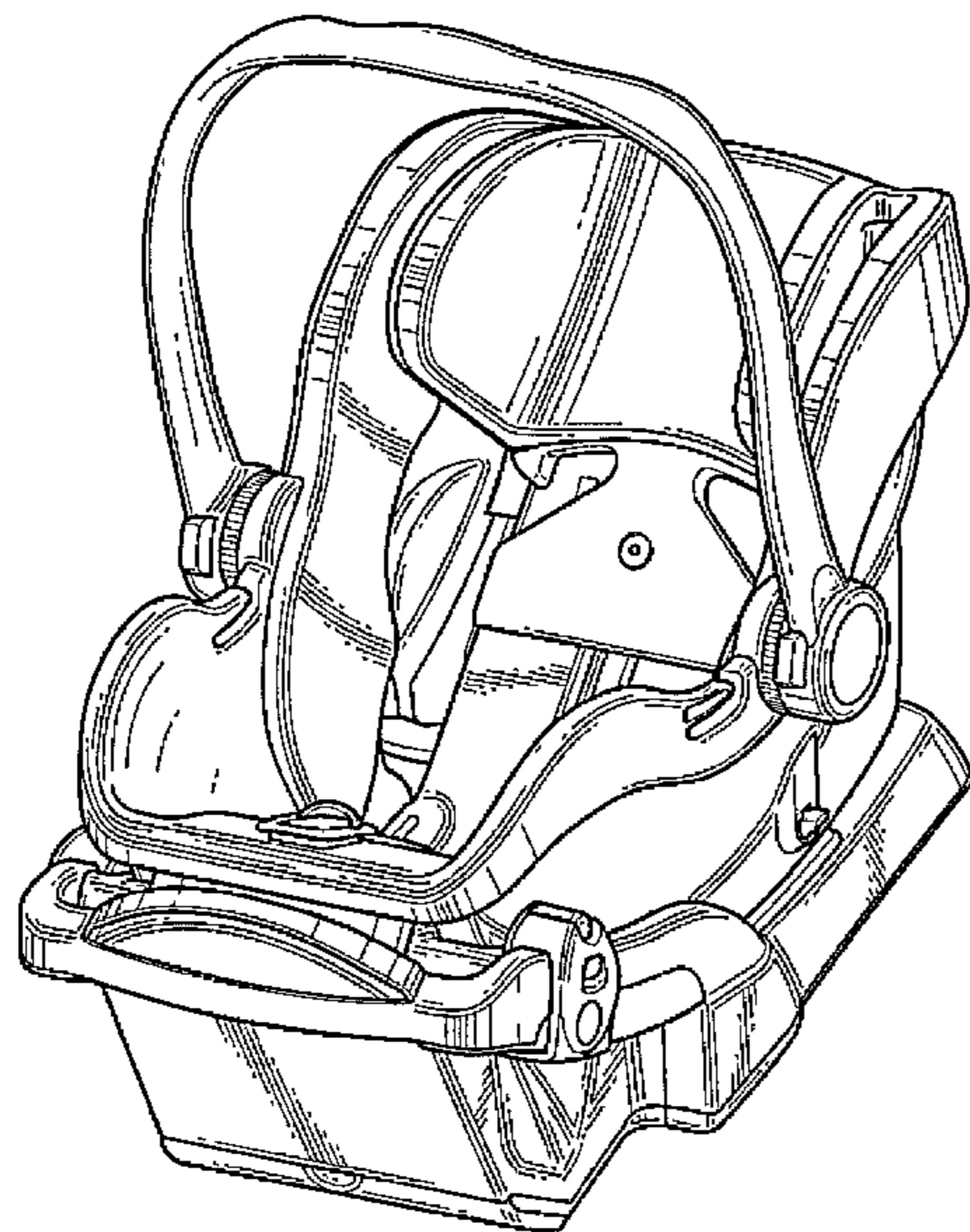
FIG. 7 is a right side view of FIG. 1;

FIG. 8 is a first perspective view showing the child car seat shown in FIG. 1 in use;

FIG. 9 is a second perspective view showing the child car seat shown in FIG. 1 in use; and,

FIG. 10 is a third perspective view of the child car seat shown in FIG. 1 in use.

1 Claim, 10 Drawing Sheets



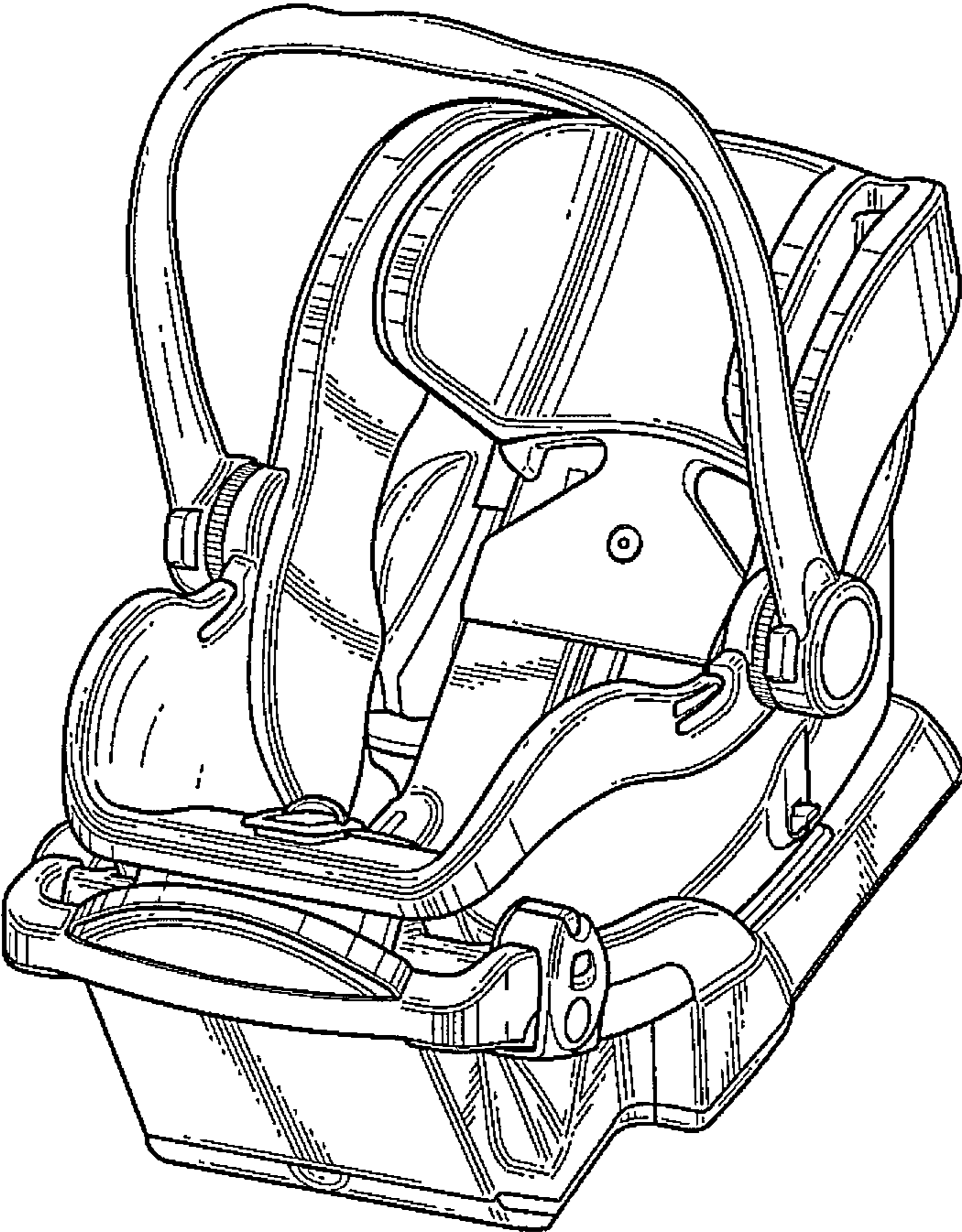


FIG. 1

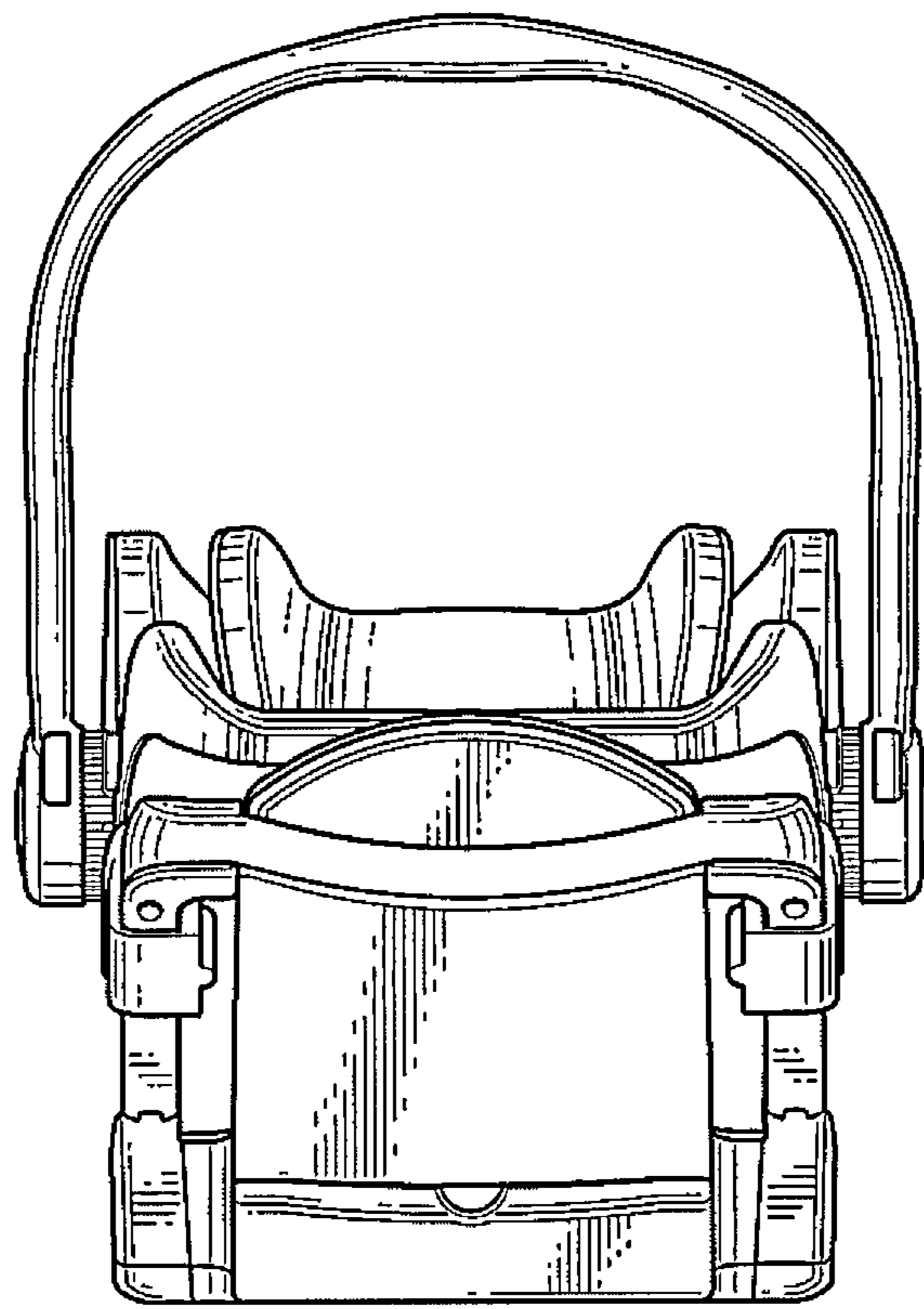


FIG. 2

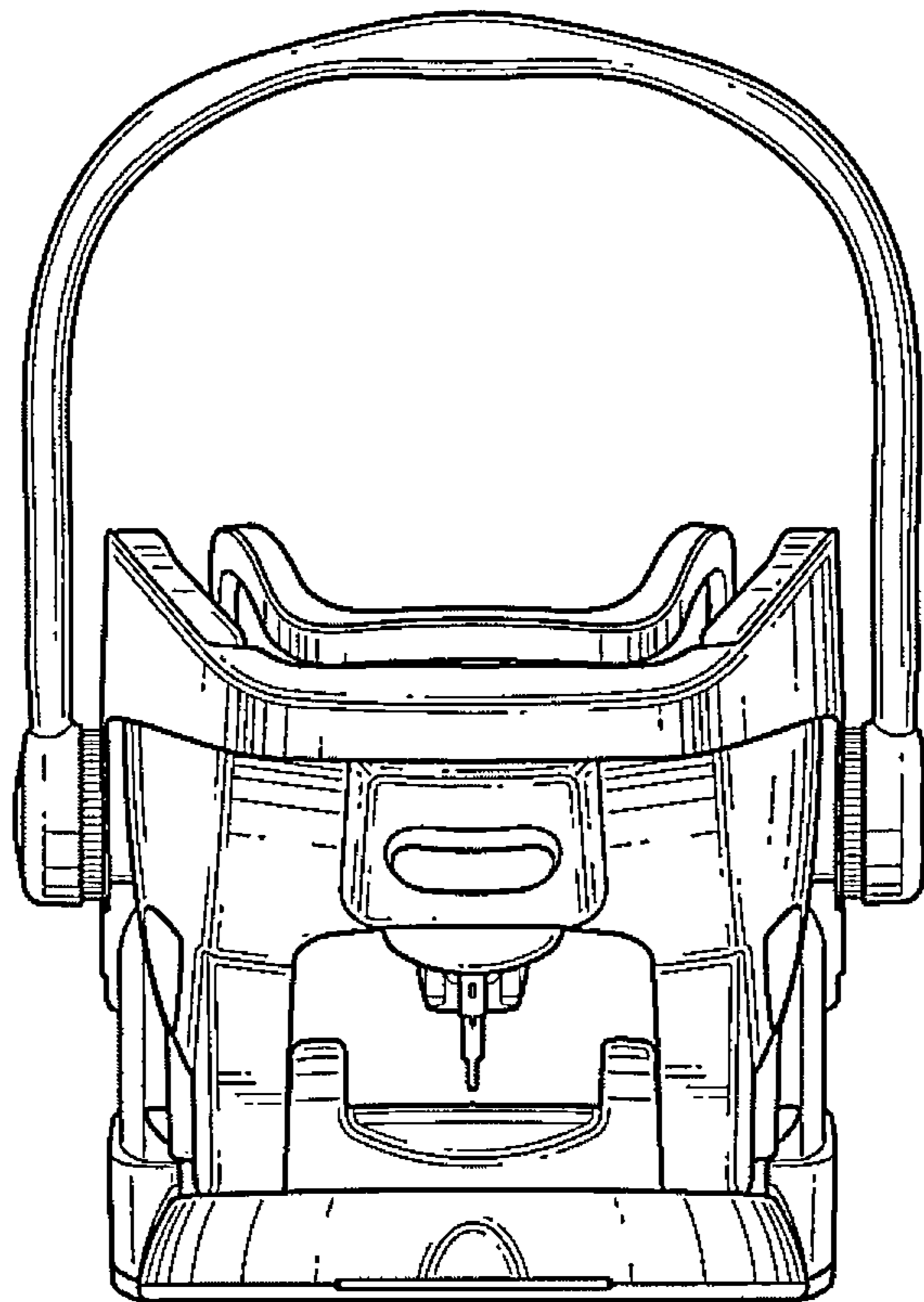


FIG. 3

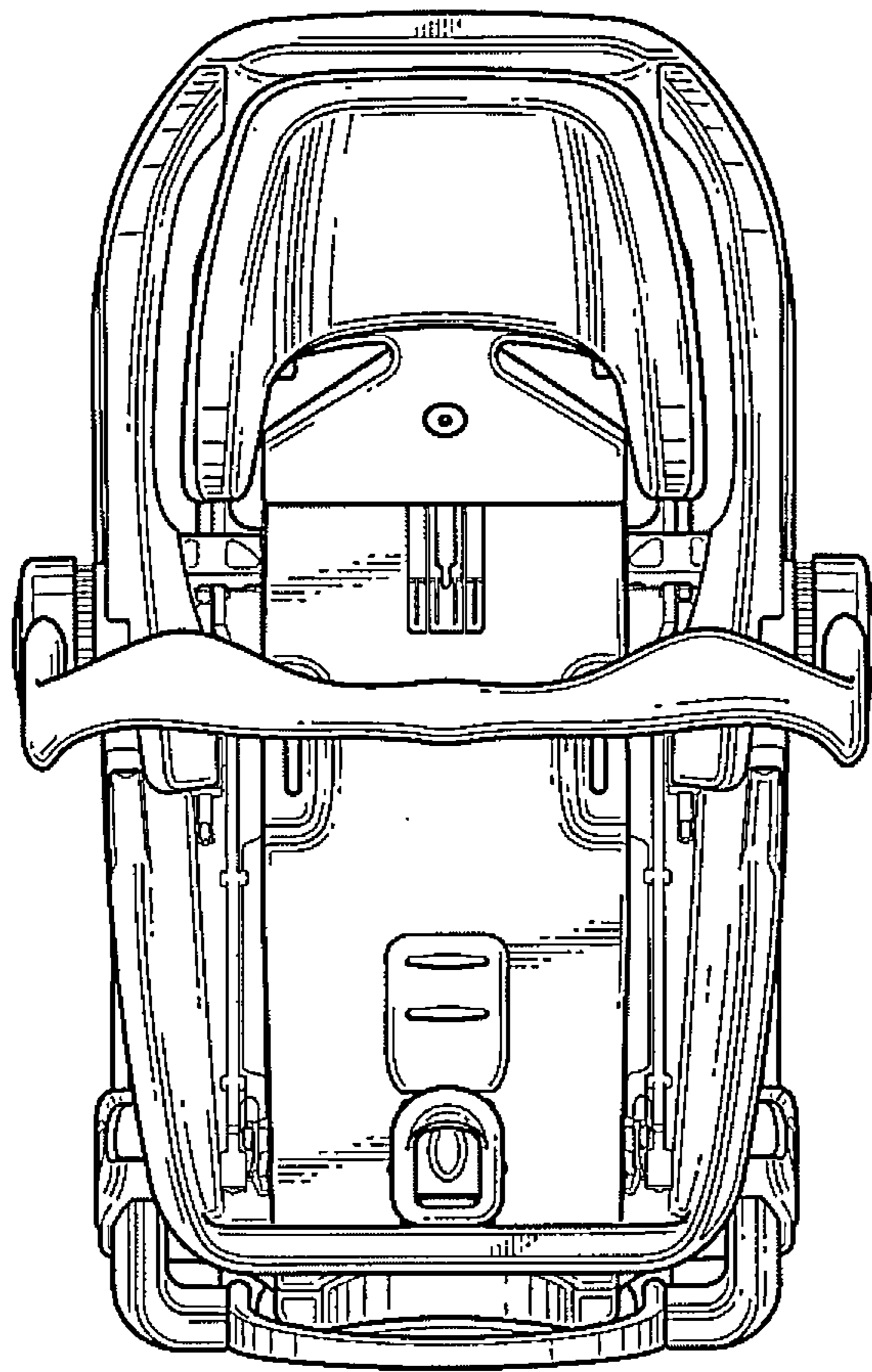


FIG. 4

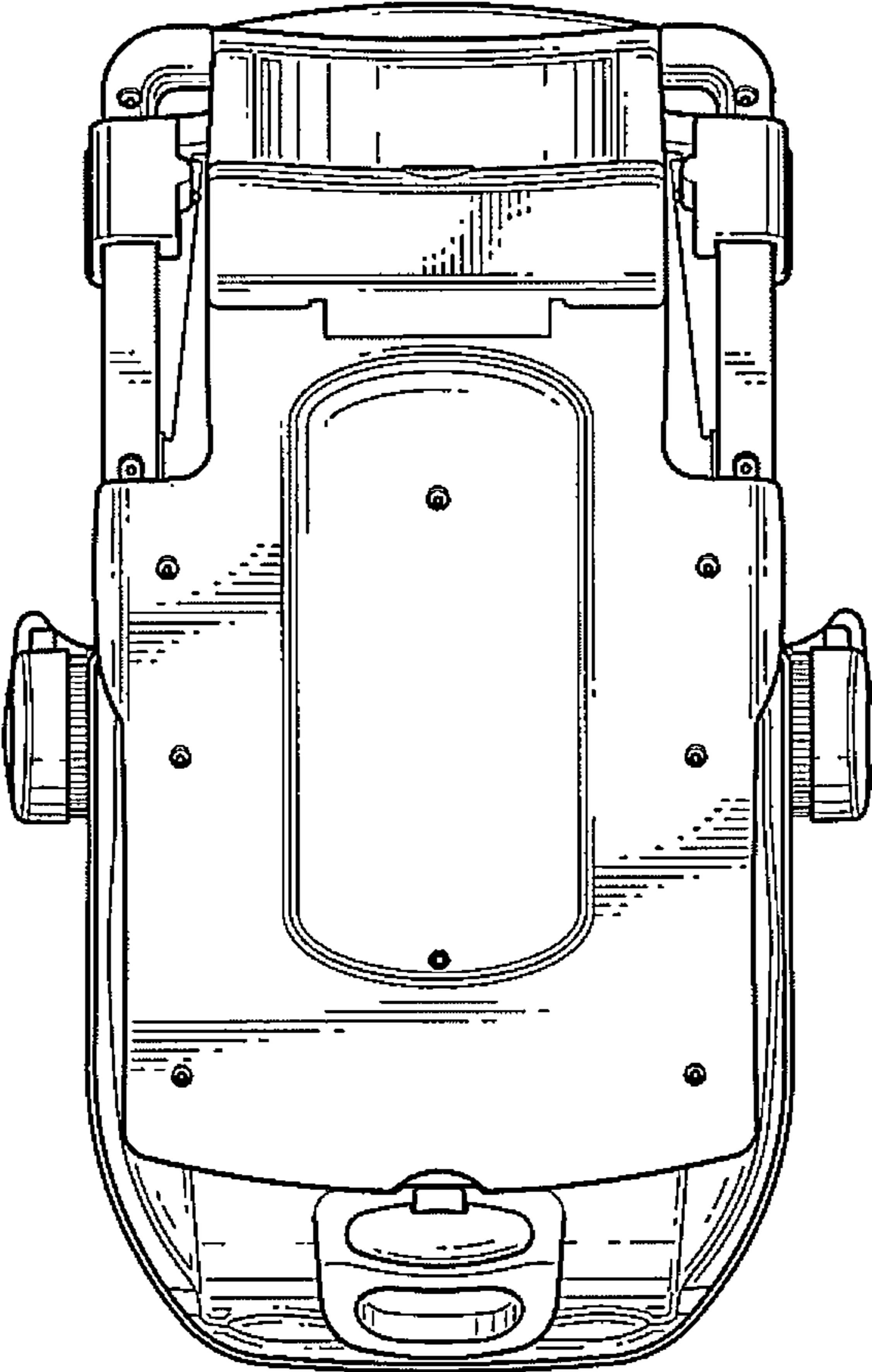


FIG. 5

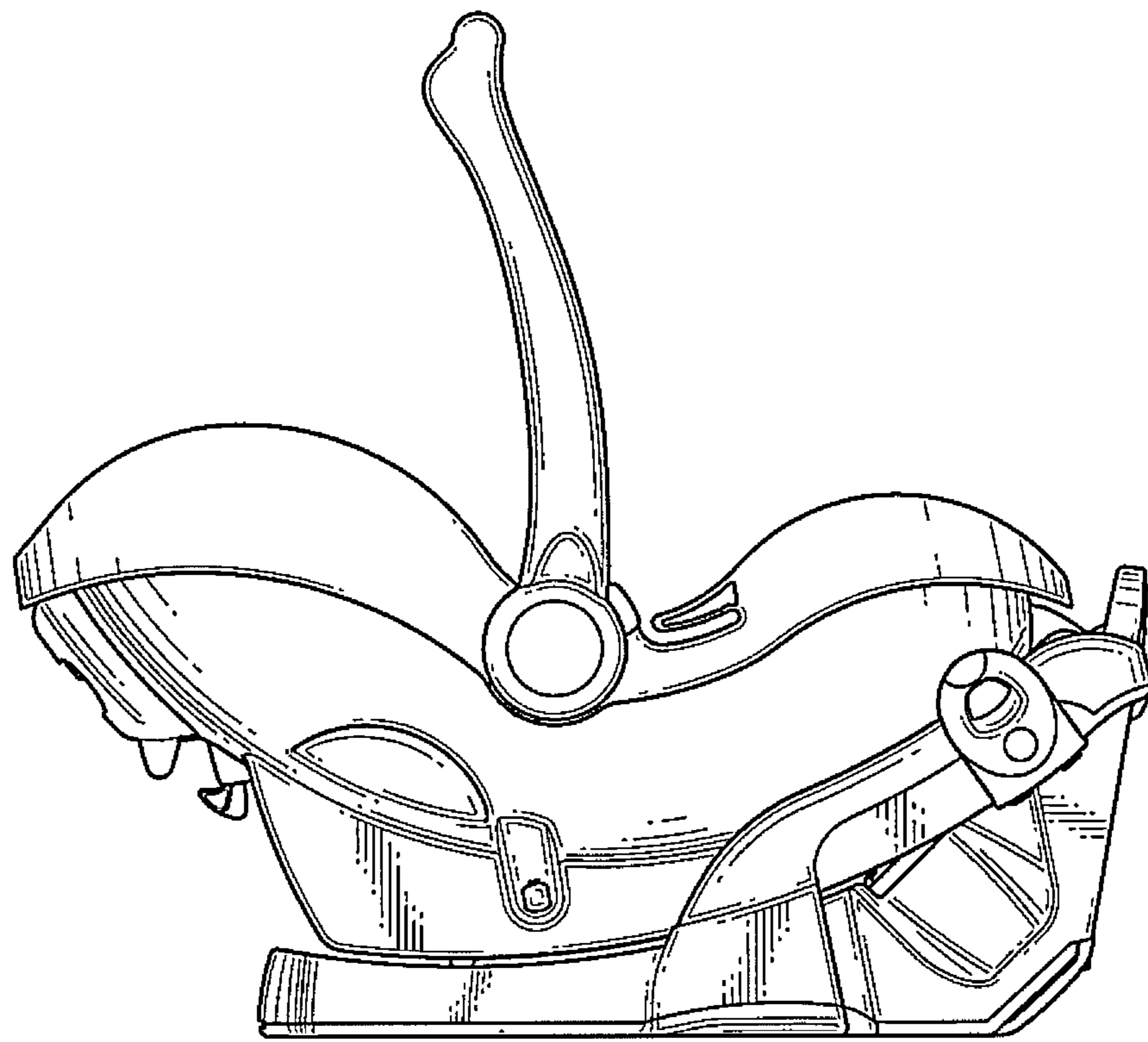


FIG. 6

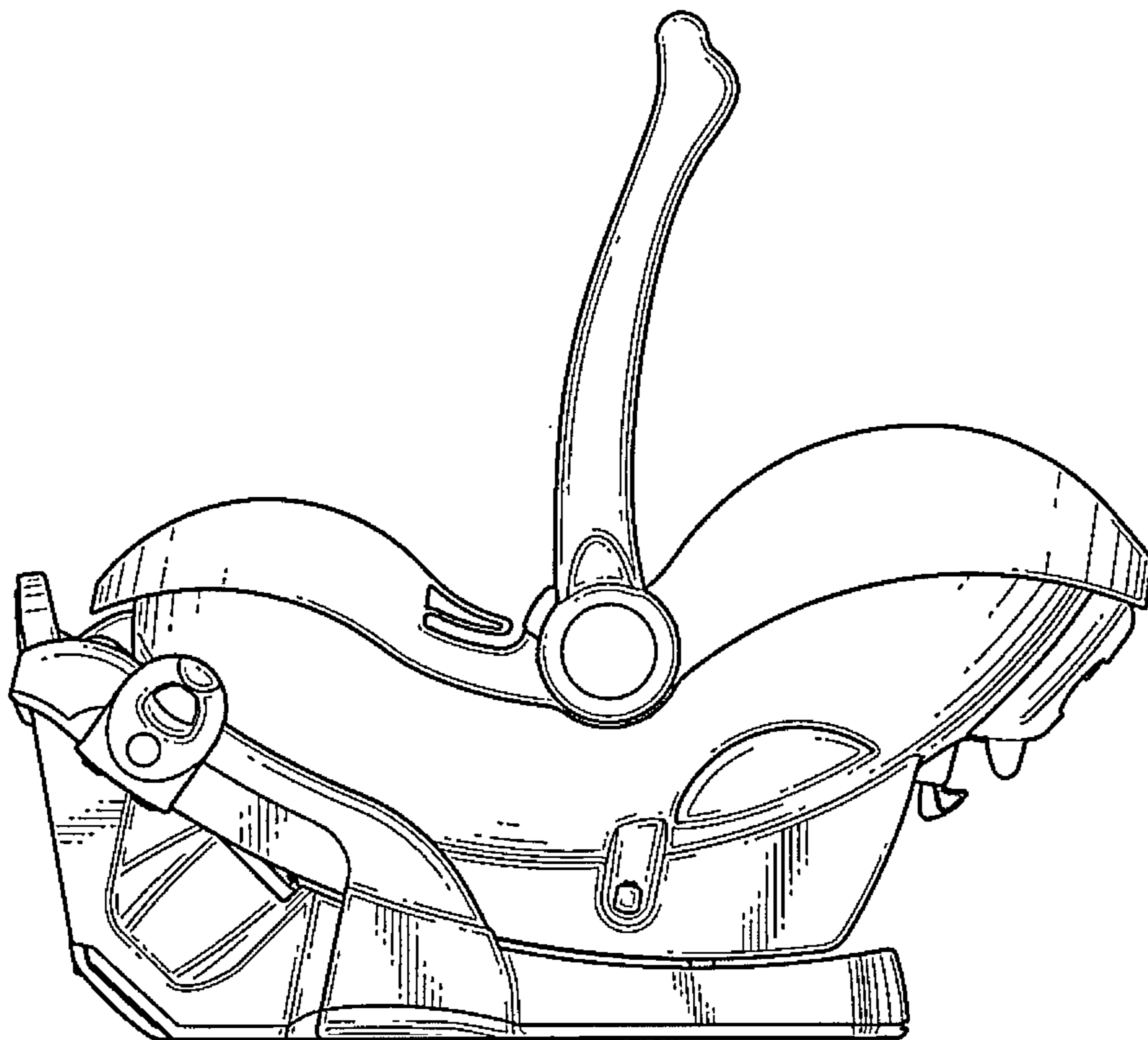


FIG. 7

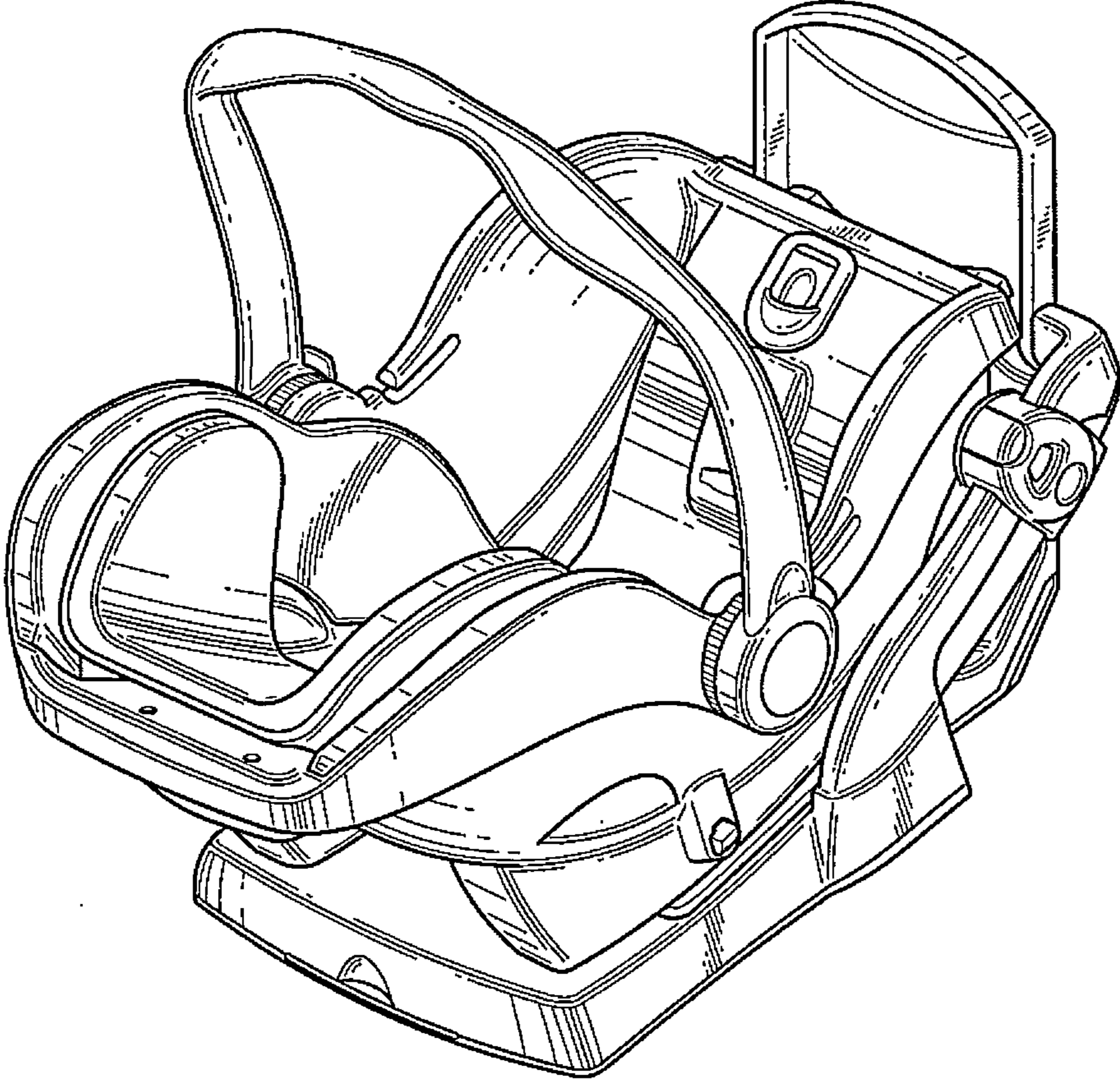


FIG. 8

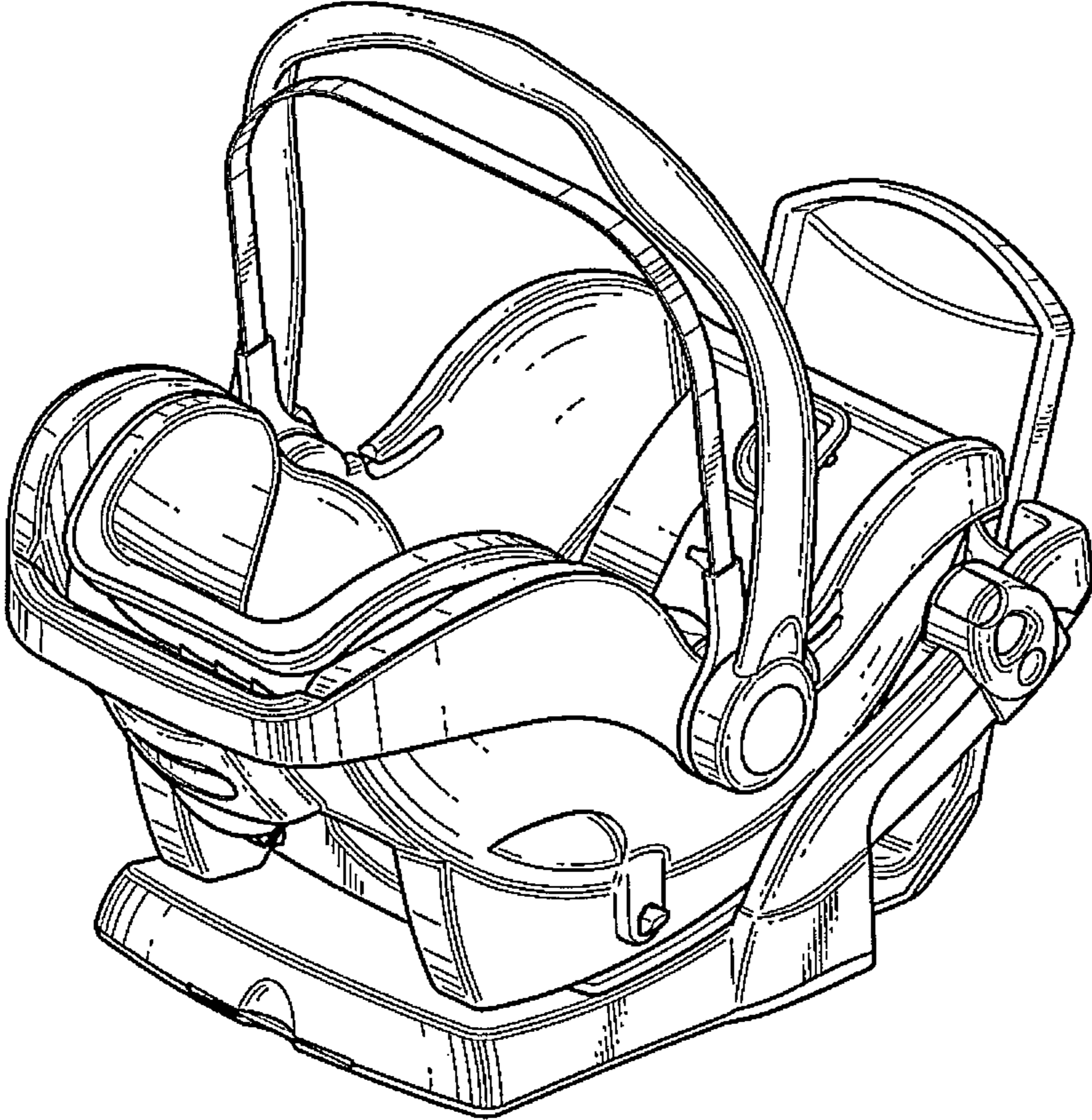


FIG. 9

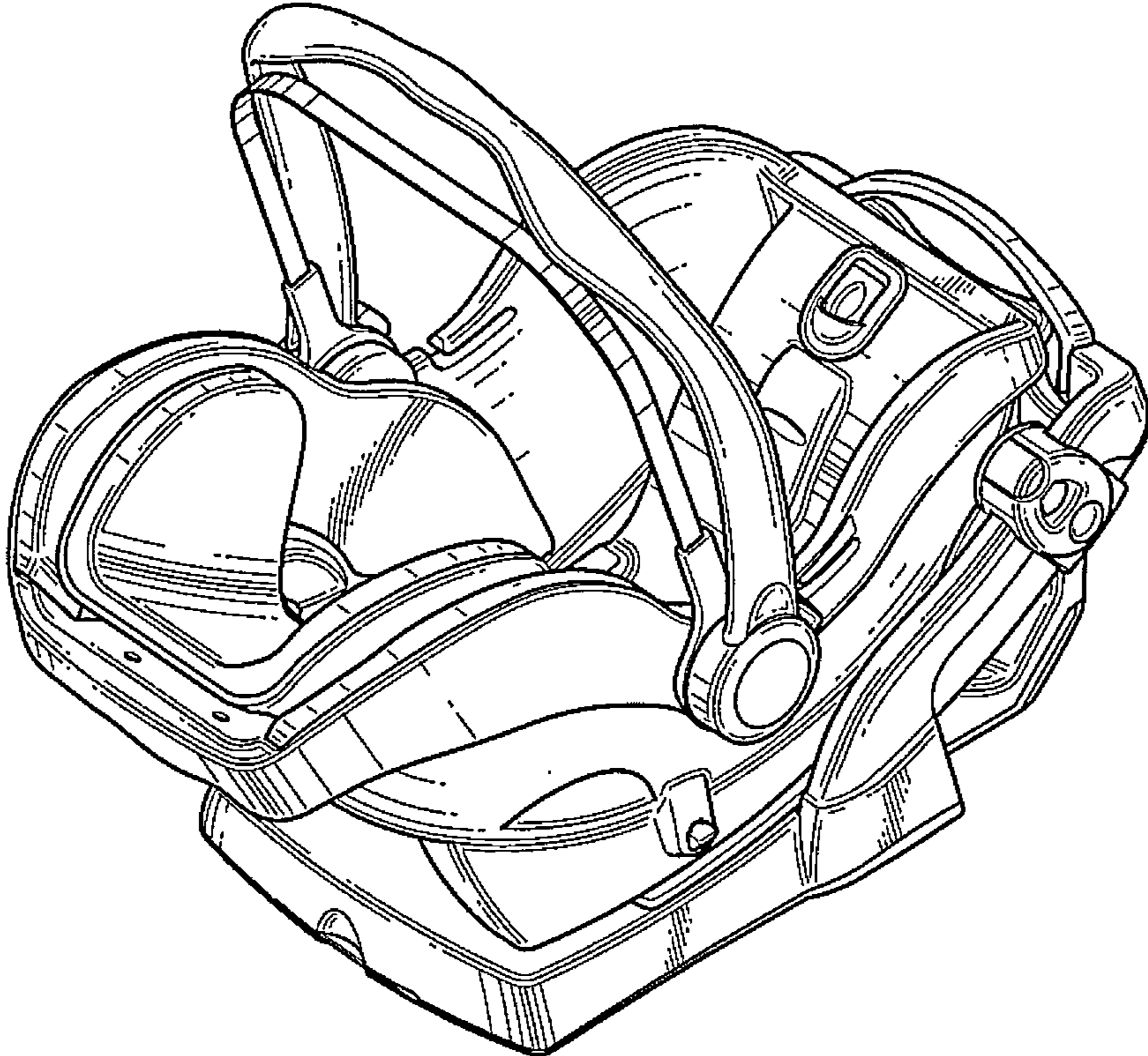


FIG. 10