



US00D697317S

(12) **United States Design Patent**
Schouten et al.

(10) **Patent No.:** **US D697,317 S**
(45) **Date of Patent:** **** Jan. 14, 2014**

(54) **AUTOMOTIVE CLEANING BRUSH**

(71) Applicant: **Hopkins Manufacturing Corporation**,
Emporia, KS (US)

(72) Inventors: **Pieter Schouten**, Berkeley, CA (US);
Marcus Gooden, LomaLinda, CA (US)

(73) Assignee: **Hopkins Manufacturing Corporation**,
Emporia, KS (US)

(**) Term: **14 Years**

(21) Appl. No.: **29/453,091**

(22) Filed: **Apr. 25, 2013**

(51) **LOC (10) Cl.** **04-01**

(52) **U.S. Cl.**
USPC **D4/138**; D4/130

(58) **Field of Classification Search**
USPC D4/129, 130, 132-138, 199; 15/143.1,
15/146, 159.1, 160, 167.3, 171, 186-188,
15/229.13, 244.1; D28/63; D30/158, 159;
119/600, 611-616, 625, 633; D8/45,
D8/90, 94; D32/40, 52

See application file for complete search history.

(56) **References Cited**

U.S. PATENT DOCUMENTS

1,569,259	A *	1/1926	Burlock	401/22
D501,085	S *	1/2005	Hay	D4/130
D562,006	S *	2/2008	Liu	D4/130
D562,011	S *	2/2008	Meyer	D4/199
D602,697	S *	10/2009	Chitayat et al.	D4/130

OTHER PUBLICATIONS

Hardware World, © 2012 [online], 13-1902 Heavy Duty Scrub Brush by Hardware House Brand [retrieved on Aug. 17, 2013] Retrieved from the Internet: <URL: <http://www.hardwareworld.com>>.*

Hardware World, © 2012 [online], Comfi-Grip Handy Scrub by Harper Brush Works [retrieved on Aug. 17, 2013] Retrieved from the Internet: <URL: <http://www.hardwareworld.com>>.*

WO D028247-002 Registered Design, (Billat S.A.) Feb. 28, 1994, [online], [retrieved on Aug. 15, 2013] Retrieved from the Questel Intellectual Property Portal Design Database using the Internet: <URL: <http://www.orbit.com>>.*

* cited by examiner

Primary Examiner — Melanie H Tung

Assistant Examiner — Lavone D Tabor

(74) *Attorney, Agent, or Firm* — George R. McGuire; Bond Schoeneck & King, PLLC

(57) **CLAIM**

The ornamental design for an automotive cleaning brush, as shown and described.

DESCRIPTION

FIG. 1 is a perspective view of an automotive cleaning brush showing our new design, the bristles being shown in broken lines to illustrate portions of the brush that form no part of the claimed design;

FIG. 2 is a front elevation view thereof;

FIG. 3 is a rear elevation view thereof;

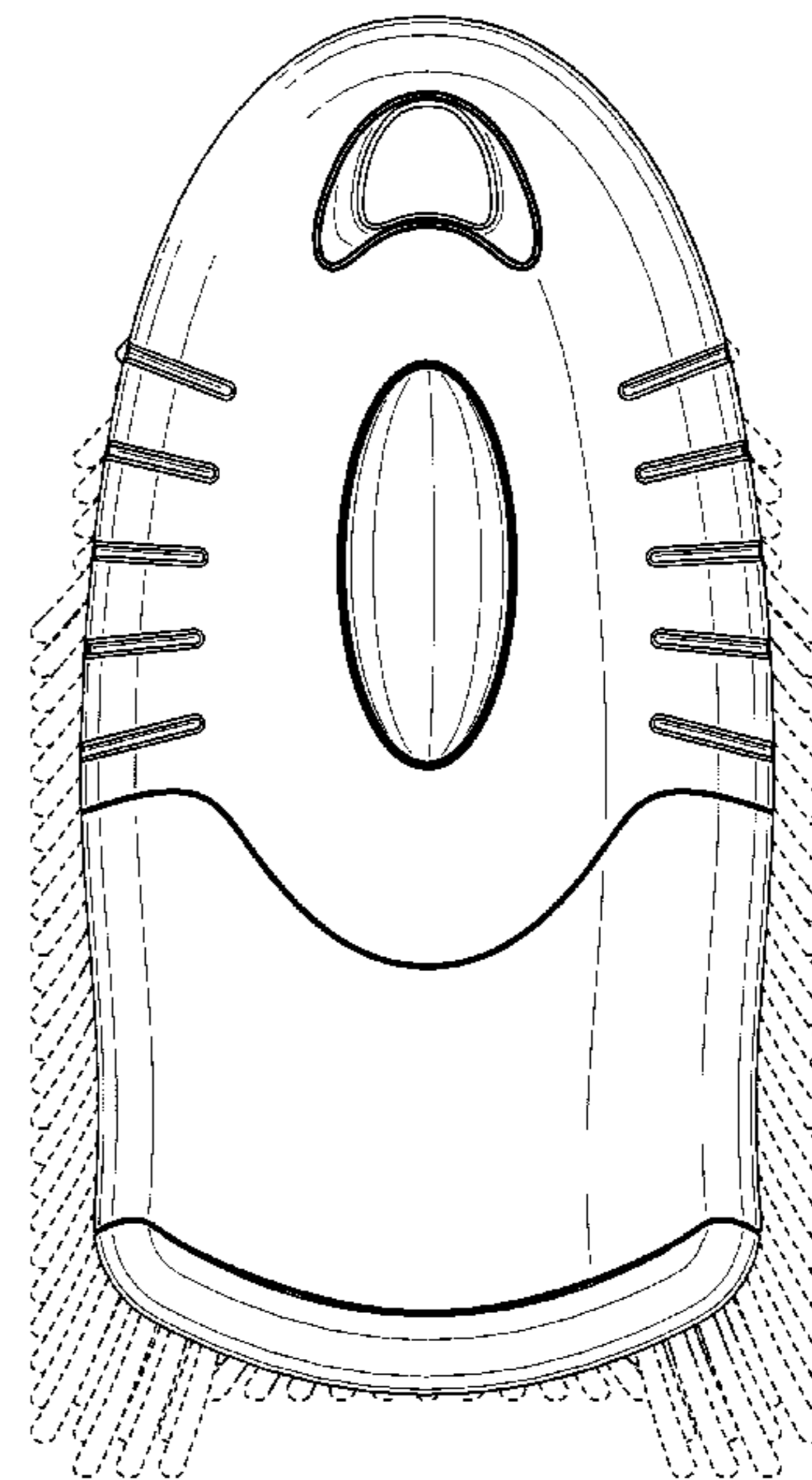
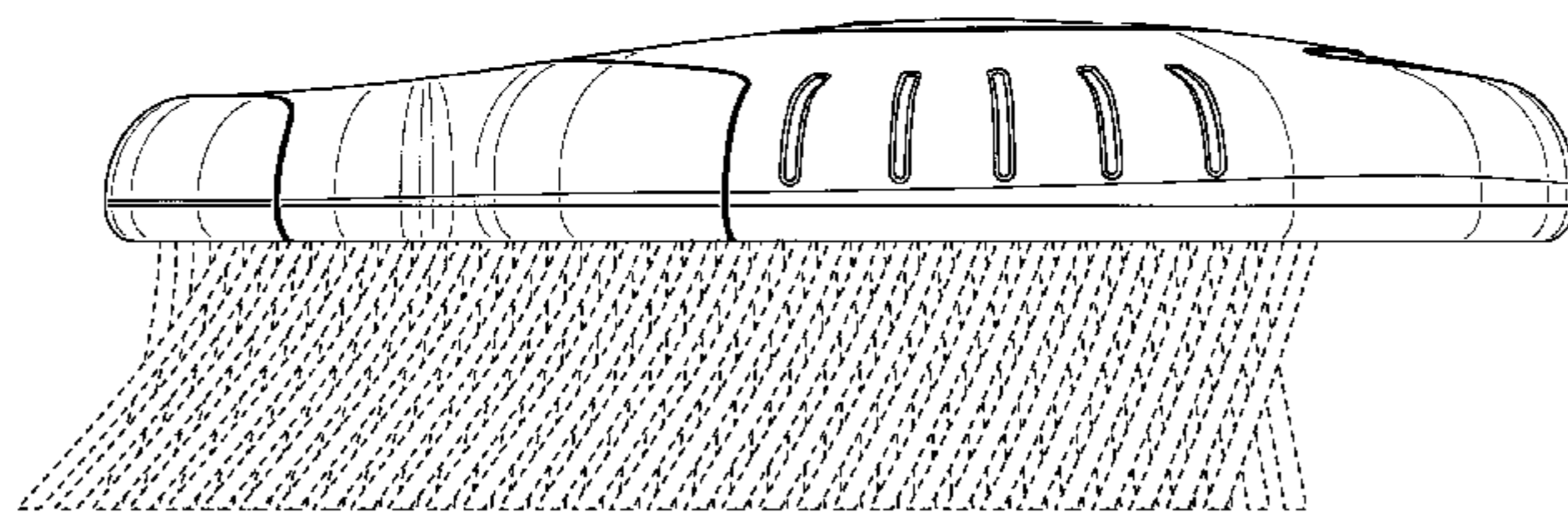
FIG. 4 is a first side elevation view thereof;

FIG. 5 is a second side elevation view thereof;

FIG. 6 is a top plan view thereof; and,

FIG. 7 is a bottom plan view thereof.

1 Claim, 7 Drawing Sheets



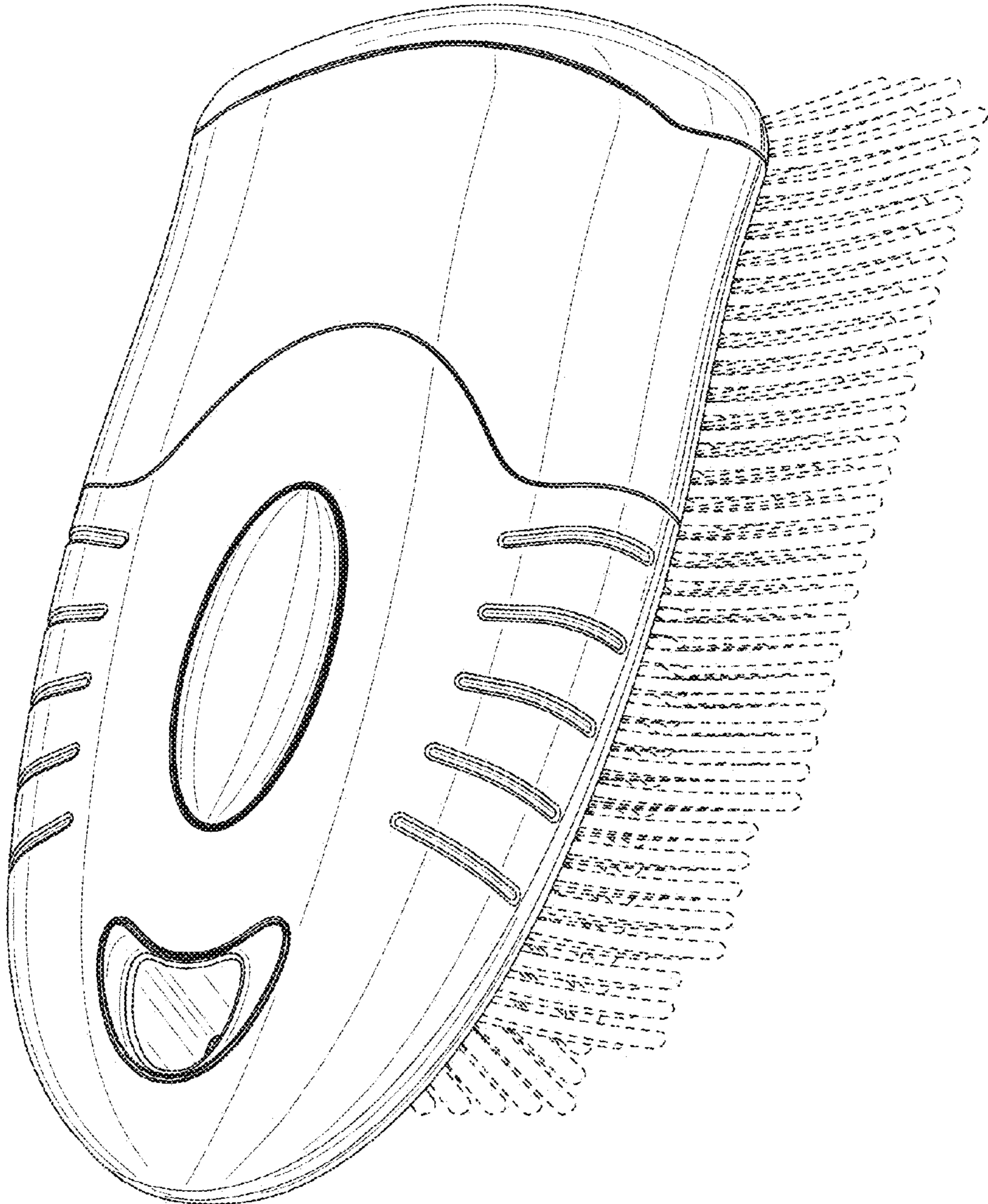


FIG. 1

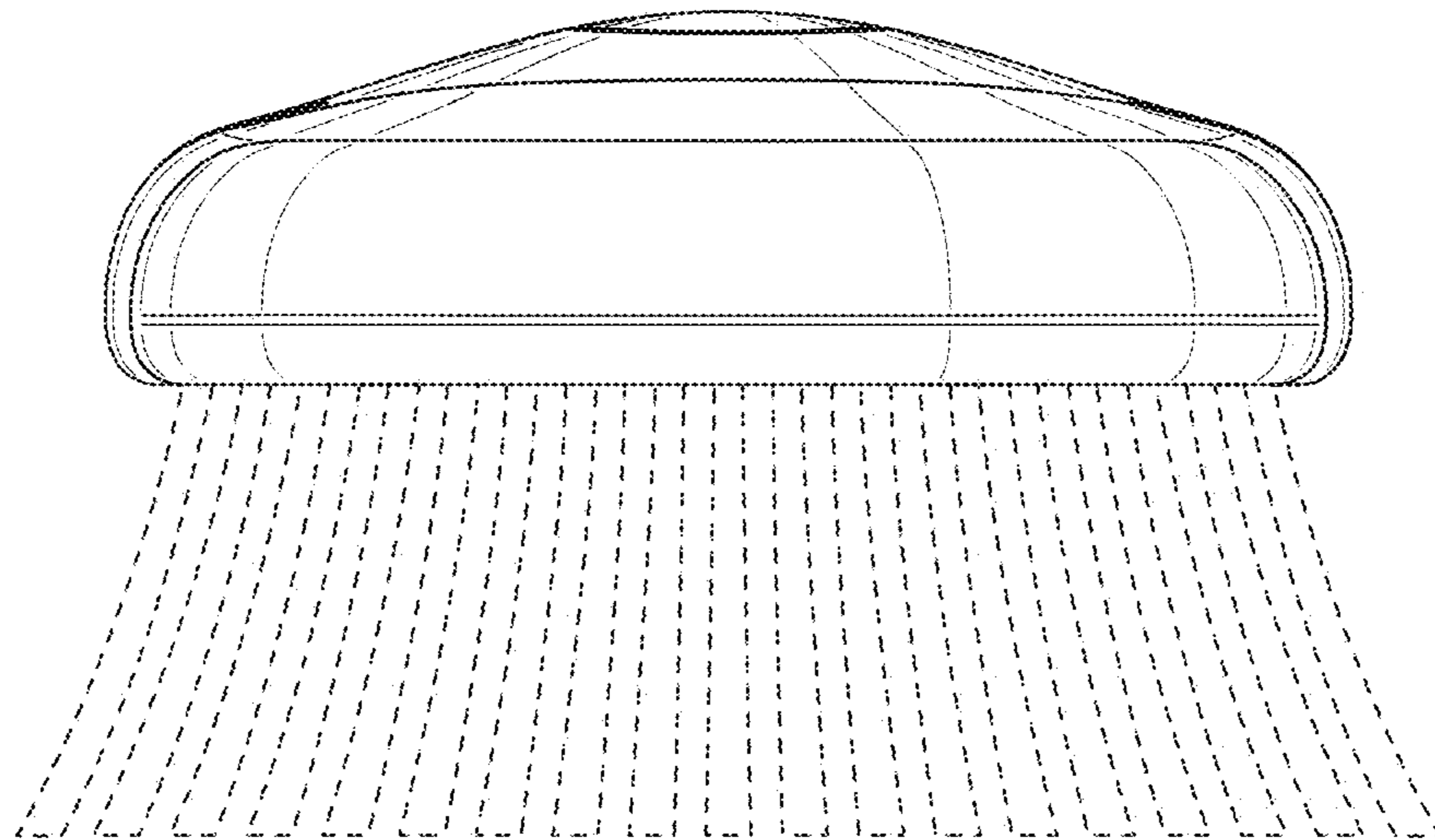


FIG. 2

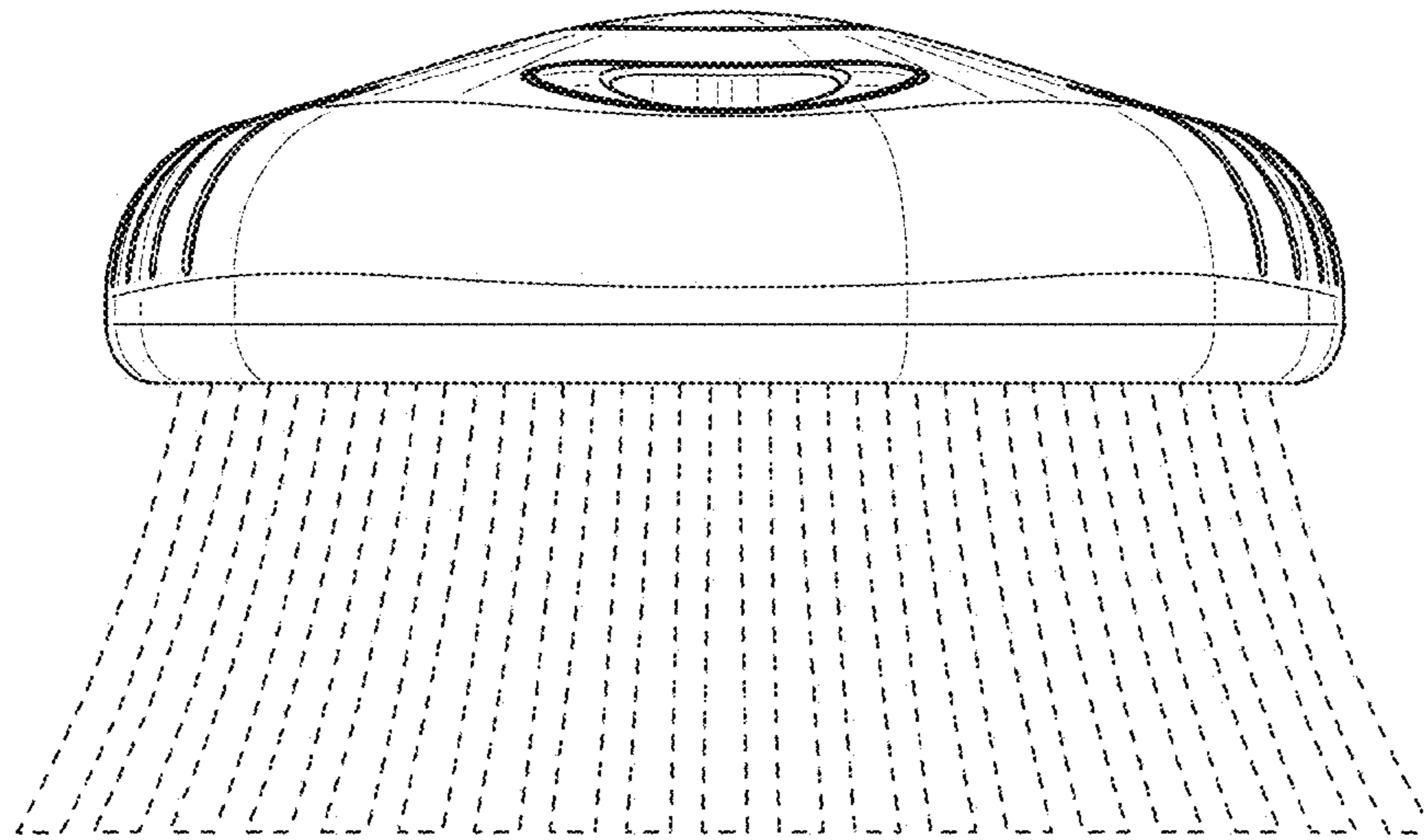


FIG. 3

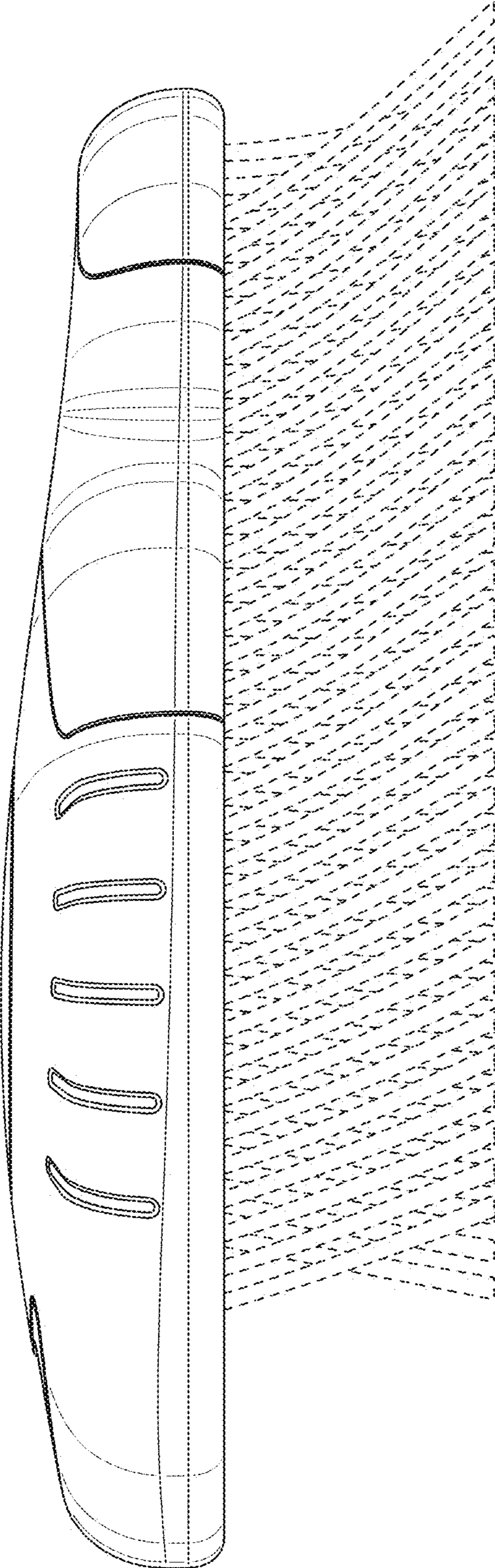


FIG. 4

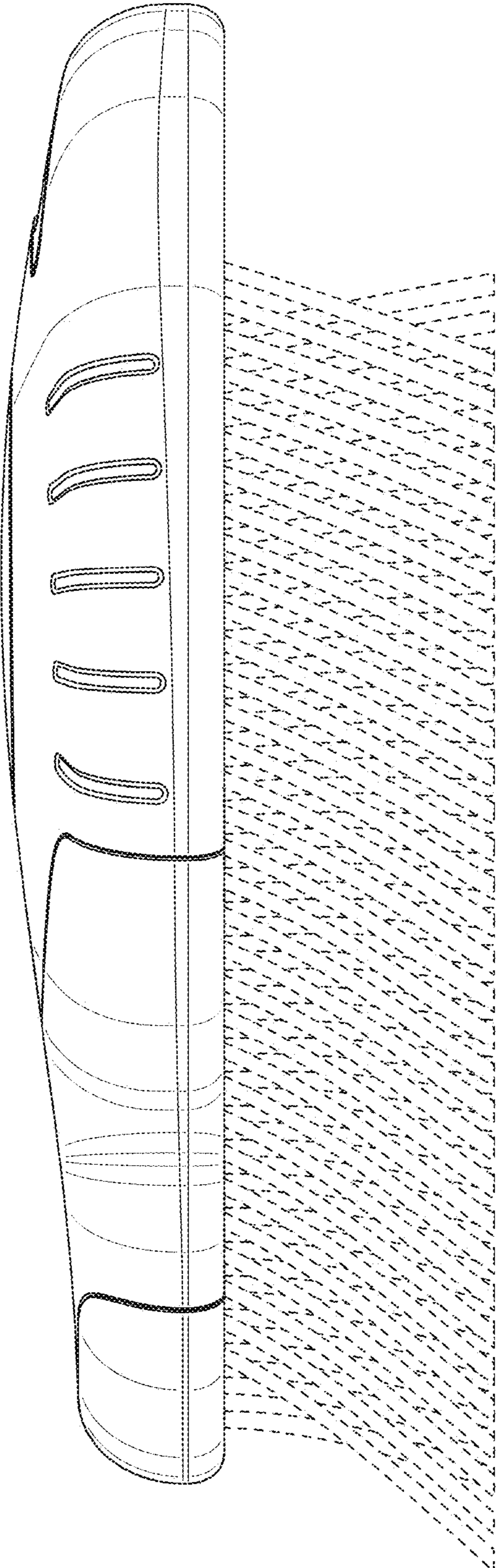


FIG. 5

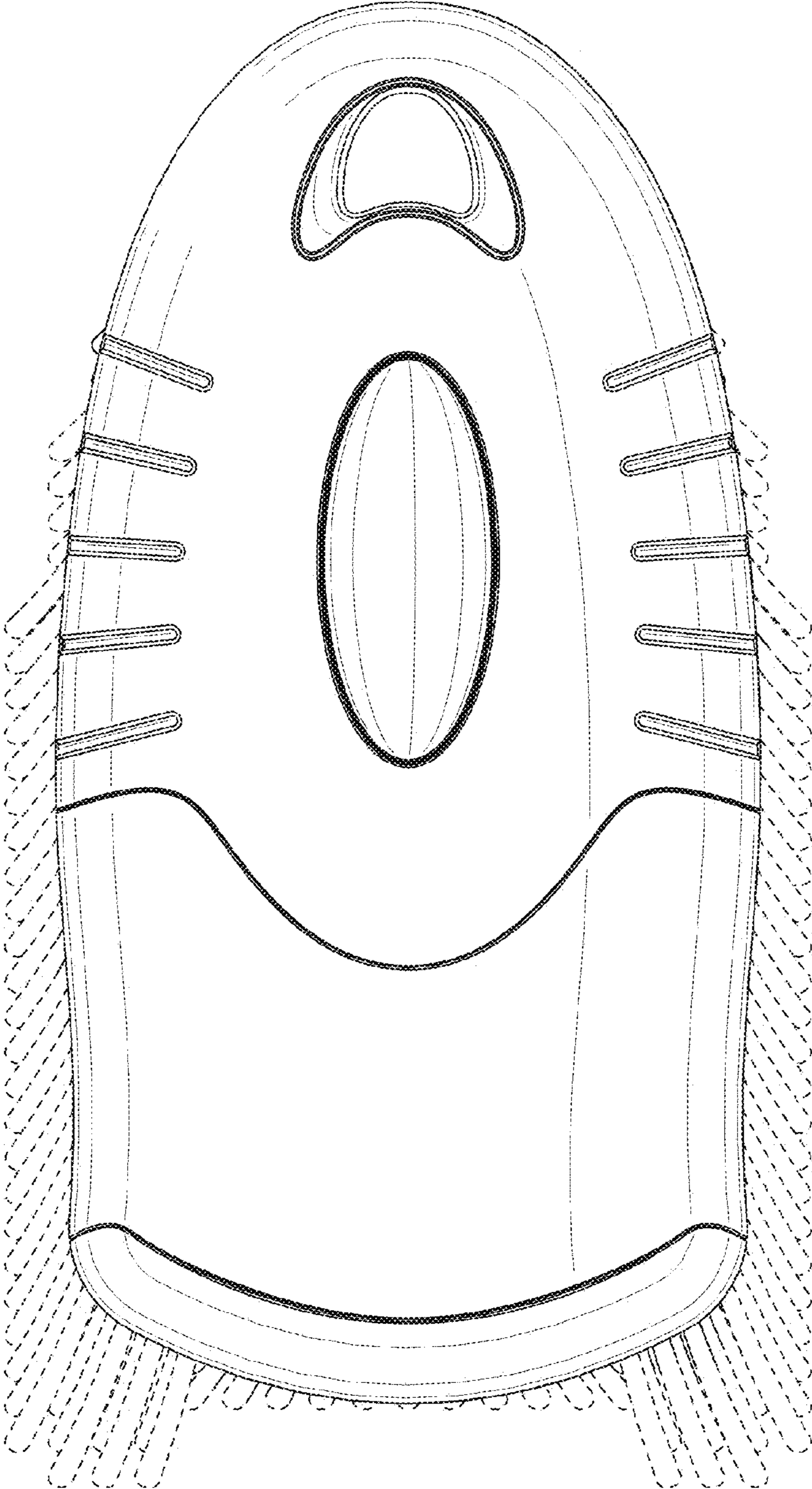


FIG. 6

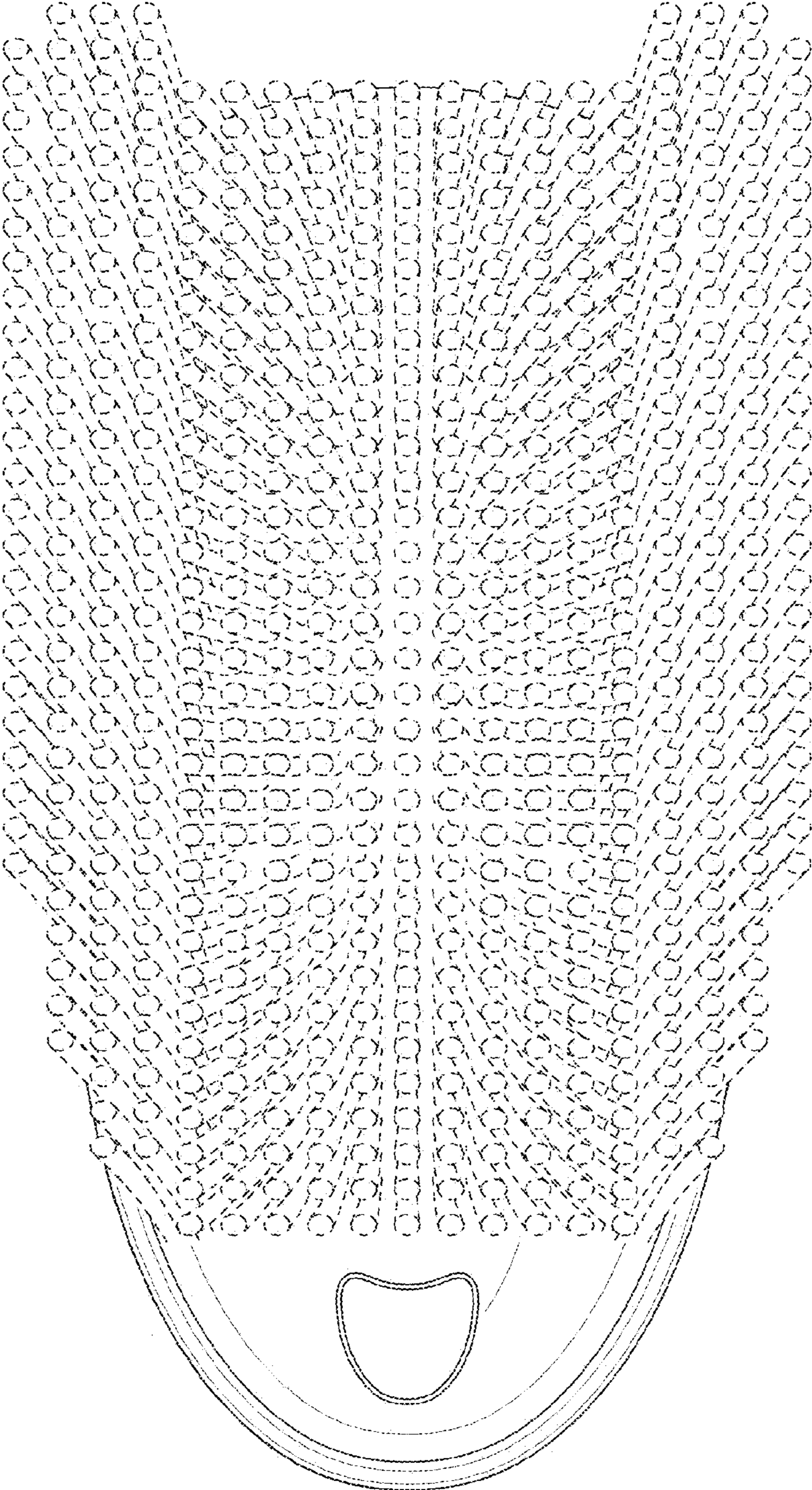


FIG. 7