



US00D697315S

(12) **United States Design Patent**  
**Schouten et al.**

(10) **Patent No.:** **US D697,315 S**  
(45) **Date of Patent:** **\*\* Jan. 14, 2014**

(54) **AUTOMOTIVE CLEANING BRUSH**

(71) Applicant: **Hopkins Manufacturing Corporation**,  
Emporia, KS (US)

(72) Inventors: **Pieter Schouten**, Berkeley, CA (US);  
**Marcus Gooden**, LomaLinda, CA (US)

(73) Assignee: **Hopkins Manufacturing Corporation**,  
Emporia, KS (US)

(\*\*) Term: **14 Years**

(21) Appl. No.: **29/452,790**

(22) Filed: **Apr. 22, 2013**

(51) **LOC (10) Cl.** ..... **04-01**

(52) **U.S. Cl.**  
USPC ..... **D4/138; D4/134**

(58) **Field of Classification Search**  
USPC ..... D4/131-138; D7/393, 395, 401.2;  
D8/82, 83, 107, 300, 303; 15/106,  
15/143.1, 159.1, 160, 186-188, 206;  
16/430, DIG. 12, DIG. 19; 81/489, 492;  
D28/28, 30, 63; D30/158, 159;  
119/600, 611-616, 625, 633; 132/120,  
132/137, 142, 313

See application file for complete search history.

(56) **References Cited**

**U.S. PATENT DOCUMENTS**

D167,951 S \* 10/1952 Porter ..... D4/134  
D199,176 S \* 9/1964 Seger ..... D4/134

D267,291 S \* 12/1982 Hopkins et al. .... D4/134  
D295,464 S \* 5/1988 Stephens ..... D4/134  
D492,120 S \* 6/2004 Hay et al. .... D4/132  
D504,572 S \* 5/2005 Kuo et al. .... D4/133  
D534,411 S \* 1/2007 Kuo ..... D8/107  
D555,363 S \* 11/2007 Arvinte ..... D4/134  
D564,853 S \* 3/2008 Chen ..... D8/107  
D616,277 S \* 5/2010 Molina et al. .... D8/82

**FOREIGN PATENT DOCUMENTS**

KR 20-2010-0007766 U \* 8/2010 ..... B60S 1/68  
\* cited by examiner

*Primary Examiner* — Melanie H Tung  
*Assistant Examiner* — Lavone D Tabor

(74) *Attorney, Agent, or Firm* — George R. McGuire; Bond  
Schoeneck & King, PLLC

(57) **CLAIM**

The ornamental design for an automotive cleaning brush, as  
shown and described.

**DESCRIPTION**

FIG. 1 is a perspective view of an automotive cleaning brush  
showing our new design, the bristles being shown in broken  
lines to illustrate portions of the brush that form no part of the  
claimed design;

FIG. 2 is a top plan view thereof;

FIG. 3 is a bottom plan view thereof;

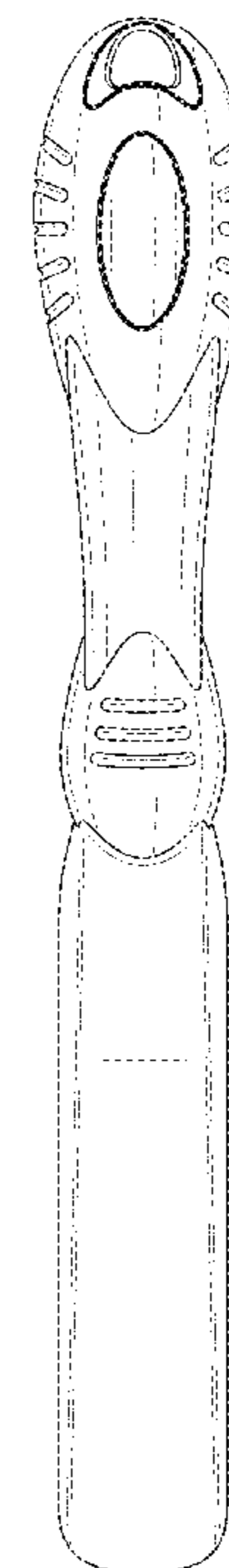
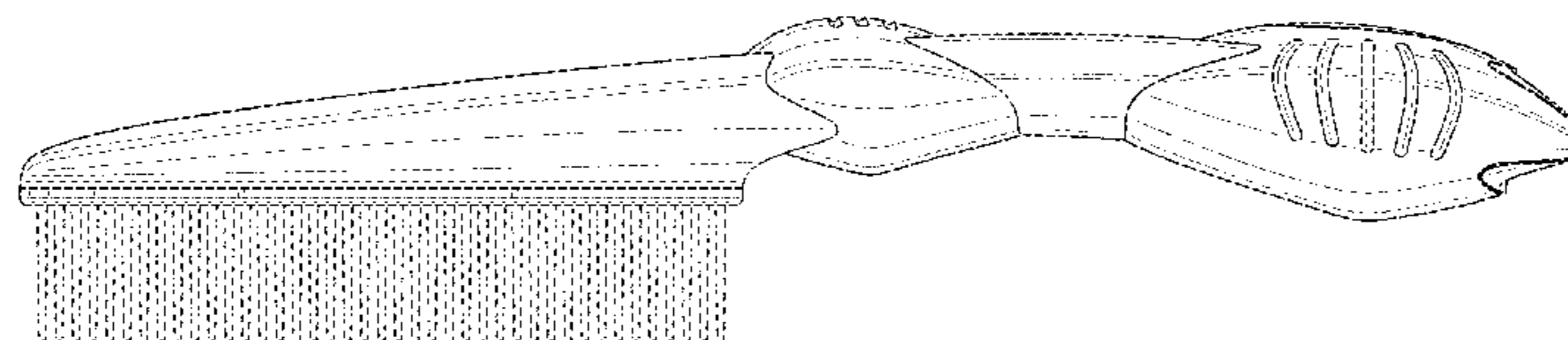
FIG. 4 is a first side elevation view thereof;

FIG. 5 is a second side elevation view thereof;

FIG. 6 is a front elevation view thereof; and,

FIG. 7 is a rear elevation view thereof.

**1 Claim, 7 Drawing Sheets**



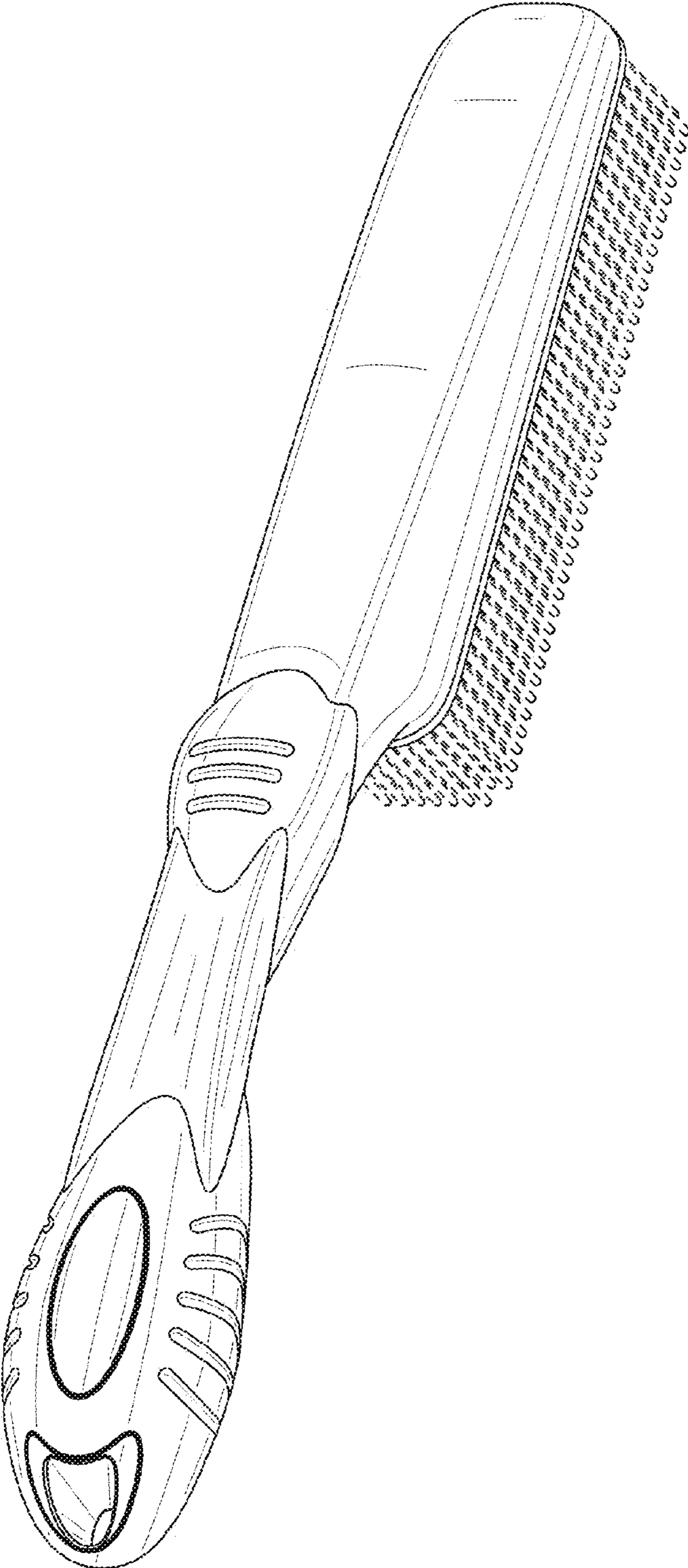


FIG. 1

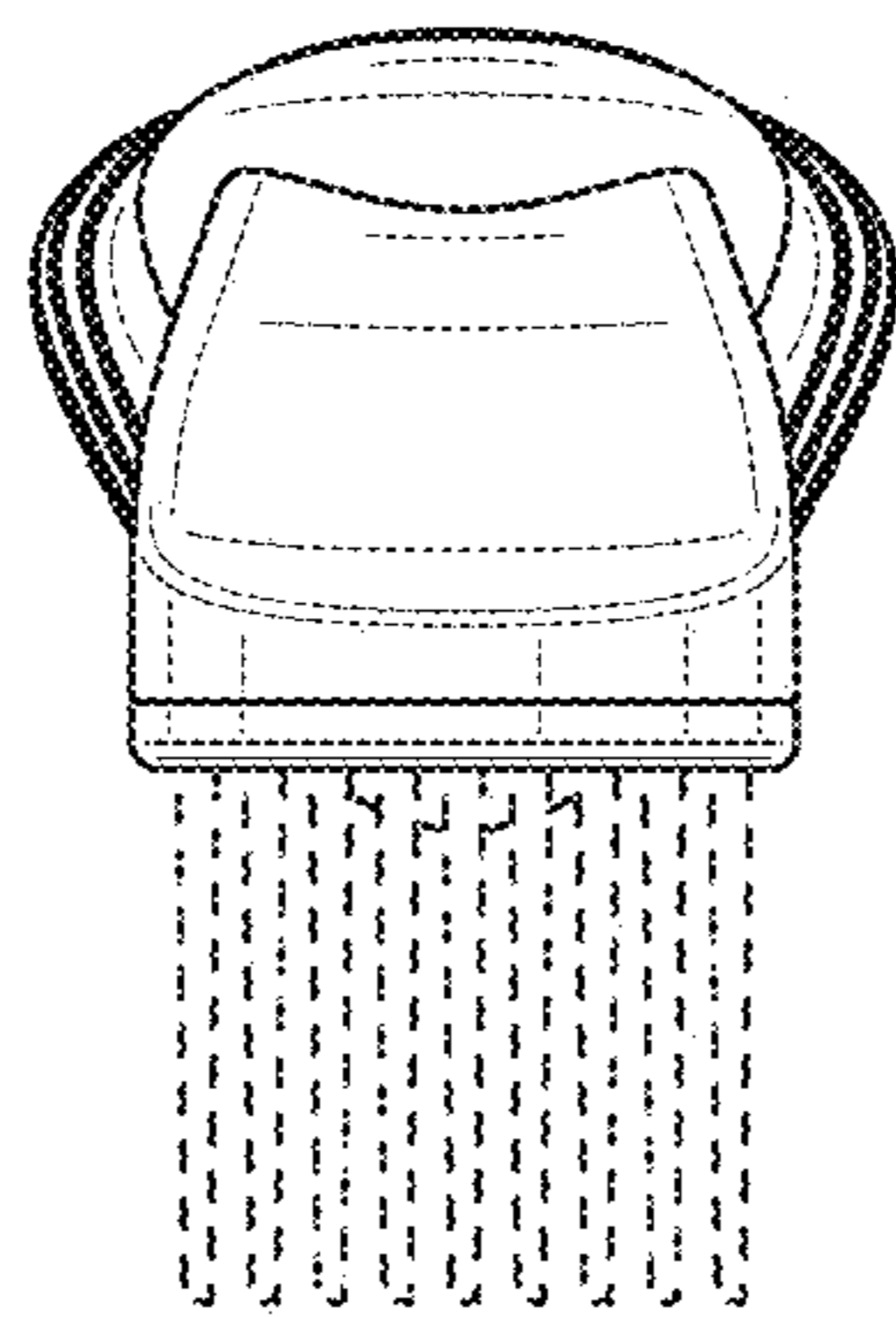


FIG. 2

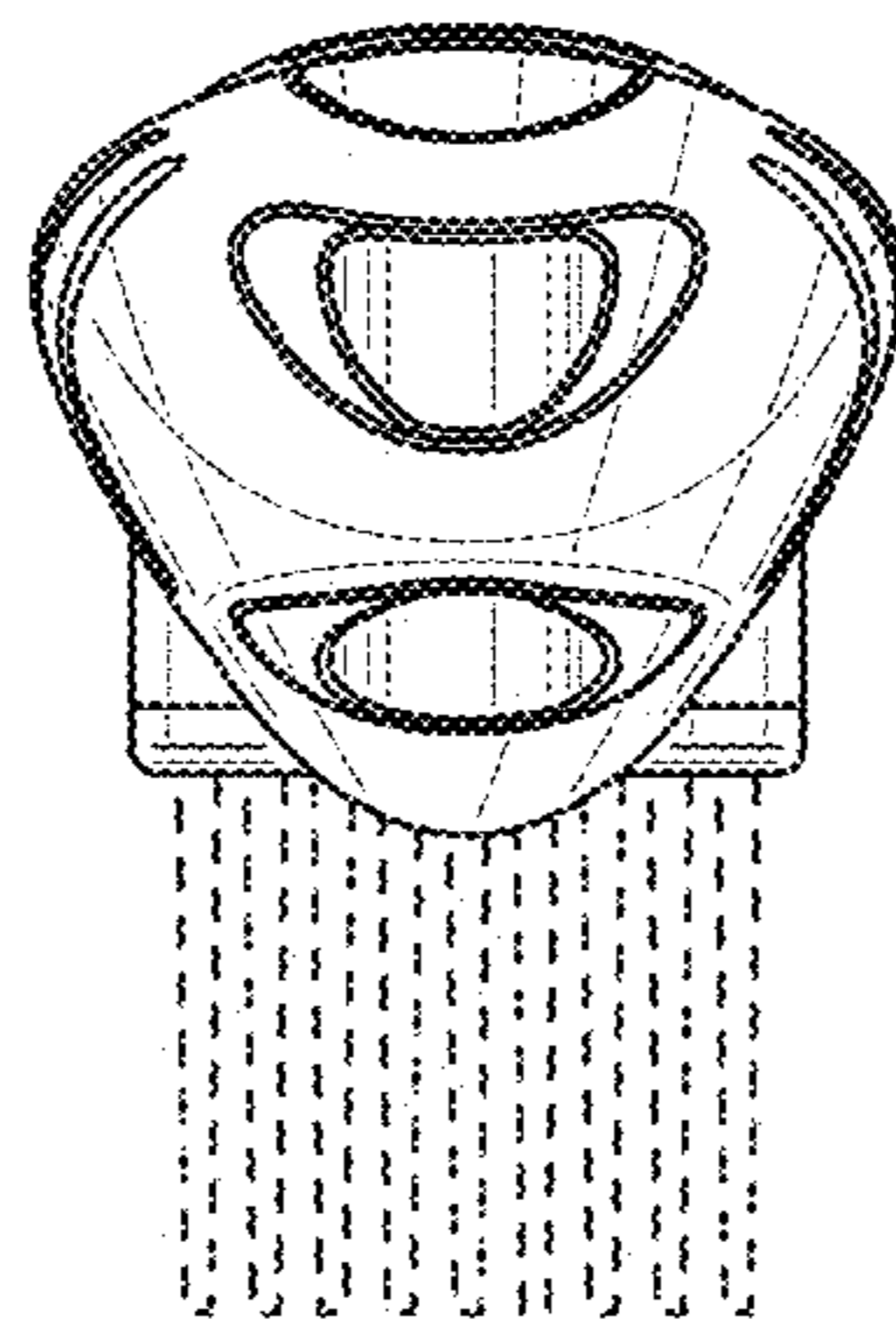


FIG. 3

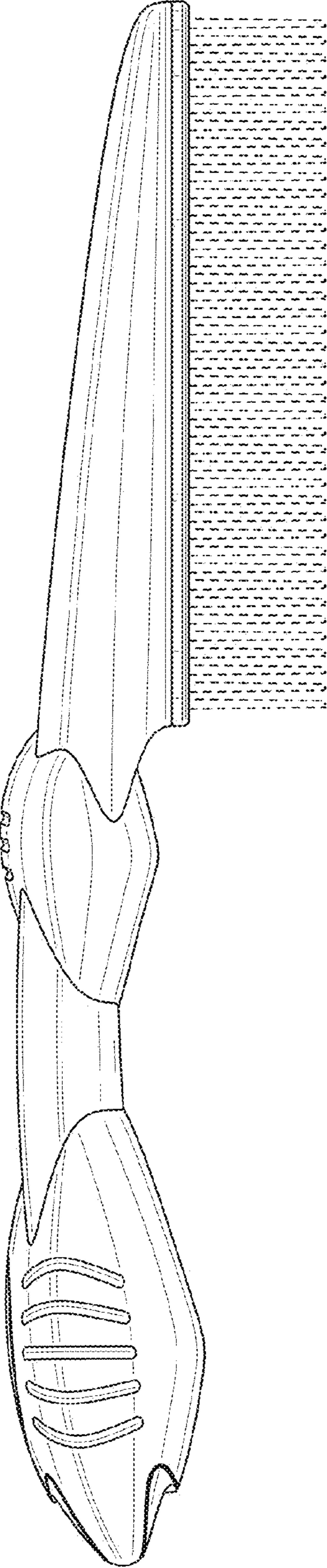


FIG. 4



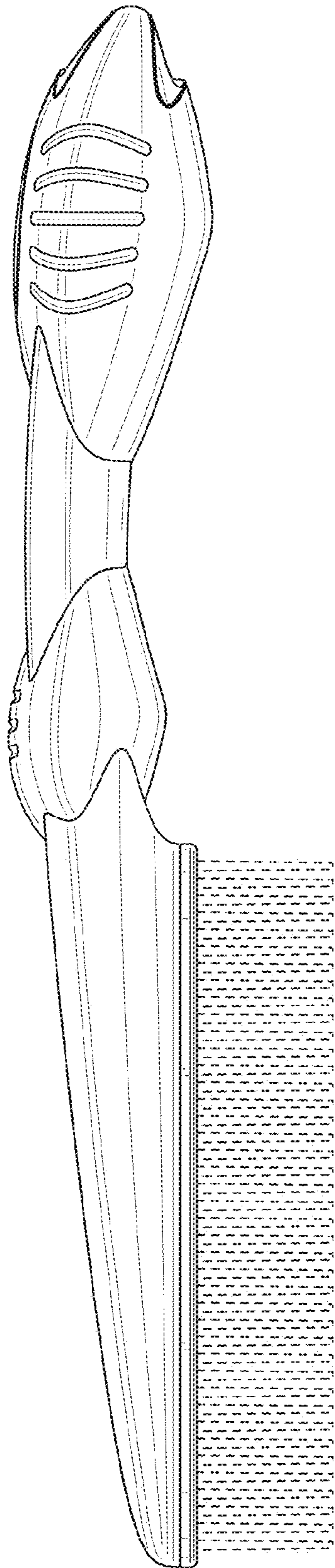


FIG. 5

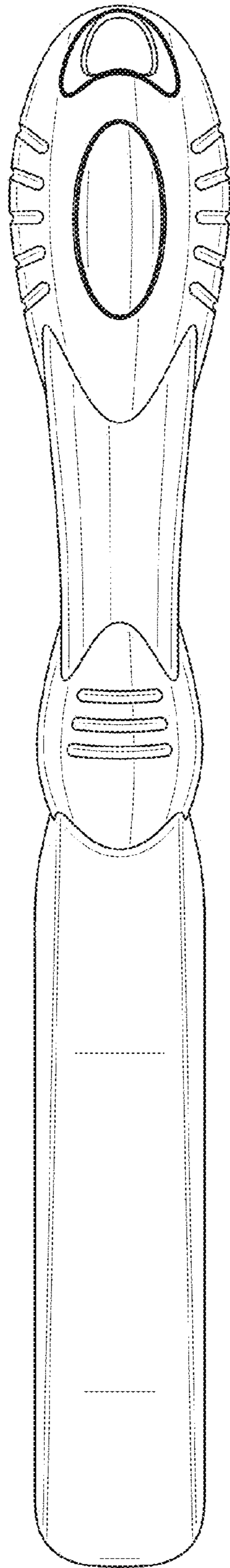


FIG. 6

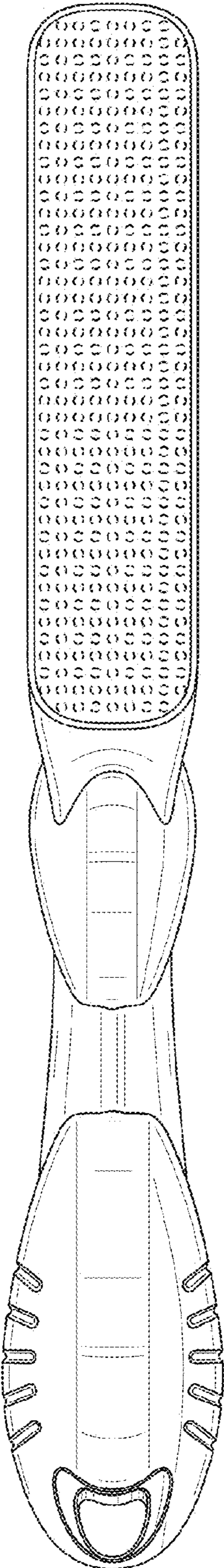


FIG. 7