



US00D697312S

(12) **United States Design Patent**
Yao et al.

(10) **Patent No.:** **US D697,312 S**
(45) **Date of Patent:** **** Jan. 14, 2014**

- (54) **LINT ROLLER COVER**
- (71) Applicant: **3M Innovative Properties Company**,
St. Paul, MN (US)
- (72) Inventors: **Rongxia Yao**, Shanghai (CN); **Liang Cheng**, Shanghai (CN); **Paul N. Daveloose**, St. Paul, MN (US); **Xinchun Tang**, Shanghai (CN)
- (73) Assignee: **3M Innovative Properties Company**,
St. Paul, MN (US)
- (**) Term: **14 Years**
- (21) Appl. No.: **29/460,480**
- (22) Filed: **Jul. 11, 2013**
- (51) **LOC (10) Cl.** **08-05**
- (52) **U.S. Cl.**
USPC **D4/122**
- (58) **Field of Classification Search**
USPC D4/122, 199; D6/317, 566; D8/370,
D8/373, 303, 107; 15/27, 230.11; 211/106,
211/106.01; 248/302; 492/13, 16, 17, 19;
16/422, 430, 431, 902, DIG. 12,
16/DIG. 18, DIG. 19
See application file for complete search history.

7,841,036	B2 *	11/2010	Smith	15/104.002
7,856,690	B2 *	12/2010	Tuman et al.	15/104.002
D635,776	S *	4/2011	Bellot	D4/199
D676,246	S *	2/2013	Gold et al.	D4/122
D681,341	S *	5/2013	Caligaris et al.	D4/122
D682,555	S *	5/2013	Refior et al.	D4/122
D683,545	S *	6/2013	Refior et al.	D4/122

FOREIGN PATENT DOCUMENTS

CN	301503869	4/2011
CN	301610407	7/2011
CN	301773979	12/2011

* cited by examiner

Primary Examiner — Austin Murphy

(74) *Attorney, Agent, or Firm* — Irina Hass

(57) **CLAIM**

The ornamental design for a lint roller cover, as shown and described.

DESCRIPTION

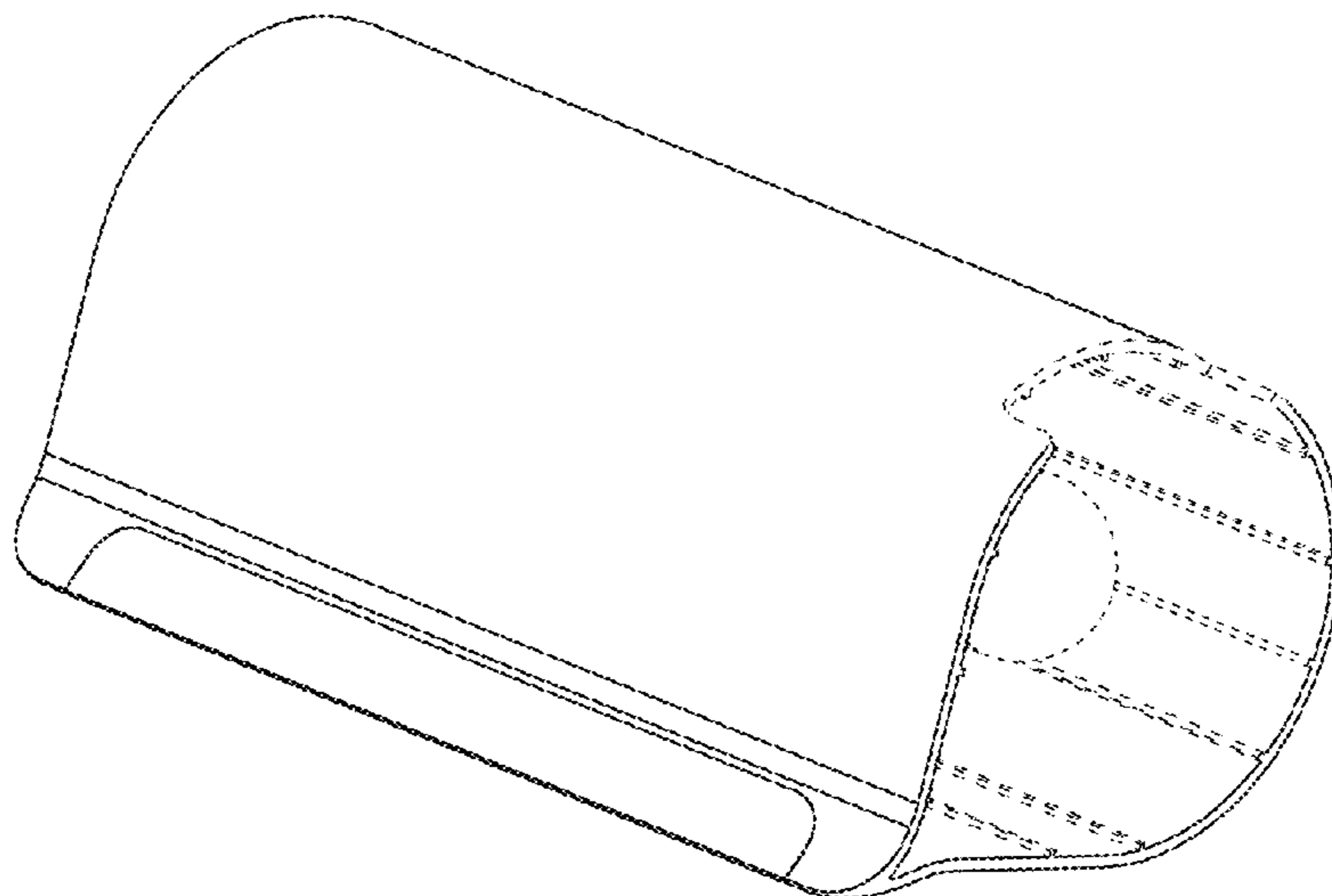
FIG. 1 is a perspective view showing the new design for a lint roller cover;
 FIG. 2 is a front view thereof;
 FIG. 3 is a rear view thereof;
 FIG. 4 is a top view thereof;
 FIG. 5 is a bottom view thereof;
 FIG. 6 is a left side view thereof;
 FIG. 7 is a right side view thereof; and,
 FIG. 8 is a perspective view thereof showing the lint roller cover with a lint roller.
 The portions in Figures shown in broken lines form no part of the claimed design.

1 Claim, 3 Drawing Sheets

(56) **References Cited**

U.S. PATENT DOCUMENTS

2,321,511	A *	6/1943	Piercy	15/230.11
3,172,138	A *	3/1965	Price	15/98
6,324,713	B1 *	12/2001	Barkley	15/23
D463,134	S *	9/2002	Vosbikian	D4/122
7,188,384	B2 *	3/2007	McKay	15/104.002
D562,559	S *	2/2008	Murray	D4/102



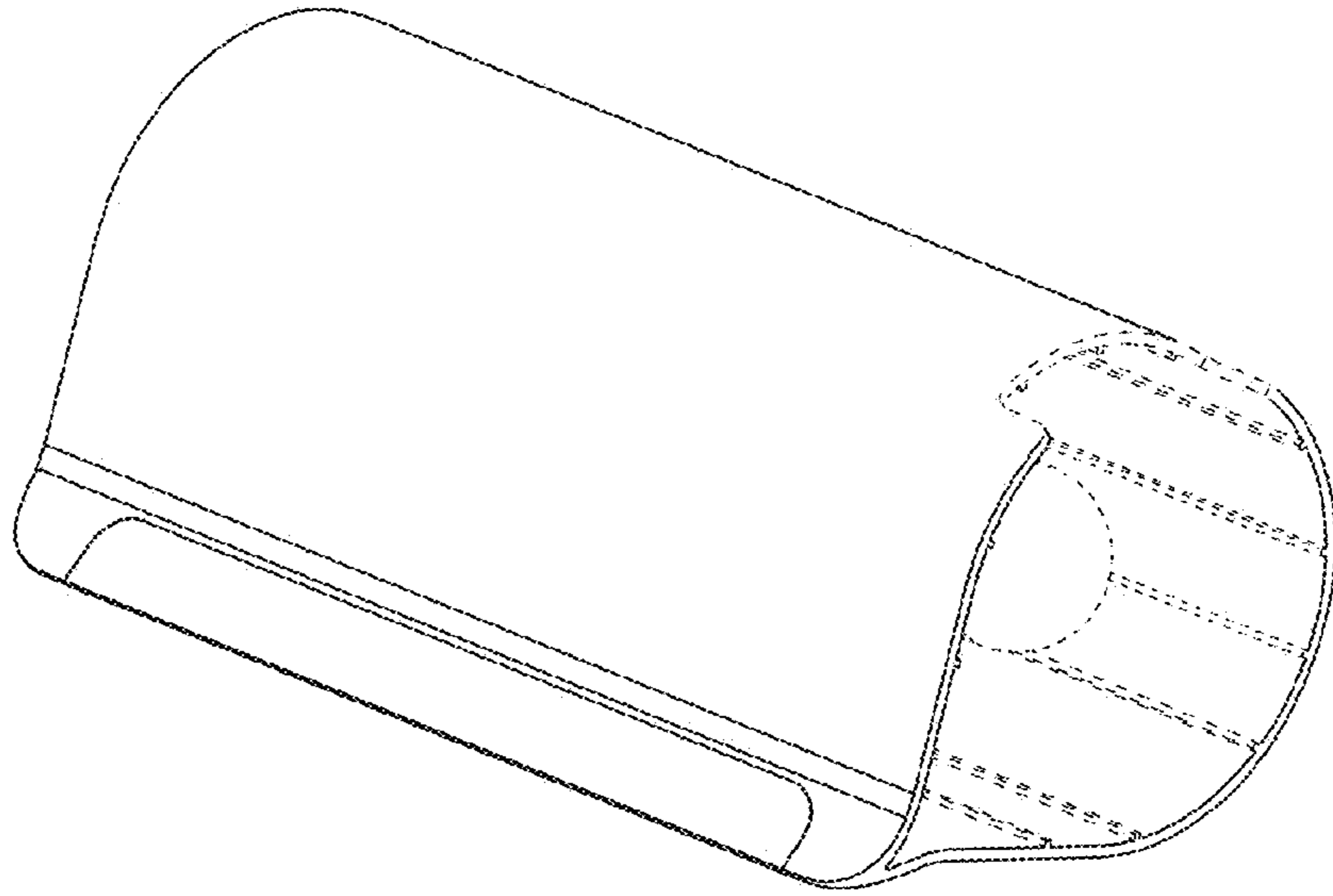


Fig. 1

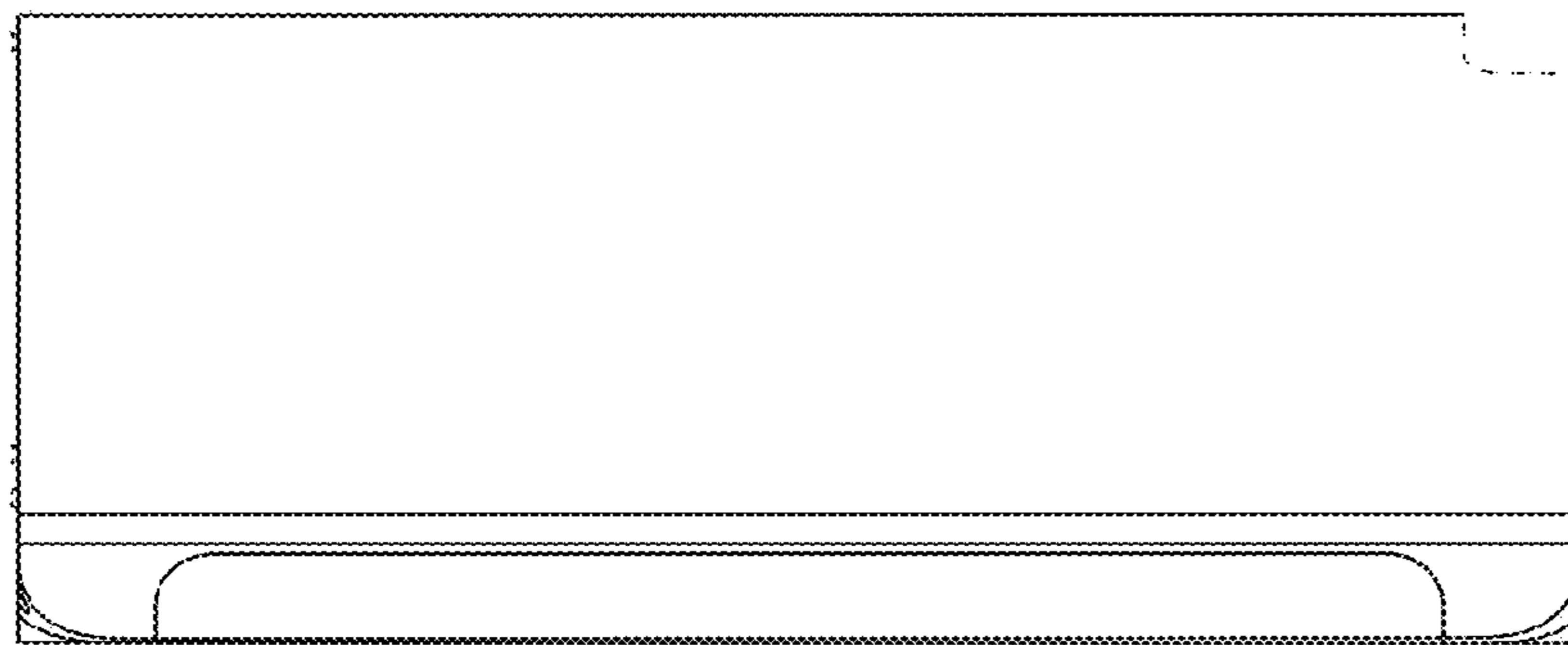


Fig. 2

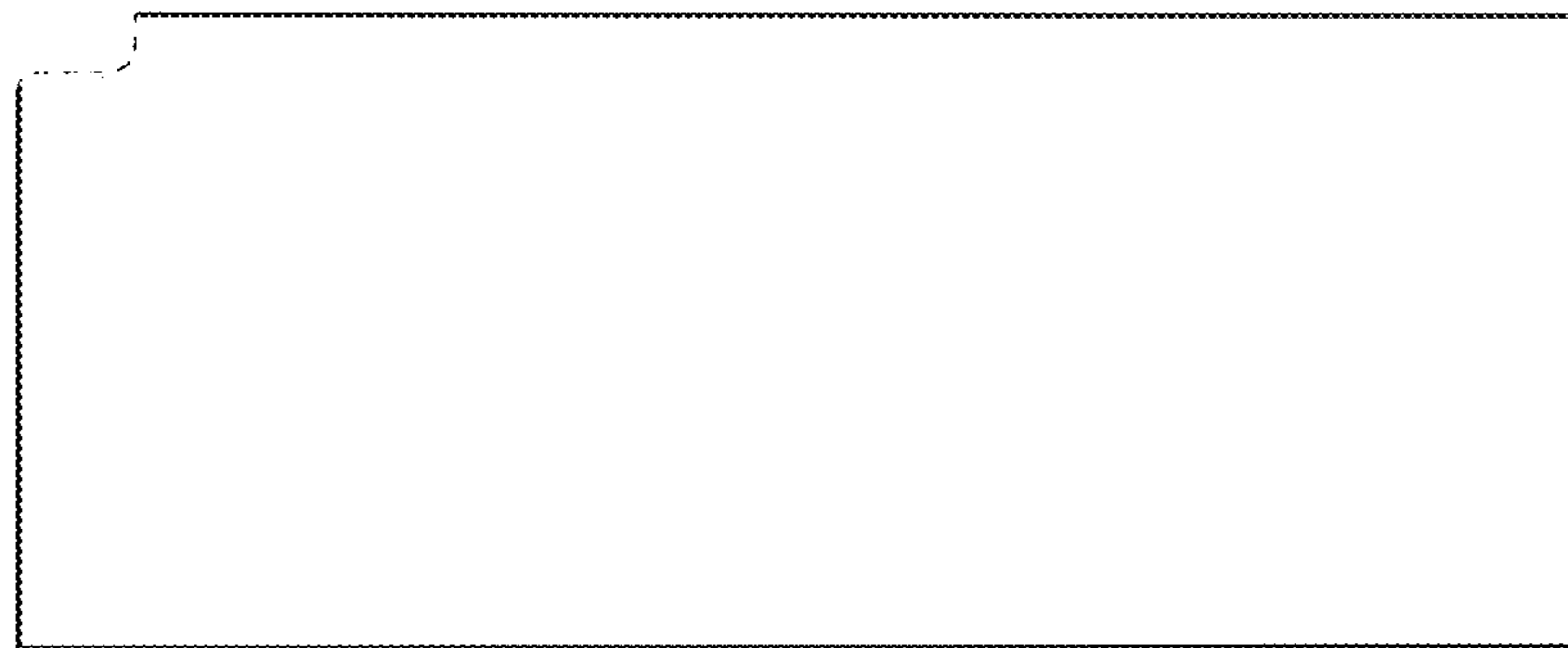


Fig. 3

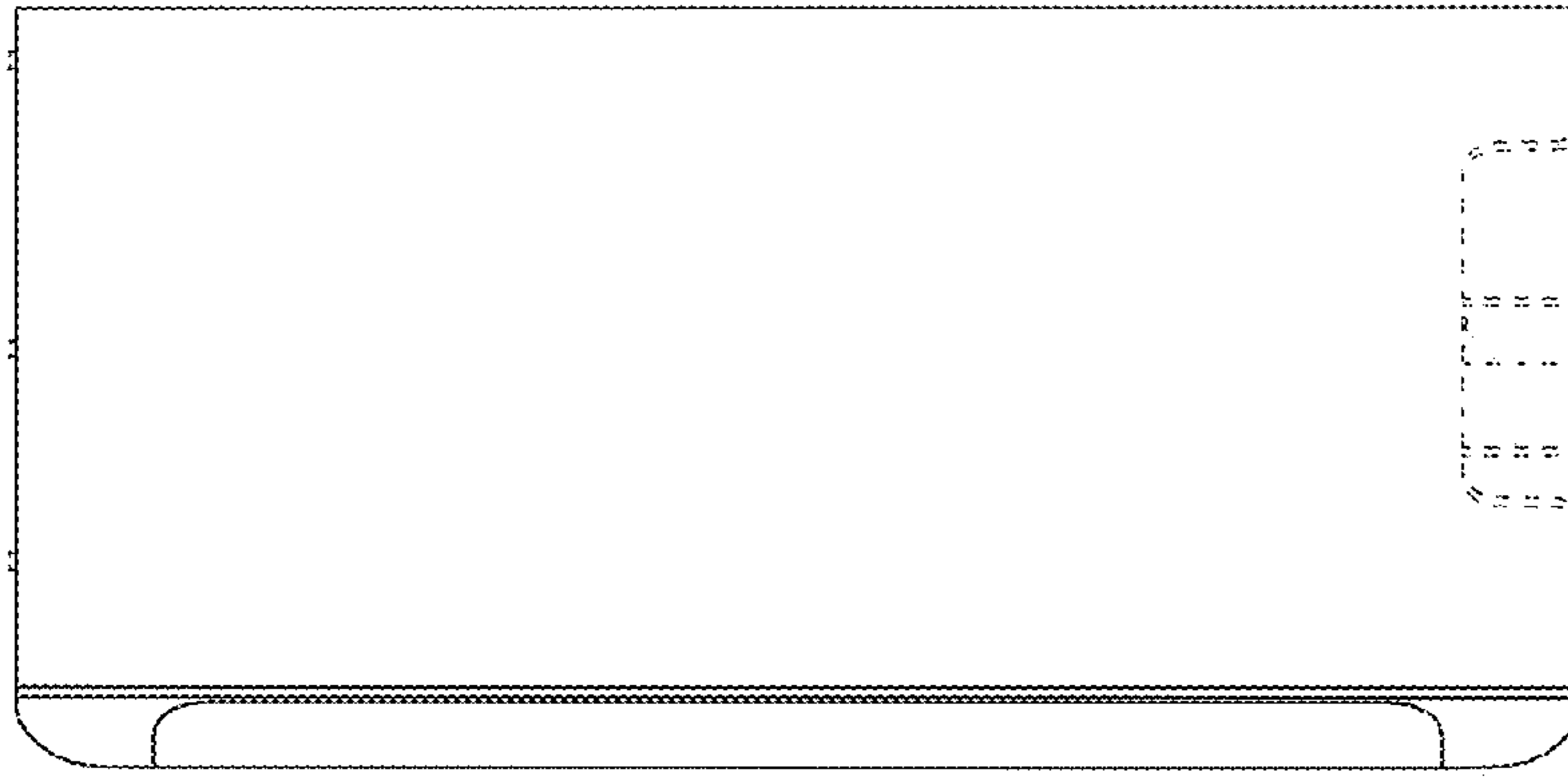


Fig. 4

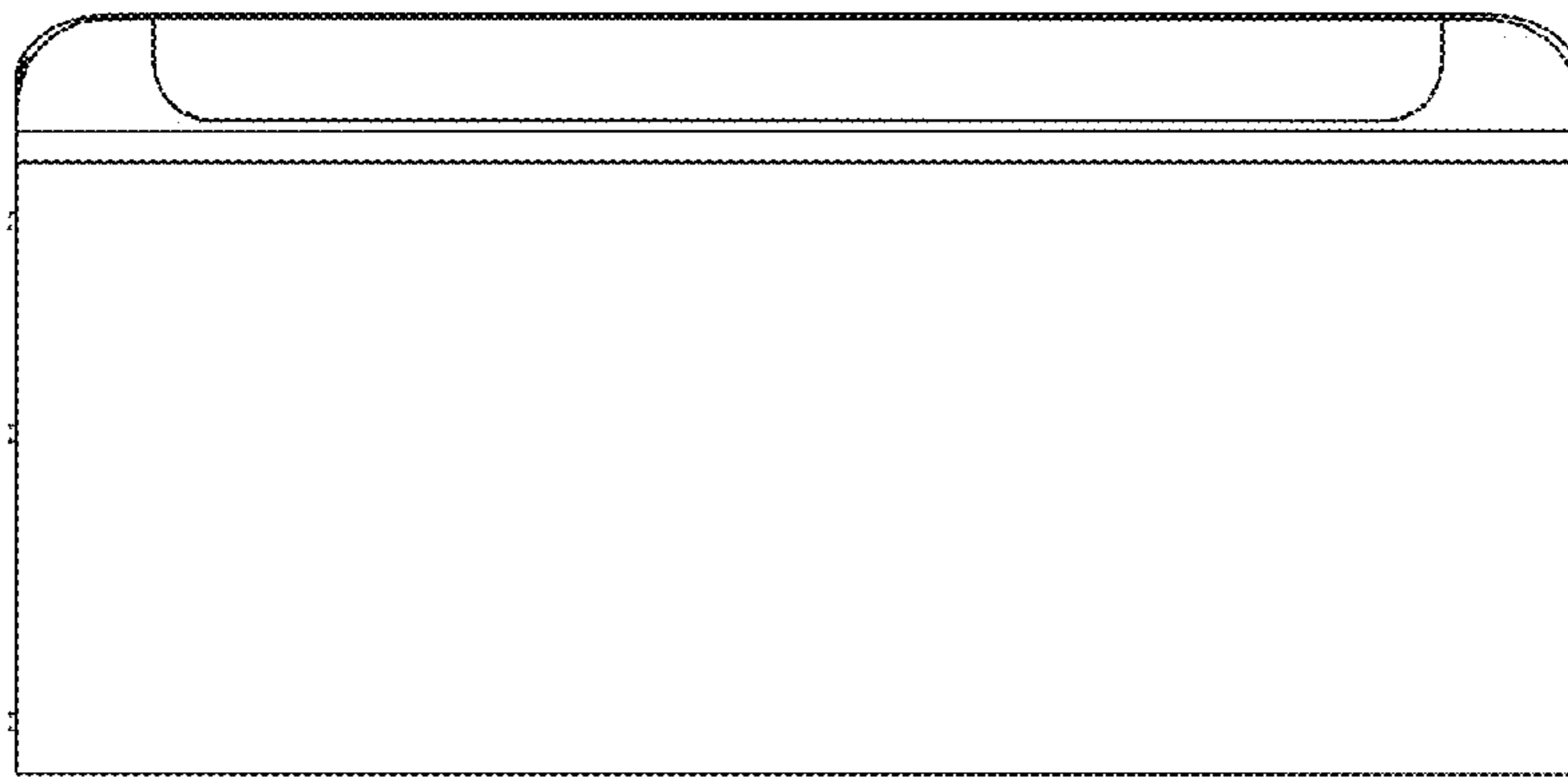


Fig. 5

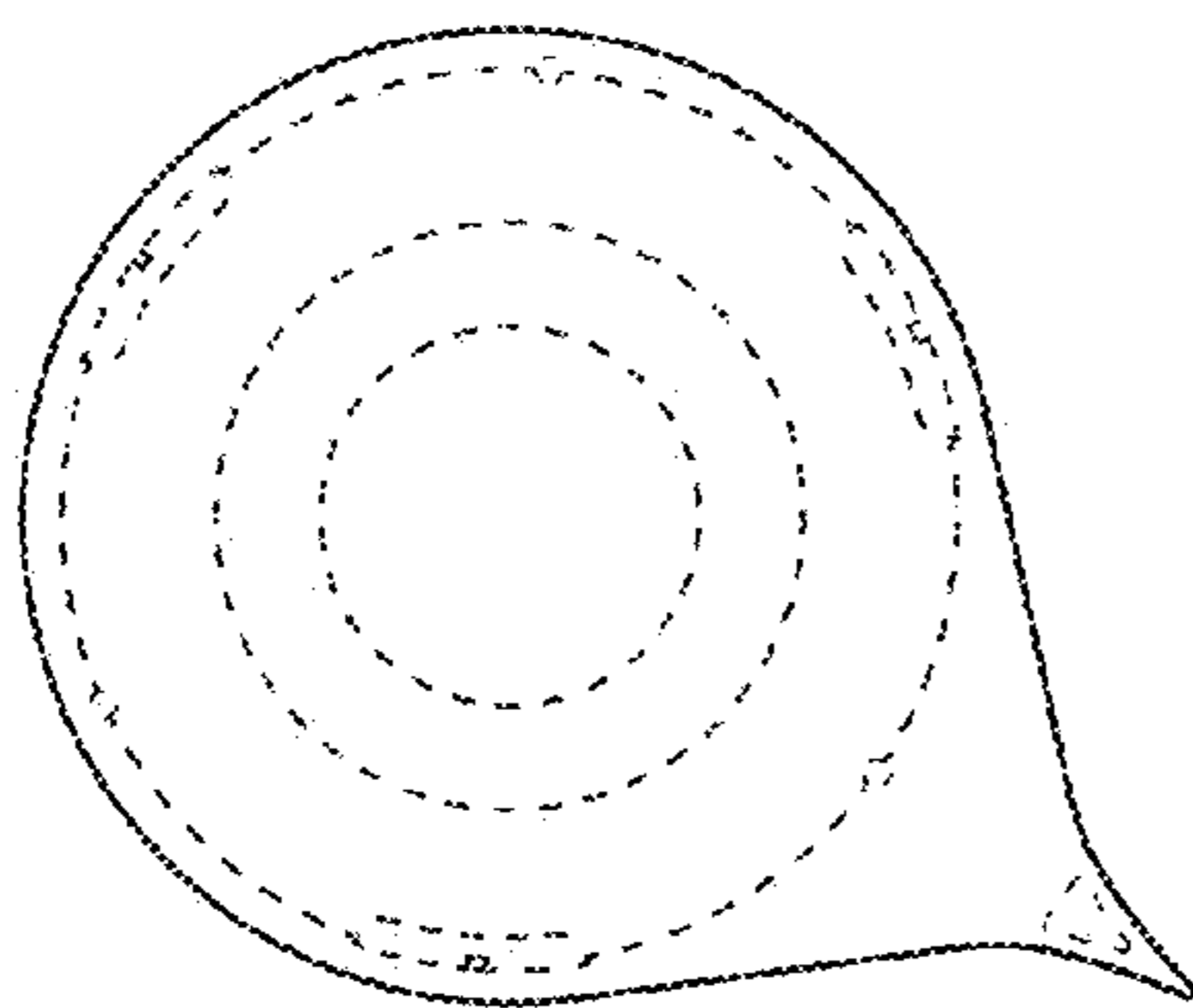


Fig. 6

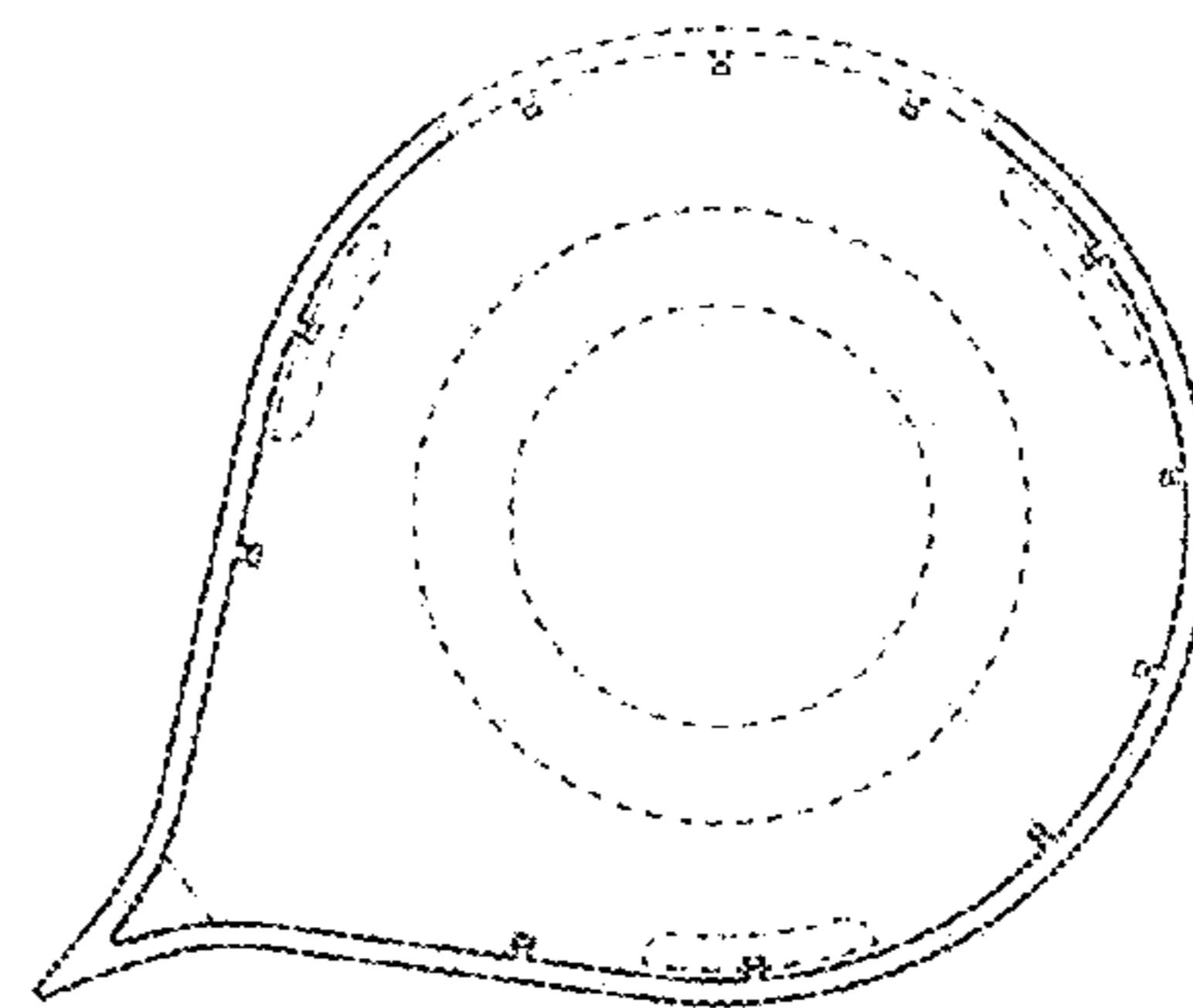


Fig. 7

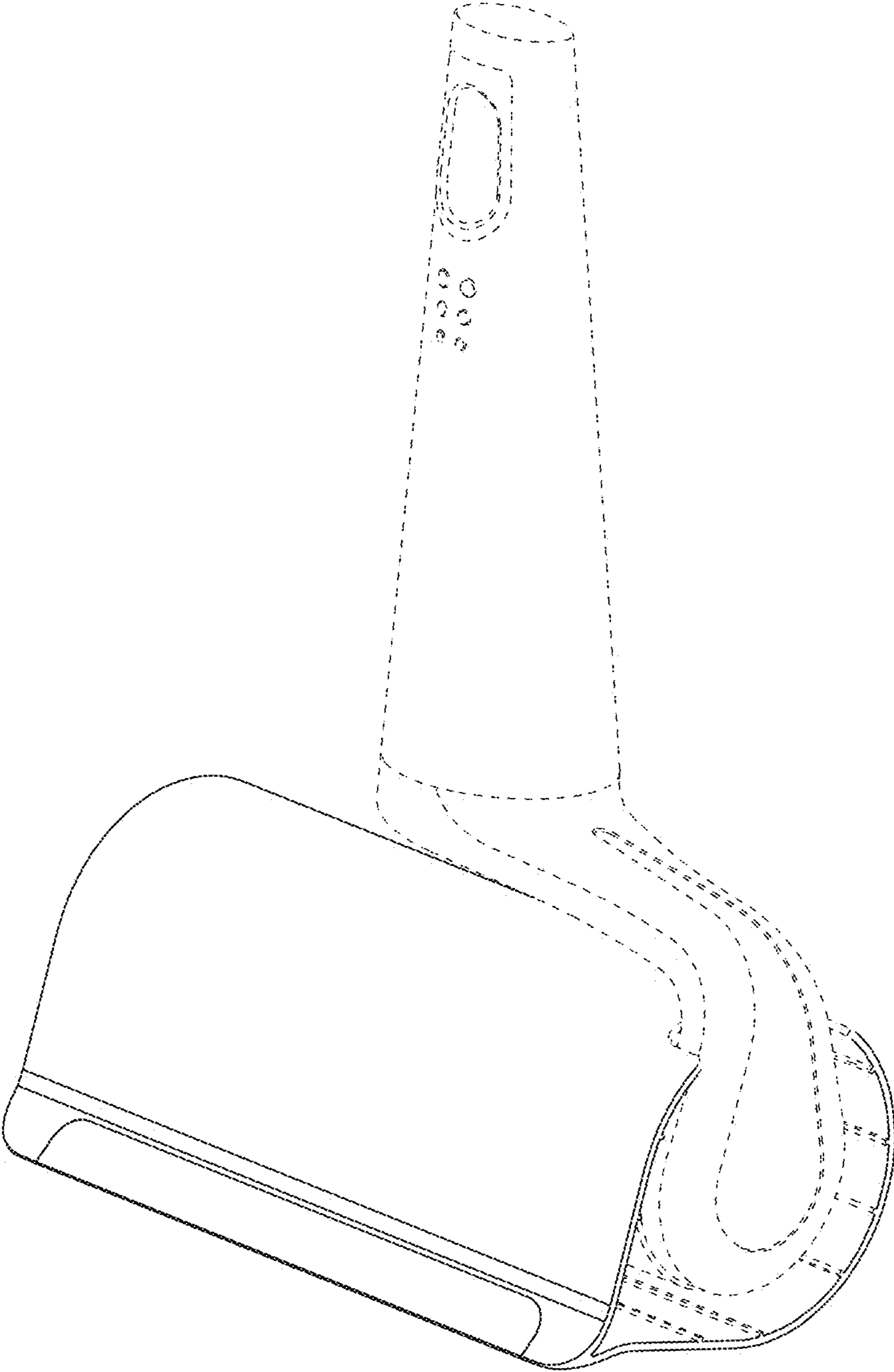


Fig. 8