



US00D697310S

(12) **United States Design Patent**
Snider

(10) **Patent No.:** **US D697,310 S**
(45) **Date of Patent:** **** Jan. 14, 2014**

(54) **STACKABLE BASKET**

(71) Applicant: **MSA Products, Inc.**, Nyack, NY (US)

(72) Inventor: **Martin Snider**, New City, NY (US)

(73) Assignee: **MSA Products, Inc.**, Nyack, NY (US)

(**) Term: **14 Years**

(21) Appl. No.: **29/443,554**

(22) Filed: **Jan. 18, 2013**

(51) **LOC (10) Cl.** **03-01**

(52) **U.S. Cl.**
USPC **D3/306**

(58) **Field of Classification Search**
USPC D3/201–202, 205–206, 273, 276,
D3/304–307, 312, 314, 309; D19/75, 86,
D19/90; D6/475–476, 525; 206/203,
206/214–215, 822, 307.1; 220/485, 493;
229/100, 406, 915
See application file for complete search history.

(56) **References Cited**

U.S. PATENT DOCUMENTS

D304,638	S	*	11/1989	Ireland	D3/304
D342,854	S	*	1/1994	Pentz	D6/552
5,277,360	A	*	1/1994	DeMott	229/122
5,819,933	A	*	10/1998	Hernandez	206/373
D458,640	S	*	6/2002	Hofman	D19/90
D507,108	S	*	7/2005	Suero, Jr.	D3/304
D508,167	S	*	8/2005	Anderson et al.	D6/566
D508,321	S	*	8/2005	Anderson et al.	D6/566
D528,300	S	*	9/2006	Hardy et al.	D3/306
D545,060	S	*	6/2007	Cheng	D3/306

D570,634	S	*	6/2008	Goodman et al.	D6/566
D579,660	S	*	11/2008	Snider	D3/304
D584,055	S	*	1/2009	Hardy et al.	D3/306
D615,328	S	*	5/2010	Snider	D6/510
D617,126	S	*	6/2010	Snider	D6/513
D635,363	S	*	4/2011	Hertaus	D3/307
D639,561	S	*	6/2011	Hardy et al.	D3/306
D651,405	S	*	1/2012	Lee	D3/304
D653,876	S	*	2/2012	Snider	D6/462
D675,849	S	*	2/2013	Tawil	D6/705
D675,850	S	*	2/2013	Tawil	D6/705
D677,055	S	*	3/2013	Nowicky et al.	D3/304
D677,056	S	*	3/2013	Hu	D3/306
D679,501	S	*	4/2013	Hu	D3/306
D682,040	S	*	5/2013	Tiemann	D7/600.4
D683,963	S	*	6/2013	Tsai	D3/304
D686,018	S	*	7/2013	Etherington et al.	D7/600.1

* cited by examiner

Primary Examiner — Kelley Donnelly

(74) *Attorney, Agent, or Firm* — Gerald E. Hespos; Michael J. Porco; Matthew T. Hespos

(57) **CLAIM**

The ornamental design for a stackable basket, as shown and described.

DESCRIPTION

FIG. 1 is a perspective view of a stackable basket in accordance with my design;

FIG. 2 is a top plan view thereof;

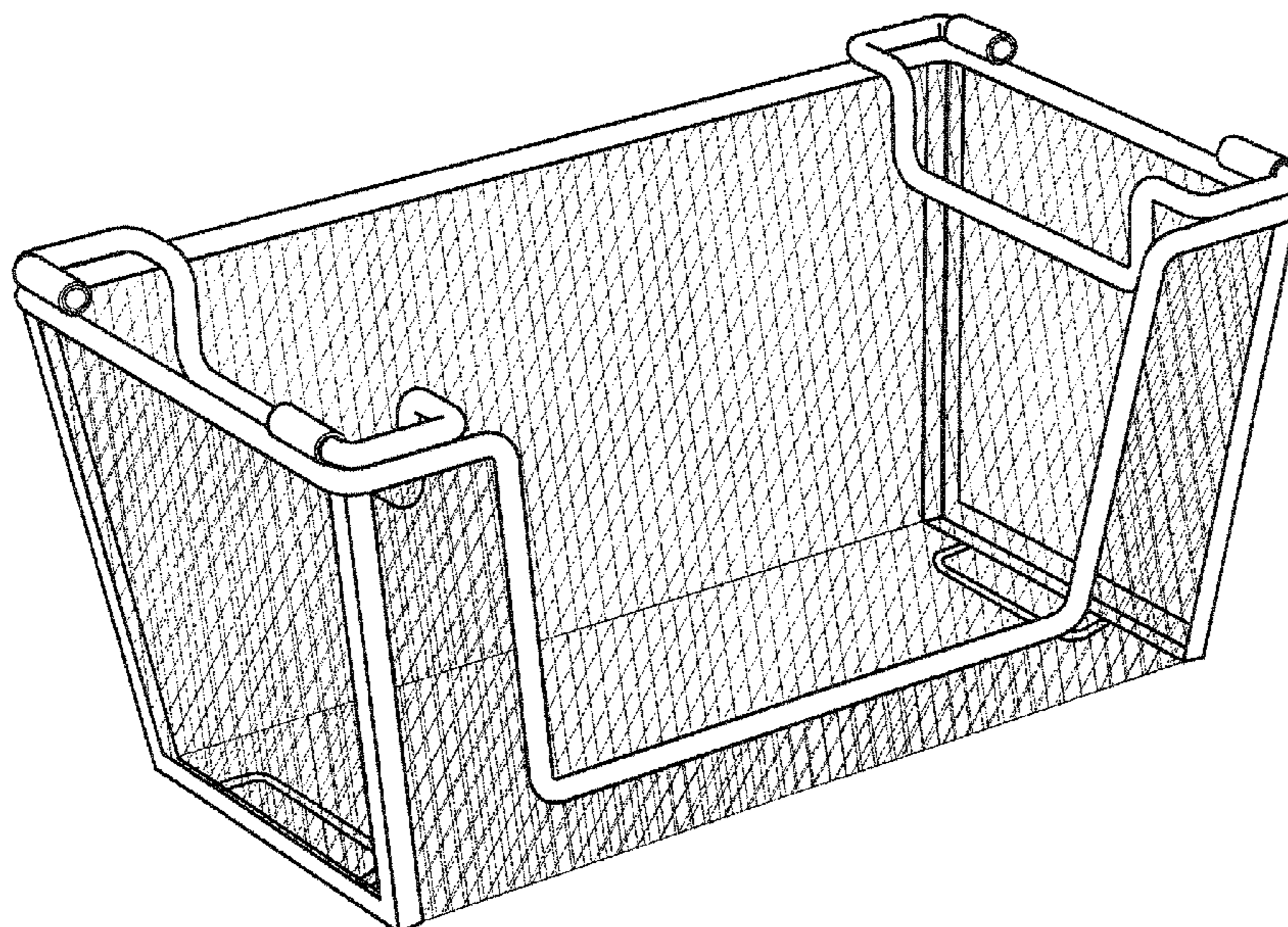
FIG. 3 is a bottom plan view thereof;

FIG. 4 is a front elevational view thereof;

FIG. 5 is a rear elevational view thereof; and,

FIG. 6 is a left side elevational view thereof, with the right side elevational view being identical.

1 Claim, 6 Drawing Sheets



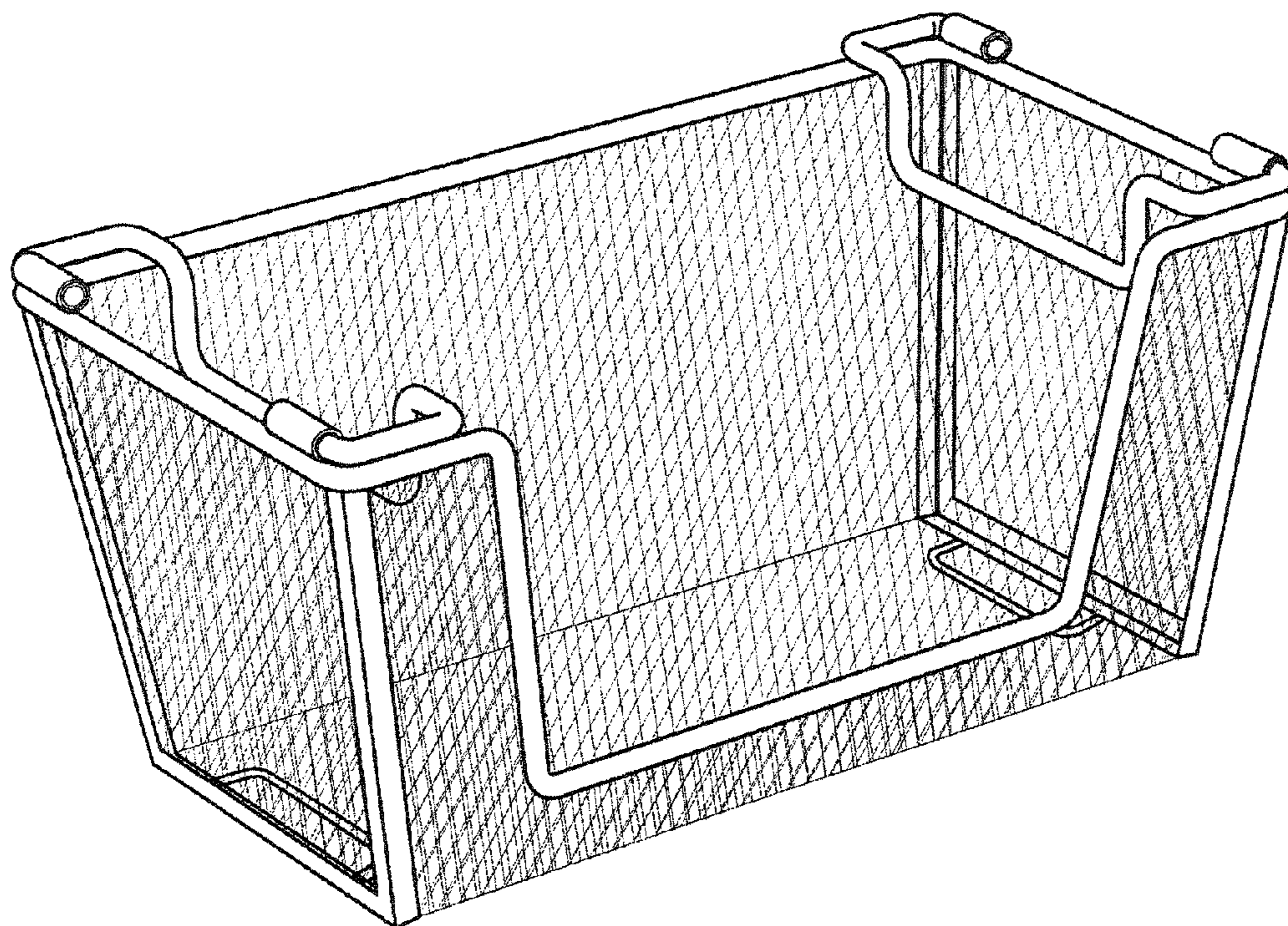


FIG.1

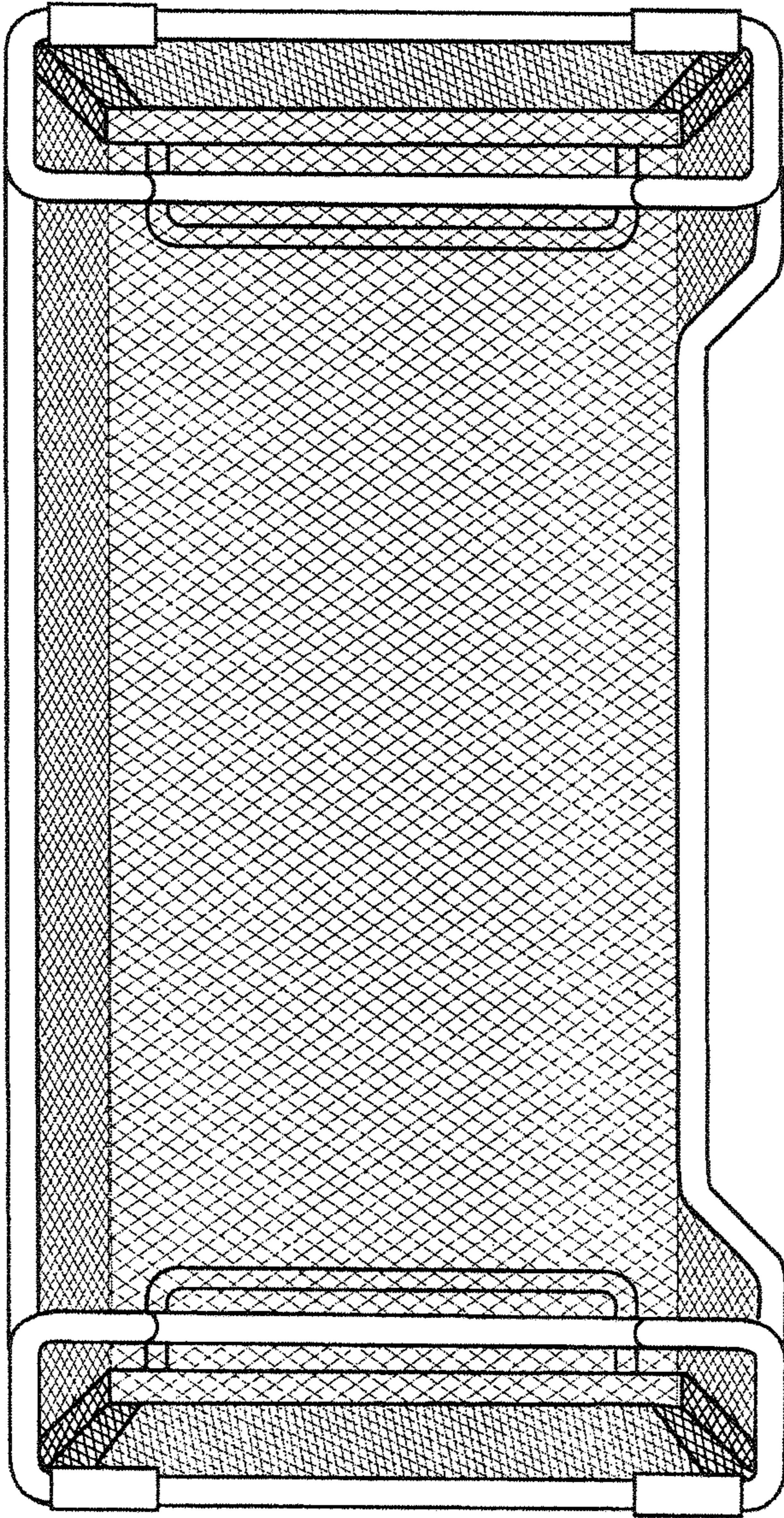


FIG.2

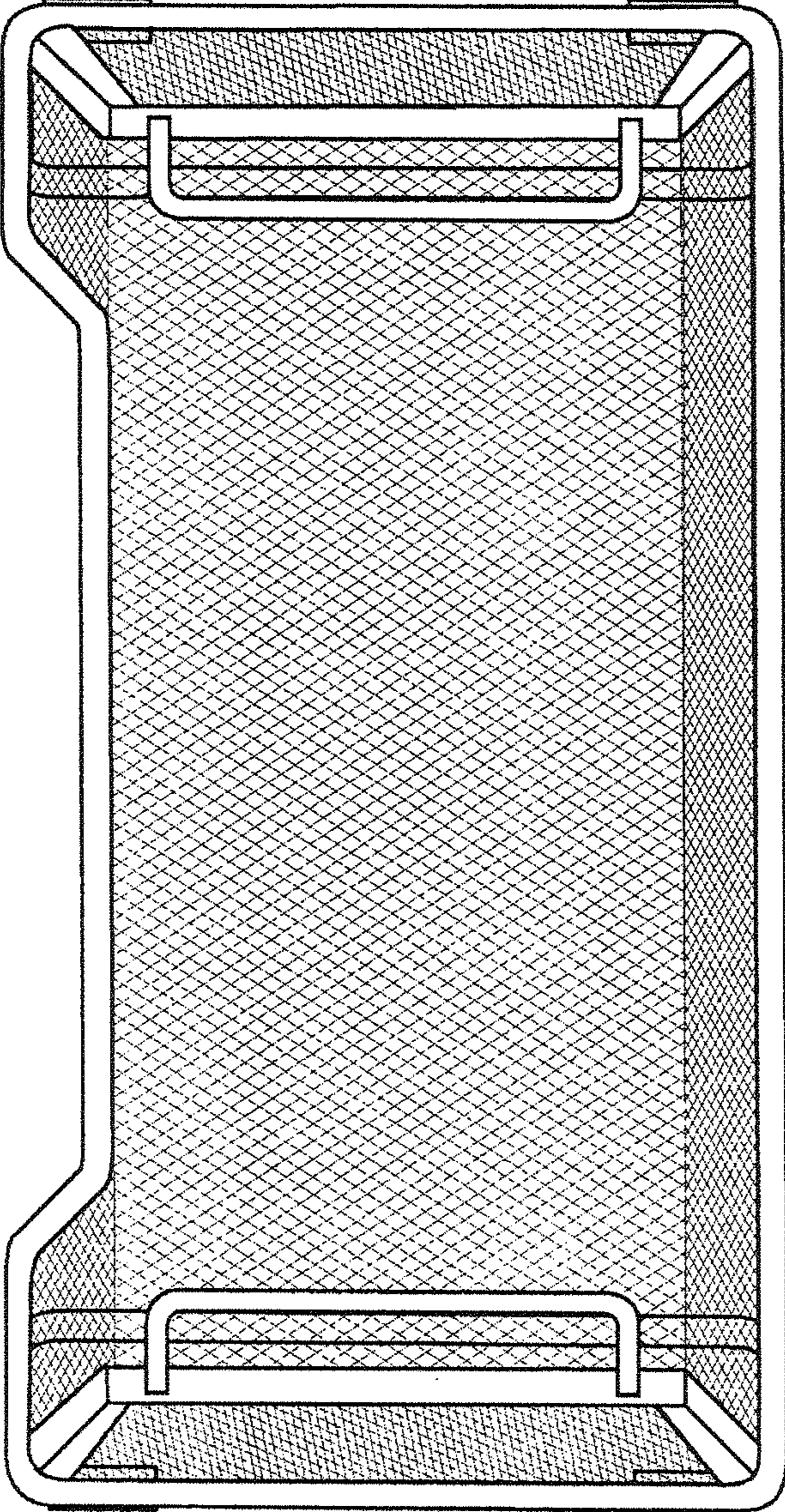


FIG.3

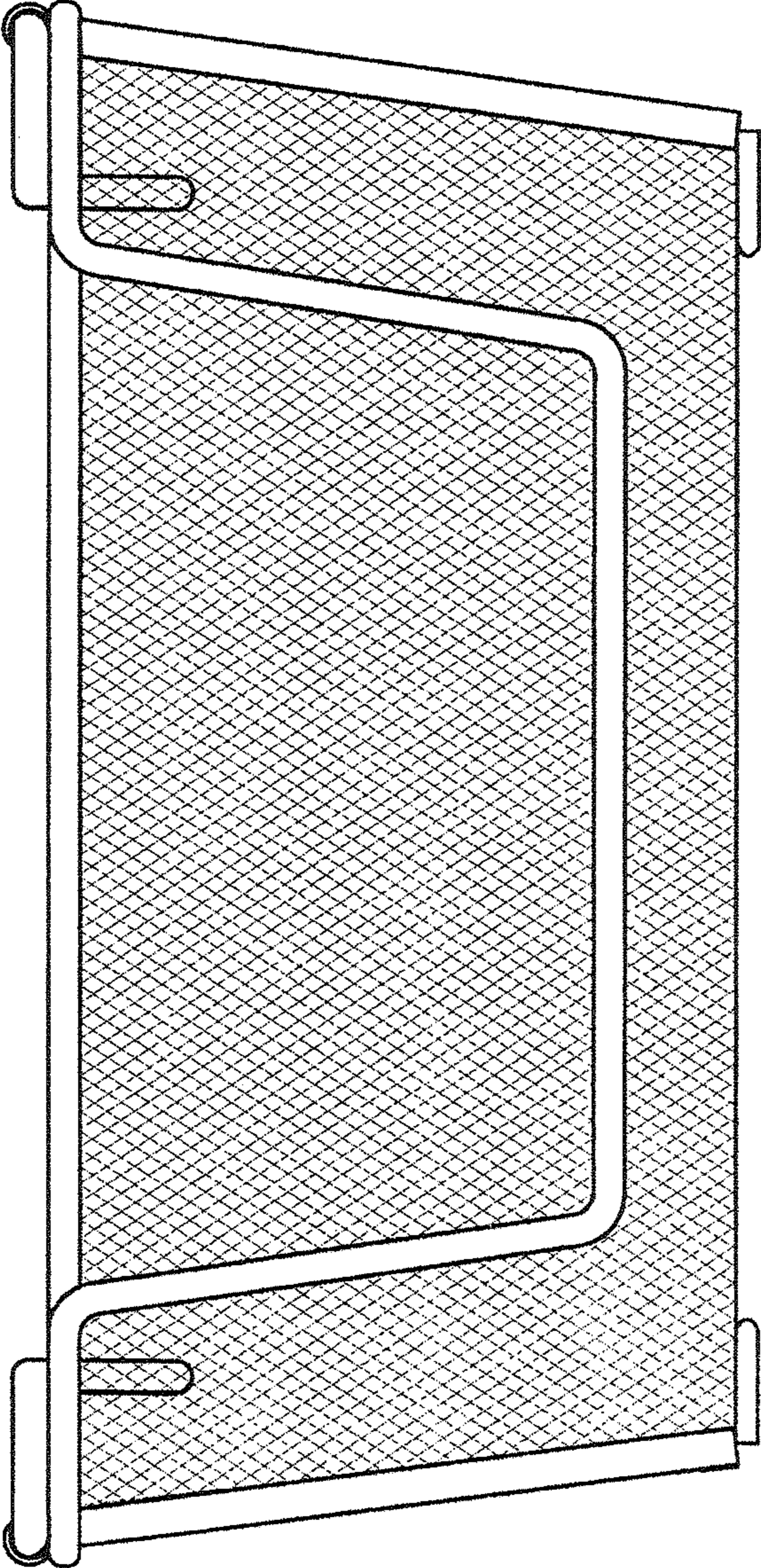


FIG.4

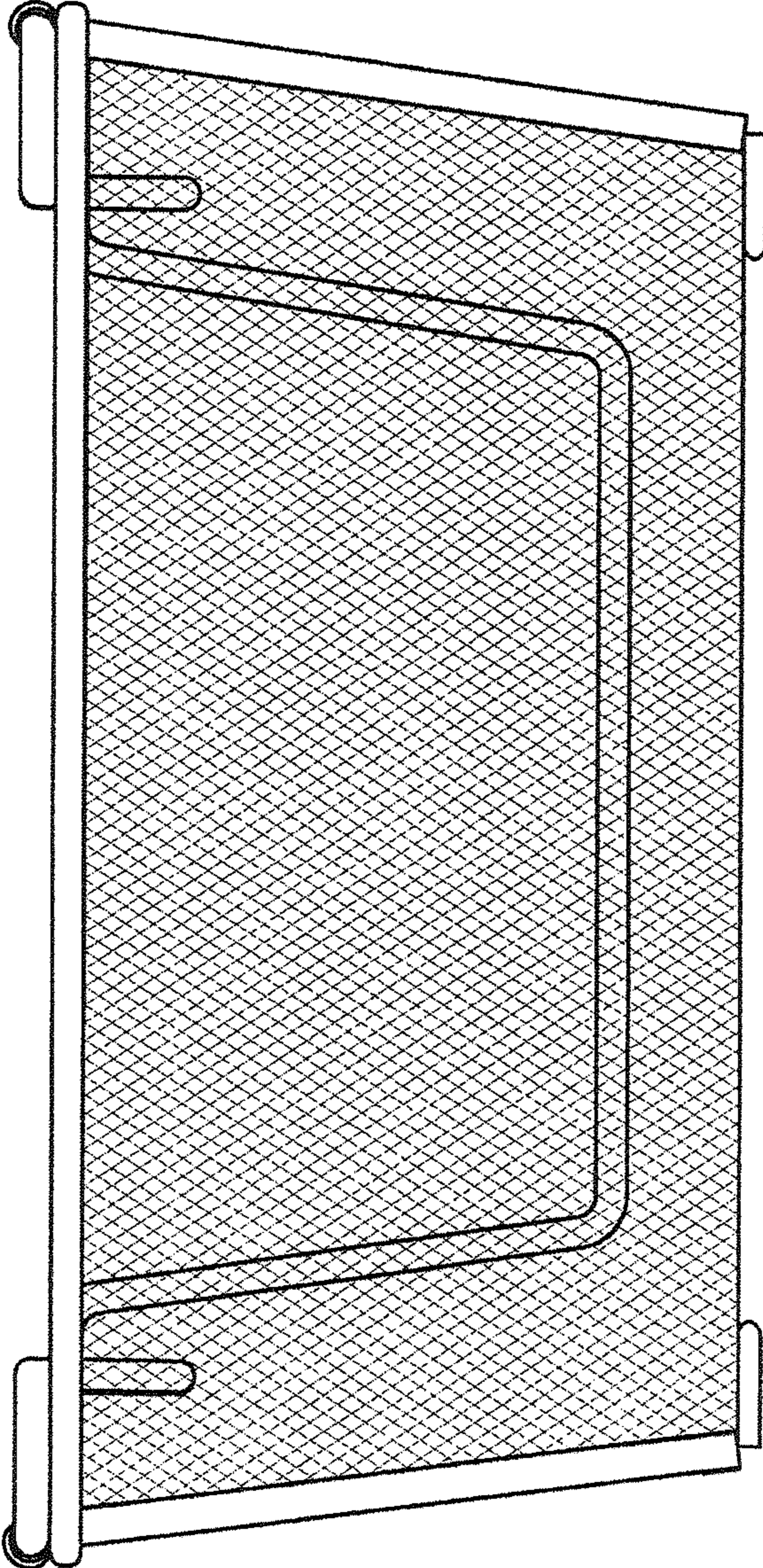


FIG.5

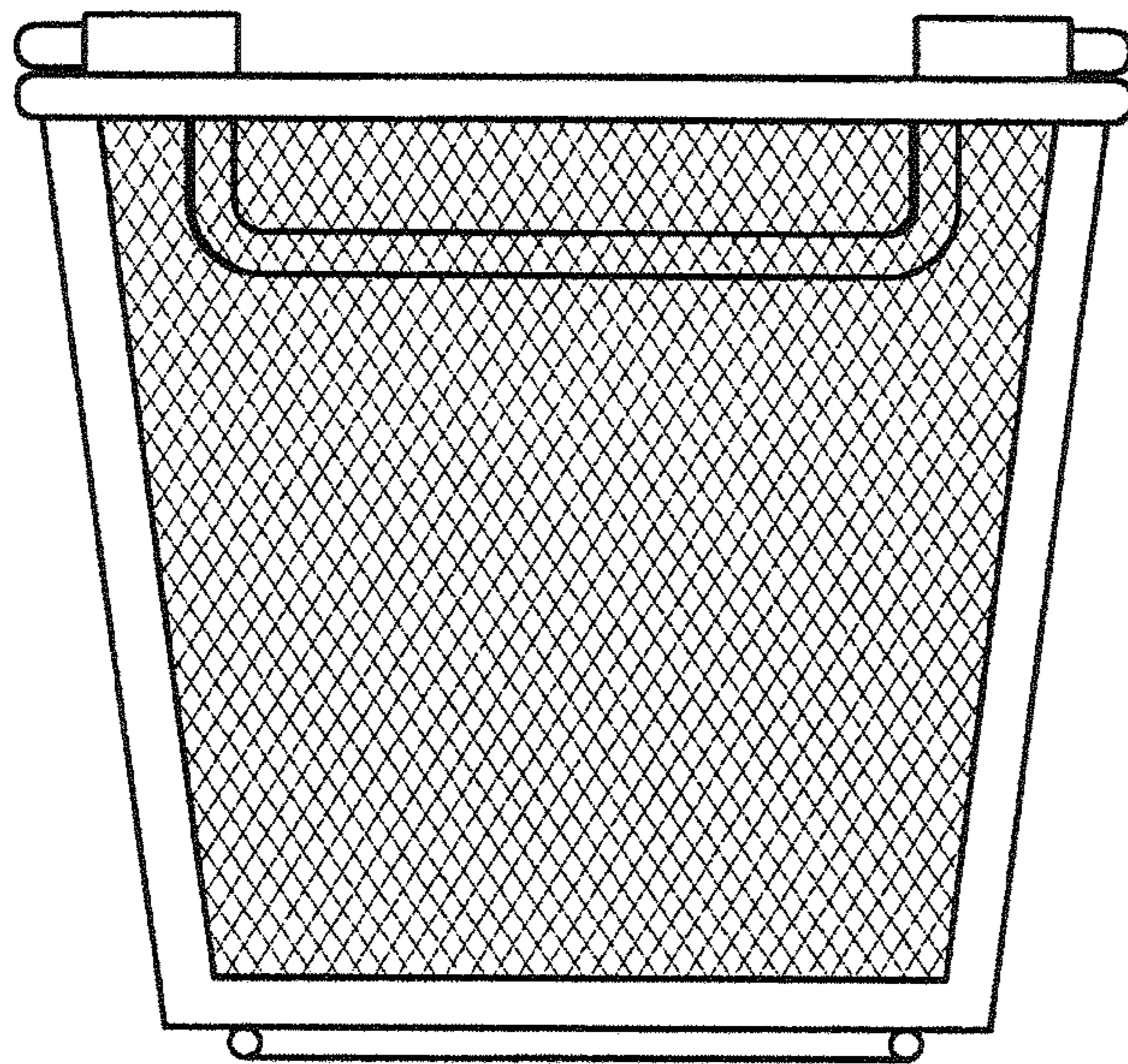


FIG.6