

US00D697309S

(12) **United States Design Patent**
Baldwin et al.

(10) **Patent No.:** **US D697,309 S**
(45) **Date of Patent:** **** Jan. 14, 2014**

(54) **CADDY**

(71) Applicant: **3M Innovative Properties Company**,
St. Paul, MN (US)

(72) Inventors: **Mark W. Baldwin**, New Hope, MN
(US); **Thomas C. Meier**, Woodbury, MN
(US); **Kayo M. Roehm**, Shoreview, MN
(US); **Cynthia A. Timmerman**, Hudson,
WI (US); **Caroline A. Sazama**, Eden
Prairie, MN (US); **Valentina Tronconi**,
Milan (IT); **Lorenzo Ruggieri**, Milan
(IT); **Roberto Manzari**, Milan (IT);
Antonio Pugliese, Pomigliano d'Arco
(IT)

(73) Assignee: **3M Innovative Properties Company**,
St. Paul, MN (US)

(**) Term: **14 Years**

(21) Appl. No.: **29/459,308**

(22) Filed: **Jun. 28, 2013**

(51) **LOC (10) Cl.** **03-01**

(52) **U.S. Cl.**
USPC **D3/304**

(58) **Field of Classification Search**
USPC D3/303-304, 307-308, 310, 315;
D12/416; D19/65, 75, 77-78, 86, 90,
D19/92, 95; 206/203, 427, 429, 503, 514;
220/604, 608, 660, 669, 675-676,
220/752-755

See application file for complete search history.

(56) **References Cited**

U.S. PATENT DOCUMENTS

D387,981 S * 12/1997 Mosior et al. D3/304
D416,421 S * 11/1999 Hampshire D6/553
D481,894 S * 11/2003 Hunt D6/525

D485,306 S * 1/2004 Sheldon et al. D19/85
D485,307 S * 1/2004 Sheldon et al. D19/90
D486,185 S * 2/2004 Sheldon et al. D19/90
D486,644 S * 2/2004 Claypool D3/304
D517,264 S * 3/2006 Wheeler D32/37
D537,121 S * 2/2007 Smith D19/90
D546,593 S * 7/2007 Bergin D6/500
D547,235 S * 7/2007 Stanton et al. D11/156
D550,458 S * 9/2007 Watson D3/304
D563,136 S * 3/2008 Kramer D6/553
D566,361 S * 4/2008 Snell D32/55
D577,913 S * 10/2008 Thompson et al. D6/567
D577,914 S * 10/2008 Babic et al. D6/567
D589,728 S * 4/2009 Shaha et al. D6/510
D592,434 S * 5/2009 Thompson et al. D6/553
D600,017 S * 9/2009 Christie D3/304
D602,530 S * 10/2009 Thompson et al. D19/90
D618,675 S * 6/2010 Thompson et al. D14/251
D653,602 S * 2/2012 Stroud et al. D12/419
D679,528 S * 4/2013 Gilboe et al. D6/525

* cited by examiner

Primary Examiner — Kelley Donnelly

(74) *Attorney, Agent, or Firm* — Irina Hass

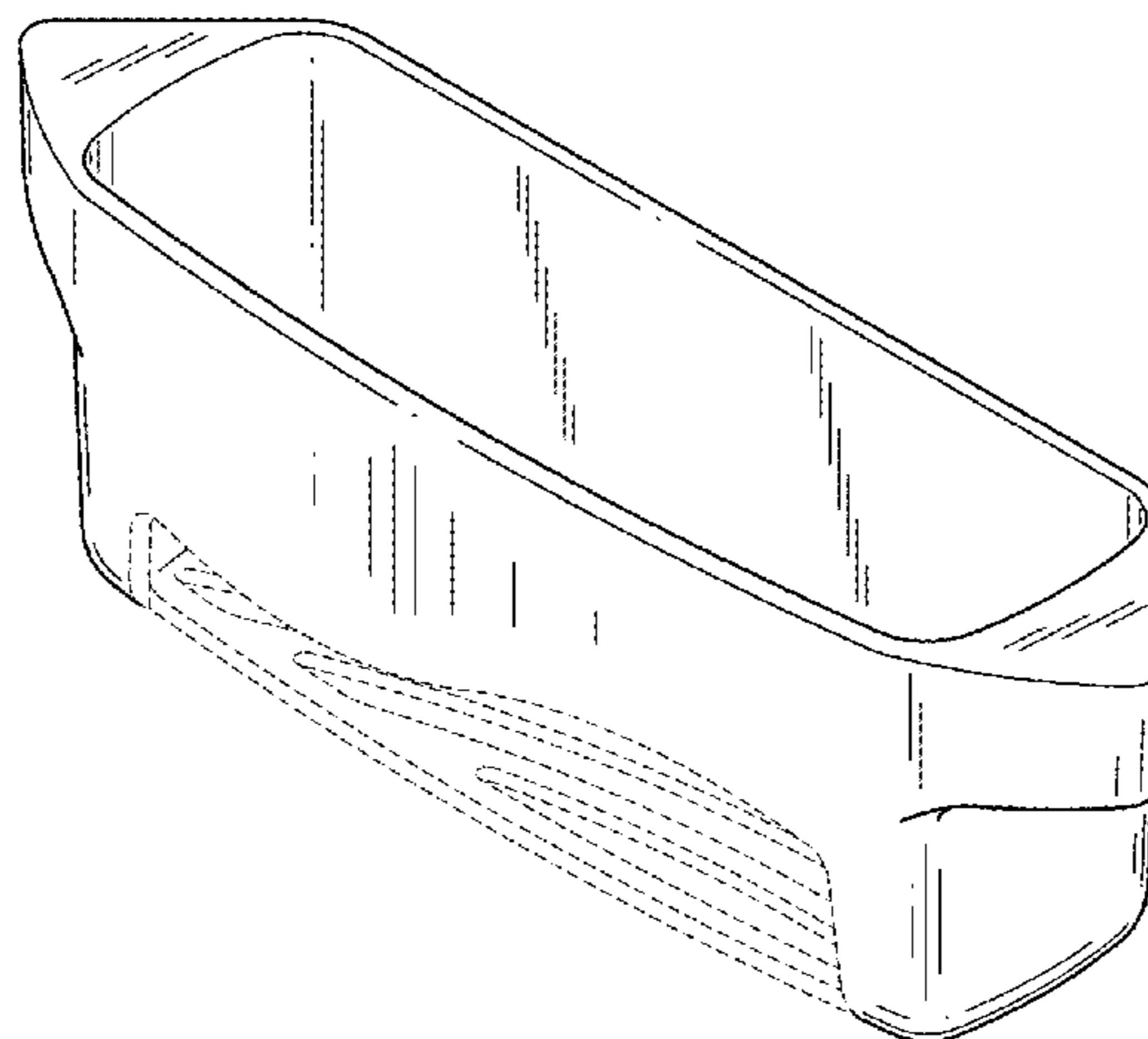
(57) **CLAIM**

The ornamental design for a caddy, as shown and described.

DESCRIPTION

FIG. 1 is a perspective view showing the new design for a caddy;
FIG. 2 is a front view thereof;
FIG. 3 is a rear view thereof;
FIG. 4 is a right side view thereof; a left side view being a mirror image thereof;
FIG. 5 is a top view thereof;
FIG. 6 is a bottom view thereof; and,
FIG. 7 is a perspective view thereof showing the caddy with a sponge and a cleaning tool.
The broken lines in Figures are included for the purpose of showing portions that form no part of the claimed design.

1 Claim, 4 Drawing Sheets



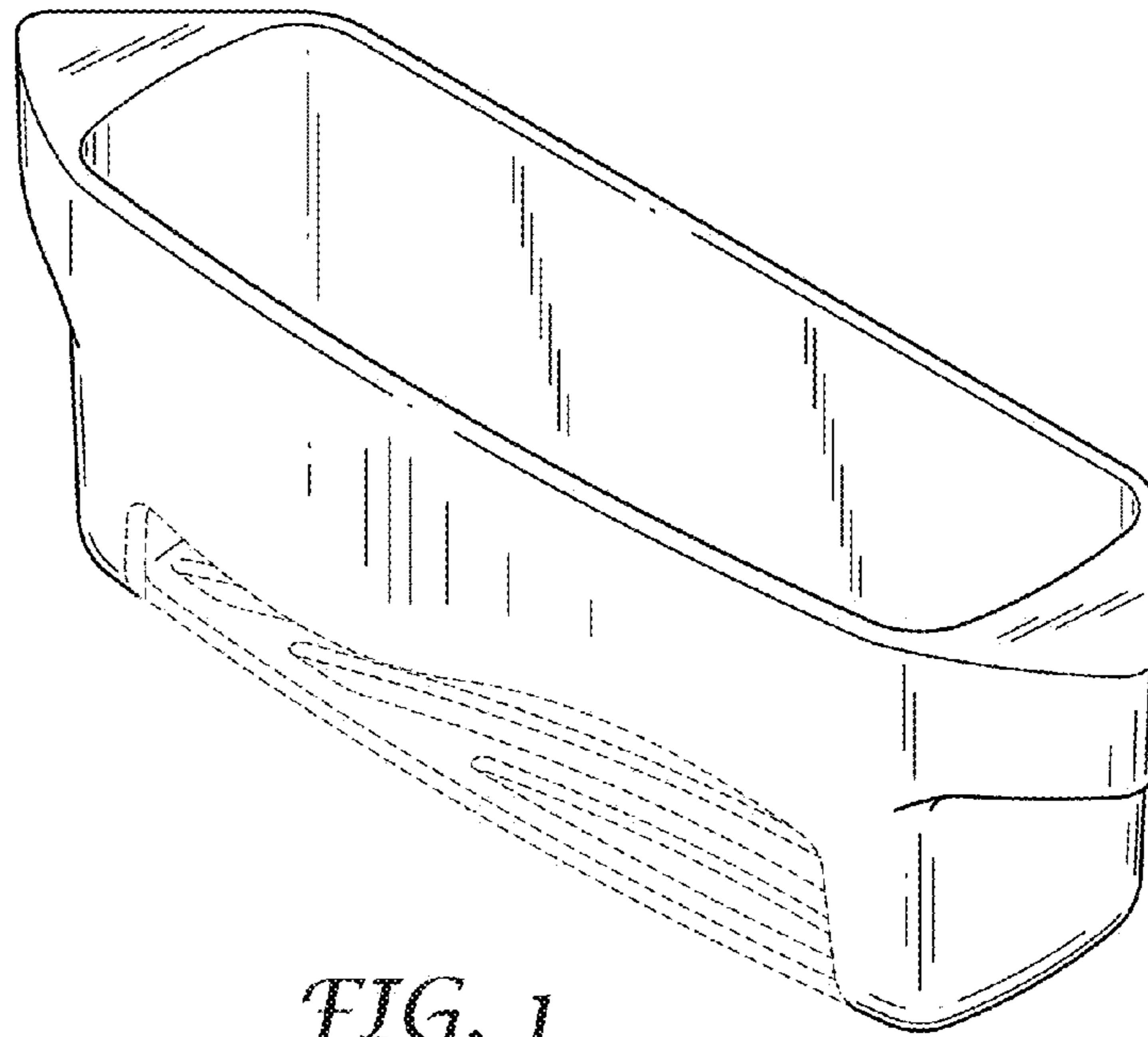


FIG. 1

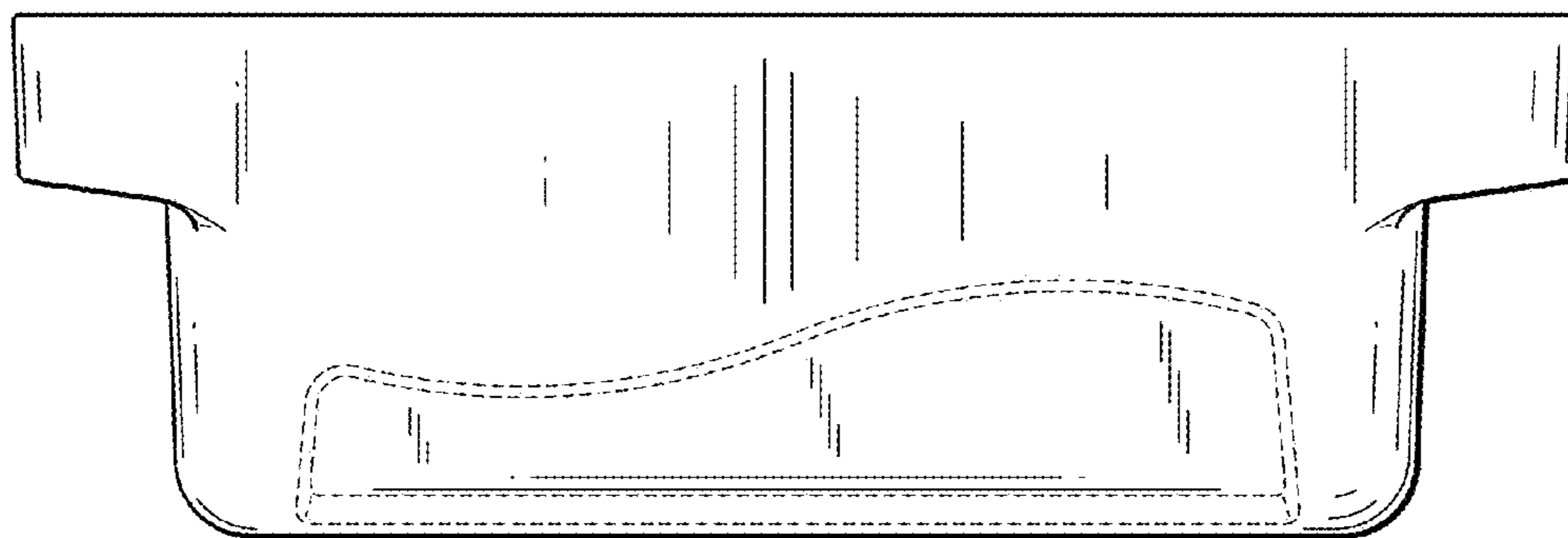


FIG. 2

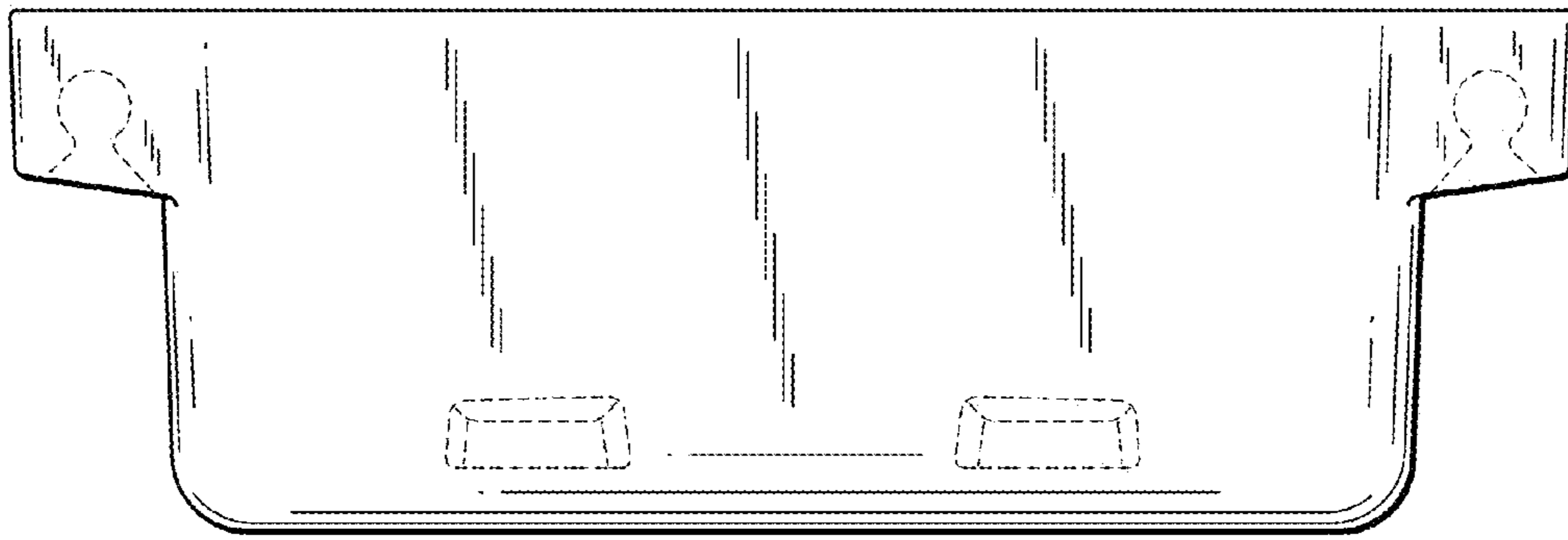


FIG. 3

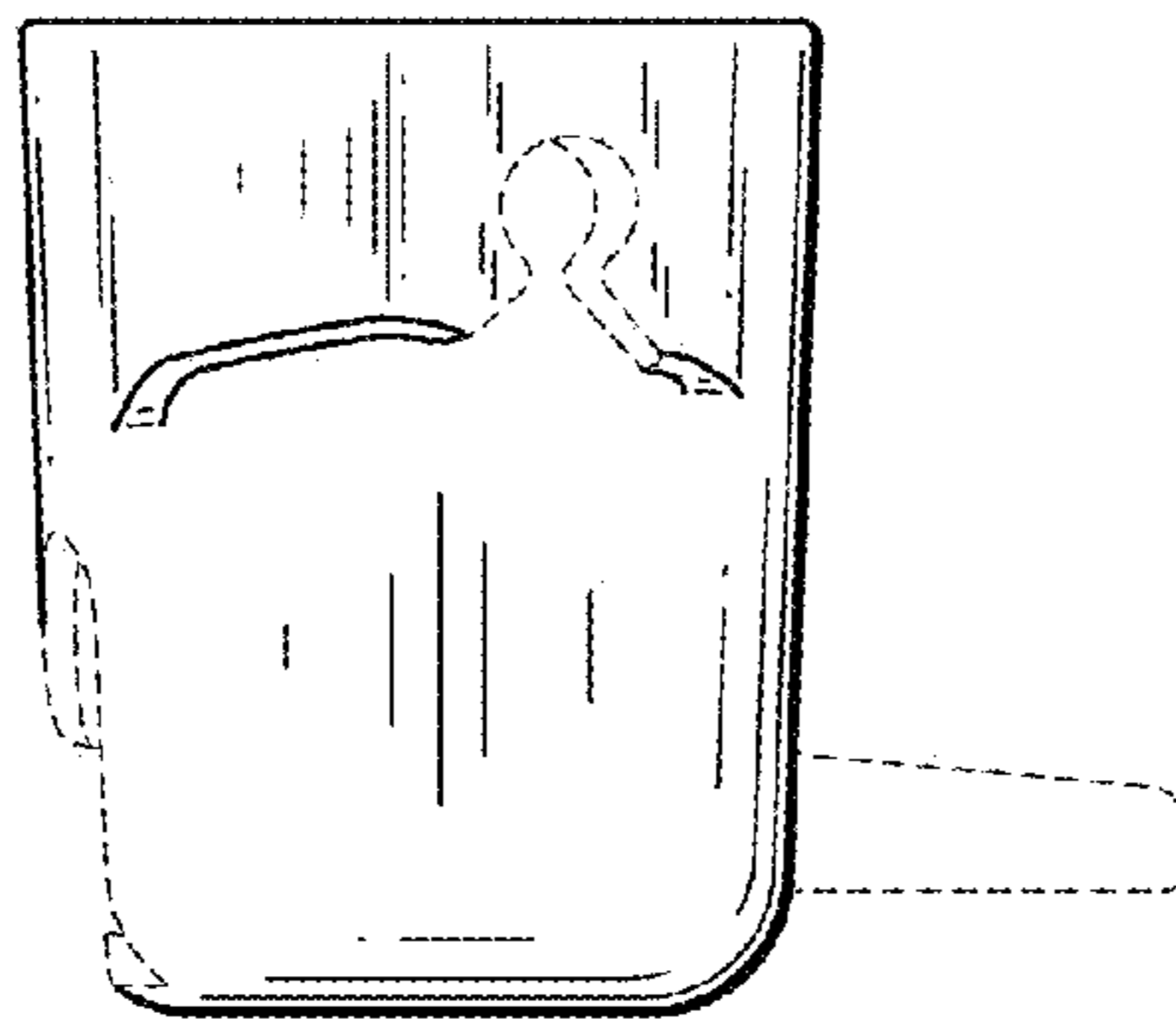


FIG. 4

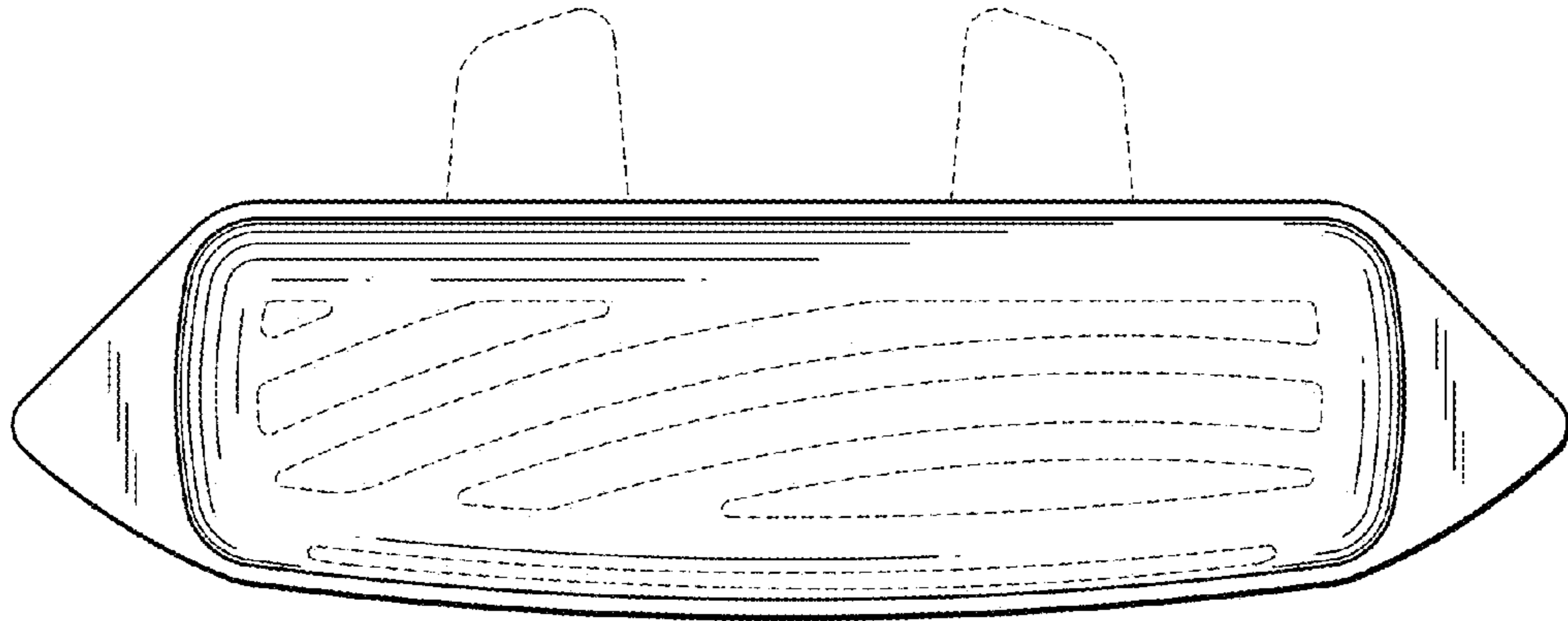


FIG. 5

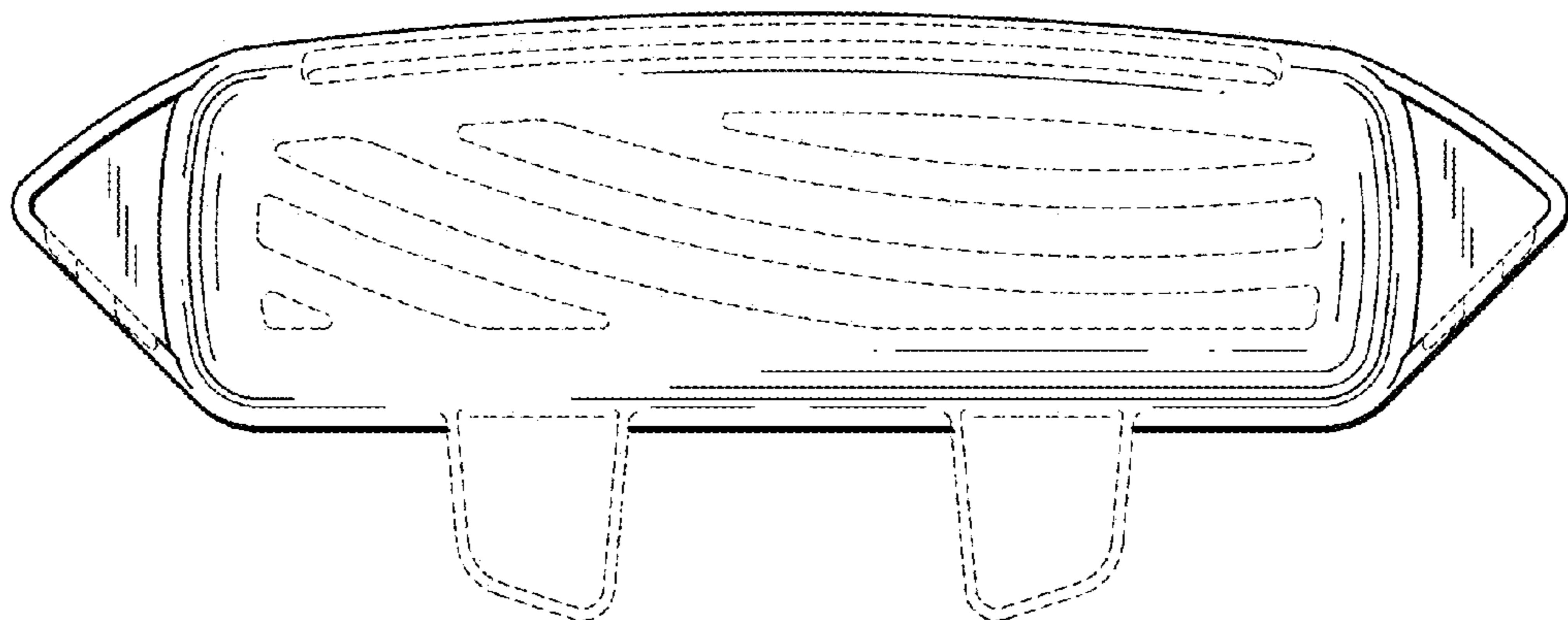


FIG. 6

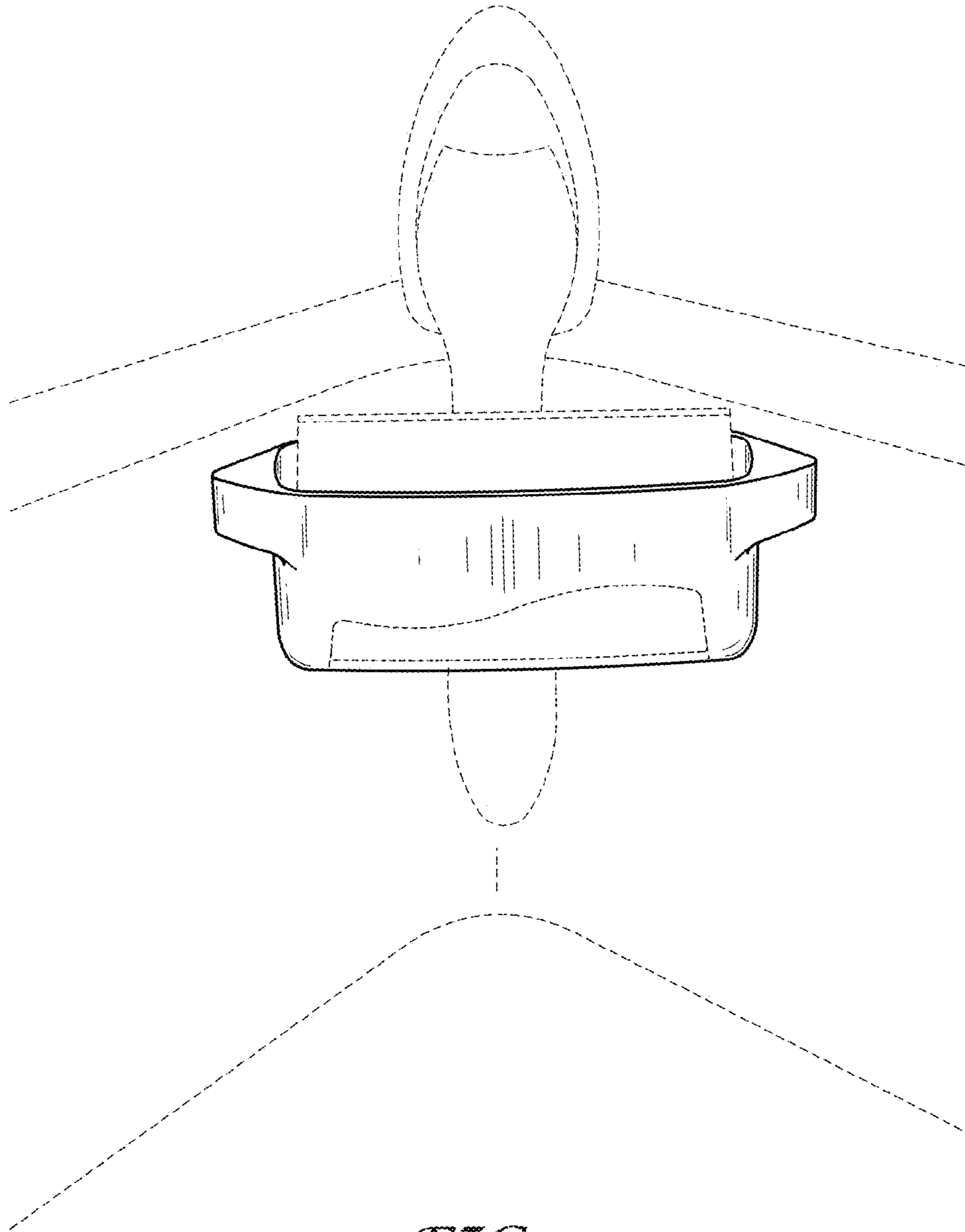


FIG. 7