



US00D697308S

(12) **United States Design Patent**  
**Daniel**

(10) **Patent No.:** **US D697,308 S**  
(45) **Date of Patent:** **\*\* Jan. 14, 2014**

(54) **ELECTRONIC CREDIT CARD CASE WITH A DISPLAY SCREEN**

D602,690 S \* 10/2009 Schochet et al. .... D3/249  
D622,957 S \* 9/2010 Marshall ..... D3/247  
D633,714 S \* 3/2011 Marshall ..... D3/247

(71) Applicant: **Isaac S. Daniel**, Miramar, FL (US)

\* cited by examiner

(72) Inventor: **Isaac S. Daniel**, Miramar, FL (US)

*Primary Examiner* — Holly Baynham

(\*\*) Term: **14 Years**

(74) *Attorney, Agent, or Firm* — Carol N. Green, Esq.

(21) Appl. No.: **29/436,153**

(57) **CLAIM**

(22) Filed: **Nov. 1, 2012**

The ornamental design for an electronic credit card case with a display screen, as shown and described.

**Related U.S. Application Data**

**DESCRIPTION**

(63) Continuation-in-part of application No. 29/435,725, filed on Oct. 26, 2012.

FIG. 1 is a top perspective view of the electronic credit card case with a display screen.

(51) **LOC (10) Cl.** ..... **03-01**

FIG. 2 is a bottom perspective view of the electronic credit card case with a display screen.

(52) **U.S. Cl.**

USPC ..... **D3/249**

FIG. 3 is a top plan view of the electronic credit card case with a display screen.

(58) **Field of Classification Search**

USPC ..... D3/247, 249–253, 294; 150/100, 150/103–110, 113–114, 117–119, 130, 150/136–137, 147

FIG. 4 is a bottom plan view of the electronic credit card case with a display screen.

See application file for complete search history.

FIG. 5 is a right side view of the electronic credit card case with a display screen.

(56) **References Cited**

**U.S. PATENT DOCUMENTS**

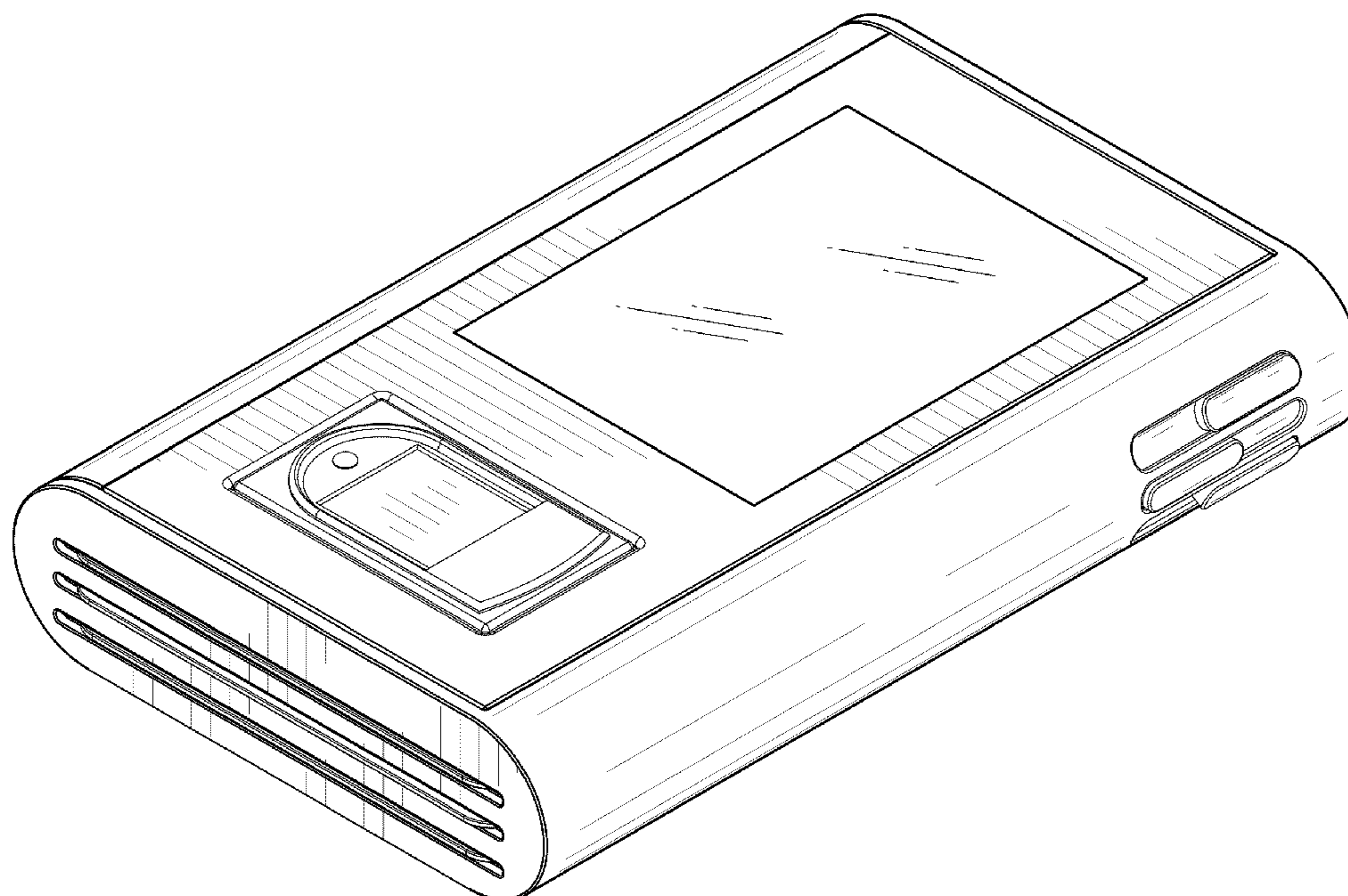
D550,453 S \* 9/2007 Ford ..... D3/247  
D553,856 S \* 10/2007 Shum ..... D3/247  
D557,497 S \* 12/2007 Fedon ..... D3/247  
D570,112 S \* 6/2008 McDowell et al. .... D3/247

FIG. 6 is a left side view of the of the electronic credit card case with a display screen.

FIG. 7 is a front view of the of the electronic credit card case with a display screen; and,

FIG. 8 is a rear view of the of the electronic credit card case with a display screen.

**1 Claim, 6 Drawing Sheets**



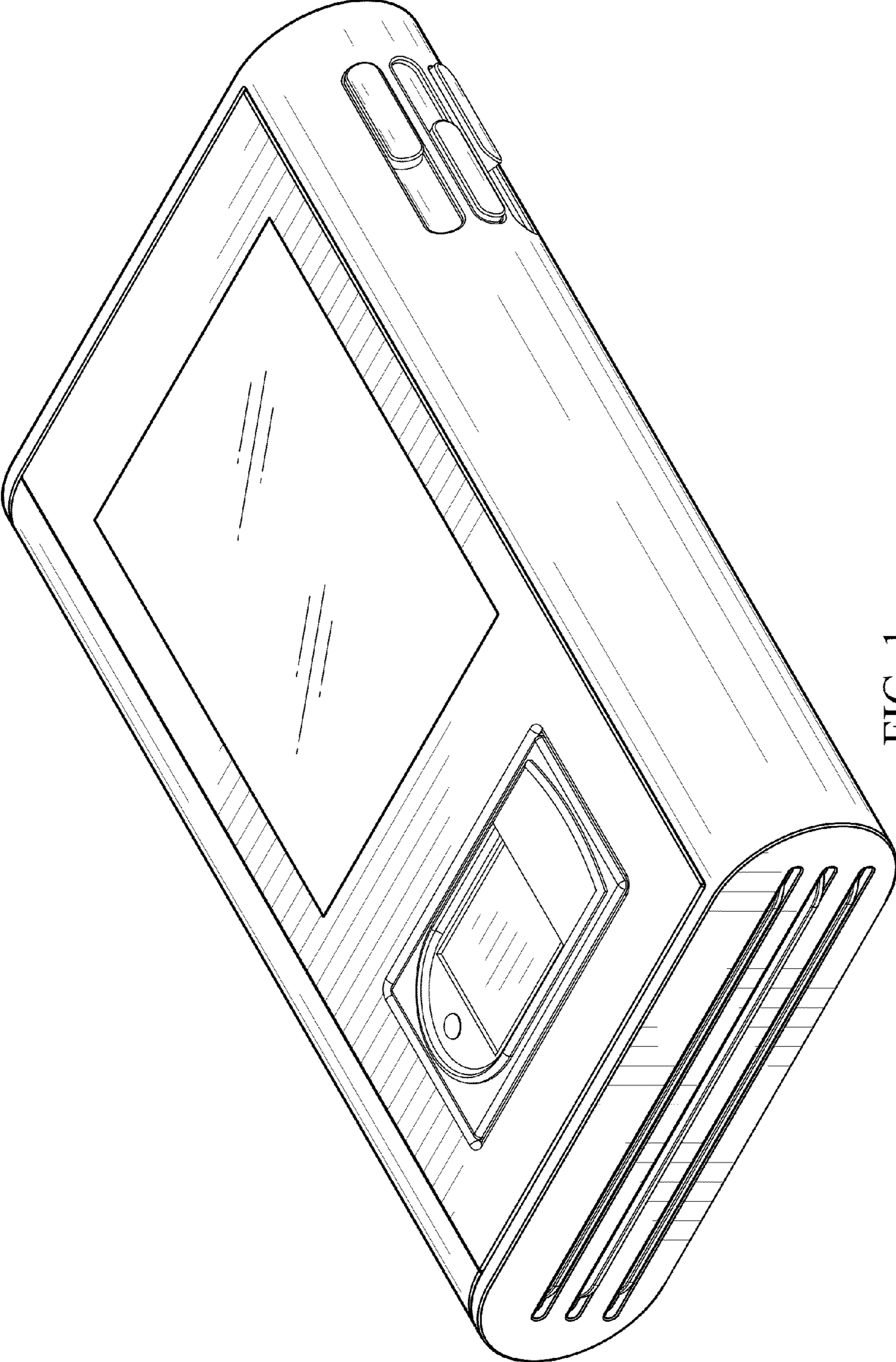


FIG. 1

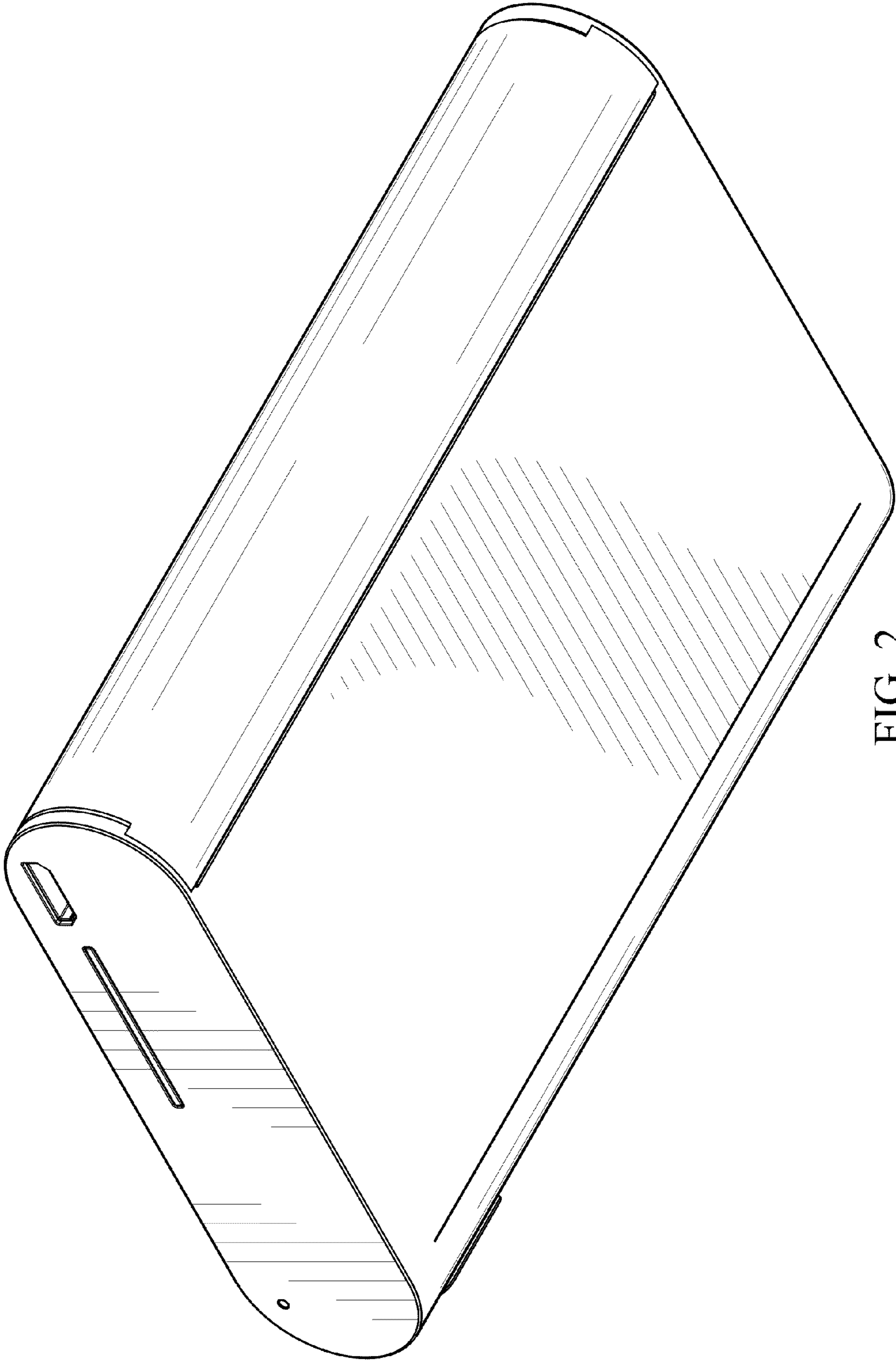


FIG. 2

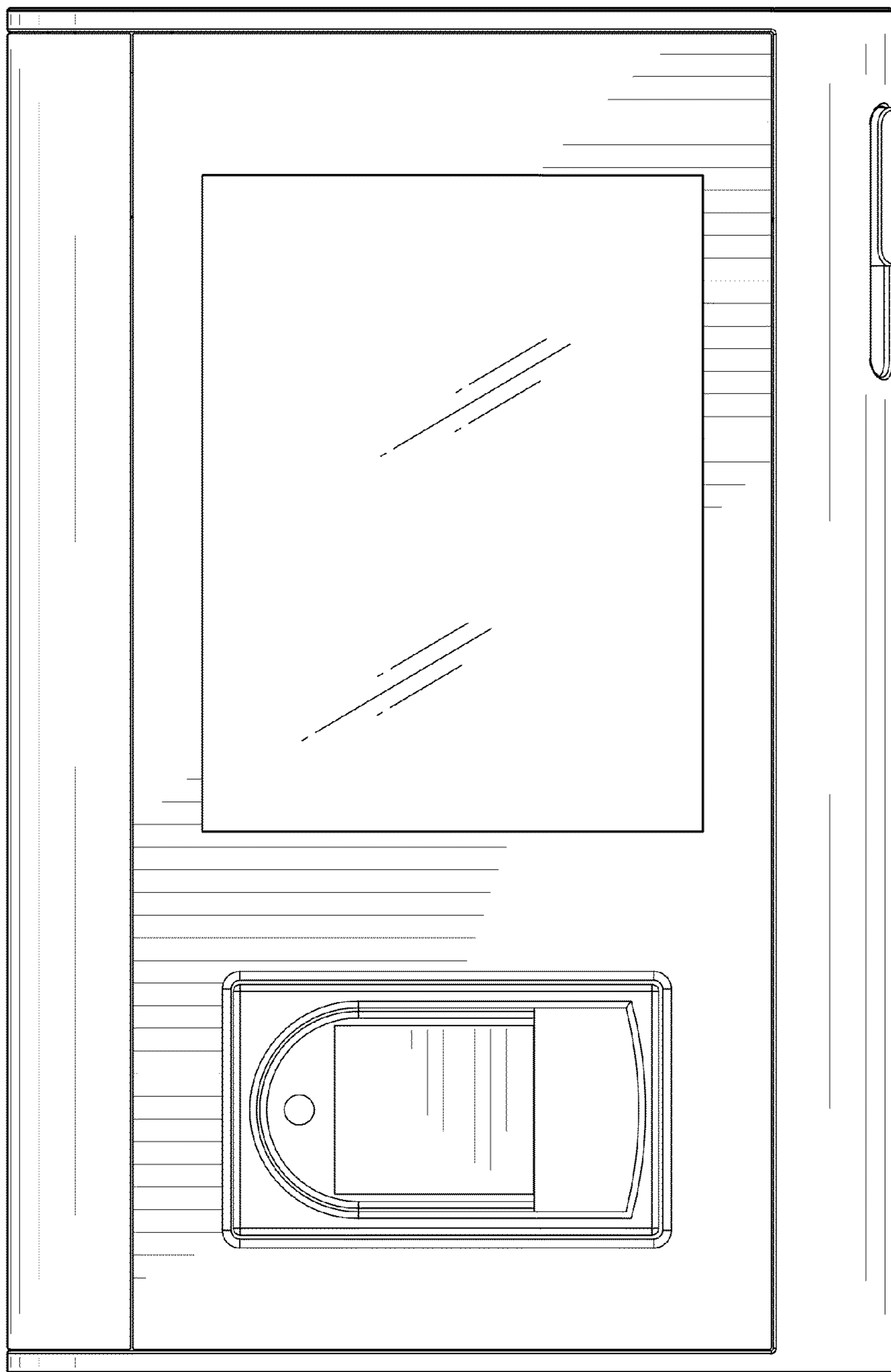


FIG. 3

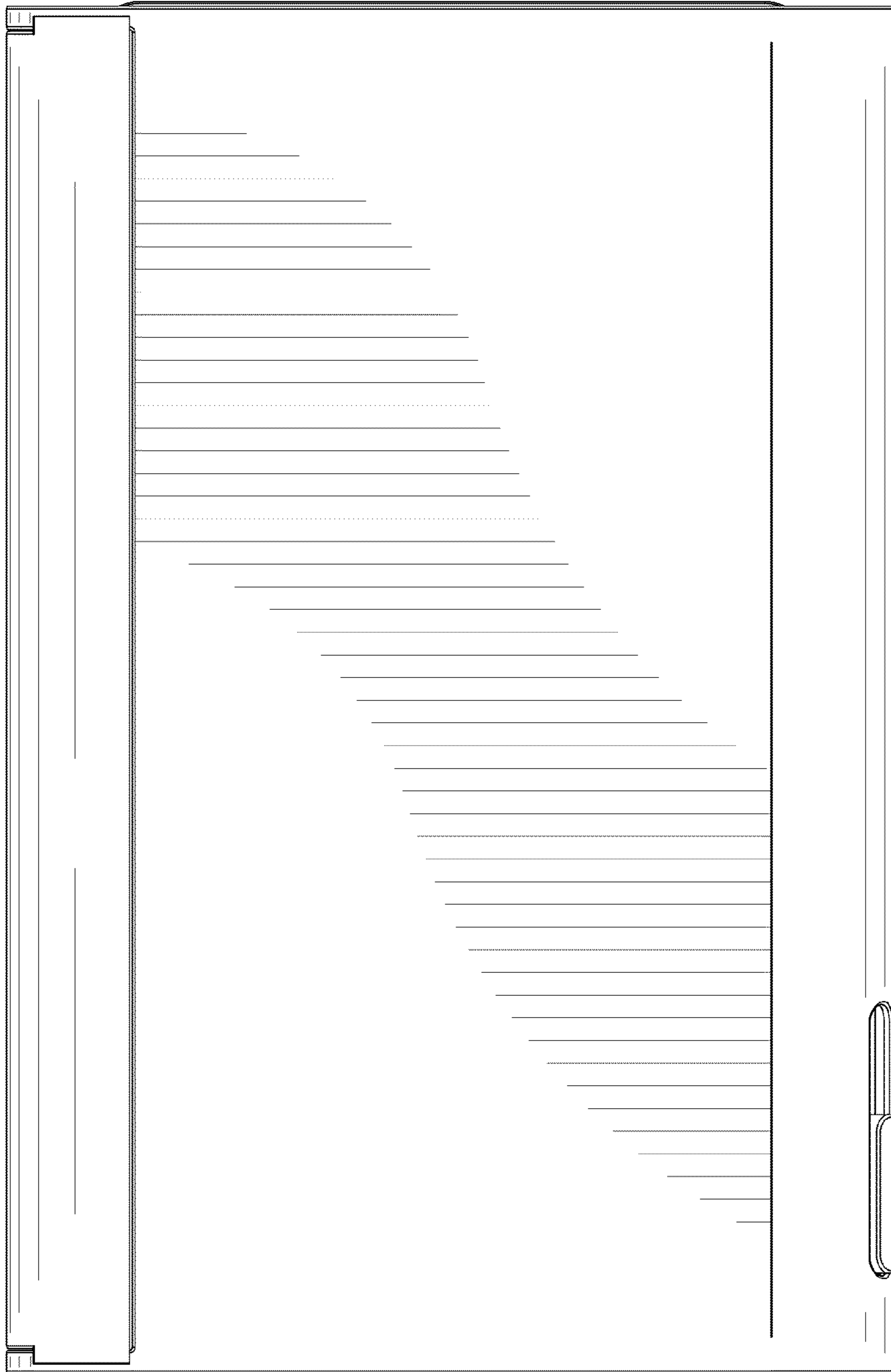


FIG. 4

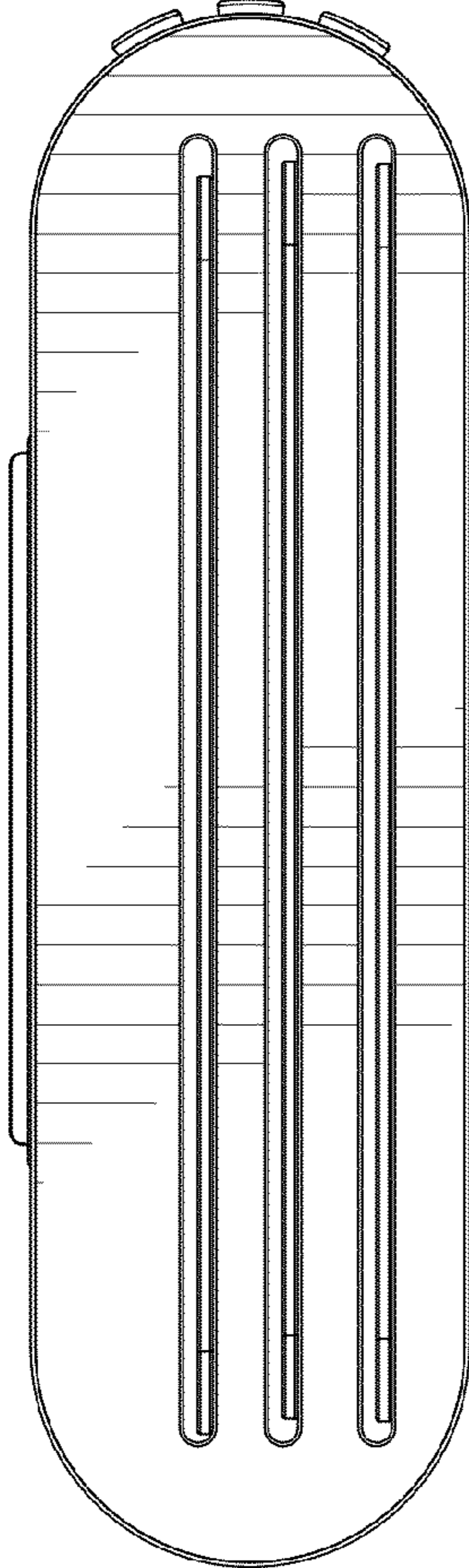


FIG. 5

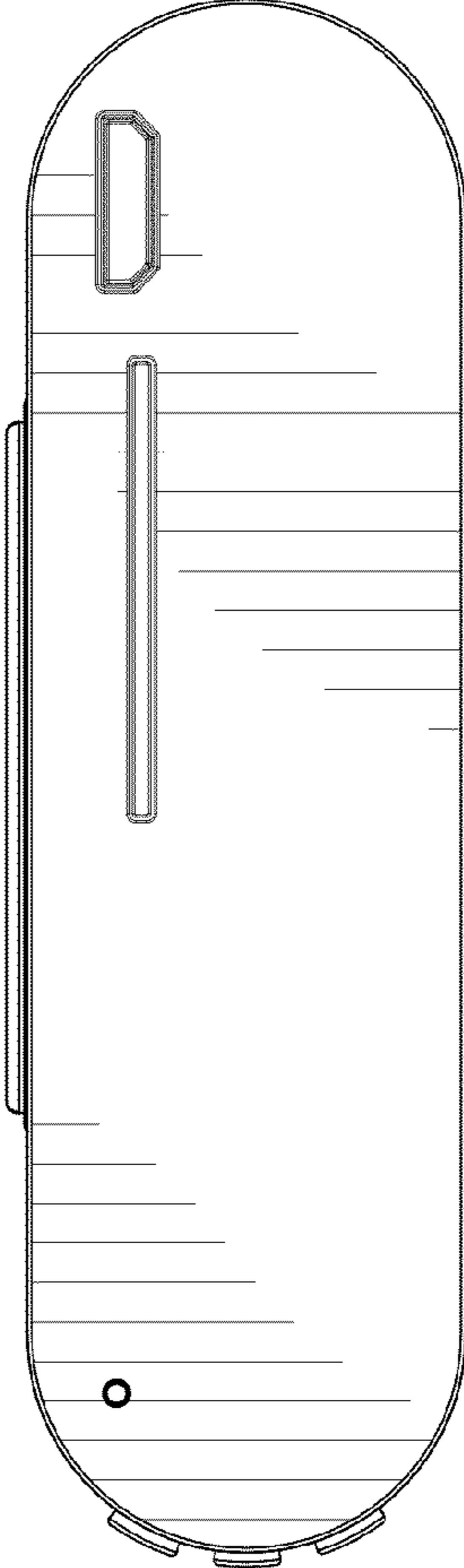


FIG. 6

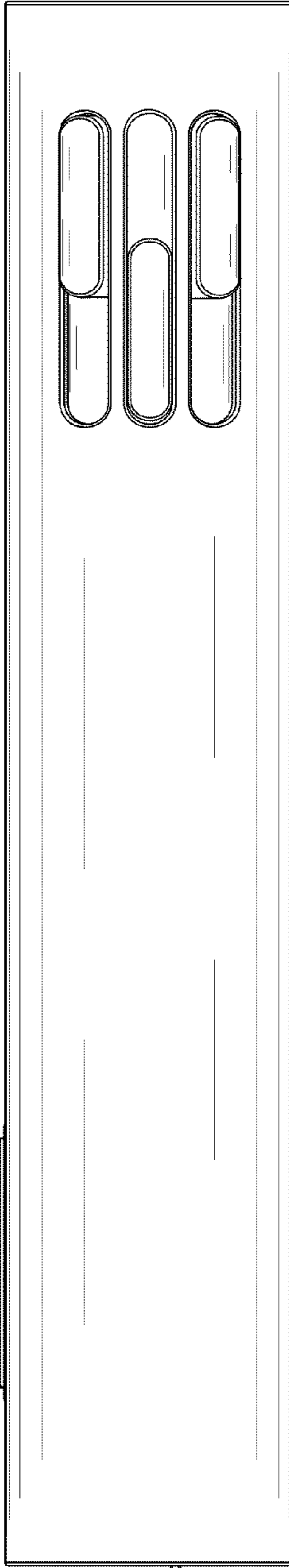


FIG. 7

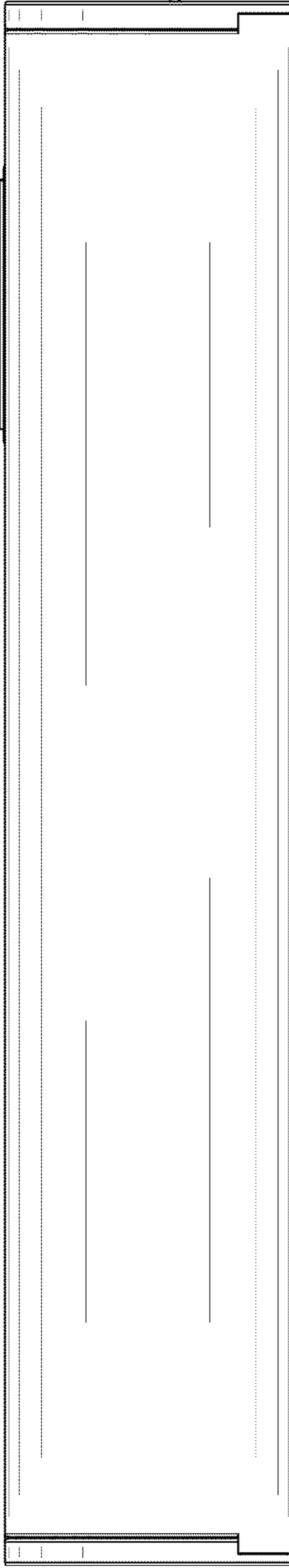


FIG. 8