

US00D697307S

(12) **United States Design Patent**
Crook

(10) **Patent No.:** **US D697,307 S**
(45) **Date of Patent:** **** Jan. 14, 2014**

(54) **PURSE ORGANIZER**

(71) Applicant: **Anita Crook**, Simpsonville, SC (US)

(72) Inventor: **Anita Crook**, Simpsonville, SC (US)

(**) Term: **14 Years**

(21) Appl. No.: **29/439,628**

(22) Filed: **Dec. 13, 2012**

(51) **LOC (10) Cl.** **03-01**

(52) **U.S. Cl.**
USPC **D3/245**

(58) **Field of Classification Search**
USPC D3/232–233, 240–243, 245–246;
150/100, 103–110, 113–114, 117–118
See application file for complete search history.

(56) **References Cited**

U.S. PATENT DOCUMENTS

D497,716 S * 11/2004 de Baschmakoff D3/241
D522,237 S * 6/2006 Stulman D3/241

D582,157 S * 12/2008 Gerbi D3/245

* cited by examiner

Primary Examiner — Holly Baynham

(74) *Attorney, Agent, or Firm* — Dority & Manning, P.A.

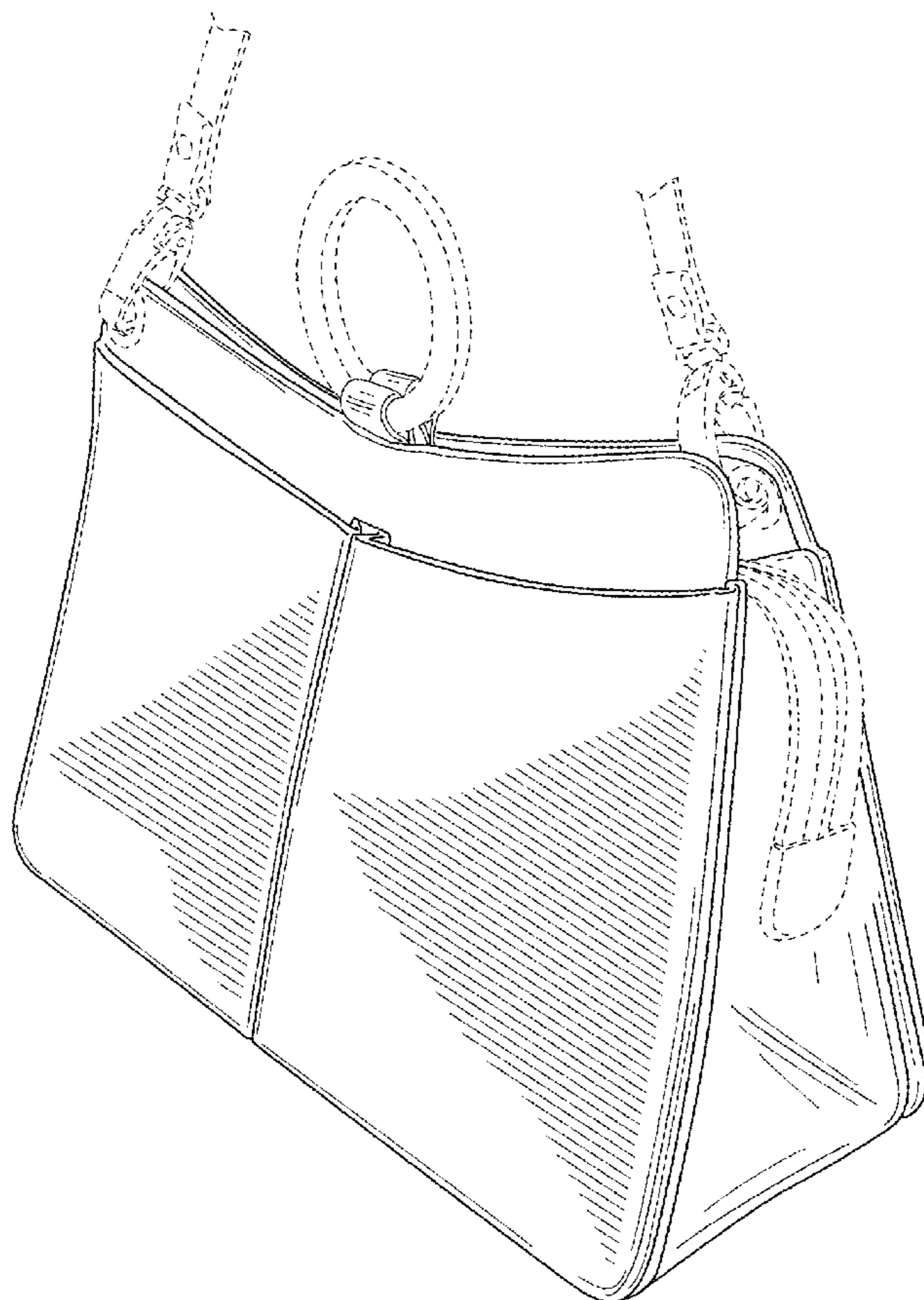
(57) **CLAIM**

The ornamental design for a purse organizer, as shown and described.

DESCRIPTION

FIG. 1 is a front perspective view of the purse organizer according to the present design;
FIG. 2 is a rear perspective view thereof;
FIG. 3 is a front view thereof;
FIG. 4 is a rear view thereof;
FIGS. 5 and 6 are side views thereof;
FIG. 7 is a top view thereof;
FIG. 8 is a bottom view thereof; and,
FIG. 9 is a top perspective view thereof; and,
FIG. 10 is another top perspective view thereof.
The broken lines showing zippers, partial handbag straps and handles are for the purpose of illustrating environment and form no part of the claimed design.

1 Claim, 8 Drawing Sheets



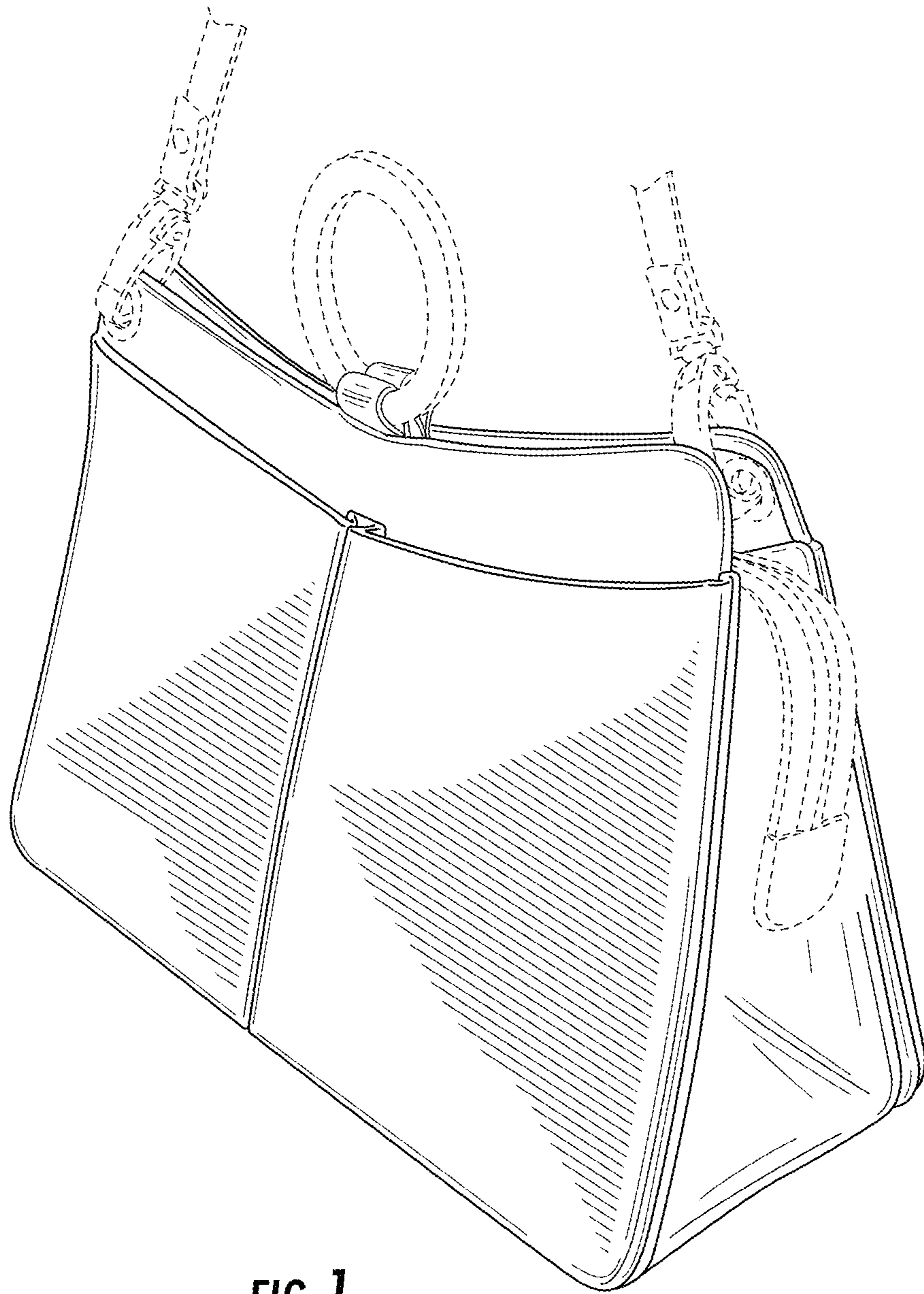


FIG. 1



FIG. 2

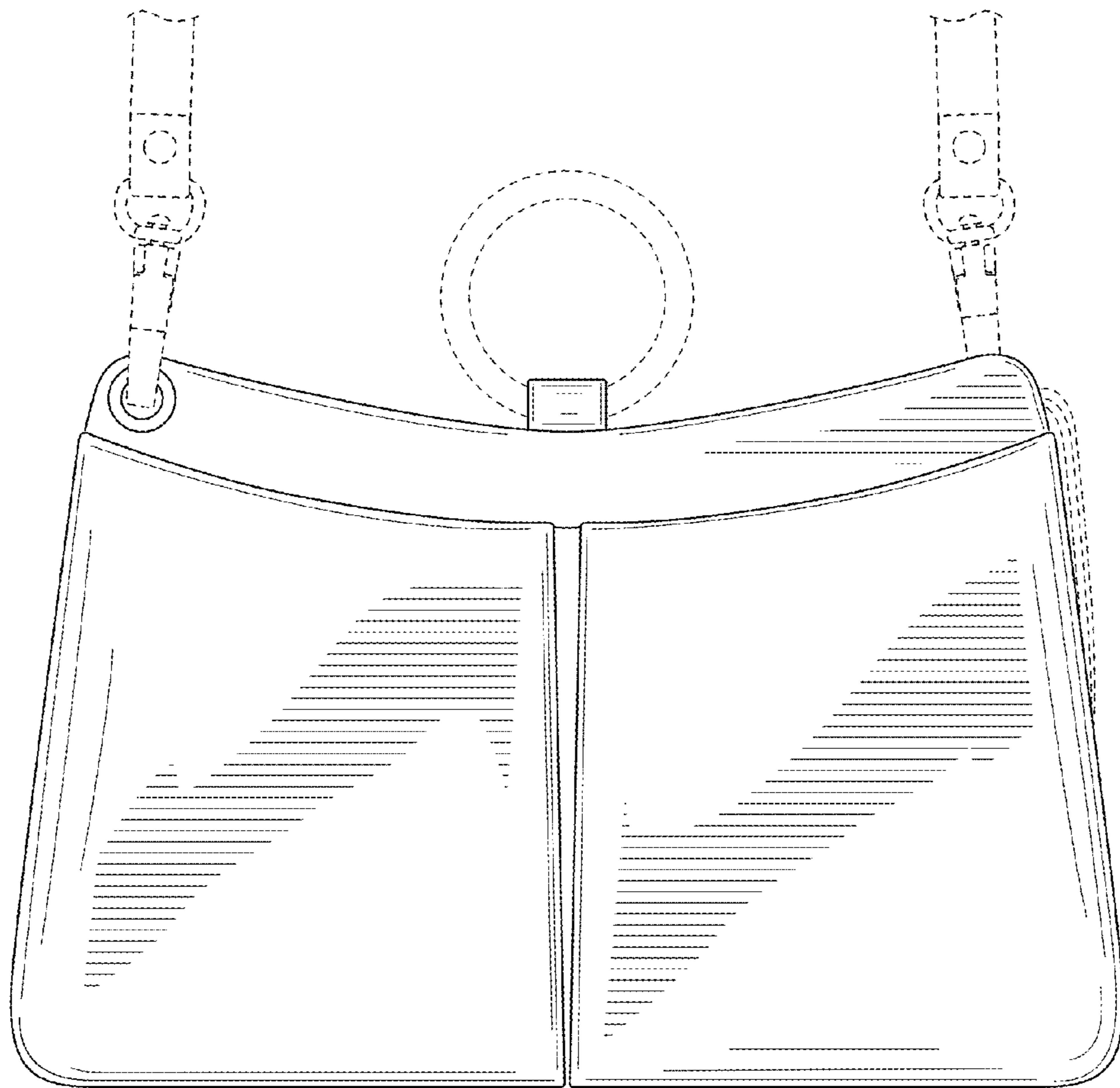


FIG. 3

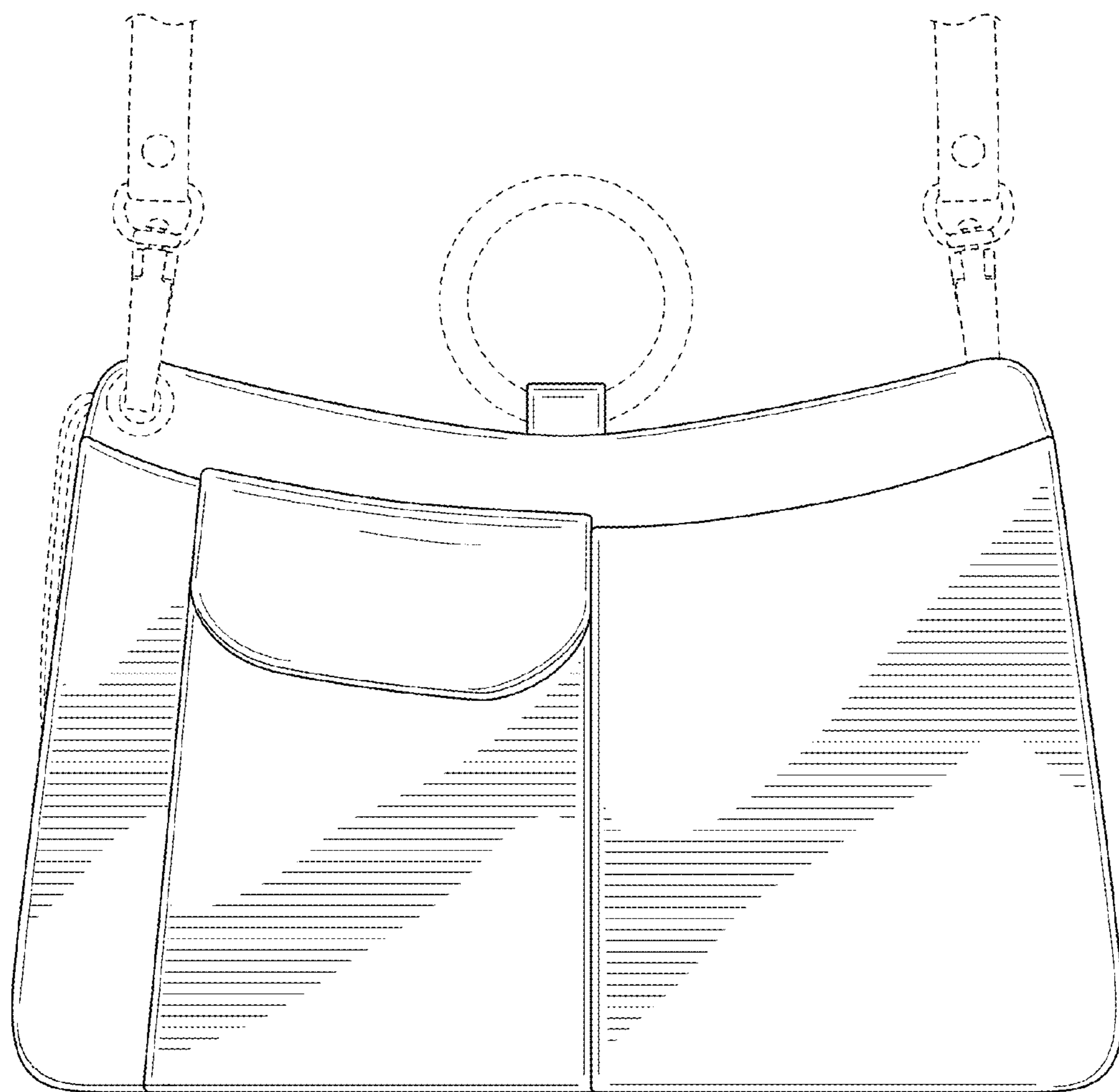


FIG. 4

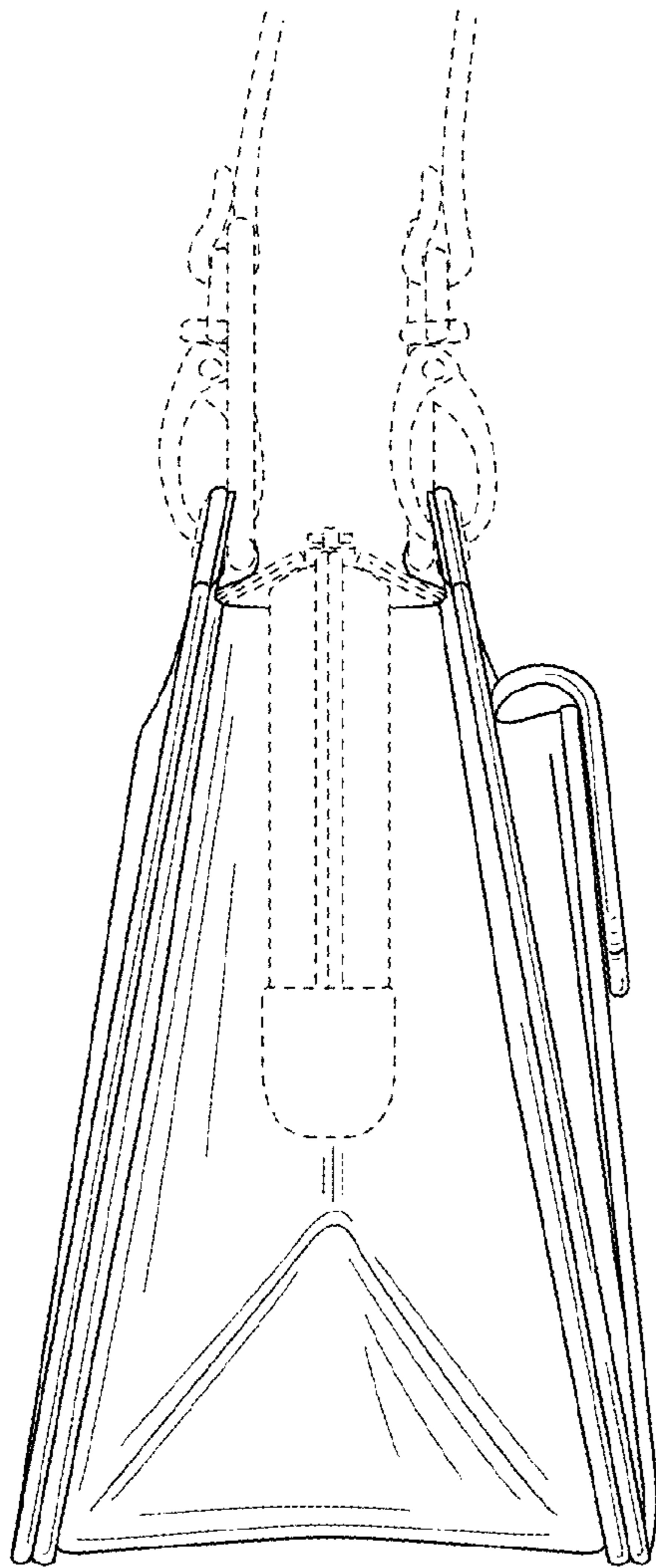


FIG. 5

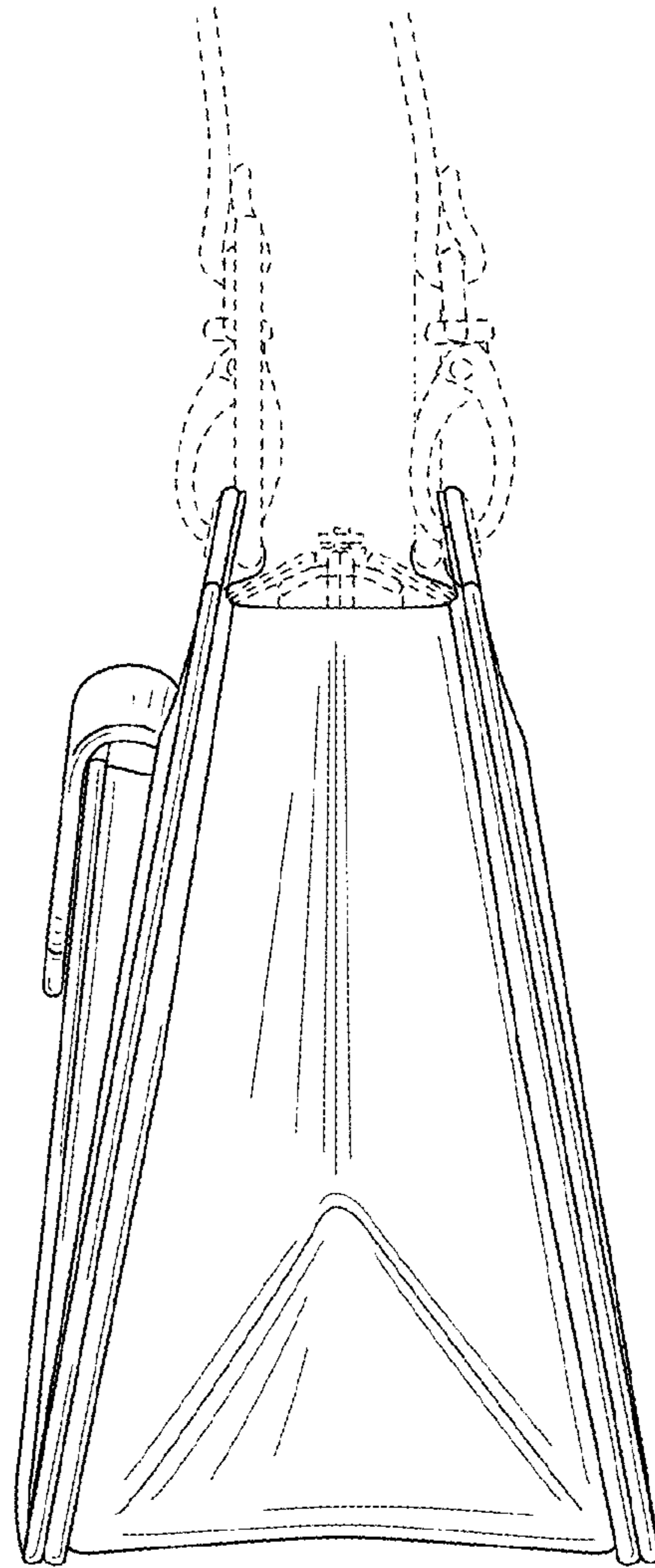


FIG. 6

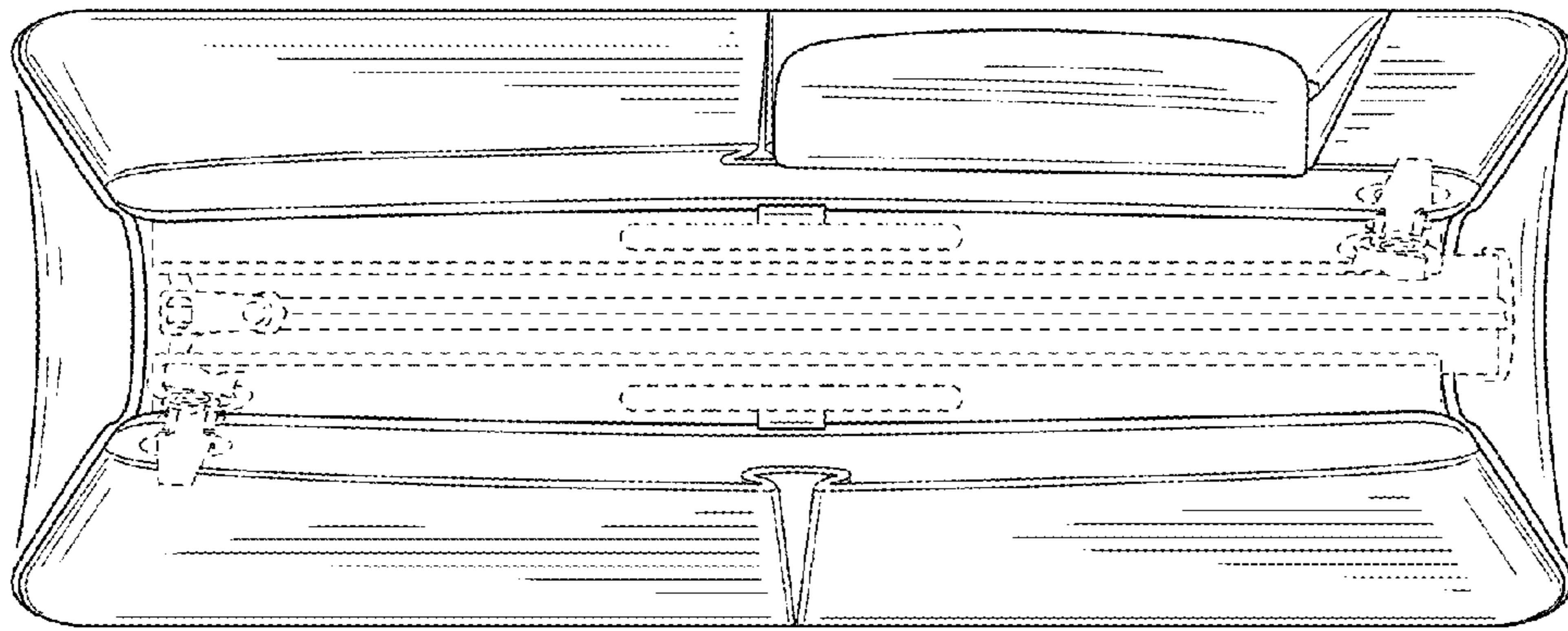


FIG. 7

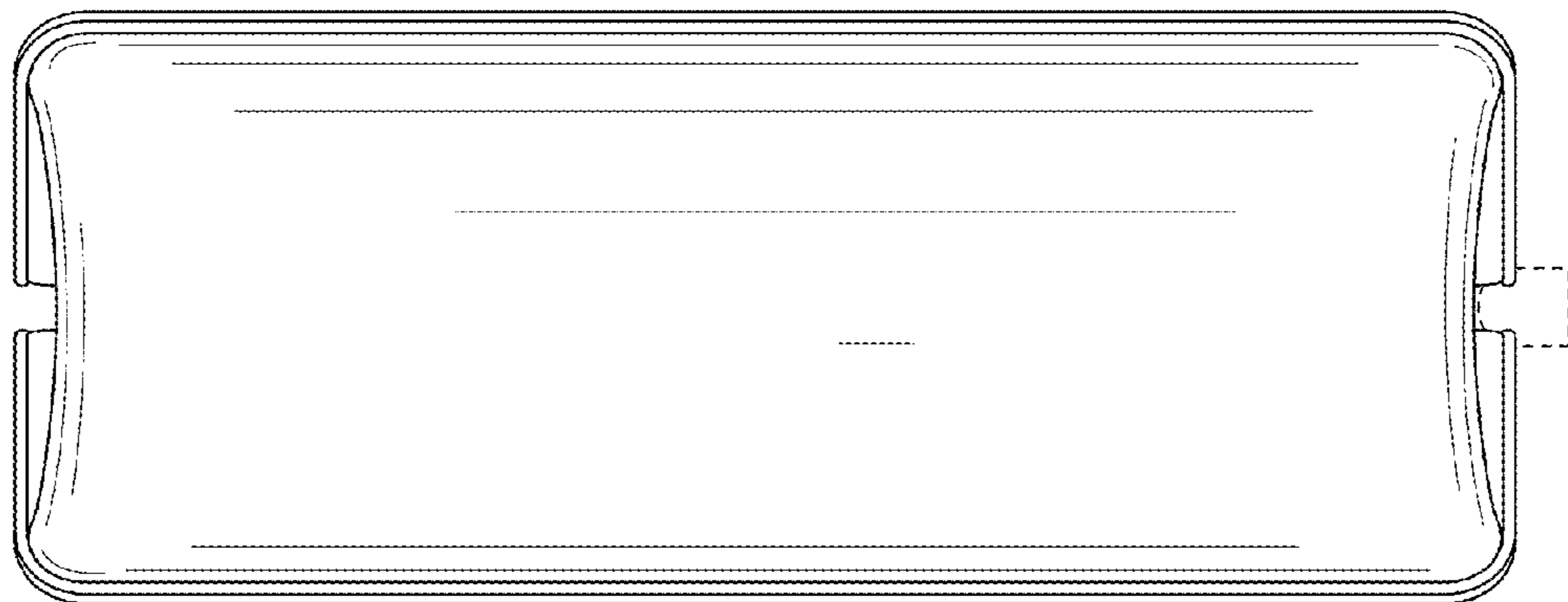


FIG. 8

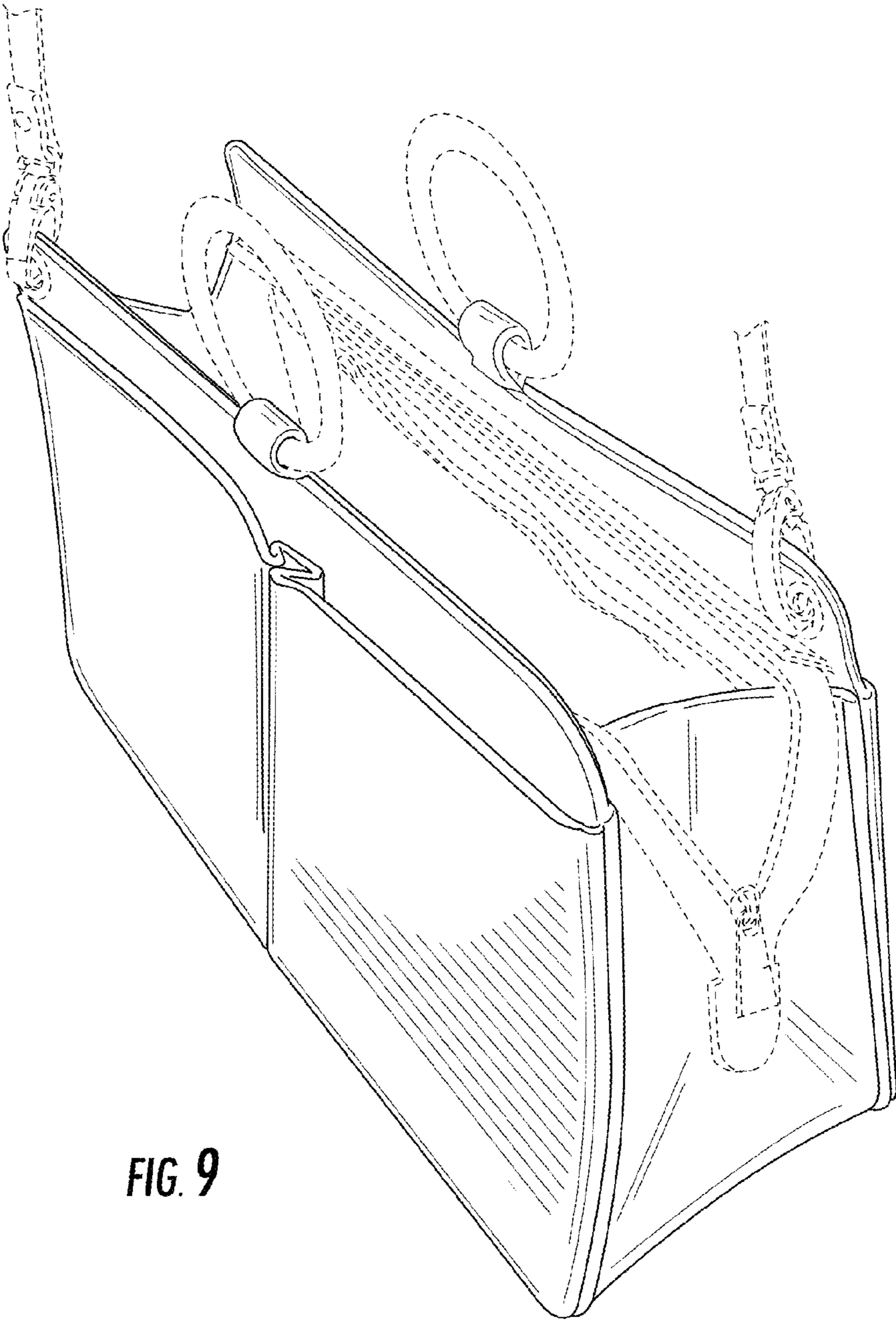


FIG. 9

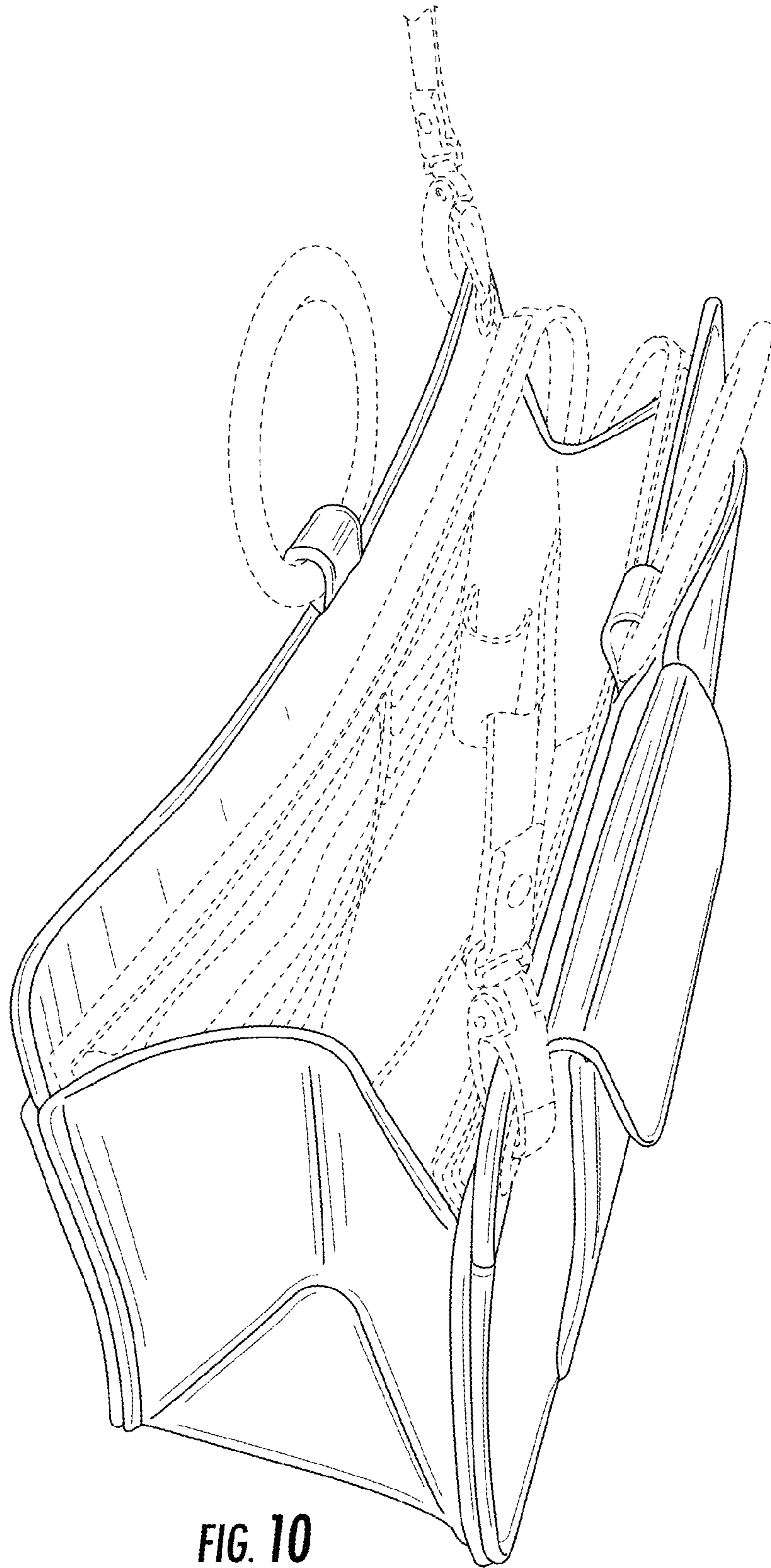


FIG. 10