



US00D697304S

(12) **United States Design Patent**  
**Westfall**

(10) **Patent No.:** **US D697,304 S**

(45) **Date of Patent:** **\*\* Jan. 14, 2014**

(54) **SPRING-LOADED REEL**

(76) Inventor: **Denise Westfall**, Greenville, CA (US)

(\*\*) Term: **14 Years**

(21) Appl. No.: **29/414,589**

(22) Filed: **Feb. 29, 2012**

(51) **LOC (10) Cl.** ..... **03-01**

(52) **U.S. Cl.**  
USPC ..... **D3/215**

(58) **Field of Classification Search**  
USPC ..... D3/215, 207-212, 228; 40/1.5, 1.6,  
40/586, 661.04, 661.05; 24/3.1, 3.6, 3.11,  
24/3.12, 3.13; 431/253; 242/379.2, 385.4,  
242/404.1, 404.3; 70/456 R; D8/34  
See application file for complete search history.

(56) **References Cited**

**U.S. PATENT DOCUMENTS**

5,938,137	A *	8/1999	Poulson	.....	242/379.2
D478,722	S *	8/2003	Parker	.....	D3/215
6,641,390	B2 *	11/2003	Genuise	.....	431/253
D498,358	S *	11/2004	Wolff	.....	D3/215
D514,311	S *	2/2006	Cetera	.....	D3/215
D539,528	S *	4/2007	Hastings	.....	D3/215
D555,447	S *	11/2007	Bhavnani et al.	.....	D8/34

7,380,357	B2 *	6/2008	Jones et al.	.....	40/1.5
D619,499	S *	7/2010	Weyer et al.	.....	D11/221
D623,848	S *	9/2010	Hirvimaki	.....	D3/207
D642,376	S *	8/2011	Pennington	.....	D3/215
D685,986	S *	7/2013	Lazott et al.	.....	D3/215

\* cited by examiner

*Primary Examiner* — Catheri Oliver-Garcia

(74) *Attorney, Agent, or Firm* — Timothy M. Brown, Esq.

(57) **CLAIM**

The ornamental design for a spring-loaded reel, as shown and described.

**DESCRIPTION**

FIG. 1 is a perspective view of the spring loaded reel showing the new design;

FIG. 2 is a front view thereof.

FIG. 3 is rear view thereof.

FIG. 4 is a right side view thereof.

FIG. 5 is a left side view thereof.

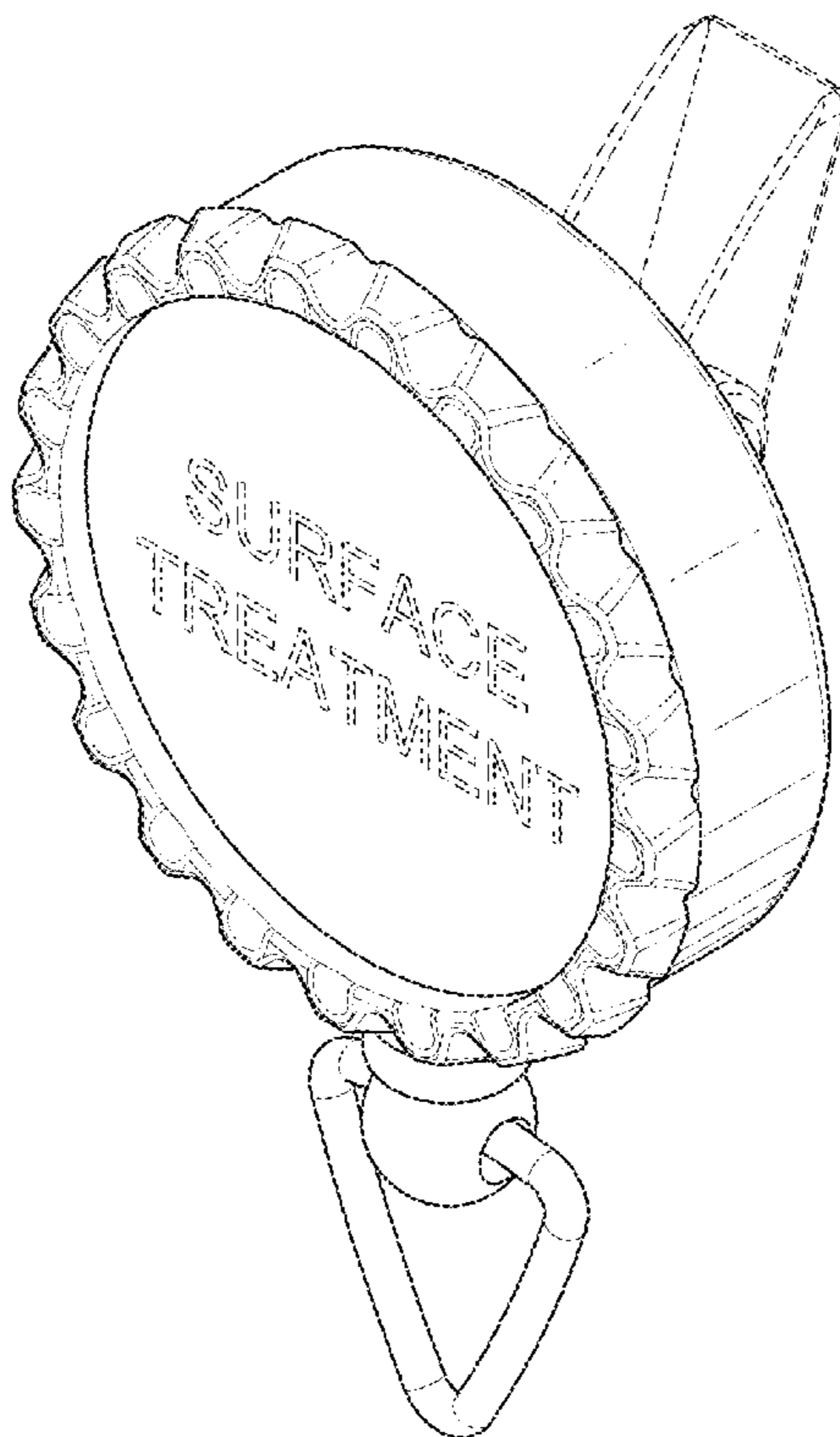
FIG. 6 is a top view thereof.

FIG. 7 is a bottom view thereof; and,

FIG. 8 is a perspective view thereof.

The broken lines showing an attaching clip and surface treatment are for illustrative purposes only and form no part of the claimed design.

**1 Claim, 6 Drawing Sheets**



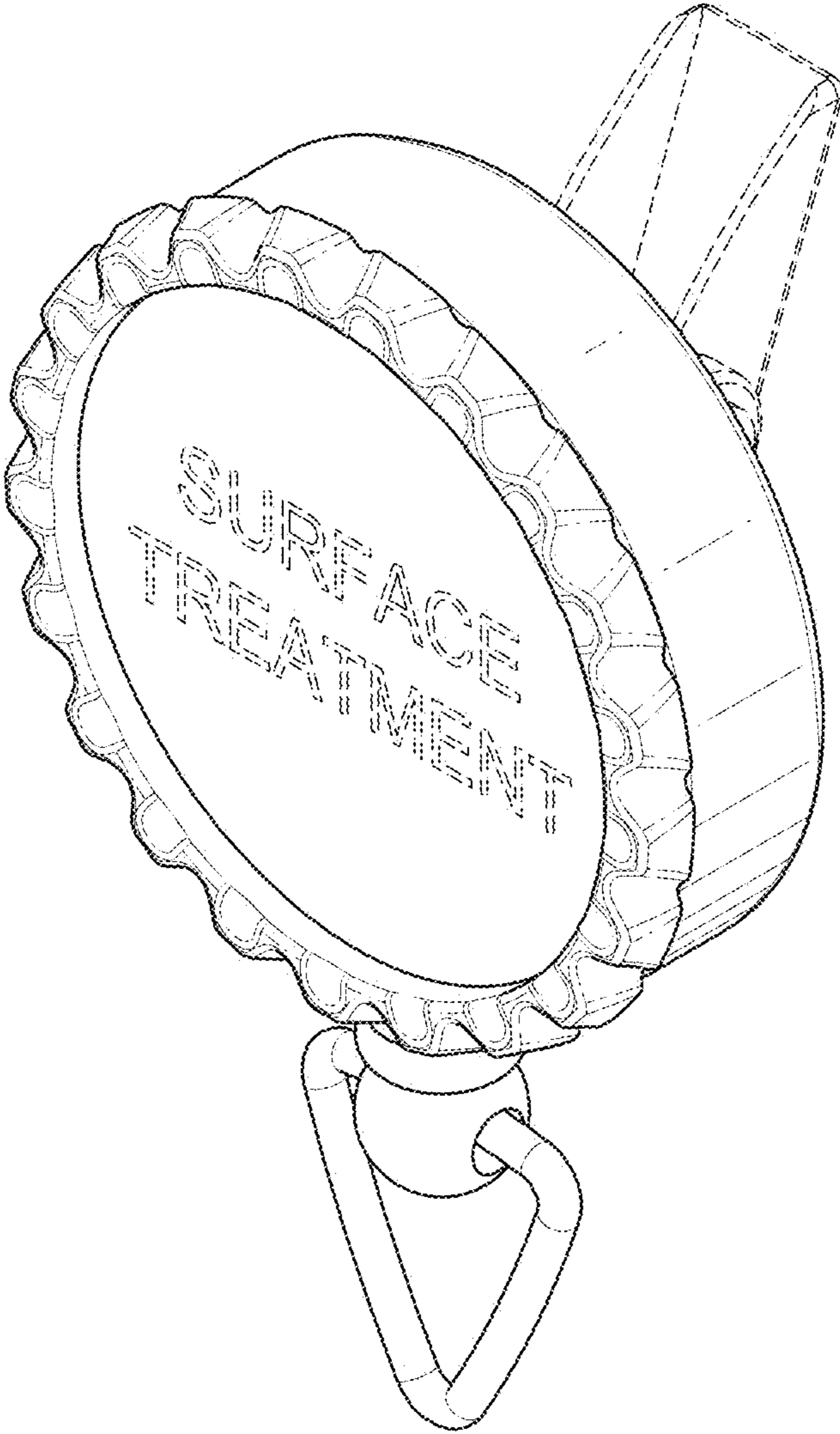
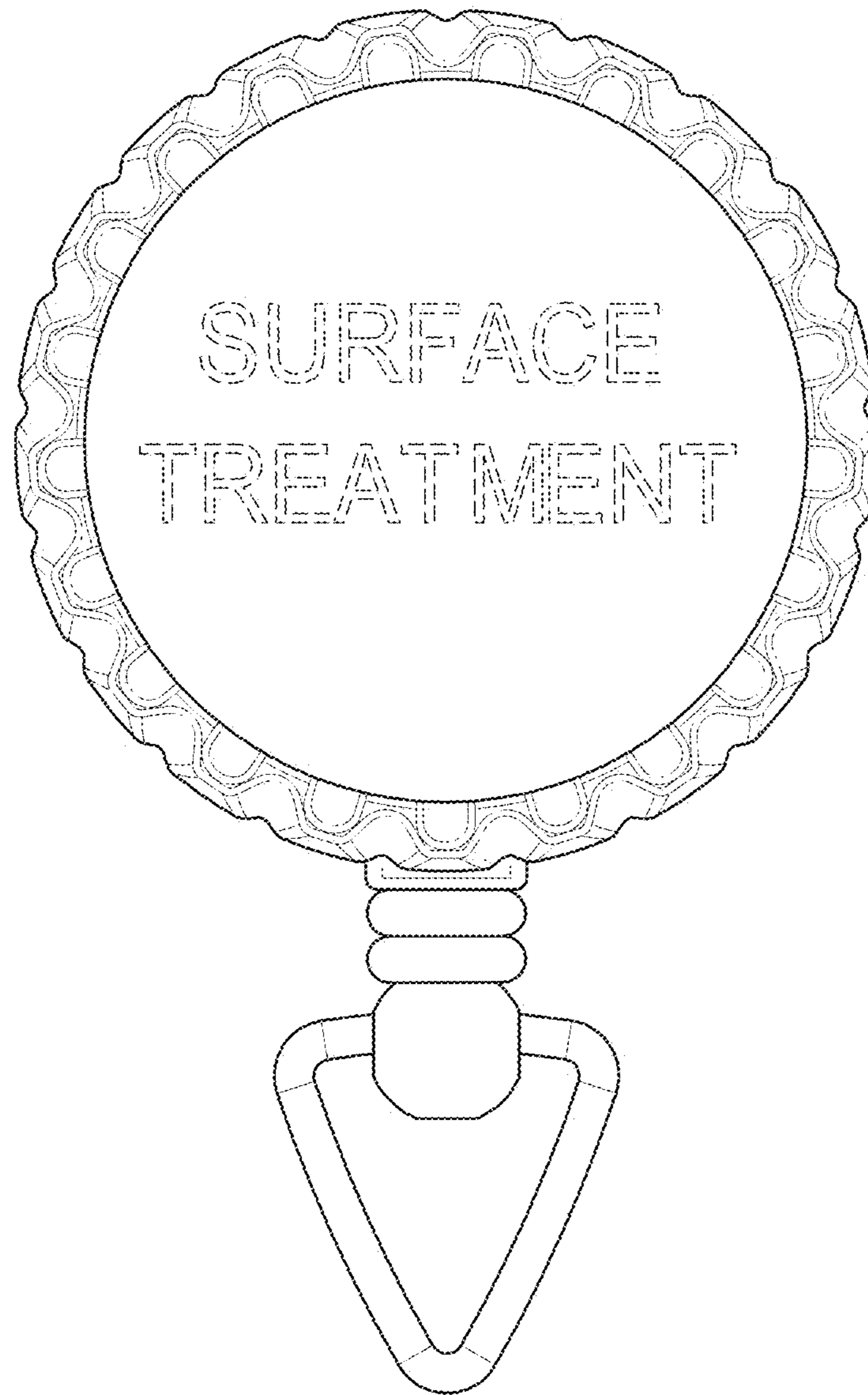
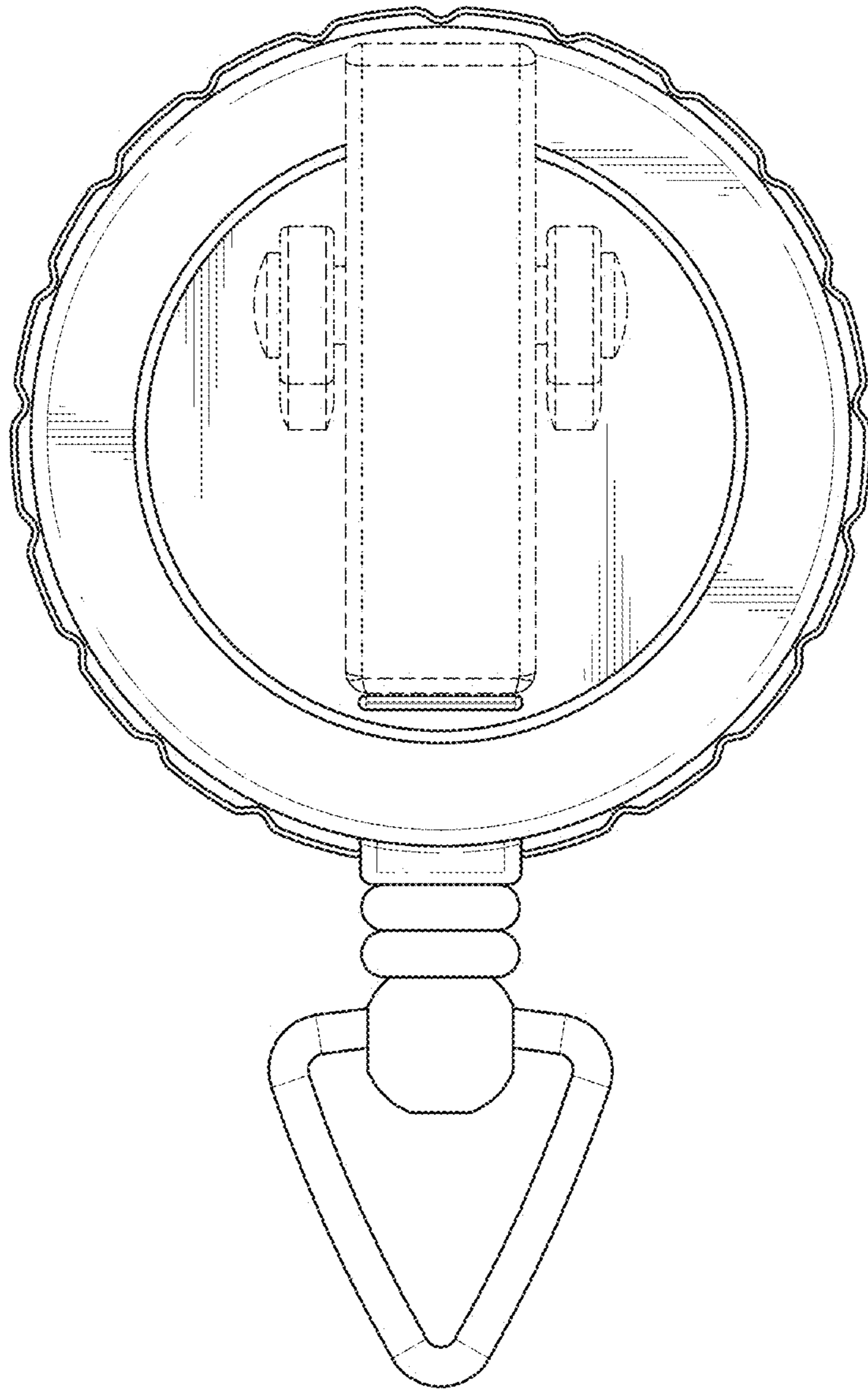


FIG. 1



*FIG. 2*



*FIG. 3*

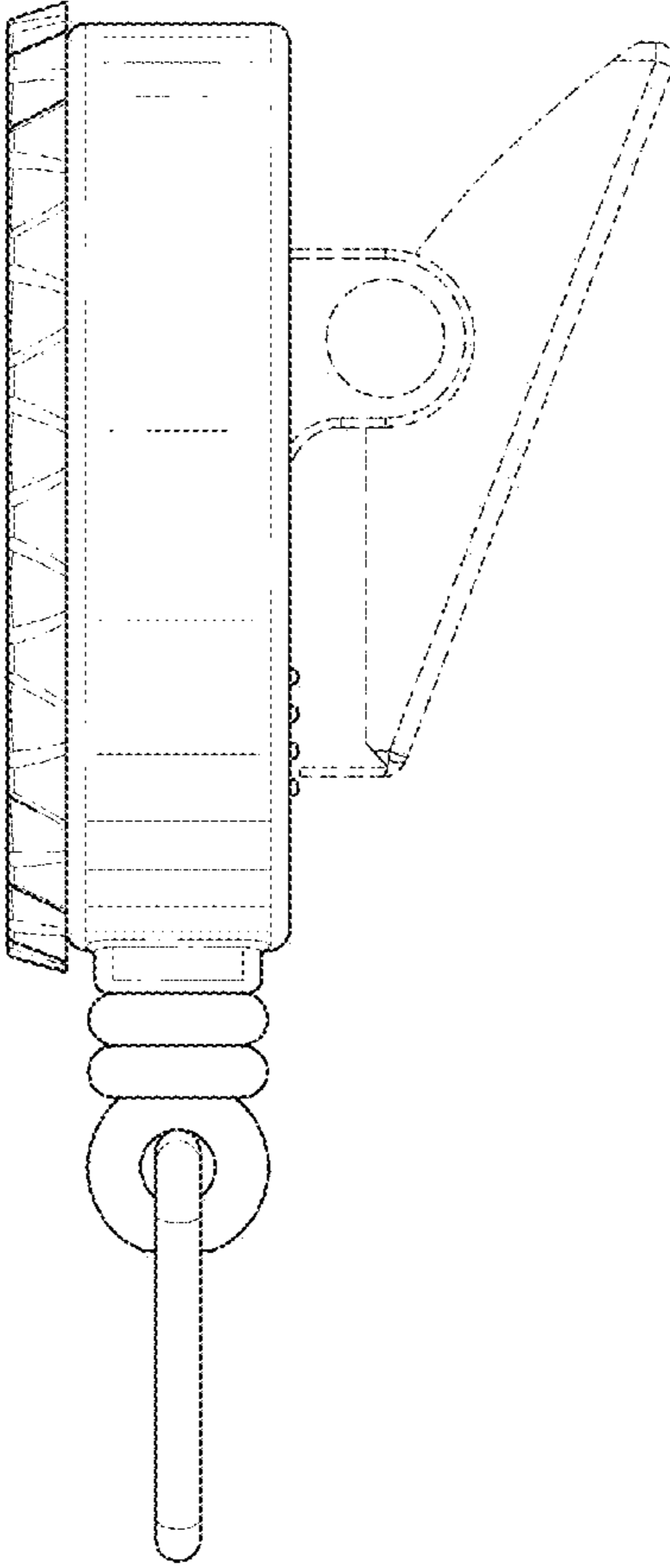


FIG. 4

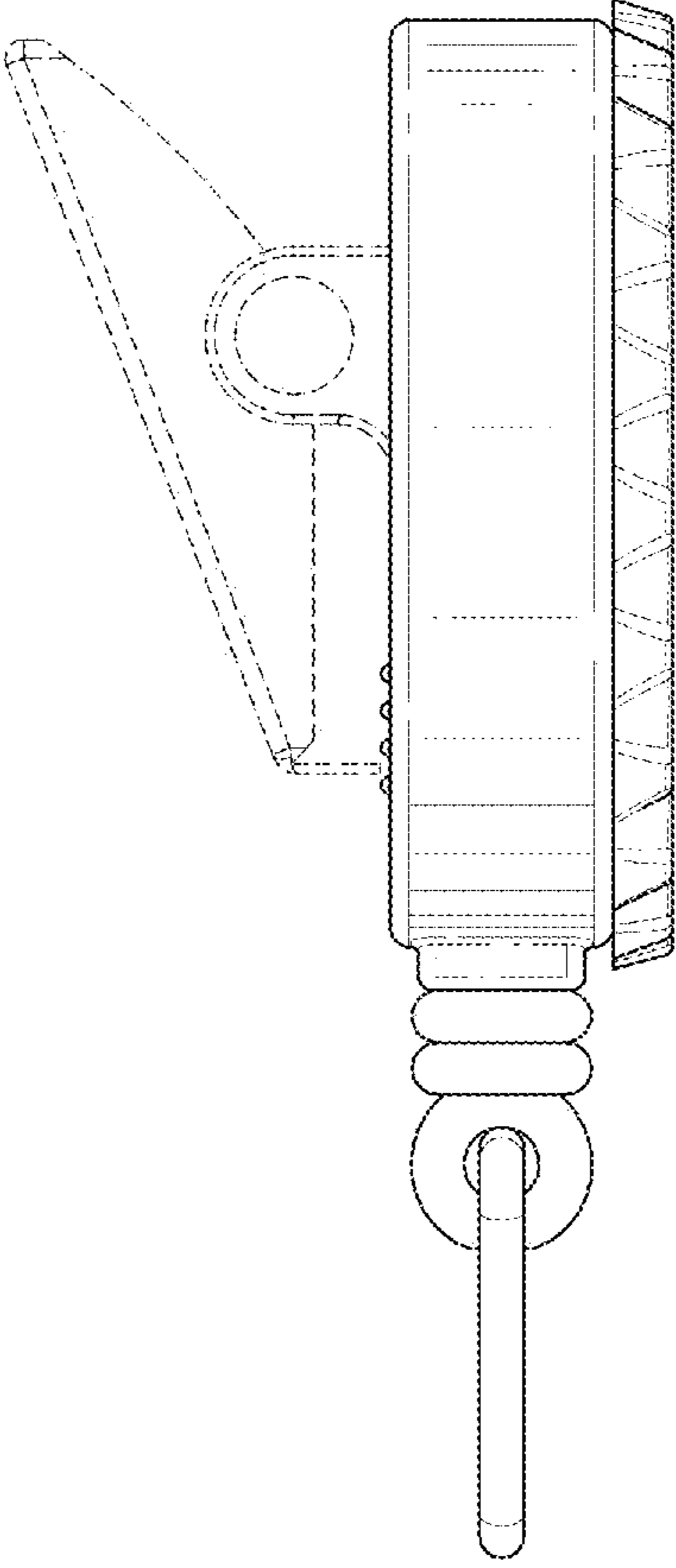
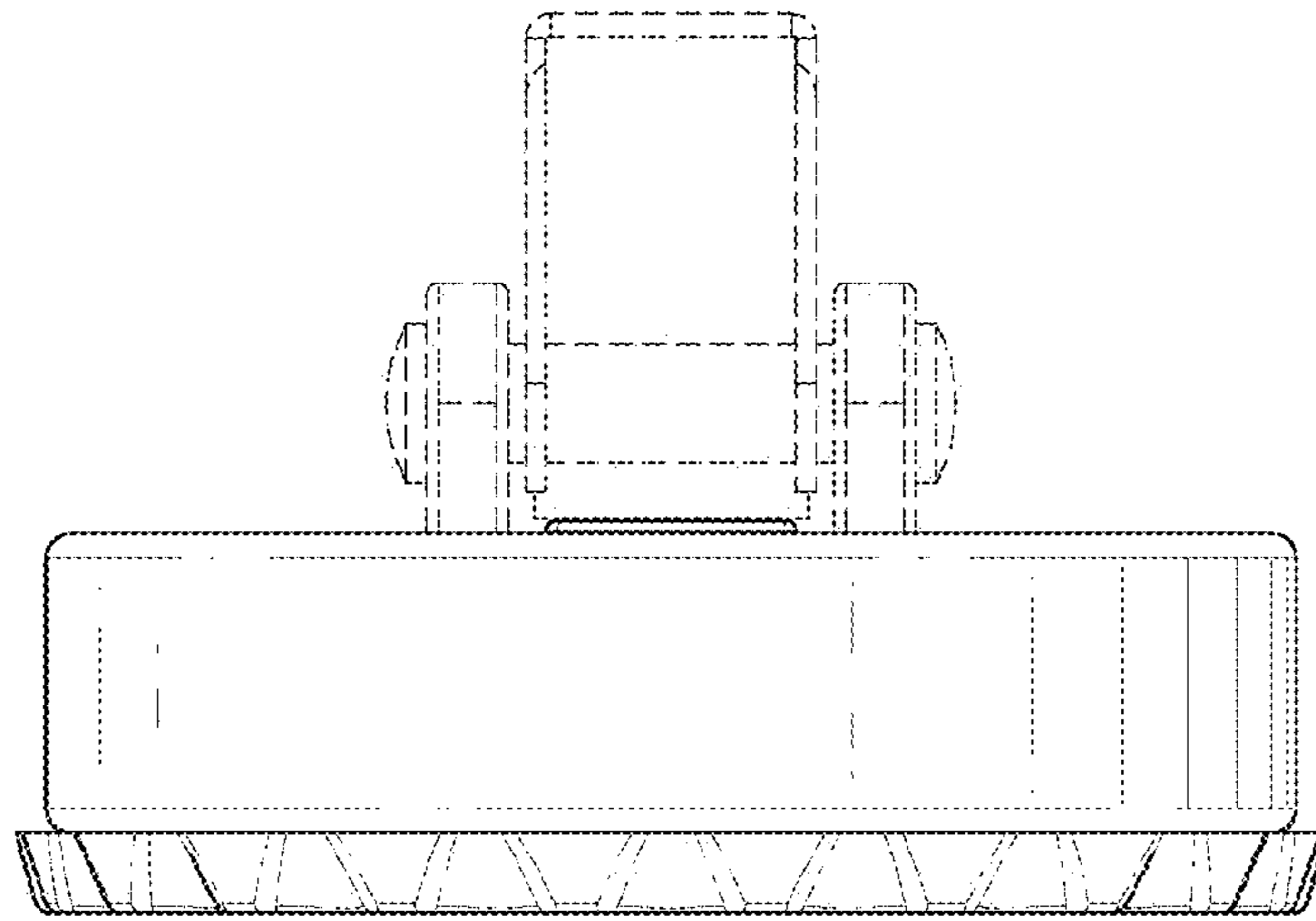
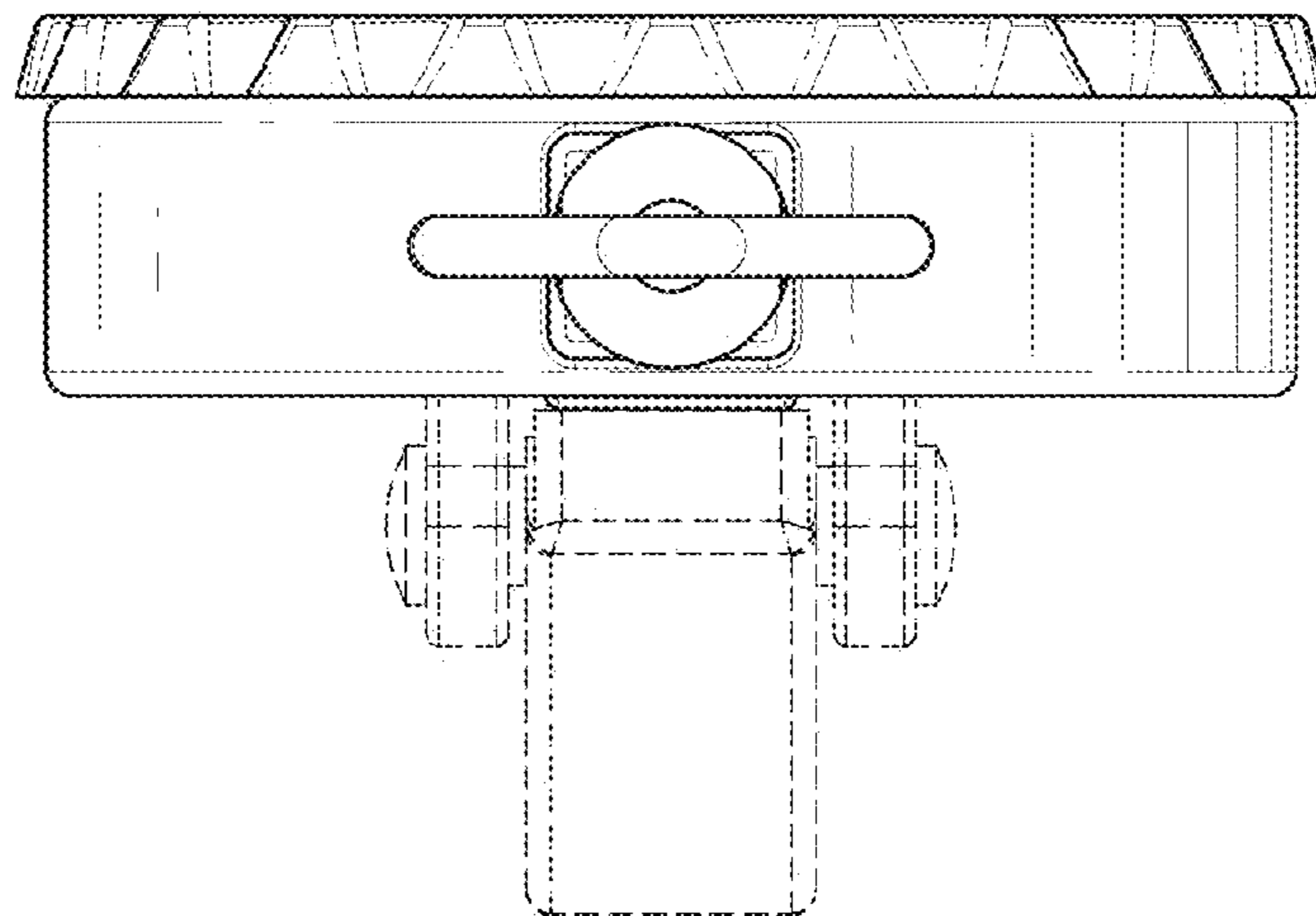


FIG. 5



*FIG. 6*



*FIG. 7*

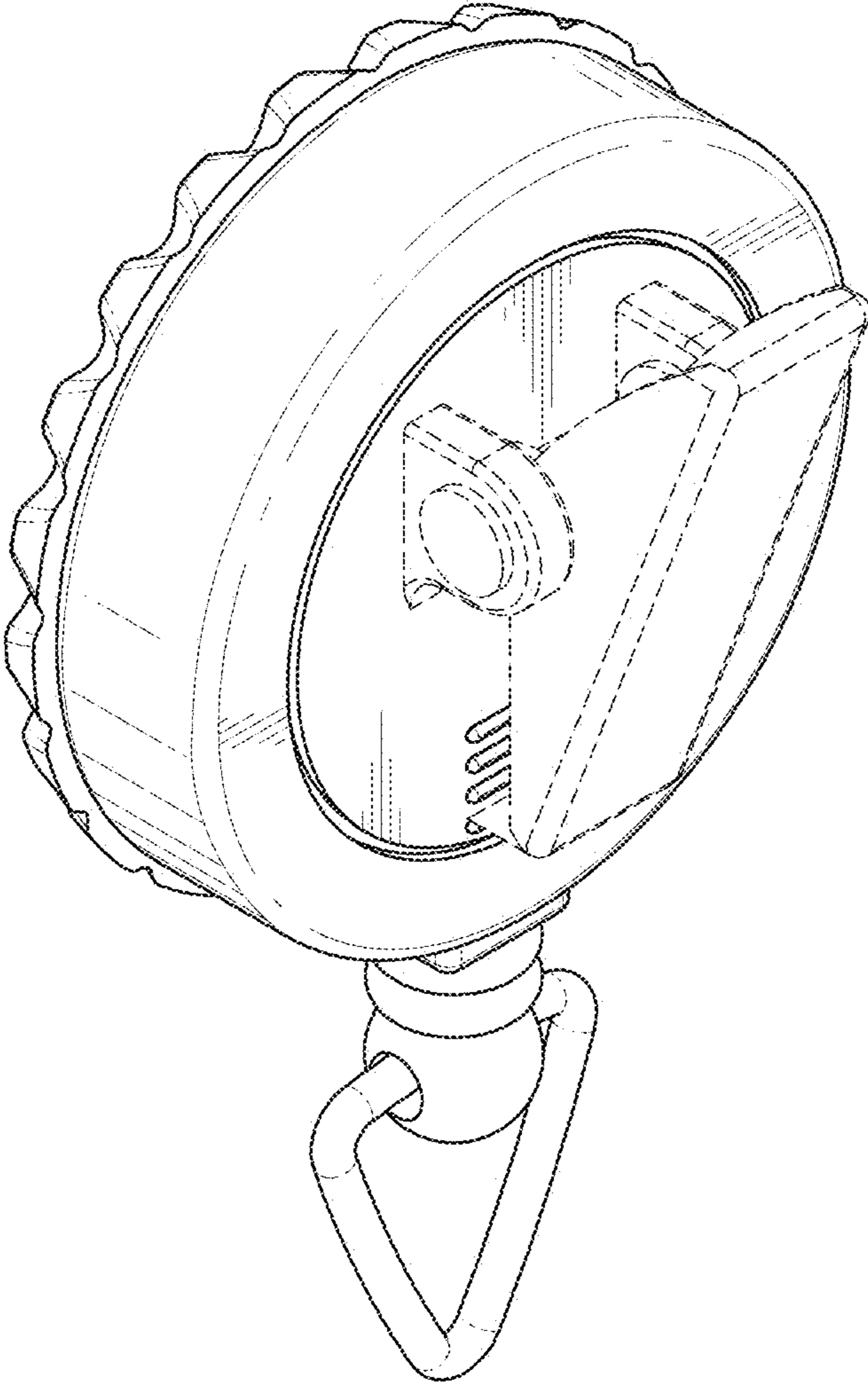


FIG. 8