



US00D697303S

(12) **United States Design Patent**
Priebe et al.

(10) **Patent No.:** **US D697,303 S**
(45) **Date of Patent:** **** Jan. 14, 2014**

(54) **PILL CONTAINER**

D528,288 S 9/2006 Coe et al.
D544,202 S * 6/2007 Markfelder D3/203.3
7,387,207 B2 6/2008 Priebe et al.

(71) Applicant: **Apothecary Products, Inc.**, Burnsville,
MN (US)

(Continued)

(72) Inventors: **Robert N. Priebe**, Bloomington, MI
(US); **Terrance O. Noble**, Burnsville,
MN (US)

OTHER PUBLICATIONS

Photos of pill boxes, in public use before May 11, 2012.

(Continued)

(73) Assignee: **Apothecary Products, Inc.**, Burnsville,
MN (US)

Primary Examiner — Catheri Oliver-Garcia

(74) *Attorney, Agent, or Firm* — Merchant & Gould P.C.

(**) Term: **14 Years**

(57) **CLAIM**

The ornamental design for pill container, as shown and described.

(21) Appl. No.: **29/447,976**

DESCRIPTION

(22) Filed: **Mar. 8, 2013**

(51) **LOC (10) Cl.** **03-01**

(52) **U.S. Cl.**
USPC **D3/203.3**

(58) **Field of Classification Search**
USPC D3/201–205, 264; 206/532–540;
D10/40
See application file for complete search history.

FIG. 1 is a perspective view of a first embodiment of a pill container, according to our design;

FIG. 2 is a front view thereof;

FIG. 3 is a rear view thereof;

FIG. 4 is a right view thereof;

FIG. 5 is a left view thereof;

FIG. 6 is a top view thereof;

FIG. 7 is a bottom view thereof;

FIG. 8 is a perspective view of a second embodiment of a pill container, according to our new design, the portions shown in broken lines forming no part of the design sought to be patented;

FIG. 9 is a front view thereof, the portions shown in broken lines forming no part of the design sought to be patented;

FIG. 10 is a rear view thereof, the portions shown in broken lines forming no part of the design sought to be patented;

FIG. 11 is a right view thereof, the portions shown in broken lines forming no part of the design sought to be patented;

FIG. 12 is a left view thereof, the portions shown in broken lines forming no part of the design sought to be patented;

FIG. 13 is a top view thereof, the portions shown in broken lines forming no part of the design sought to be patented; and,

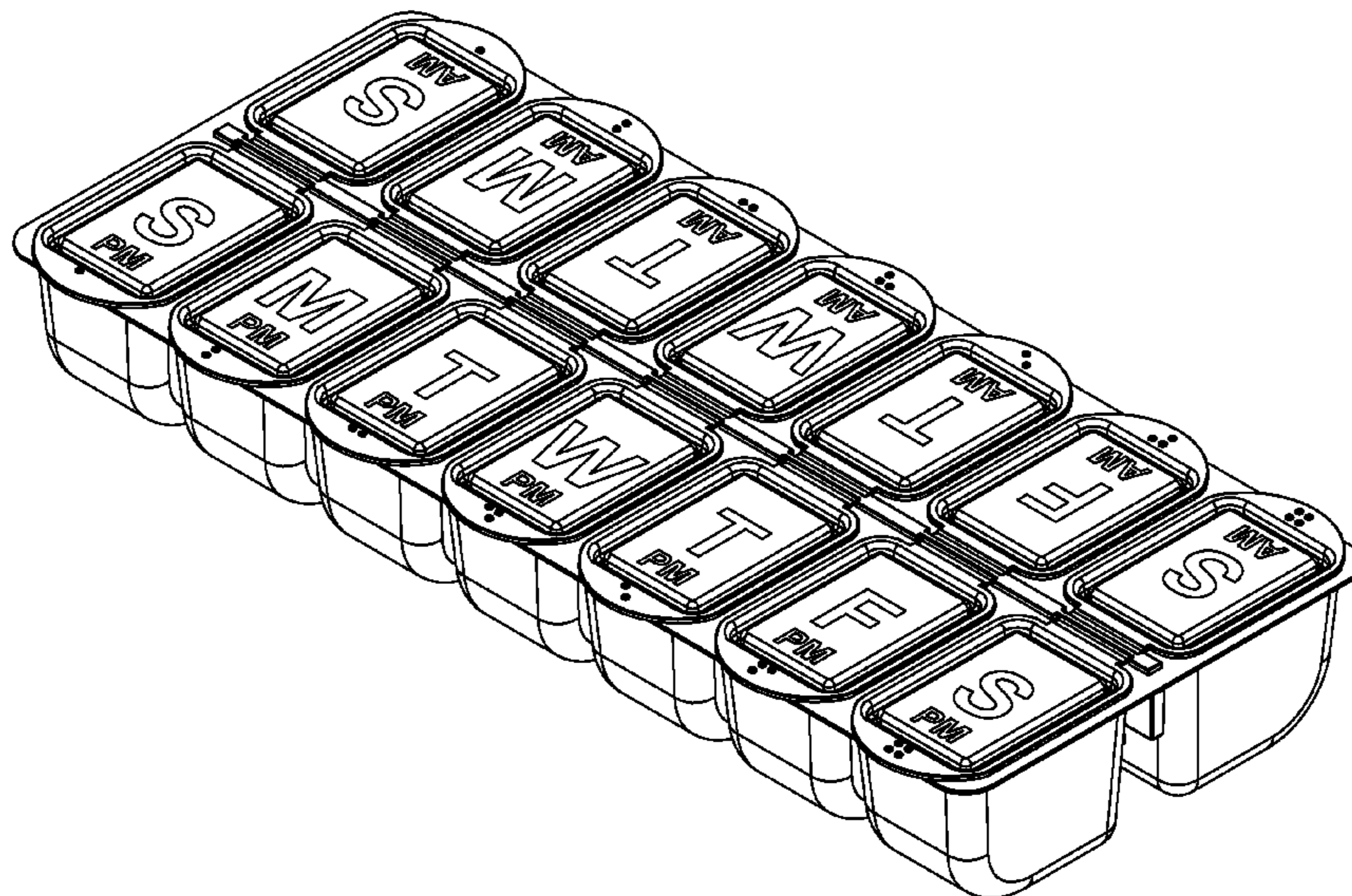
FIG. 14 is a bottom view thereof.

(56) **References Cited**

U.S. PATENT DOCUMENTS

D227,552 S	7/1973	Bridges	
D298,803 S	12/1988	Ebling	
D304,905 S	12/1989	Zimmerman	
5,163,559 A	11/1992	Bunin	
D337,725 S	7/1993	Bunin	
D401,762 S	12/1998	Abrams et al.	
D415,958 S	11/1999	Noble	
6,000,546 A	12/1999	Noble	
D457,819 S	5/2002	Noble et al.	
D466,801 S *	12/2002	Holland D3/203.3
D522,742 S *	6/2006	Priebe D3/203.3

1 Claim, 10 Drawing Sheets



(56)

References Cited

D660,582 S * 5/2012 Busen D3/203.3

U.S. PATENT DOCUMENTS

OTHER PUBLICATIONS

D576,787 S * 9/2008 Fulmer Mason D3/203.3
7,798,330 B2 9/2010 Noble et al.
8,006,845 B2 8/2011 Noble et al.

Design U.S. Appl. No. 29/420,707, filed May 11, 2012.

* cited by examiner

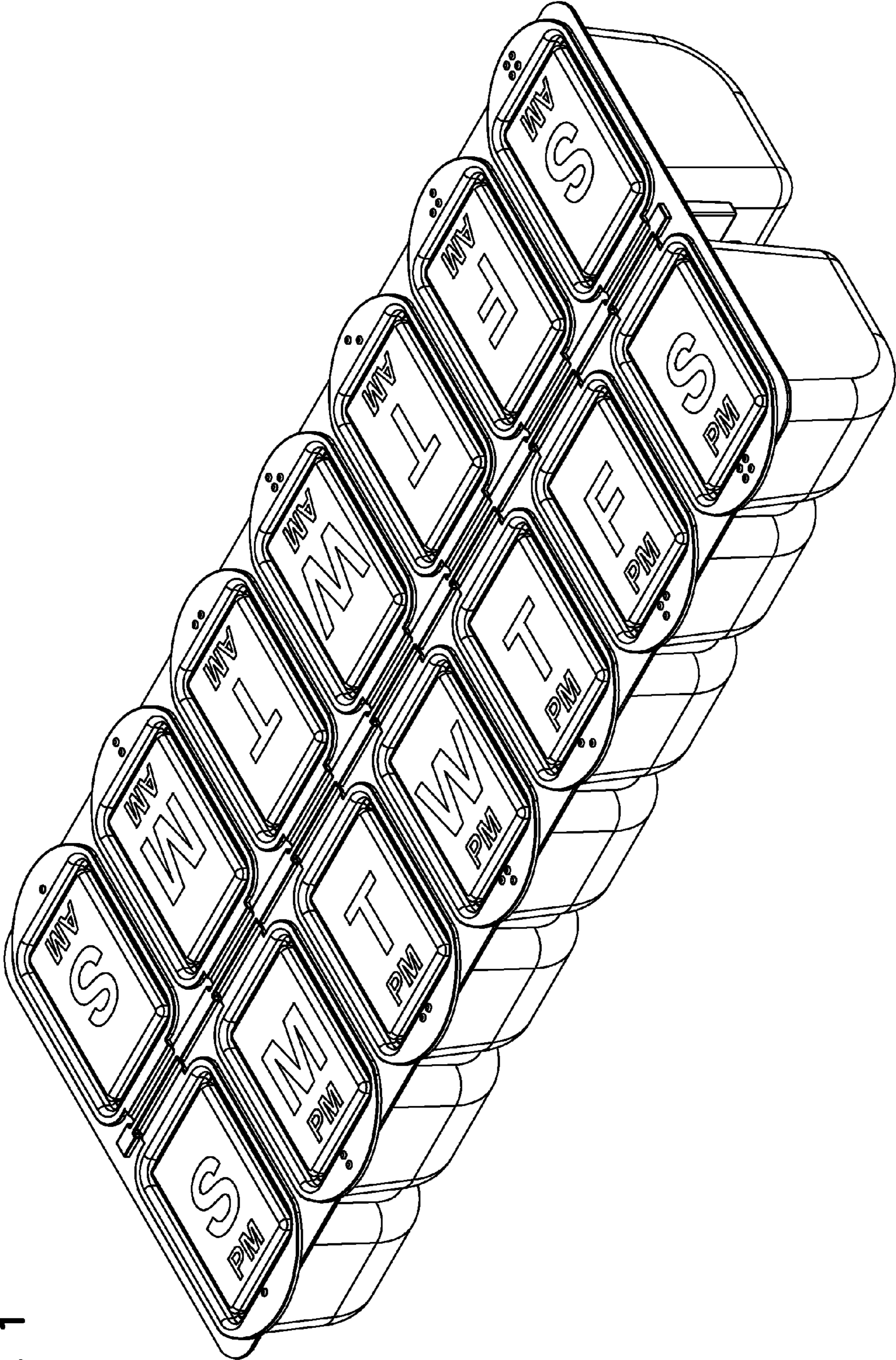


FIG. 1

FIG. 2

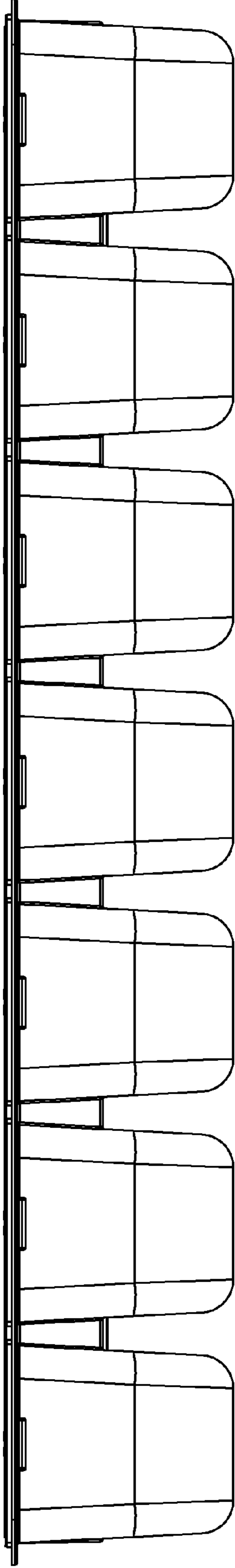


FIG. 3

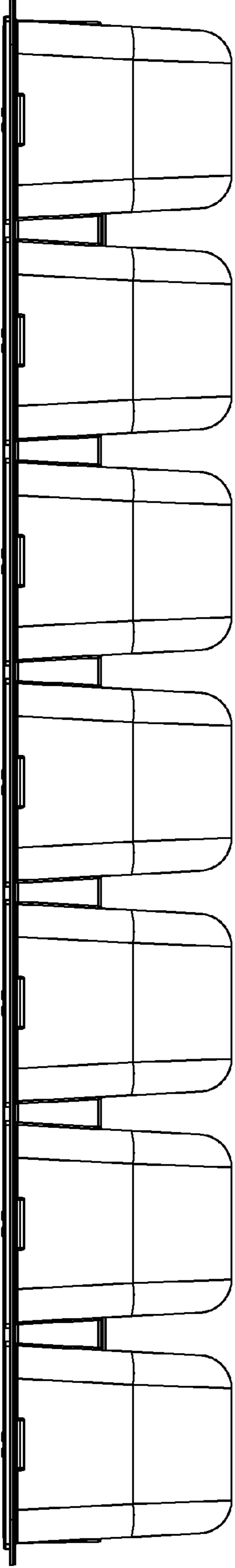


FIG. 4

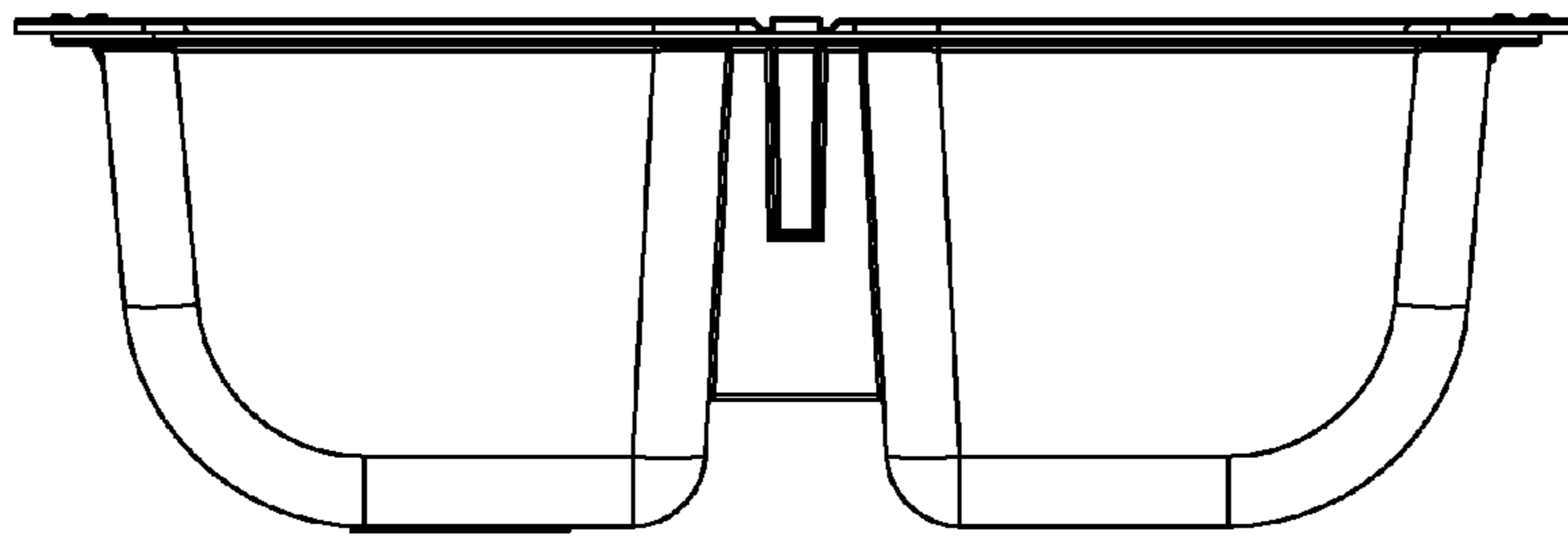
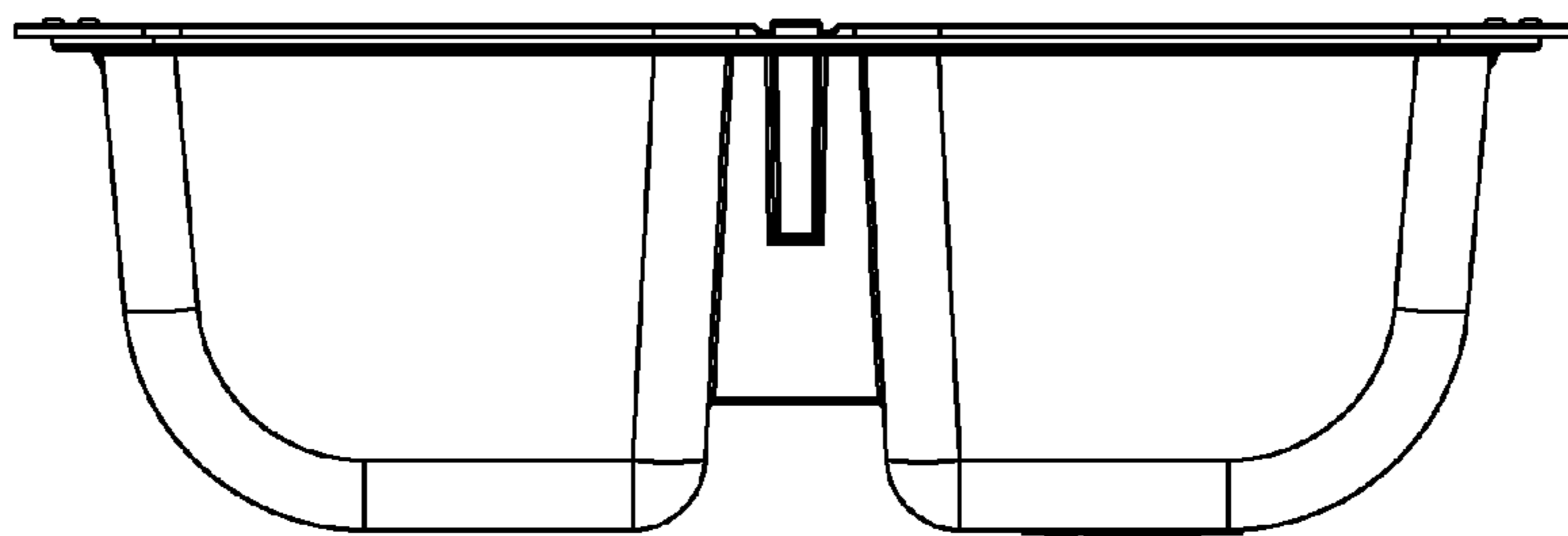


FIG. 5



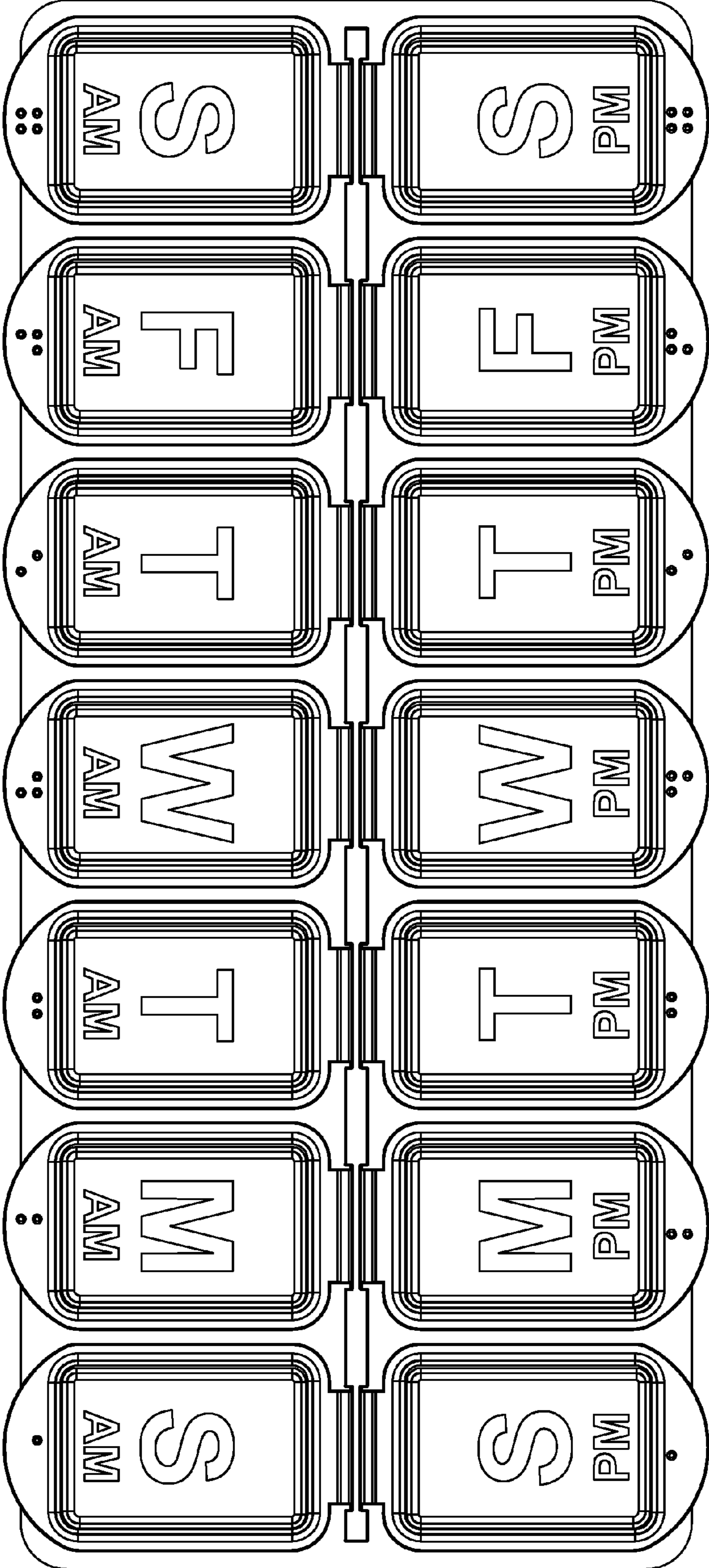
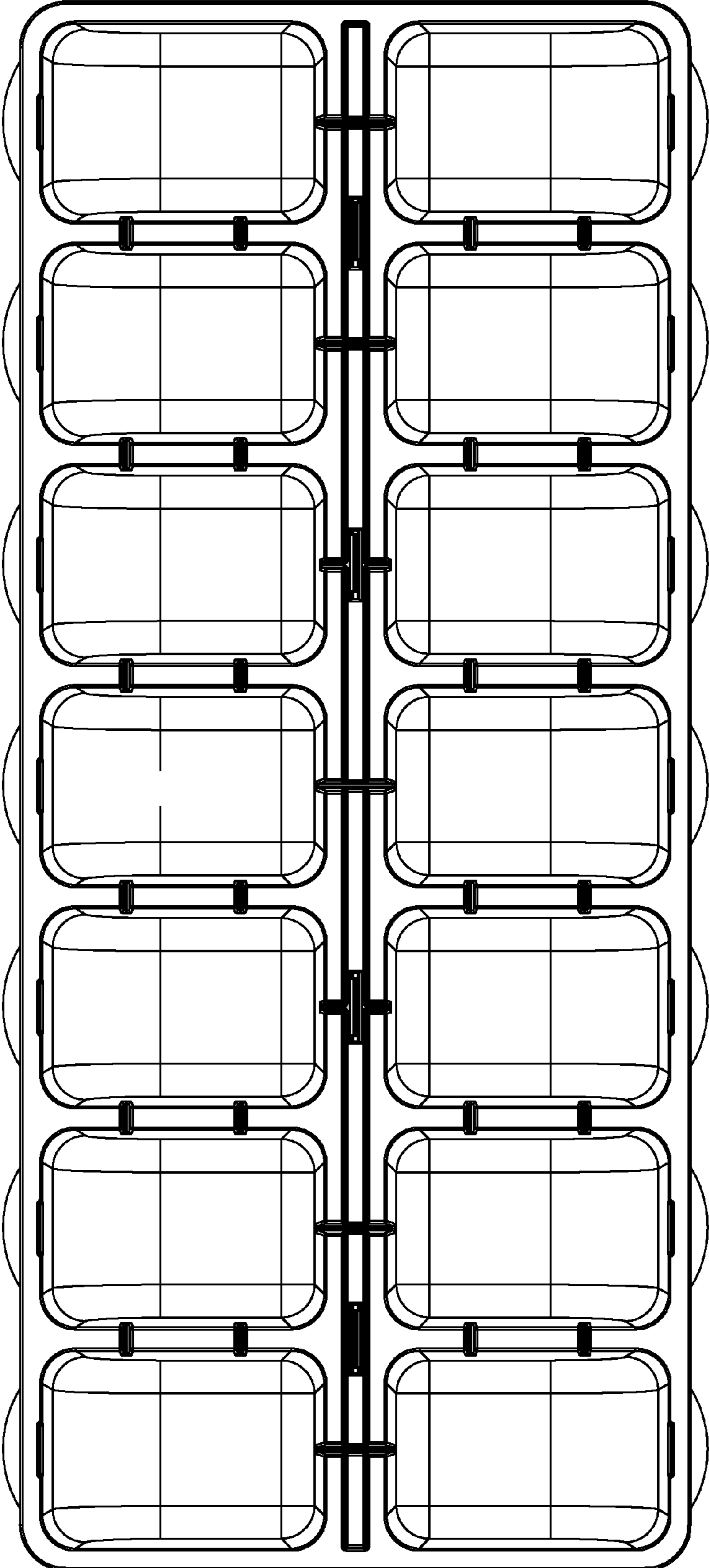


FIG. 6

FIG. 7



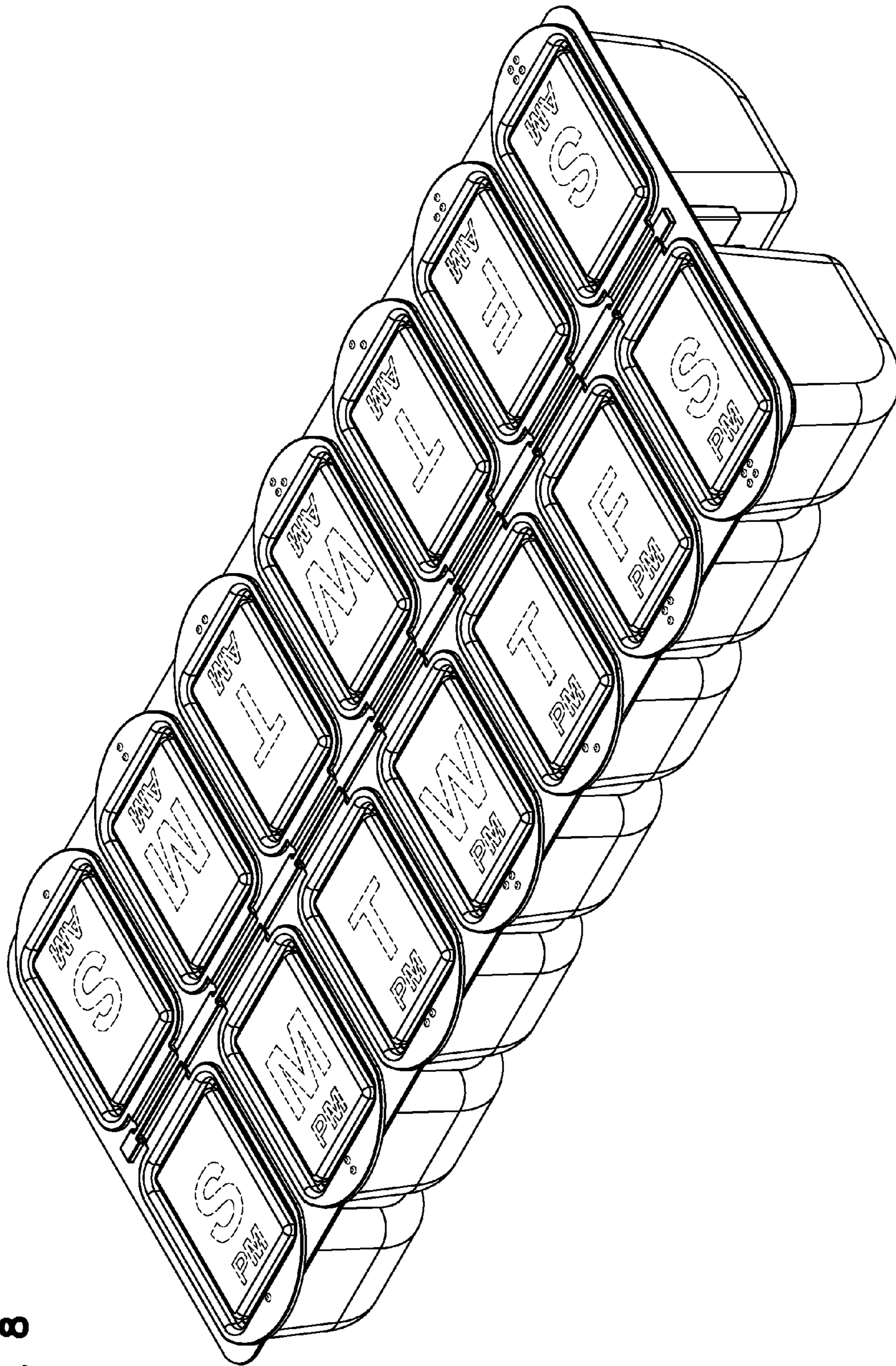


FIG. 8

FIG. 9

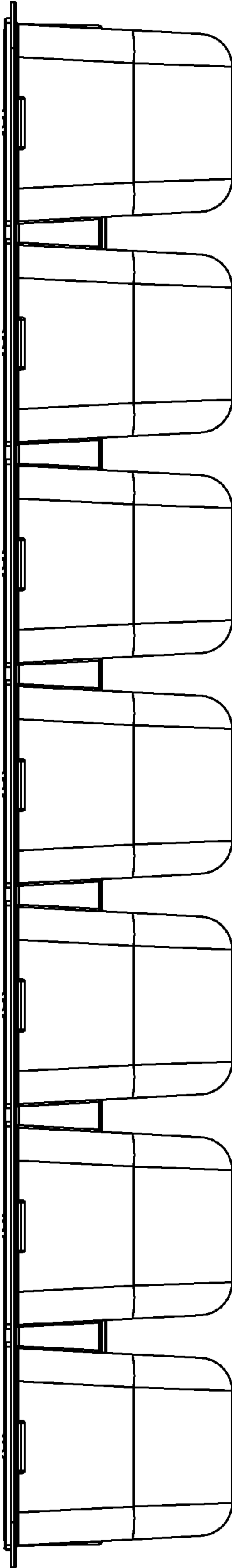


FIG. 10

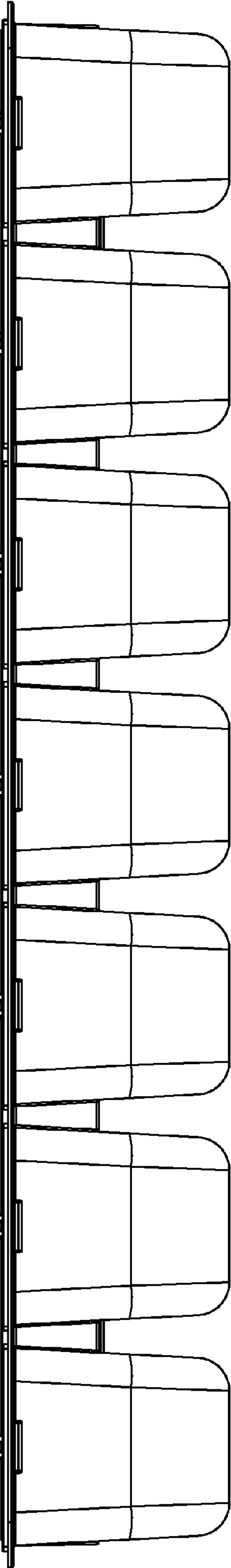


FIG. 11

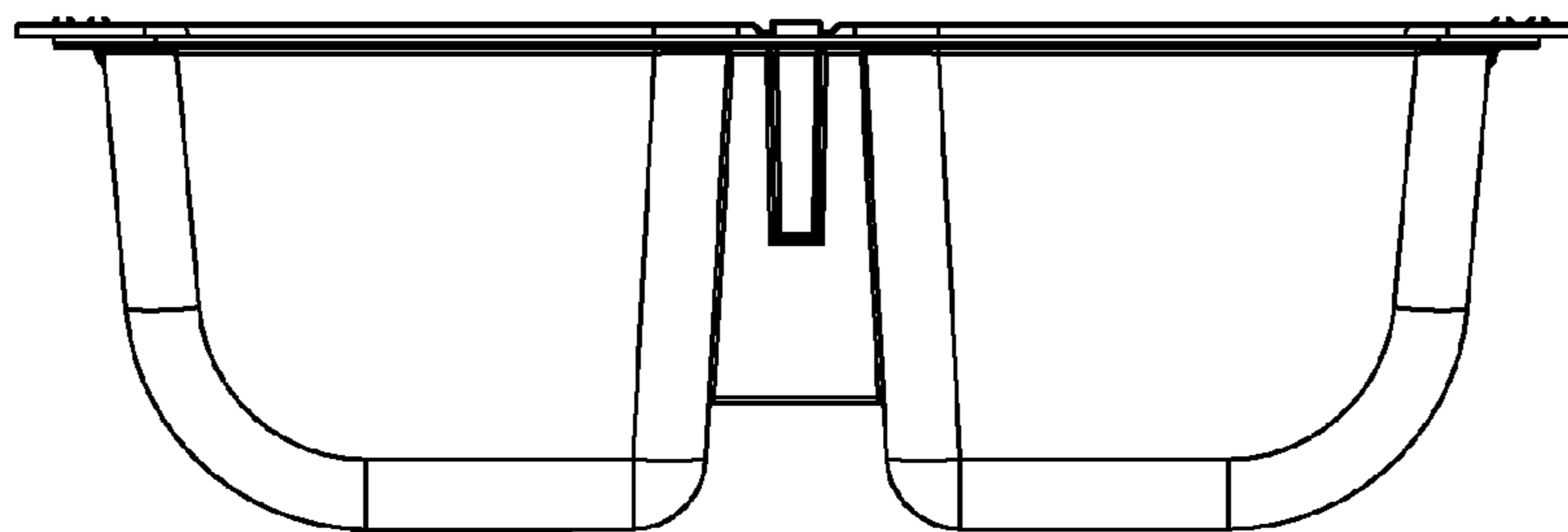


FIG. 12

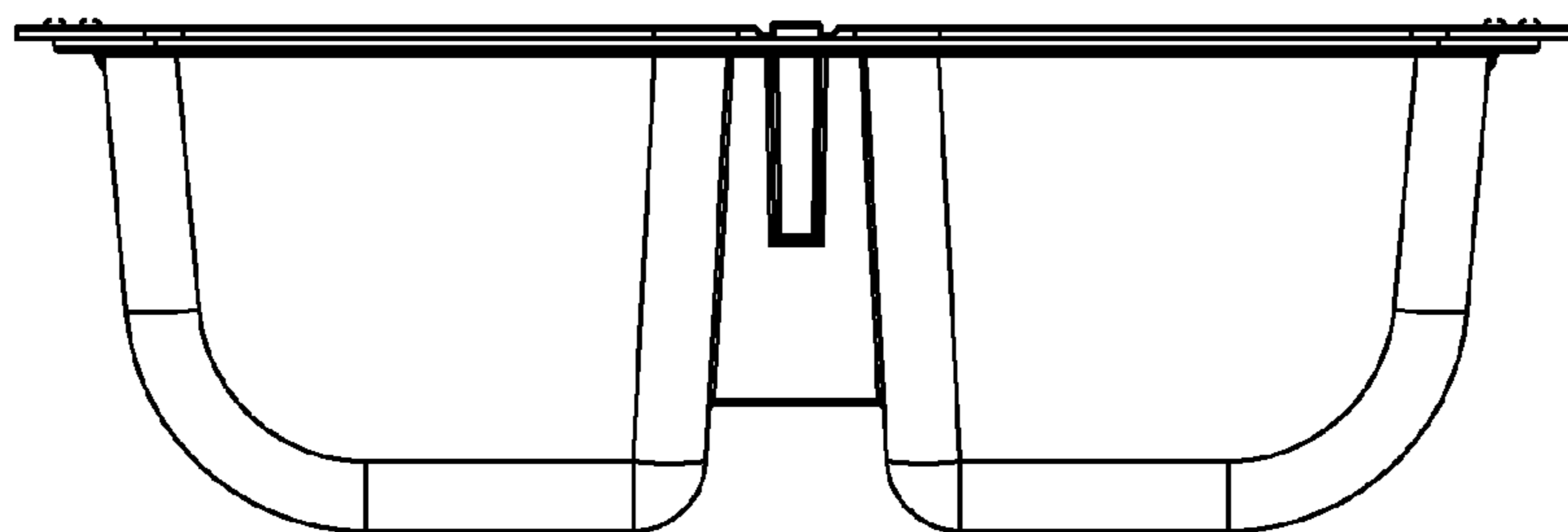
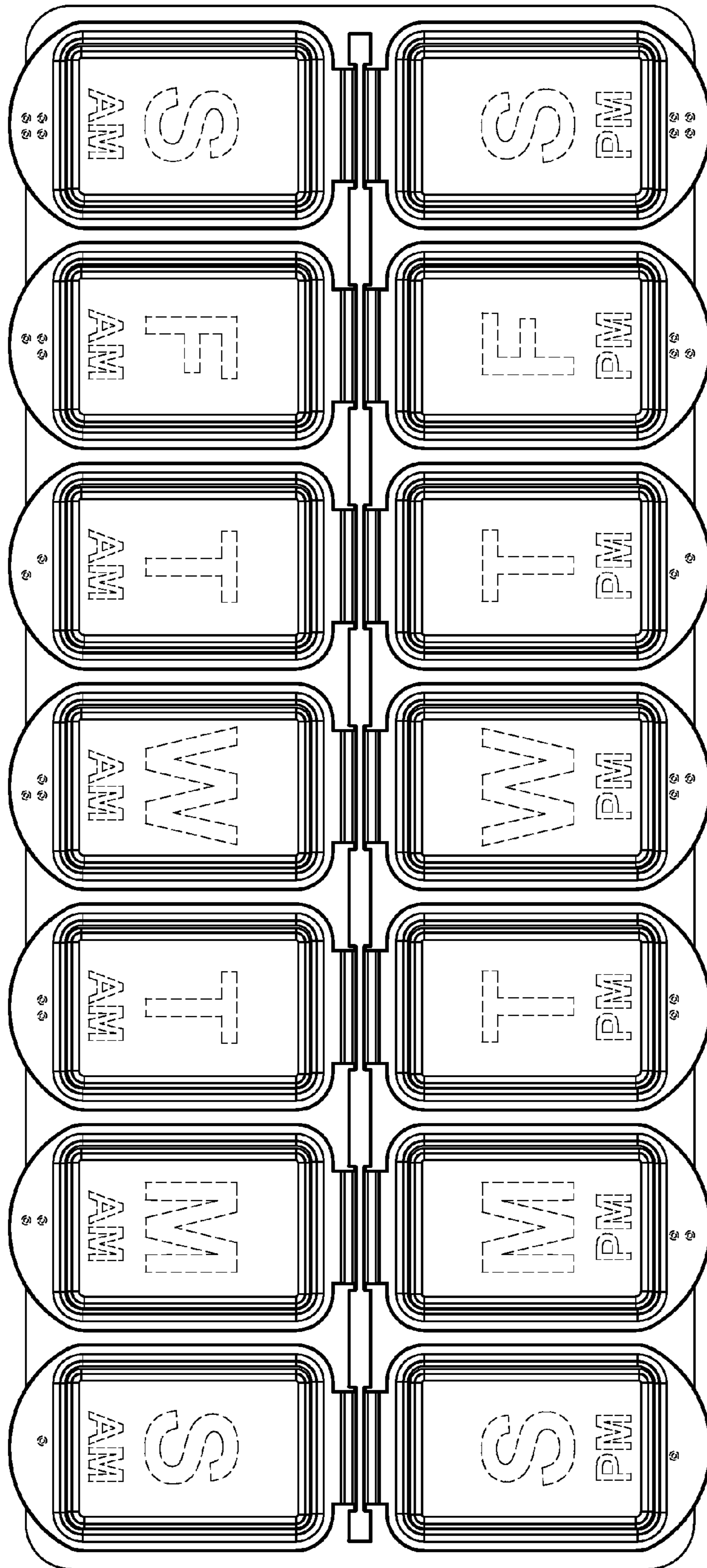


FIG. 13



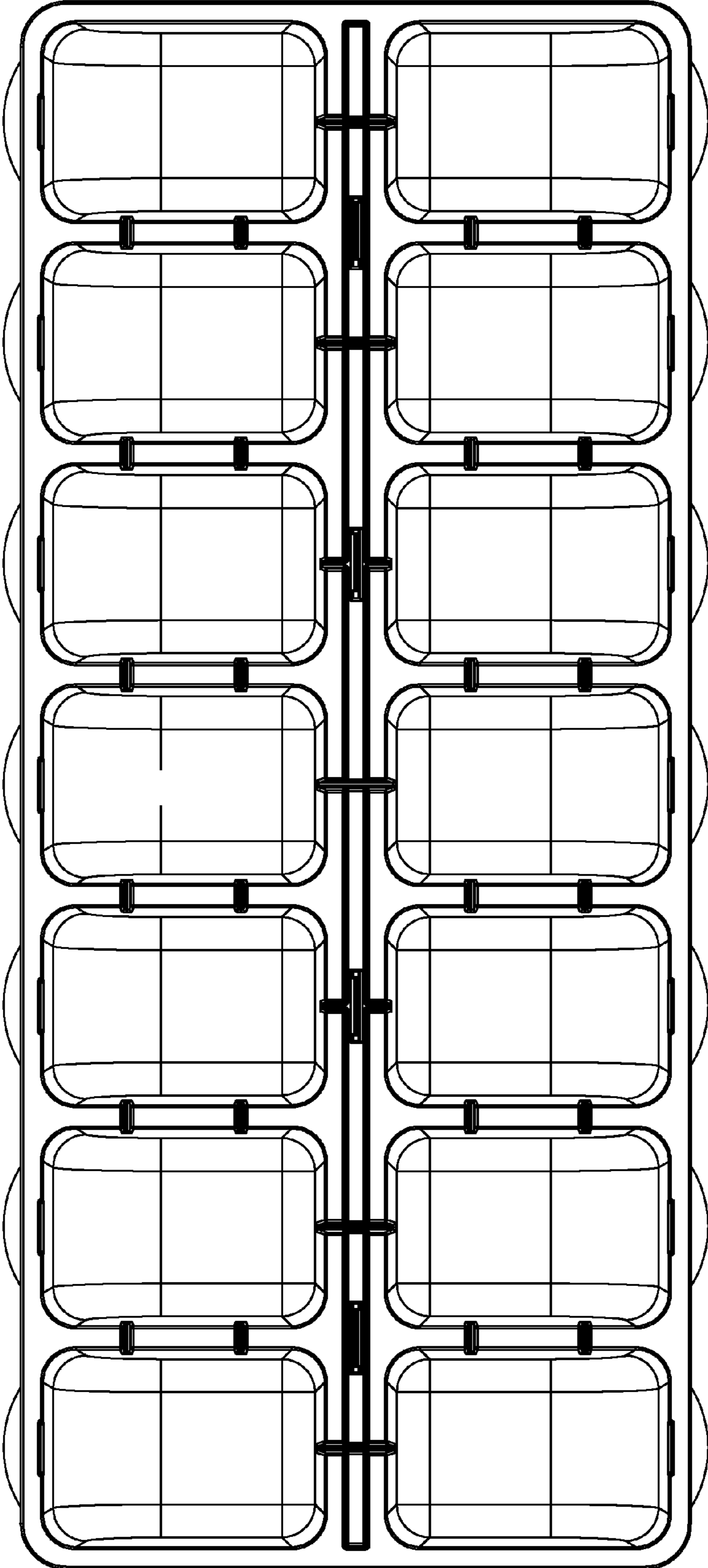


FIG. 14