



US00D697301S

(12) **United States Design Patent**  
**Barbour, Jr.**

(10) **Patent No.:** **US D697,301 S**  
(45) **Date of Patent:** **\*\* Jan. 14, 2014**

(54) **MEDICINE CONTAINER**  
(76) **Inventor:** **Robert E. Barbour, Jr.**, Fort Worth, TX  
(US)

6,227,371 B1 \* 5/2001 Song ..... 206/534  
D574,488 S \* 8/2008 Chauvin ..... D24/121  
D650,629 S \* 12/2011 Gilbert ..... D7/392.1  
8,381,935 B1 \* 2/2013 Buck ..... 220/254.4

\* cited by examiner

(\*\*) **Term:** **14 Years**

*Primary Examiner* — Catheri Oliver-Garcia

(21) **Appl. No.:** **29/412,657**

(74) *Attorney, Agent, or Firm* — QuickPatents; Kevin Prince

(22) **Filed:** **Feb. 6, 2012**

(51) **LOC (10) Cl.** ..... **03-01**

(57) **CLAIM**

I claim the ornamental design for a medicine container, as shown and described.

(52) **U.S. Cl.**

USPC ..... **D3/203.1**

(58) **Field of Classification Search**

**DESCRIPTION**

USPC ..... D3/201–205; D7/392.1, 396.2, 900,  
D7/510; D9/452, 516, 519, 522, 537,  
D9/543–544; 229/125.17, 120.32; 215/6,  
215/227, 230, 354; 206/216–217, 223,  
206/459.1, 534, 538, 540, 570; 220/212,  
220/254.4, 259.1, 521, 523, 709; D24/121,  
D24/224

See application file for complete search history.

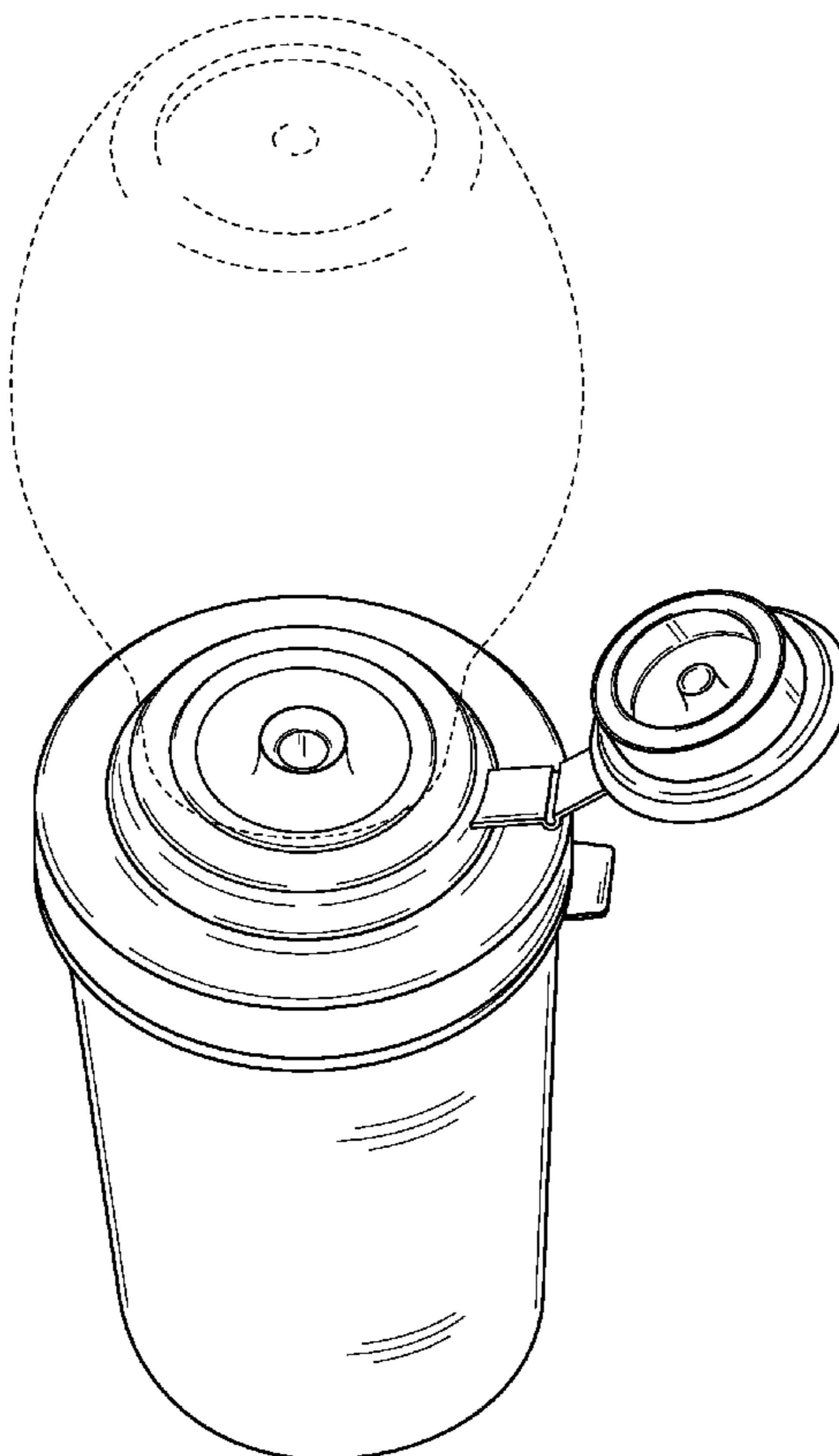
FIG. 1 is a perspective view of a medicine container, showing my new design;  
FIG. 2 is a front elevational view thereof;  
FIG. 3 is a rear elevational view thereof;  
FIG. 4 is a right-side elevational view thereof, the left-side elevational view being a mirror image thereof;  
FIG. 5 is a top plan view thereof;  
FIG. 6 is a bottom plan view thereof; and,  
FIG. 7 is an exploded bottom perspective view thereof, illustrating a check valve on a bottom side of a cap of the design. The broken lines showing a suction dropper in FIG. 1 depict environmental matter and form no part of the claimed design.

(56) **References Cited**

**U.S. PATENT DOCUMENTS**

2,276,678 A \* 3/1942 Wheeler ..... 229/125.17  
D148,216 S \* 12/1947 Dennis ..... D9/522  
D351,904 S \* 10/1994 Maze ..... D24/224

**1 Claim, 3 Drawing Sheets**



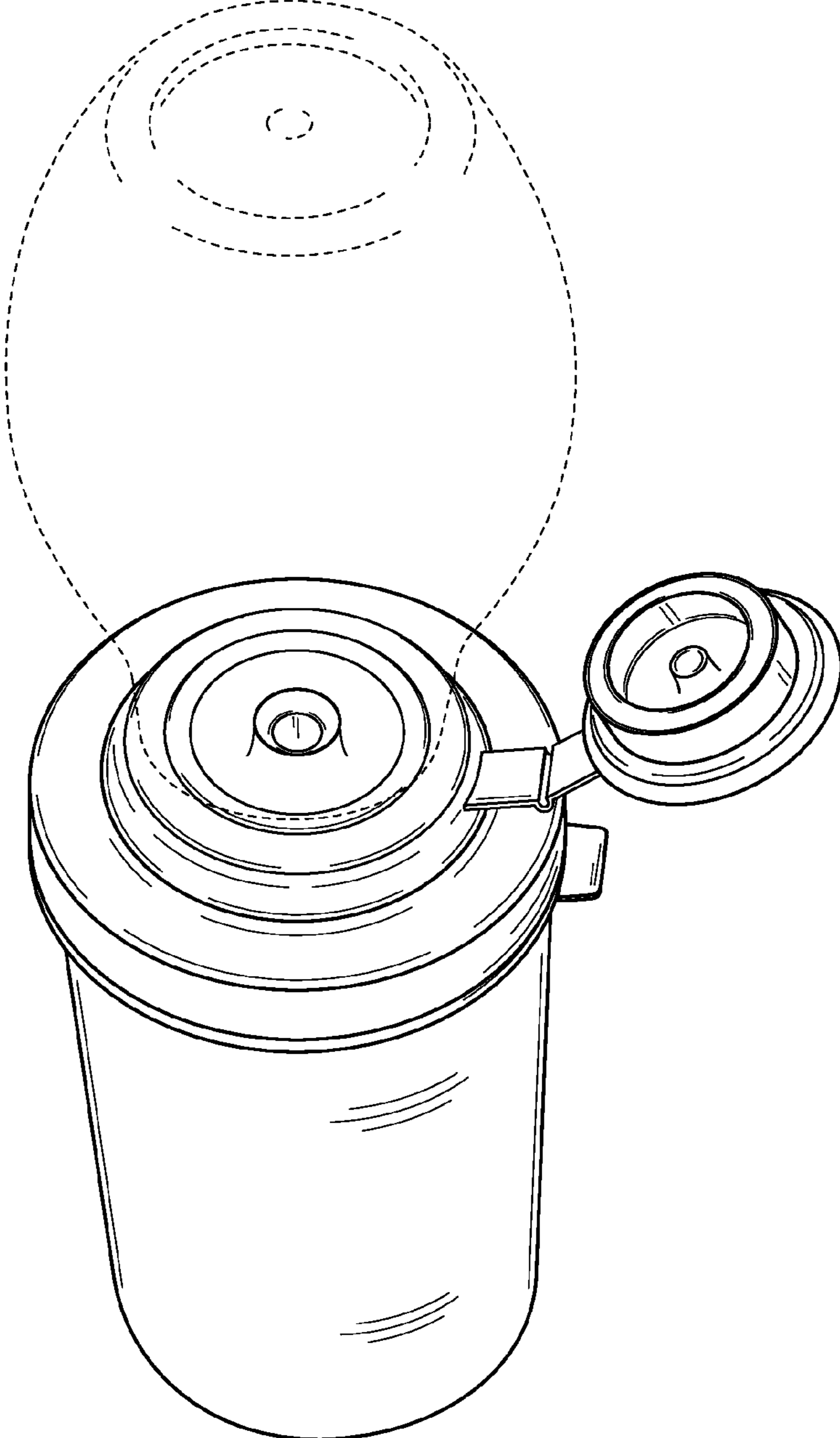


FIG. 1

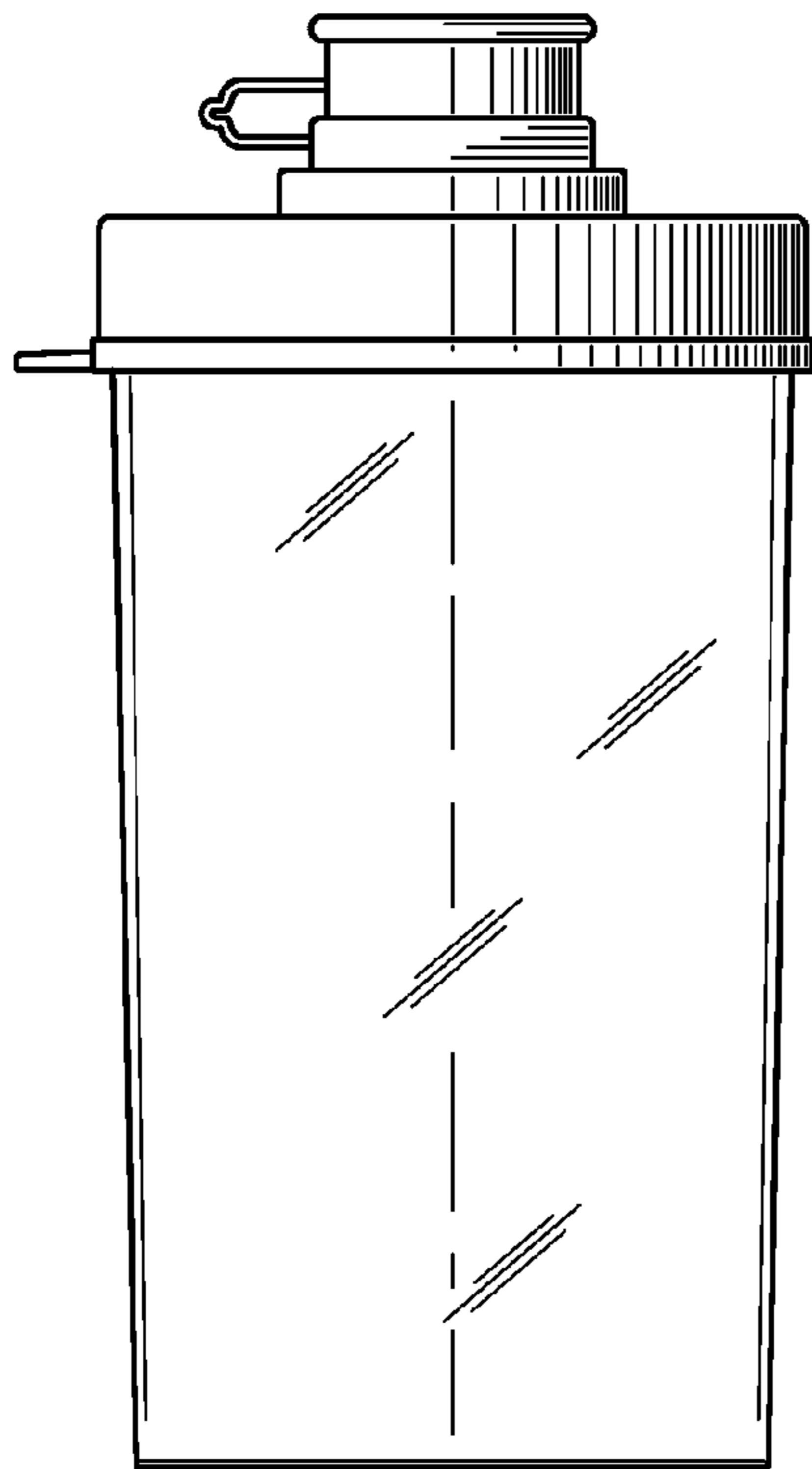


FIG. 2

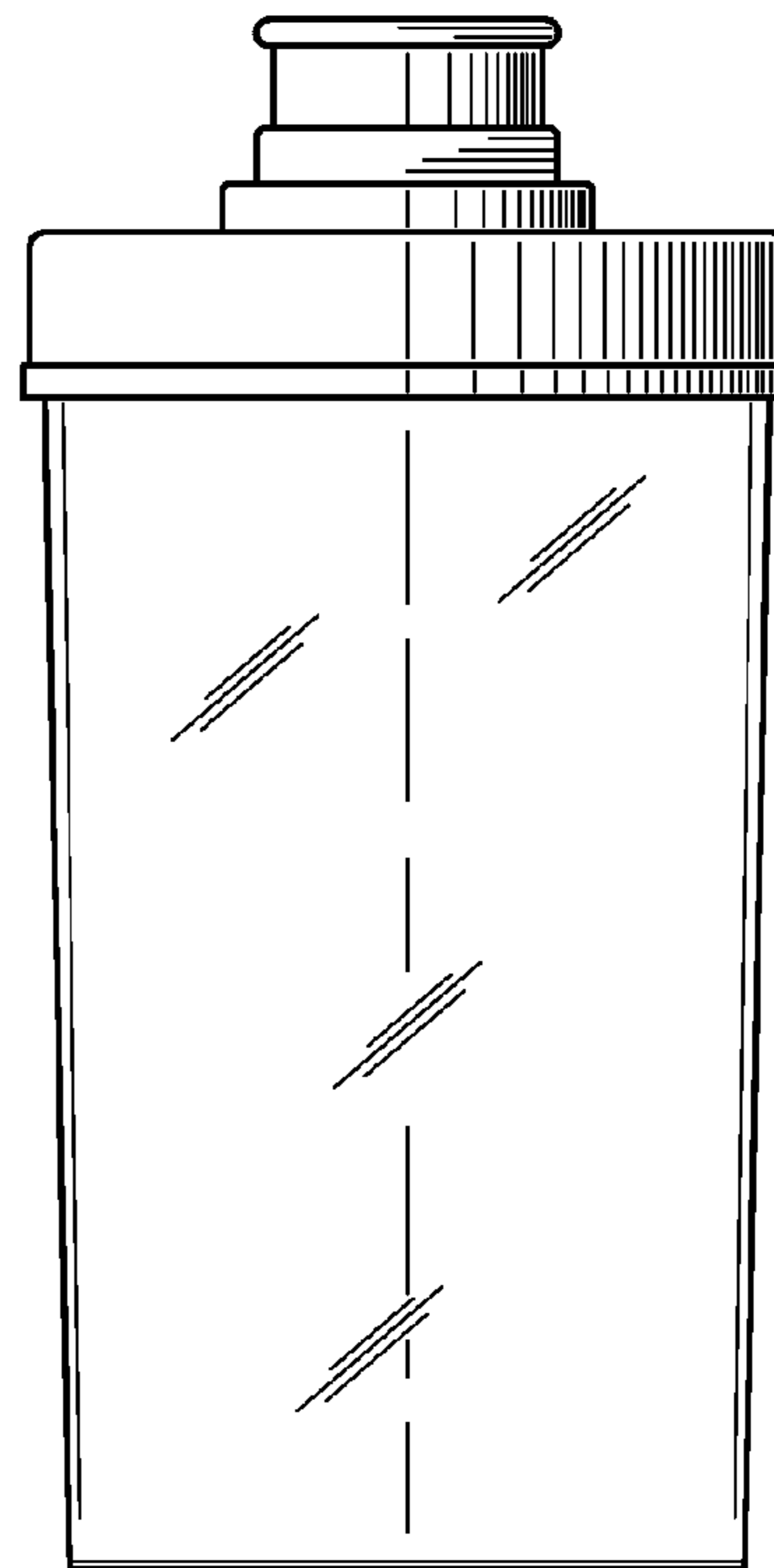


FIG. 3

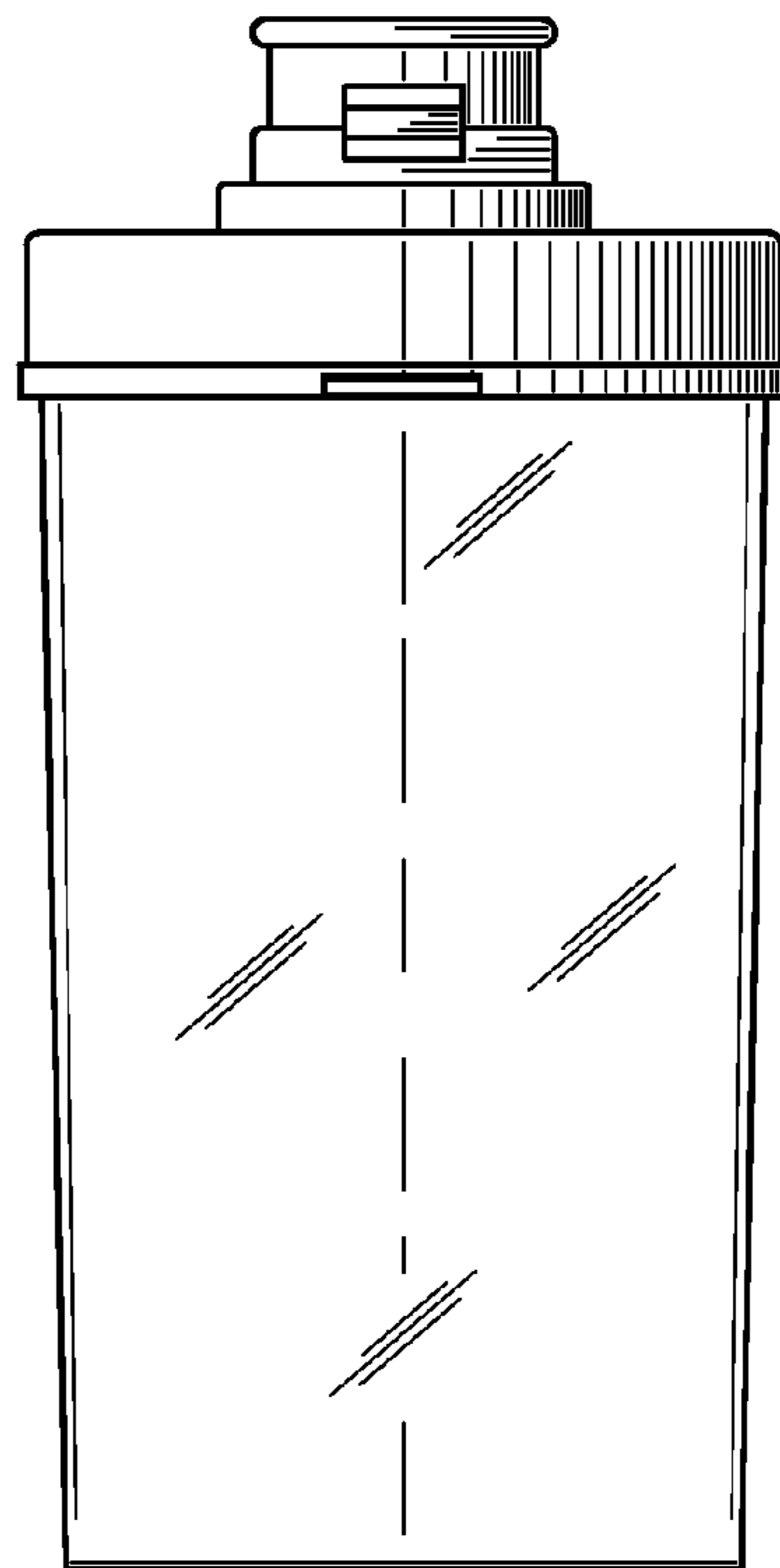


FIG. 4

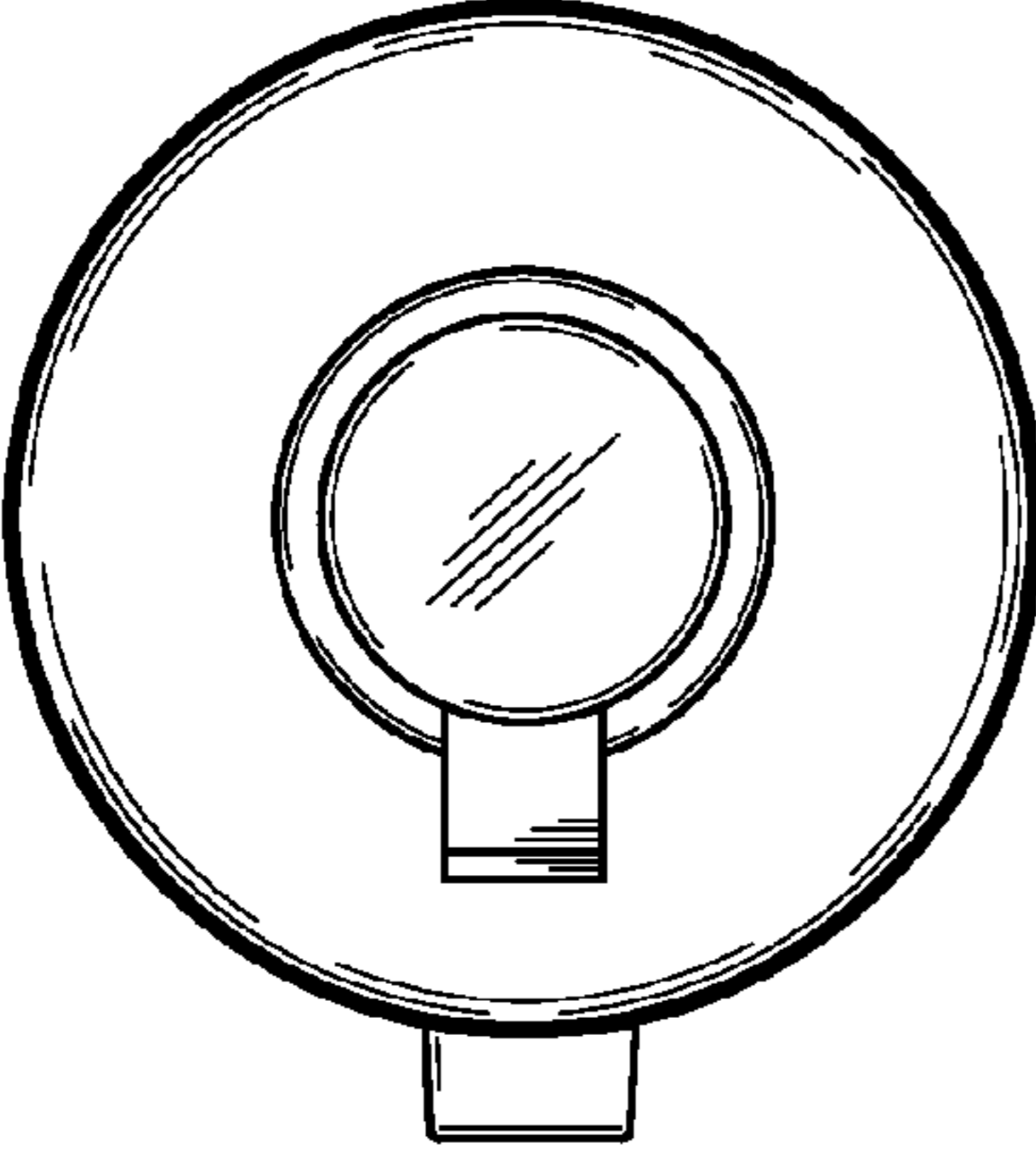


FIG. 5

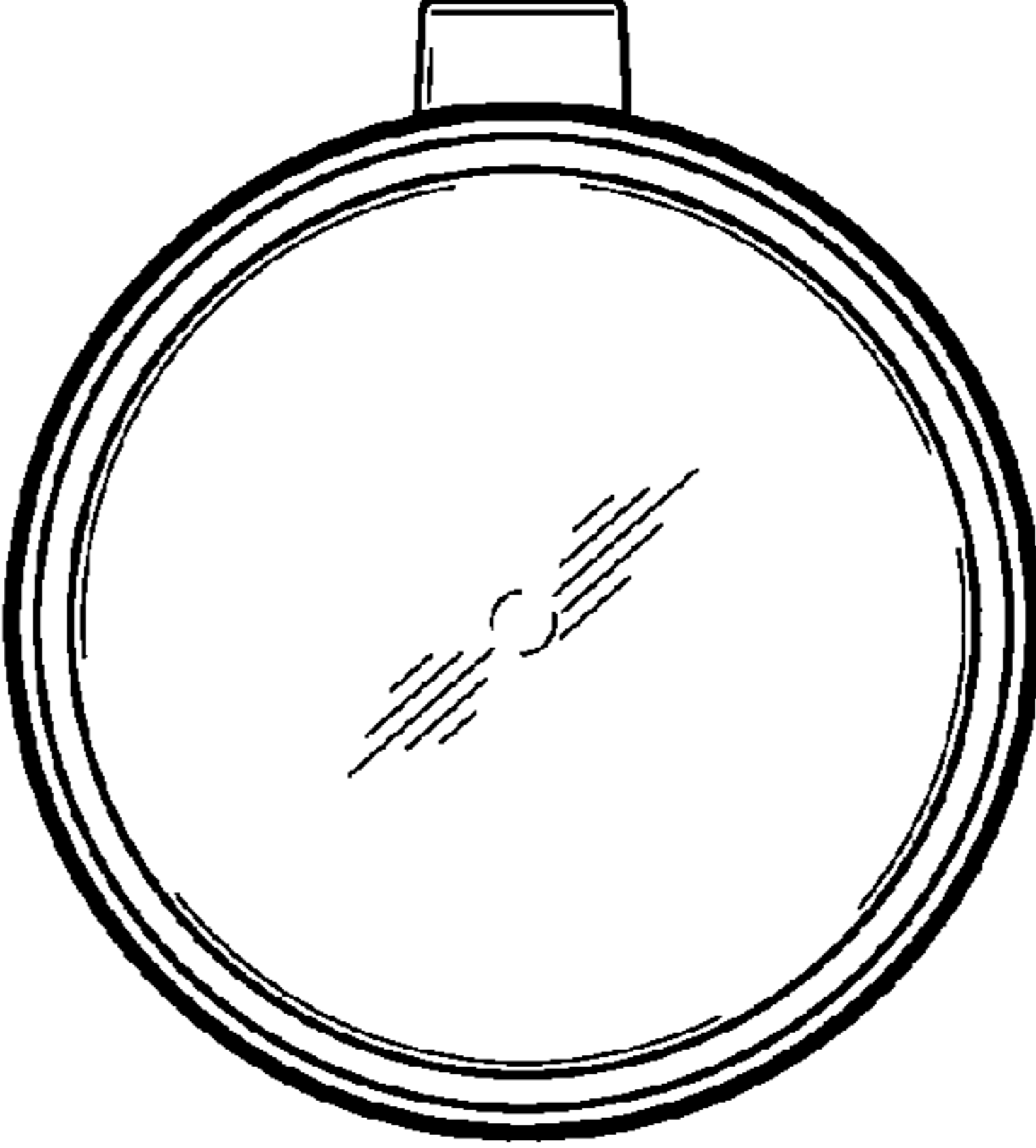


FIG. 6

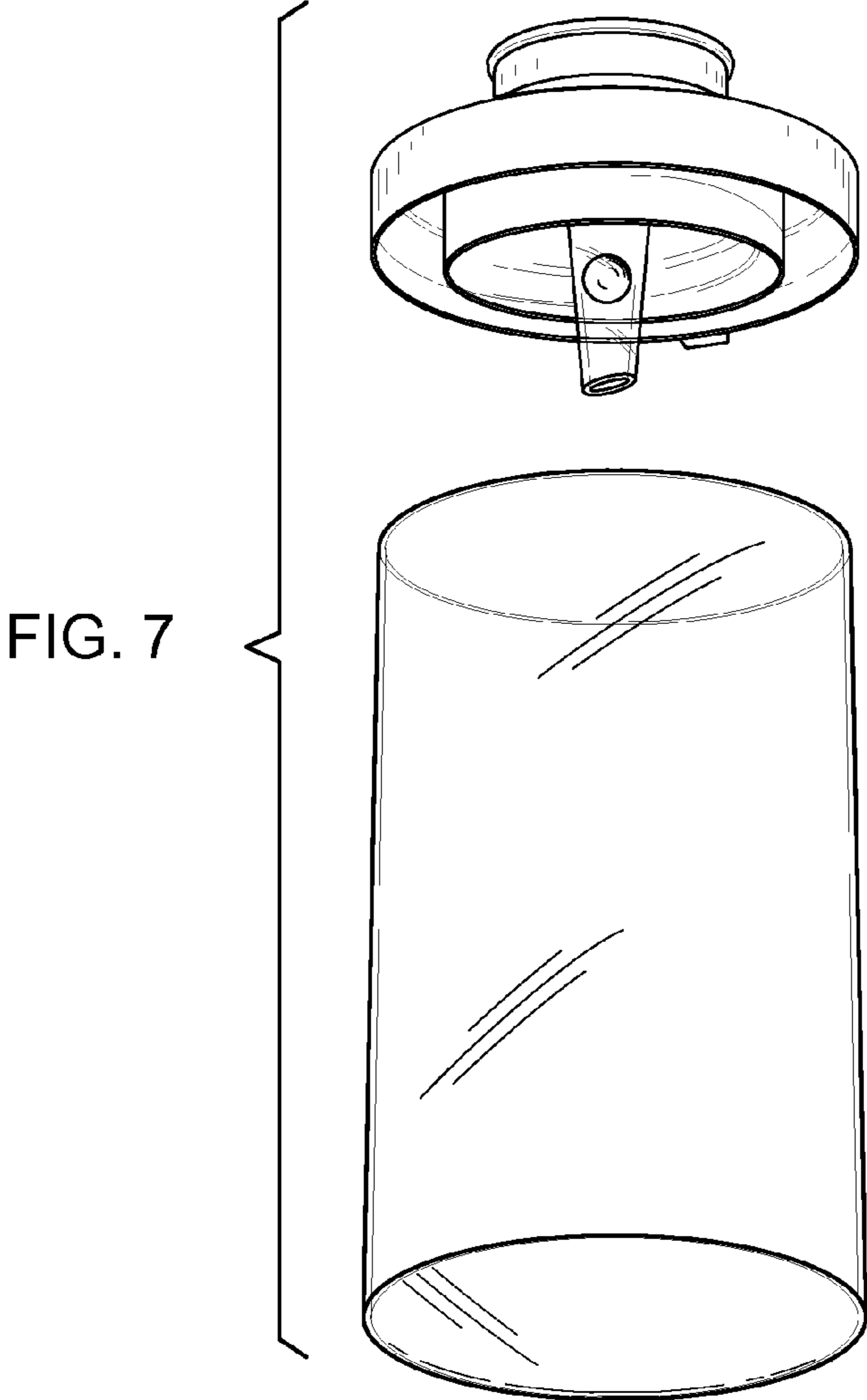


FIG. 7