



US00D697290S

(12) **United States Design Patent**
Langel

(10) **Patent No.:** **US D697,290 S**
(45) **Date of Patent:** **** Jan. 14, 2014**

- (54) **CLEATED OVERSHOE**
- (71) Applicant: **George R. Langel**, Fort Collins, CO
(US)
- (72) Inventor: **George R. Langel**, Fort Collins, CO
(US)
- (**) Term: **14 Years**
- (21) Appl. No.: **29/442,554**
- (22) Filed: **Mar. 22, 2013**
- (51) **LOC (10) Cl.** **02-04**
- (52) **U.S. Cl.**
USPC **D2/913; D2/906**
- (58) **Field of Classification Search**
USPC D2/896, 901, 902, 906, 909, 910, 913,
D2/914, 915, 948, 954, 962, 972;
D24/192; 36/7.1 R, 113, 114, 126-130,
36/132, 2 R, 1.5, 58.5, 69, 77 R, 7.3, 135
See application file for complete search history.

4,967,750 A *	11/1990	Cherniak	36/140
D323,240 S *	1/1992	Cornell	D2/913
D356,436 S *	3/1995	Sutton et al.	D2/914
D391,744 S *	3/1998	McMaster	D2/913
D425,289 S *	5/2000	Sheppard et al.	D2/913
D435,715 S *	1/2001	Hunter et al.	D2/913
D470,647 S *	2/2003	Johnson	D2/913
D500,189 S *	12/2004	Mahjied	D2/913

* cited by examiner

Primary Examiner — Robert M Spear

Assistant Examiner — Rashida C McCoy

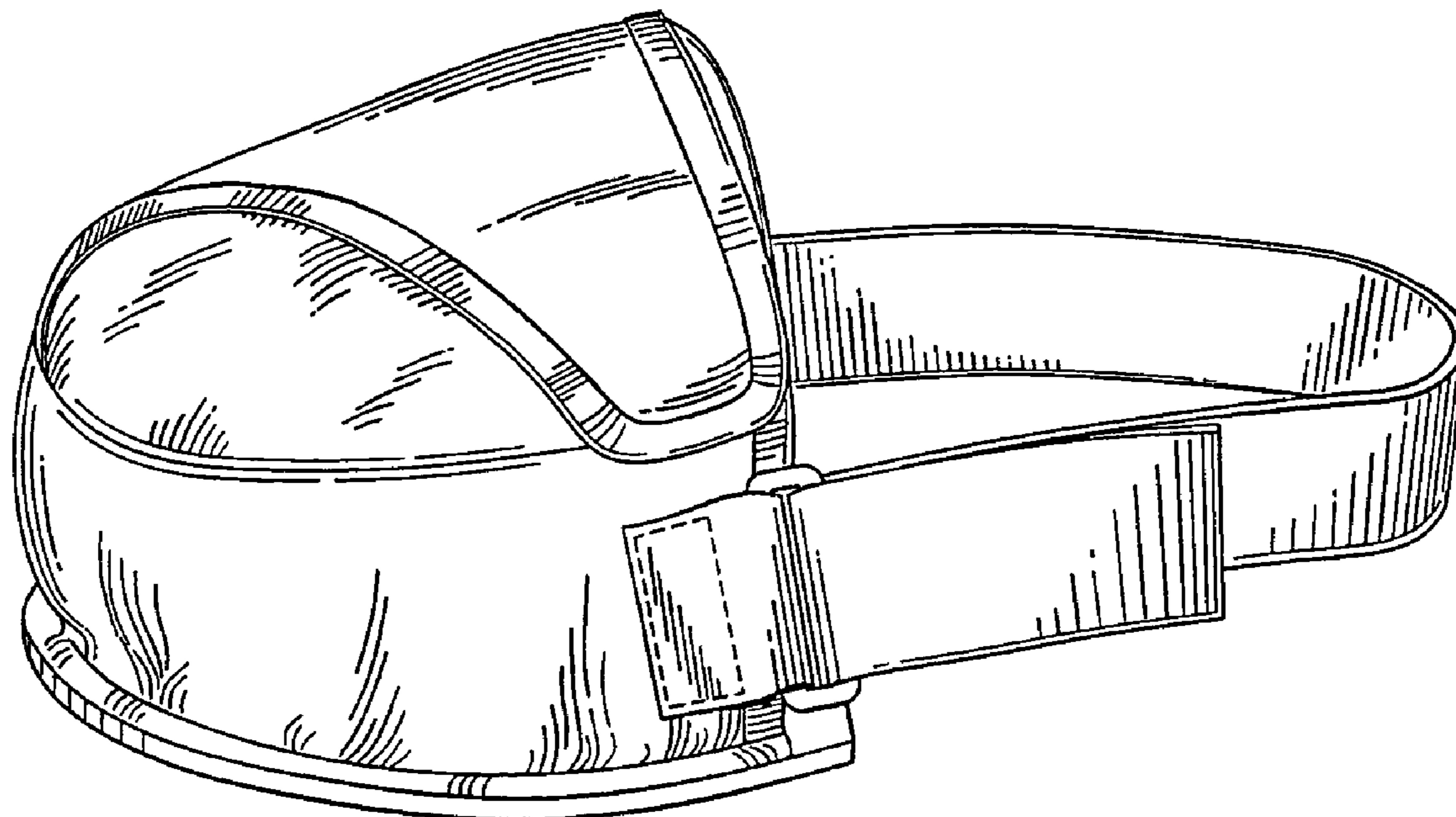
(74) *Attorney, Agent, or Firm* — William E. Hein

- (56) **References Cited**
U.S. PATENT DOCUMENTS
3,487,830 A * 1/1970 Pruett 602/11
D219,136 S * 11/1970 Mace D2/913

(57) **CLAIM**
The ornamental design for a cleated overshoe, as shown and described.

DESCRIPTION
FIG. 1 is a perspective view of a cleated overshoe showing my new design;
FIG. 2 is a front elevation view;
FIG. 3 is a rear elevation view;
FIG. 4 is a top plan view;
FIG. 5 is a bottom plan view;
FIG. 6 is a left side elevation view; and,
FIG. 7 is a right side elevation view.

1 Claim, 3 Drawing Sheets



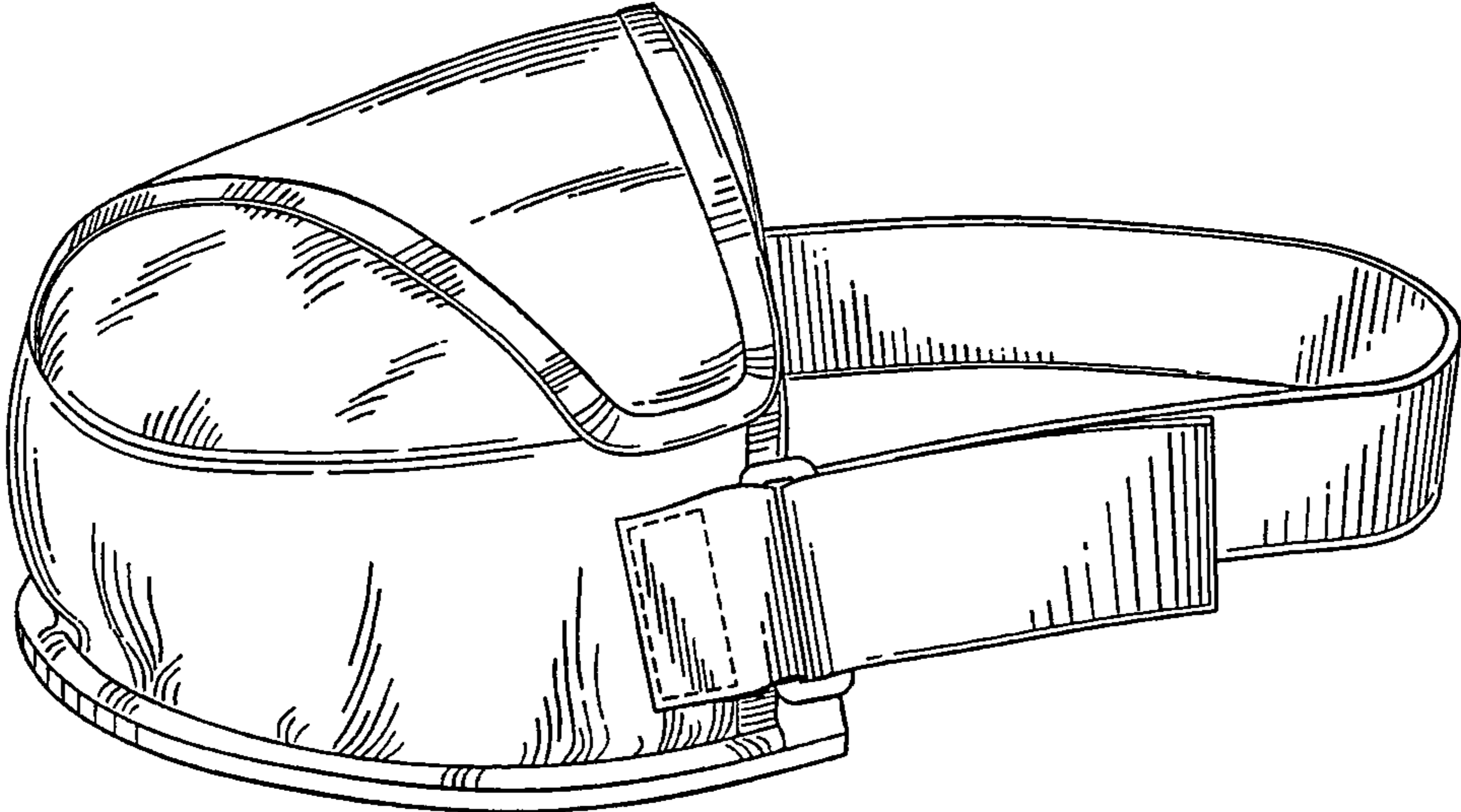


FIG. 1

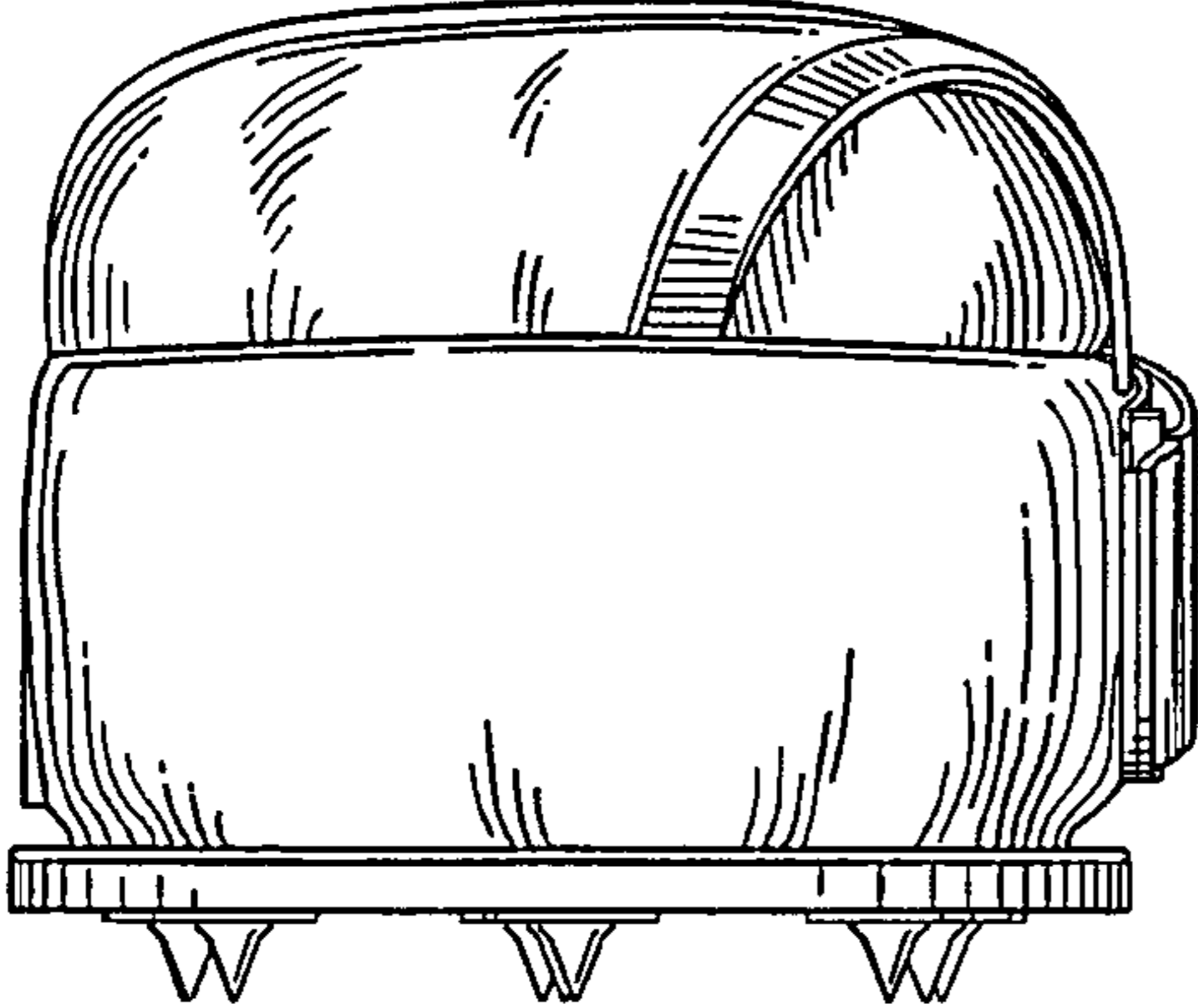


FIG. 2

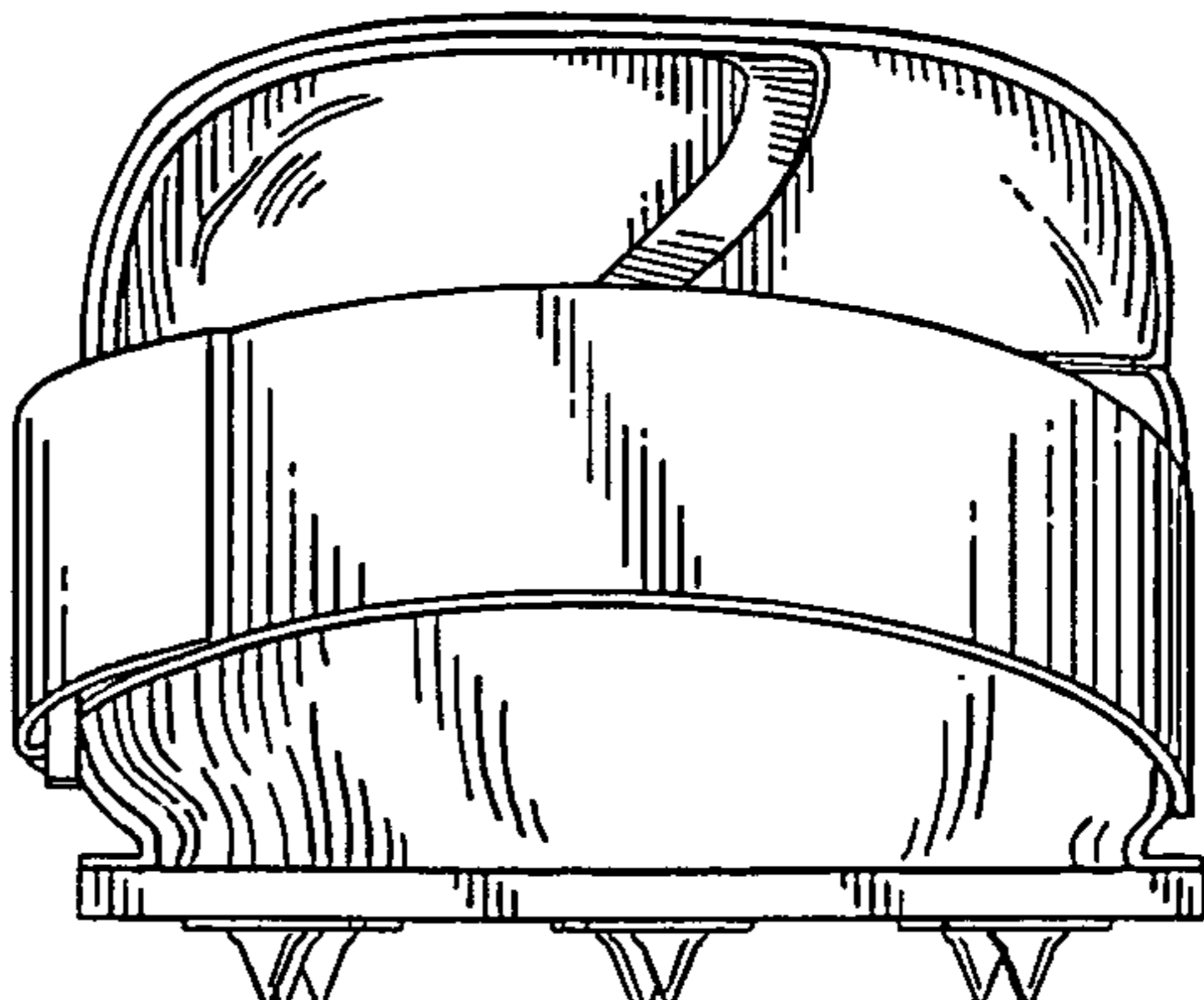


FIG. 3

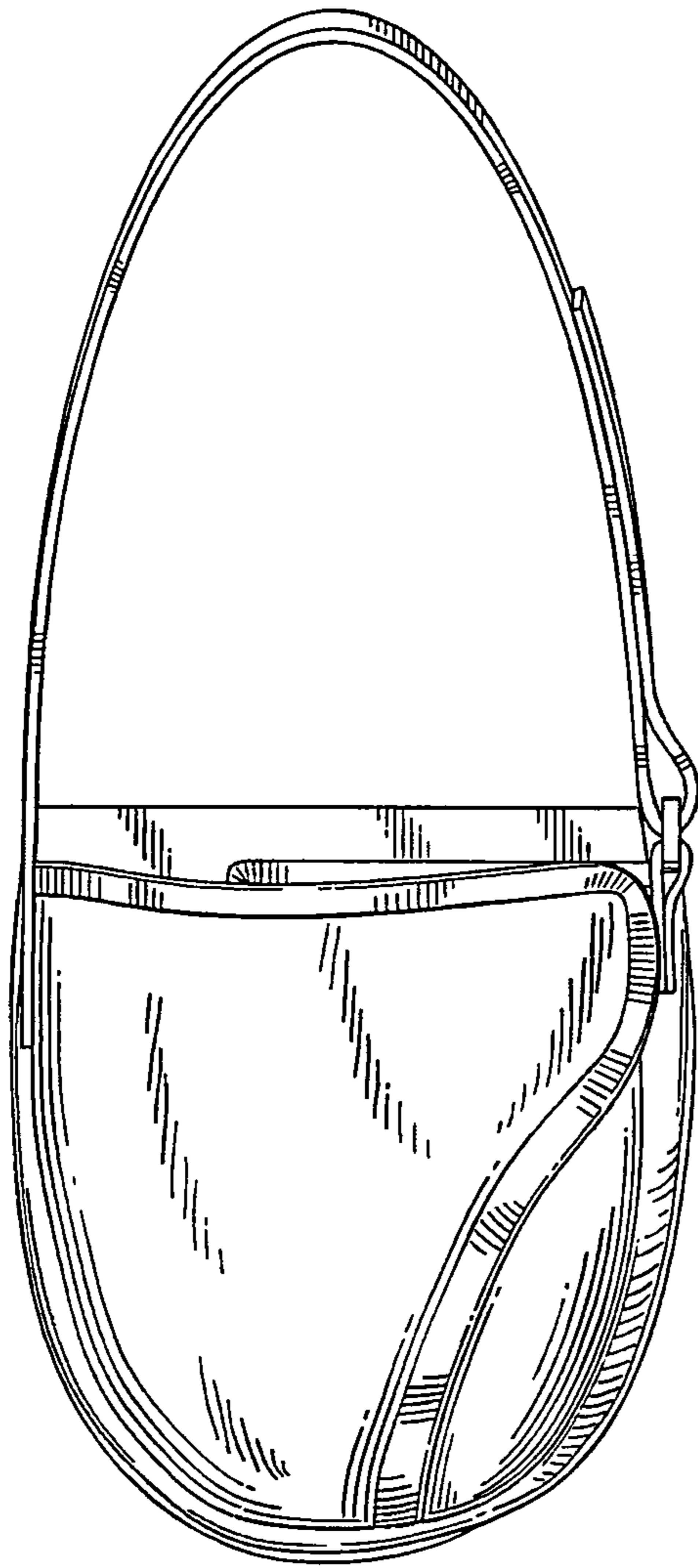


FIG. 4

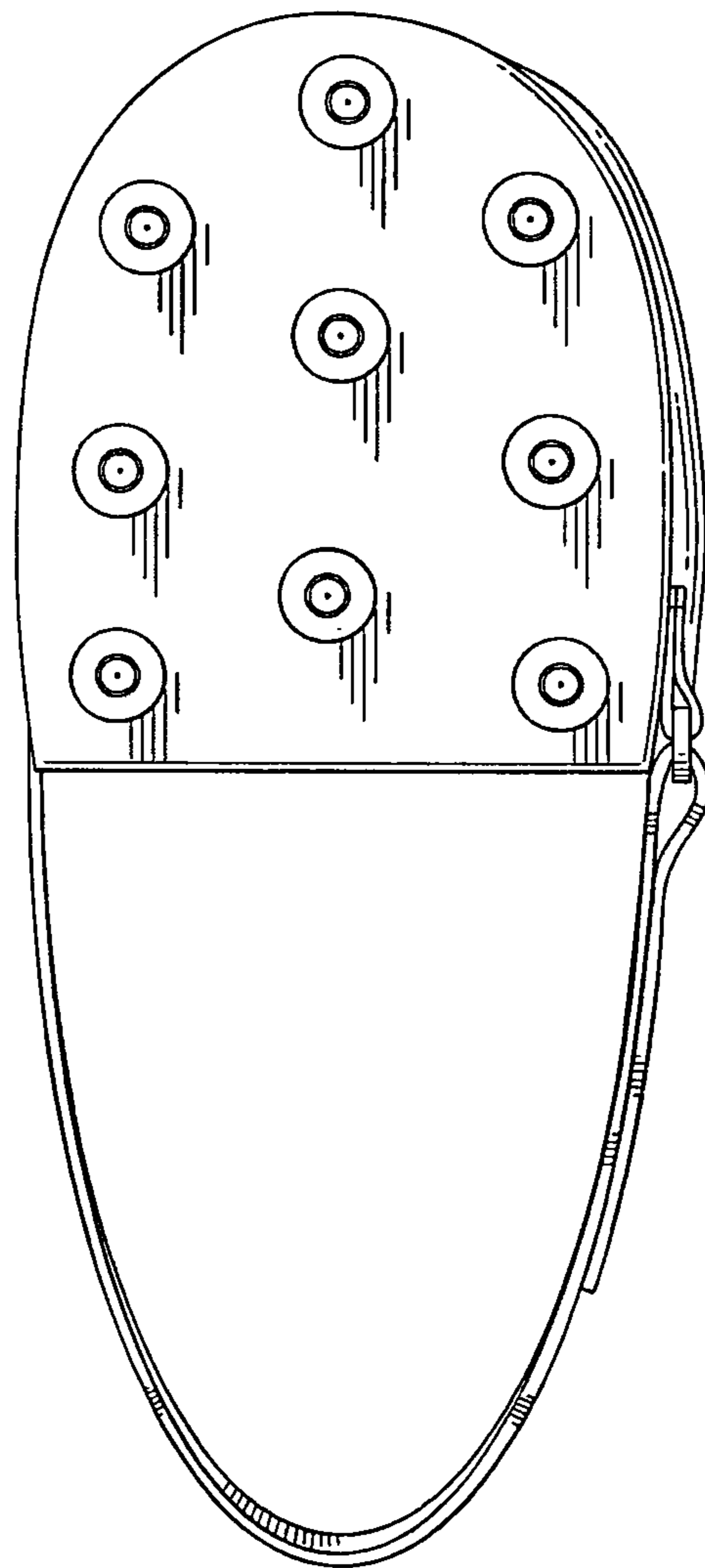


FIG. 5

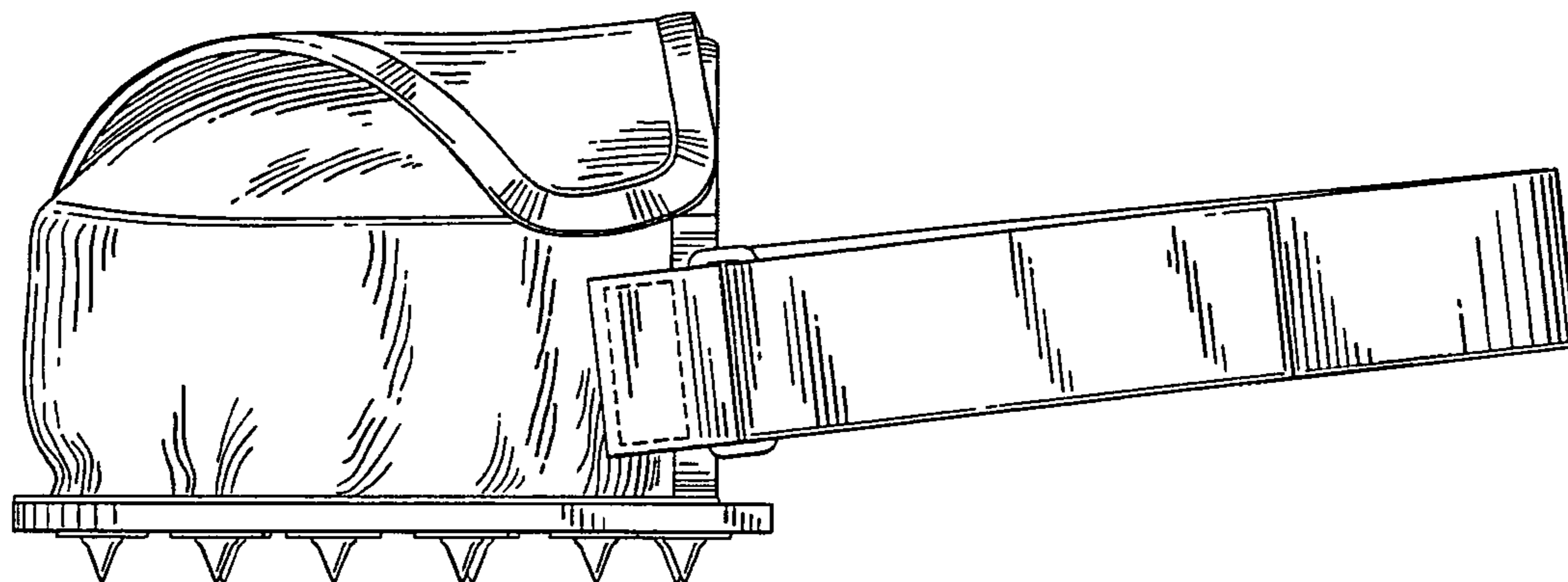


FIG. 6

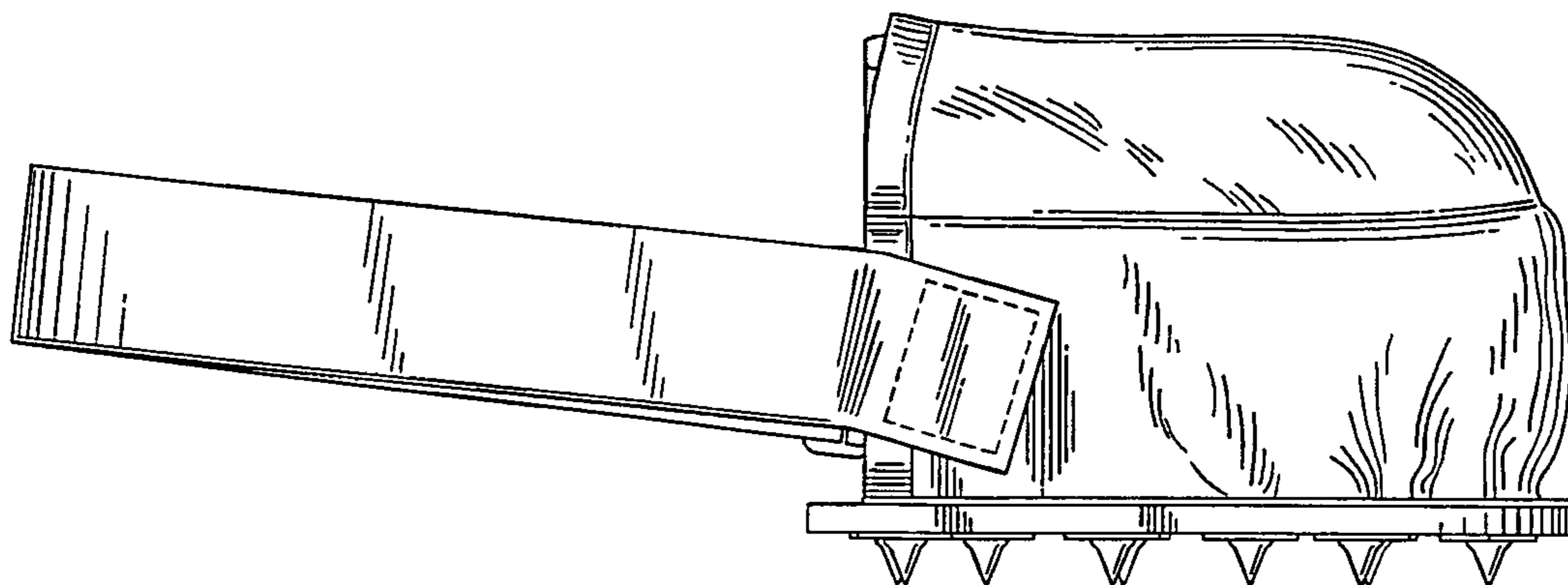


FIG. 7