



US00D697288S

(12) **United States Design Patent**  
**Pearson**

(10) **Patent No.:** **US D697,288 S**

(45) **Date of Patent:** **\*\* \*Jan. 14, 2014**

(54) **MILITARY CAP WITH PONYTAIL HOLE**

(76) Inventor: **Laura T. Pearson**, Kemmerer, WY (US)

(\*) Notice: This patent is subject to a terminal disclaimer.

(\*\*) Term: **14 Years**

(21) Appl. No.: **29/416,567**

(22) Filed: **Mar. 23, 2012**

**Related U.S. Application Data**

(63) Continuation-in-part of application No. 29/397,939, filed on Jul. 22, 2011, now abandoned.

(51) **LOC (10) Cl.** ..... **02-03**

(52) **U.S. Cl.**  
USPC ..... **D2/882**

(58) **Field of Classification Search**  
USPC ..... D2/865, 866, 878, 879, 880, 881, 882,  
D2/883, 884, 886, 891, 892, 893, 894,  
D2/895; 2/10, 12, 68, 171, 175.1, 175.2,  
2/175.3, 183, 195.1, 195.2, 195.3, 195.4,  
2/195.5, 195.6, 200.1, 200.2, 209.11,  
2/209.12, 209.13

See application file for complete search history.

(56) **References Cited**

**U.S. PATENT DOCUMENTS**

79,420	A *	6/1868	Waterman et al.	2/209.7
251,572	A *	12/1881	Goldmann	2/172
361,717	A *	4/1887	Portman	2/181
554,378	A *	2/1896	Rowland	2/200.1
1,148,586	A *	8/1915	Henderson	2/195.1
1,481,541	A *	1/1924	Douglas	2/172
1,795,423	A *	3/1931	Bullard	2/416
2,007,821	A	7/1935	Uriwal	
2,416,062	A	2/1947	Mercer	
2,475,794	A *	7/1949	Libshutz	2/181

2,616,092	A *	11/1952	Berg	2/209.5
2,629,103	A *	2/1953	Berg	2/209.5
2,742,646	A *	4/1956	Berg	2/195.4
3,025,529	A *	3/1962	Hanna et al.	2/195.3
3,077,607	A *	2/1963	Bregenzer	2/172
4,179,753	A	12/1979	Aronberg et al.	
D284,804	S *	7/1986	Satterfield	D2/879
D290,422	S *	6/1987	Brouman	D2/866
D303,314	S *	9/1989	Pridgen	D2/866
D324,193	S	2/1992	Wen-Long	
D340,344	S *	10/1993	McPherson	D2/884
5,509,145	A	4/1996	Stevenson et al.	
5,511,249	A	4/1996	Higgins	
D374,114	S	10/1996	Arroyo et al.	
D374,548	S	10/1996	Hartland	
D378,238	S *	3/1997	Anderson	D2/869
D390,687	S	2/1998	Kazel	
5,799,334	A	9/1998	Griffith et al.	
5,860,167	A	1/1999	Lizio	
D405,590	S	2/1999	Bartz	
5,933,872	A	8/1999	Lema	

(Continued)

*Primary Examiner* — Karen E Eldridge Powers

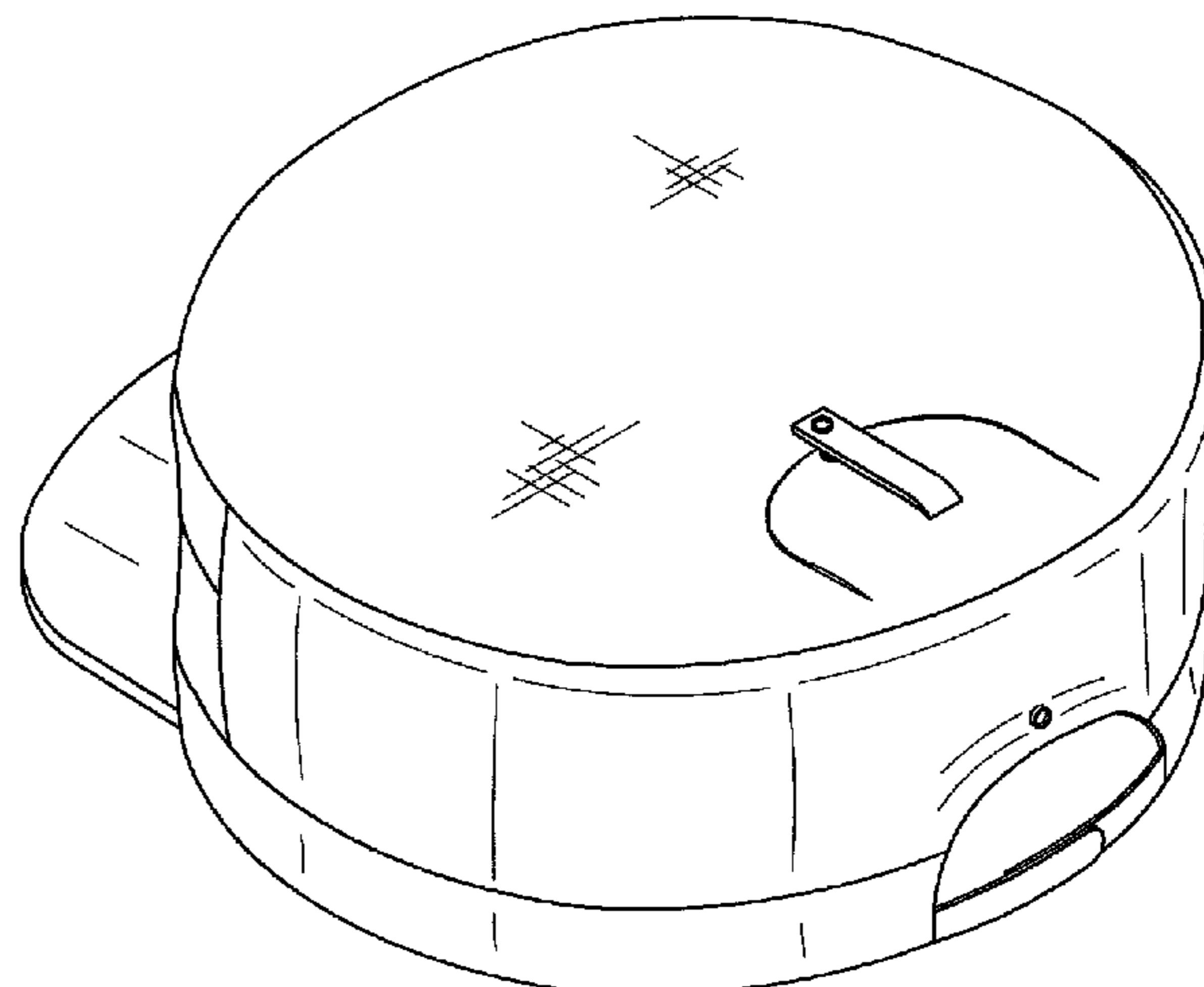
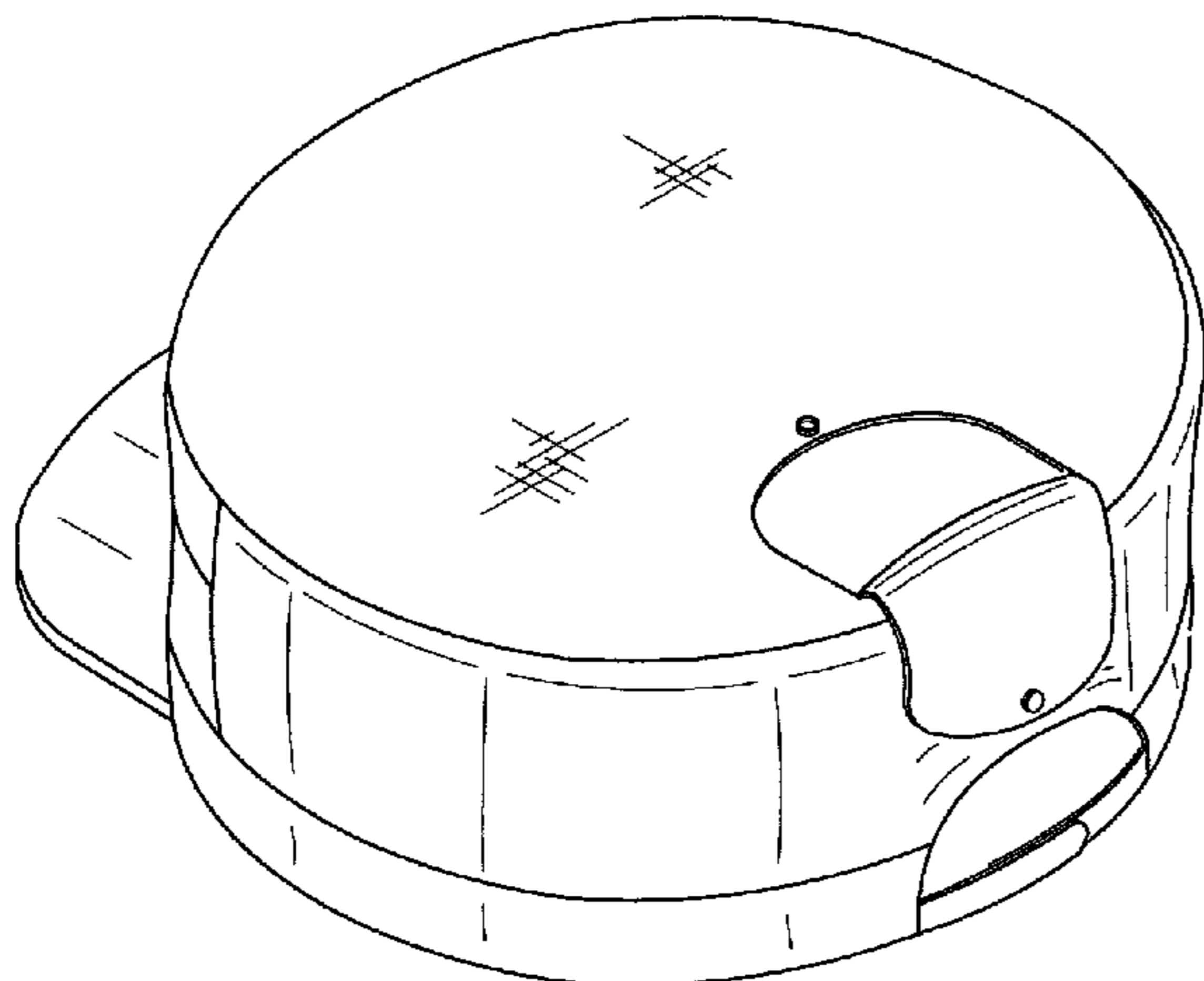
(57) **CLAIM**

The ornamental design for a military cap with ponytail hole, as shown and described.

**DESCRIPTION**

FIG. 1 is a back perspective view of a ponytail accessible military cap showing my new design with the flap in the open position;  
FIG. 2 is a side elevation view thereof;  
FIG. 3 is an opposite side elevation view thereof;  
FIG. 4 is a back elevation view thereof;  
FIG. 5 is a front elevation view thereof;  
FIG. 6 is a top plan view thereof;  
FIG. 7 is a bottom plan view thereof; and,  
FIG. 8 is another back perspective view of a ponytail accessible military cap, with the flap in the closed position thereof.

**1 Claim, 7 Drawing Sheets**





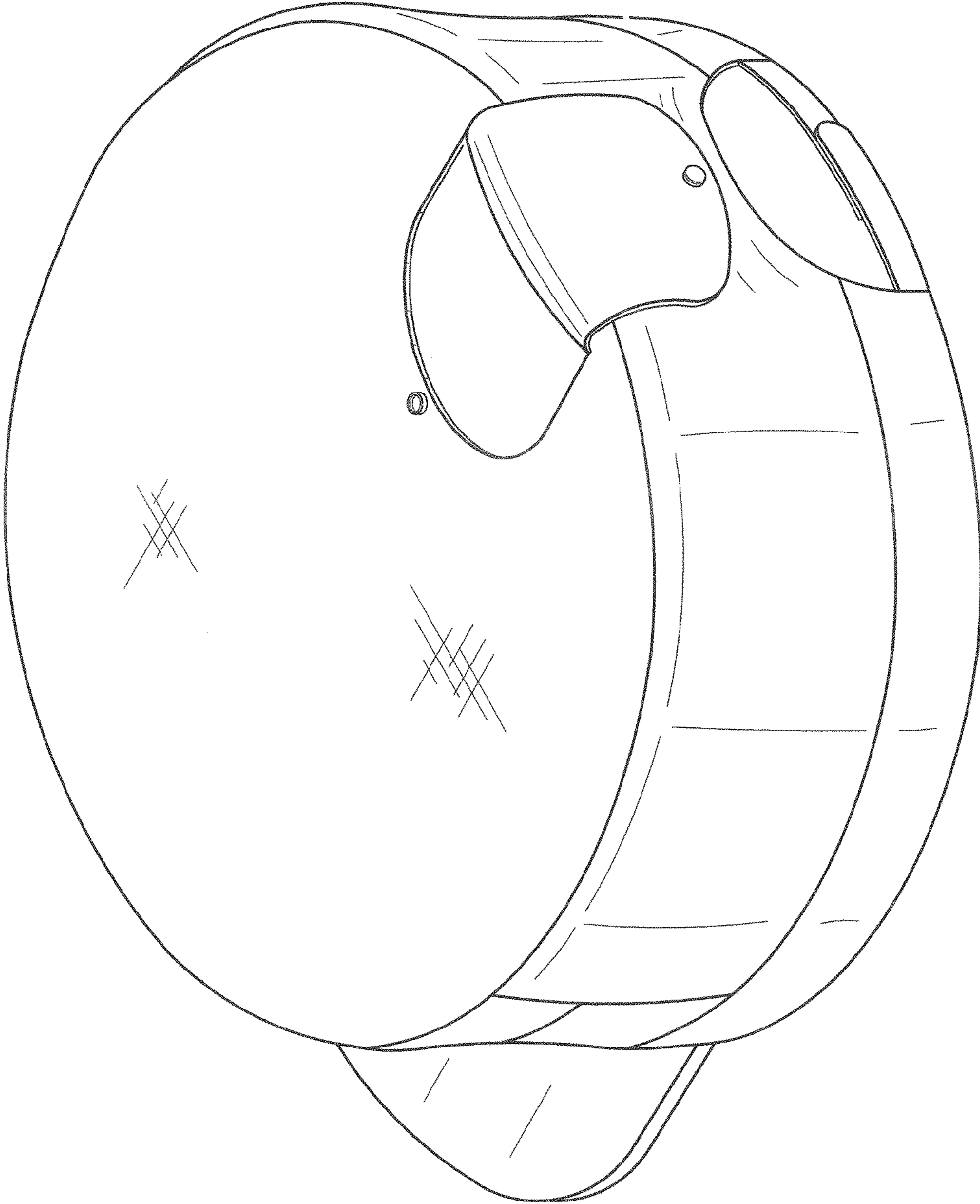


FIG. 1

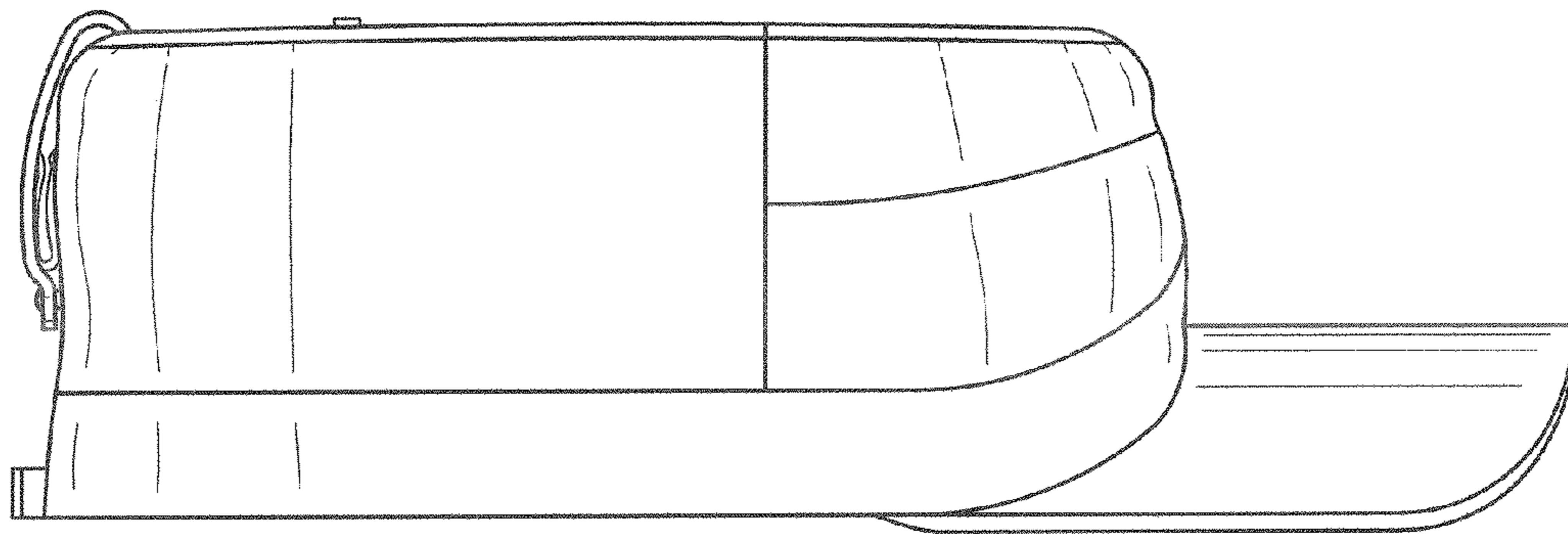


FIG. 2

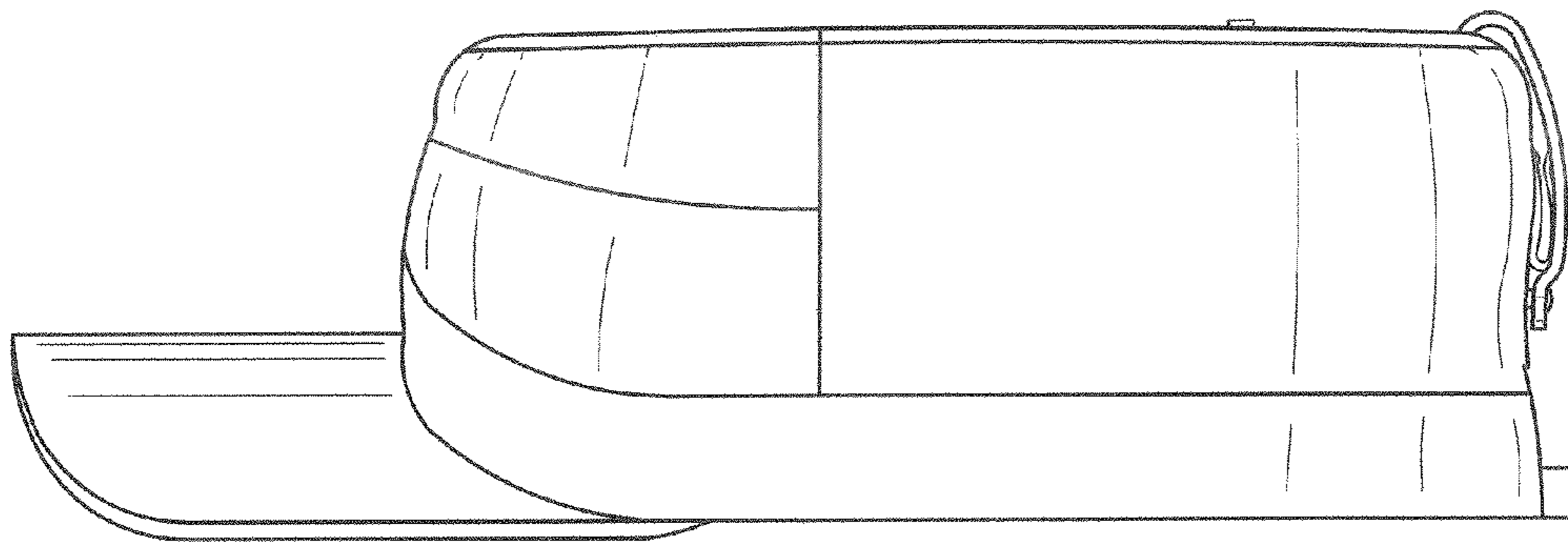


FIG. 3

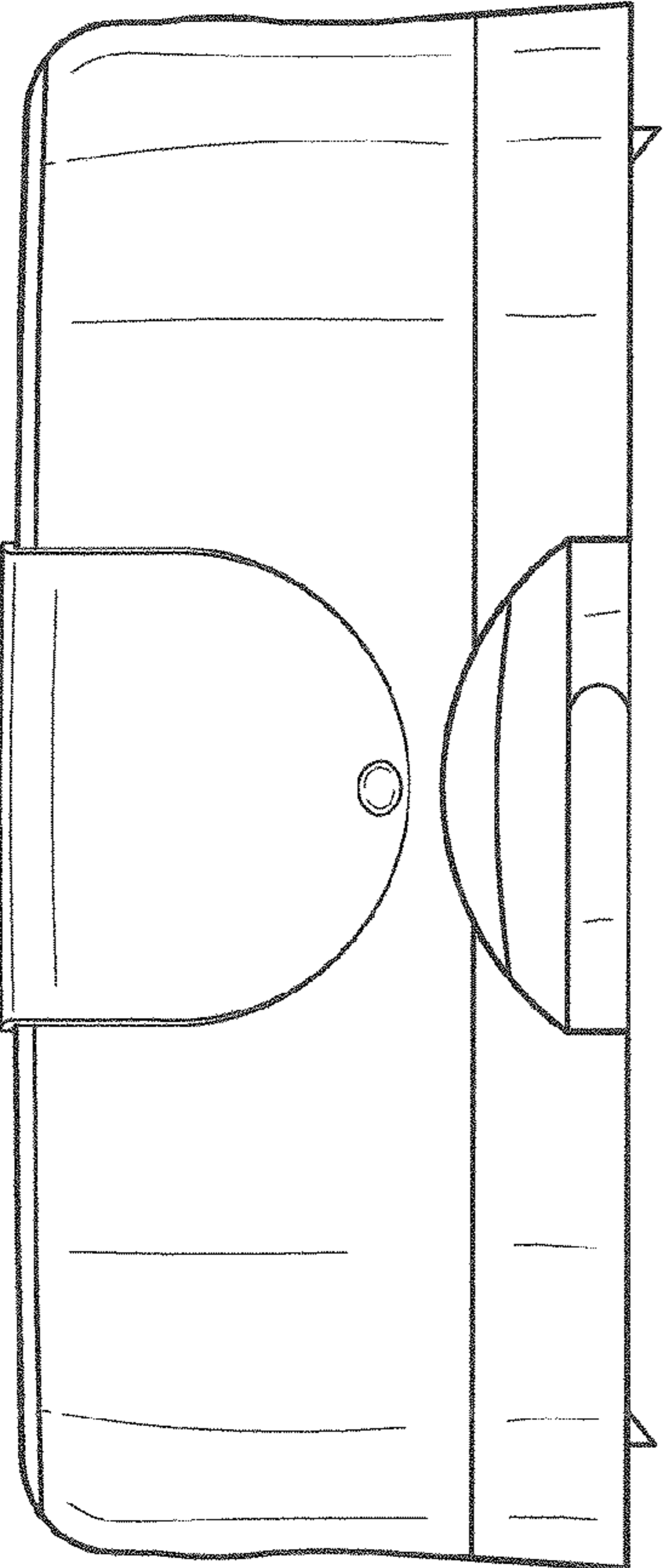


FIG. 4

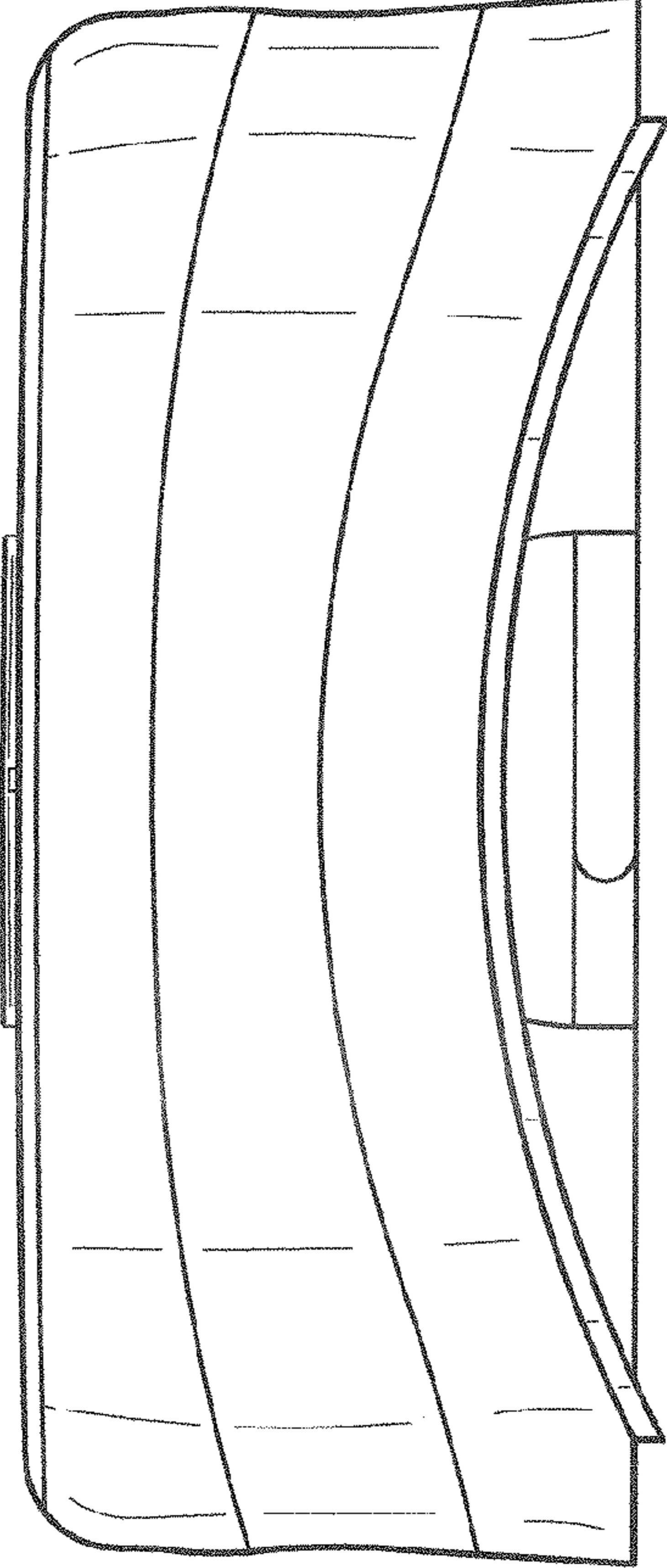


FIG. 5

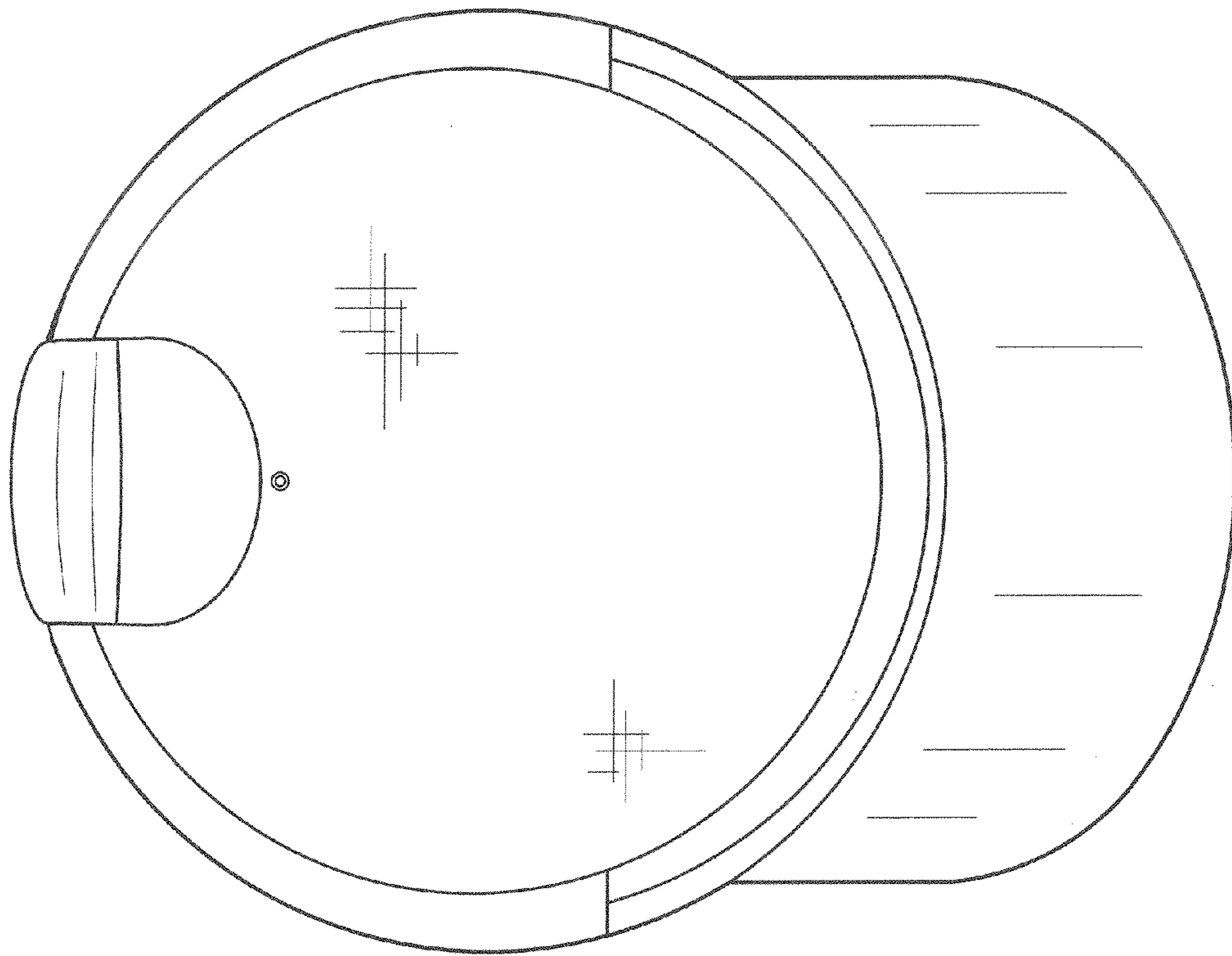


FIG. 6

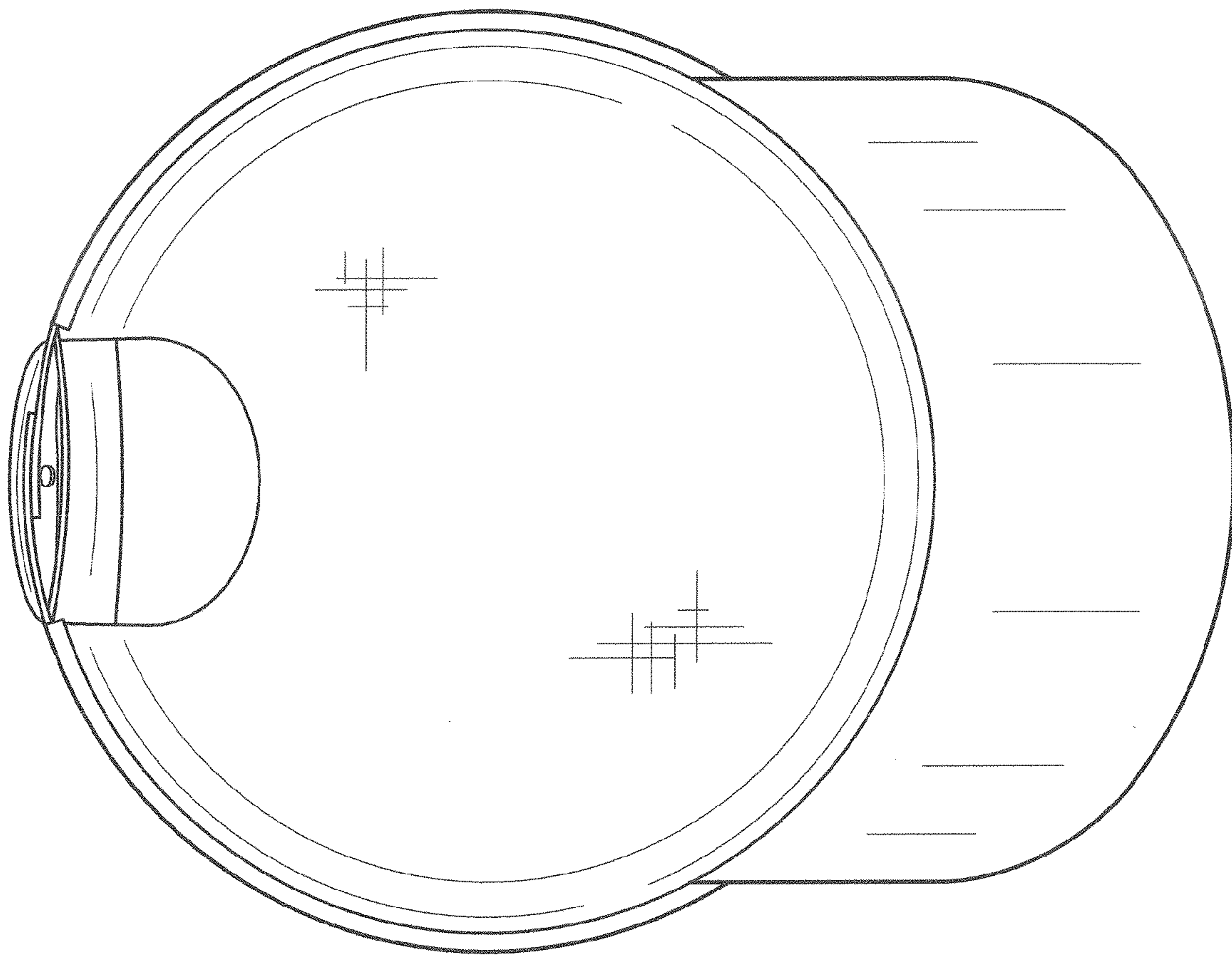


FIG. 7



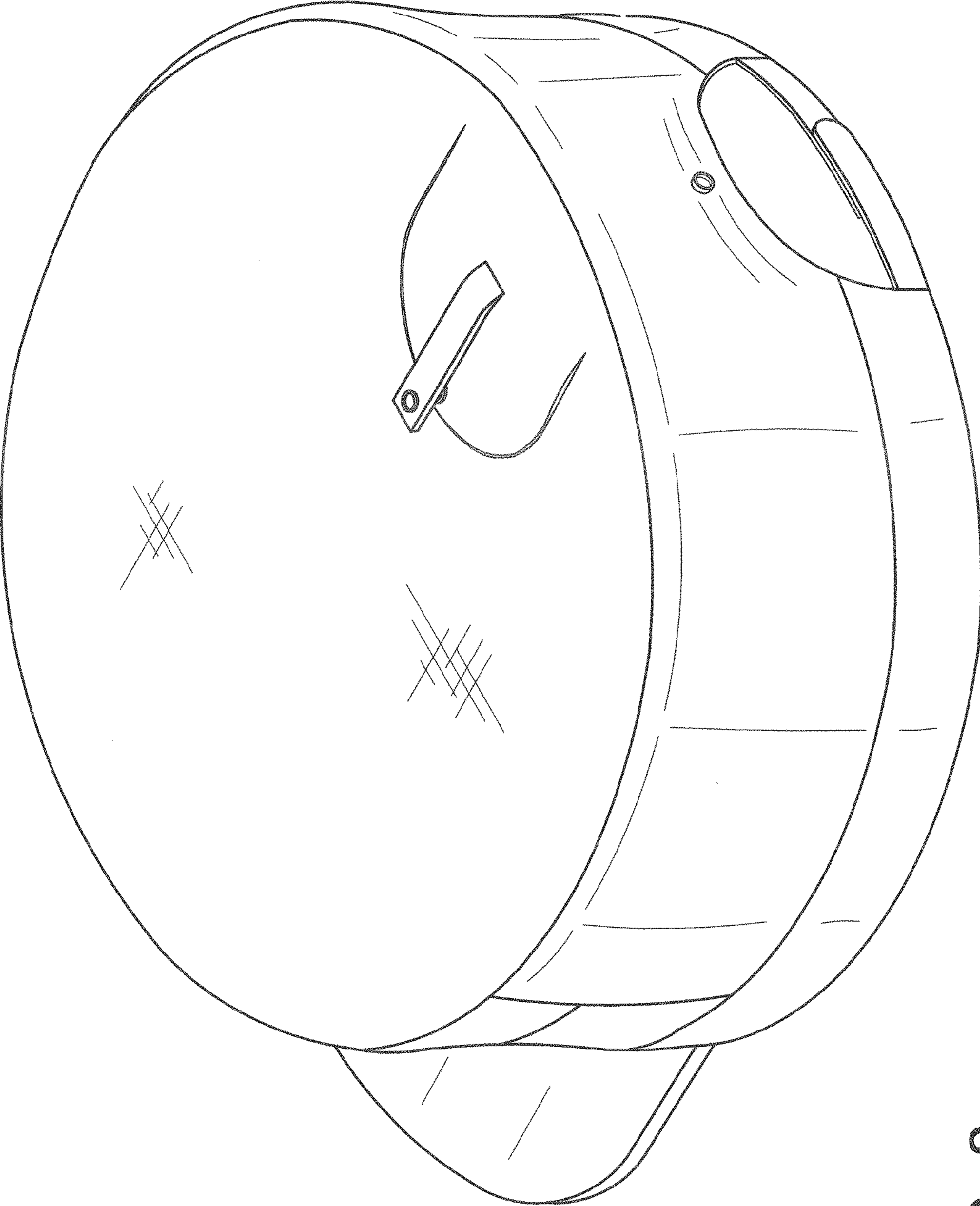


FIG. 8