



US00D697285S

(12) **United States Design Patent**  
**Greenspon**

(10) **Patent No.:** **US D697,285 S**  
(45) **Date of Patent:** **\*\* Jan. 7, 2014**

(54) **STORAGE CART**

(71) Applicant: **Honey-Can-Do International, LLC,**  
Berkeley, IL (US)

(72) Inventor: **Steve Greenspon,** Lemont, IL (US)

(73) Assignee: **Honey-Can-Do International, LLC,**  
Berkeley, IL (US)

(\*\*) Term: **14 Years**

(21) Appl. No.: **29/441,964**

(22) Filed: **Jan. 11, 2013**

(51) **LOC (10) Cl.** ..... **12-02**

(52) **U.S. Cl.**  
USPC ..... **D34/21**

(58) **Field of Classification Search**  
USPC ..... D34/12-27; D6/671, 671.1, 672, 675;  
280/641, 47.35, 79.3, 33.991, 79.11,  
280/79.2

See application file for complete search history.

(56) **References Cited**

**U.S. PATENT DOCUMENTS**

5,016,948 A \* 5/1991 Welch et al. .... 312/249.12  
5,765,842 A \* 6/1998 Phaneuf et al. .... 280/47.35

D487,604 S \* 3/2004 Van Landingham, Jr. .... D34/12  
7,044,569 B1 \* 5/2006 Relyea et al. .... 312/249.11  
7,188,847 B1 \* 3/2007 Friedman ..... 280/47.35  
D653,010 S \* 1/2012 Shen et al. .... D34/19

\* cited by examiner

*Primary Examiner* — Cynthia Ramirez

(74) *Attorney, Agent, or Firm* — Adam K. Sacharoff

(57) **CLAIM**

The ornamental design for a storage cart, as shown and described.

**DESCRIPTION**

FIG. 1 is a front/right perspective view showing the new design;

FIG. 2 is a front side view of FIG. 1;

FIG. 3 is a back side view of FIG. 1;

FIG. 4 is a right side view of FIG. 1;

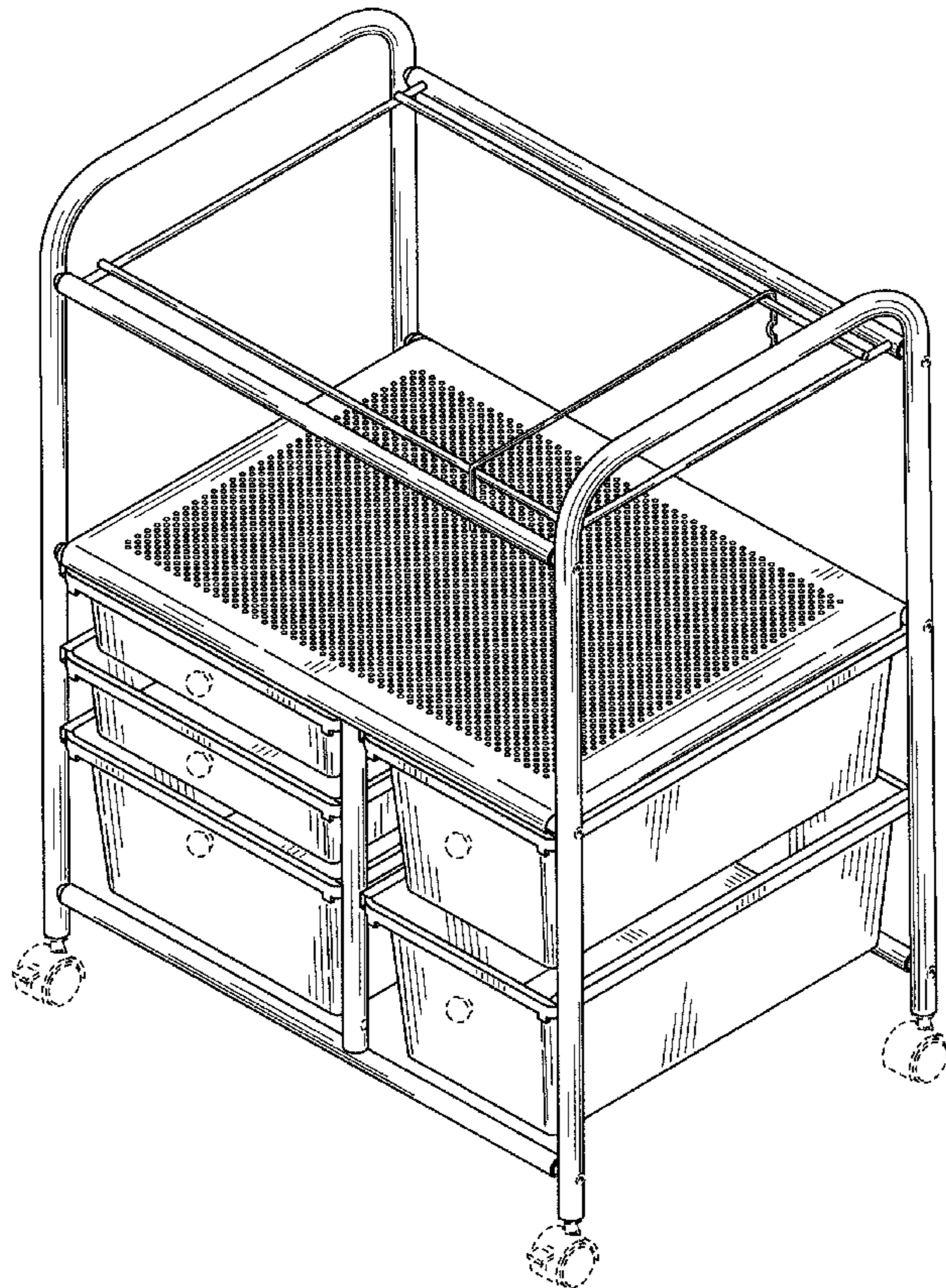
FIG. 5 is a left side view of FIG. 1;

FIG. 6 is a top side view of FIG. 1; and,

FIG. 7 is a bottom side view of FIG. 1.

The broken lines are for the purpose of illustrating portions of the environmental structure and forms no part of the claimed design.

**1 Claim, 6 Drawing Sheets**



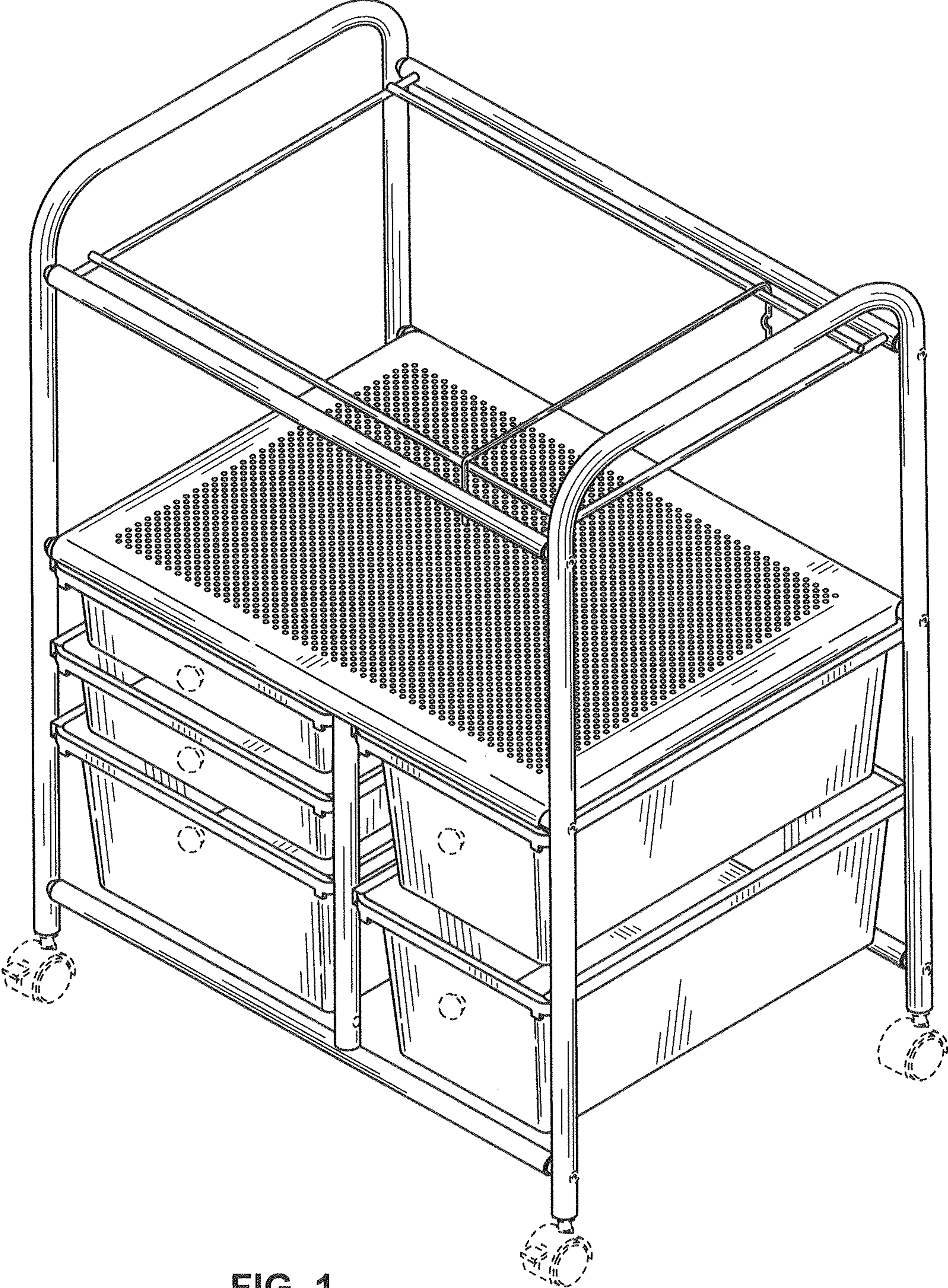


FIG. 1

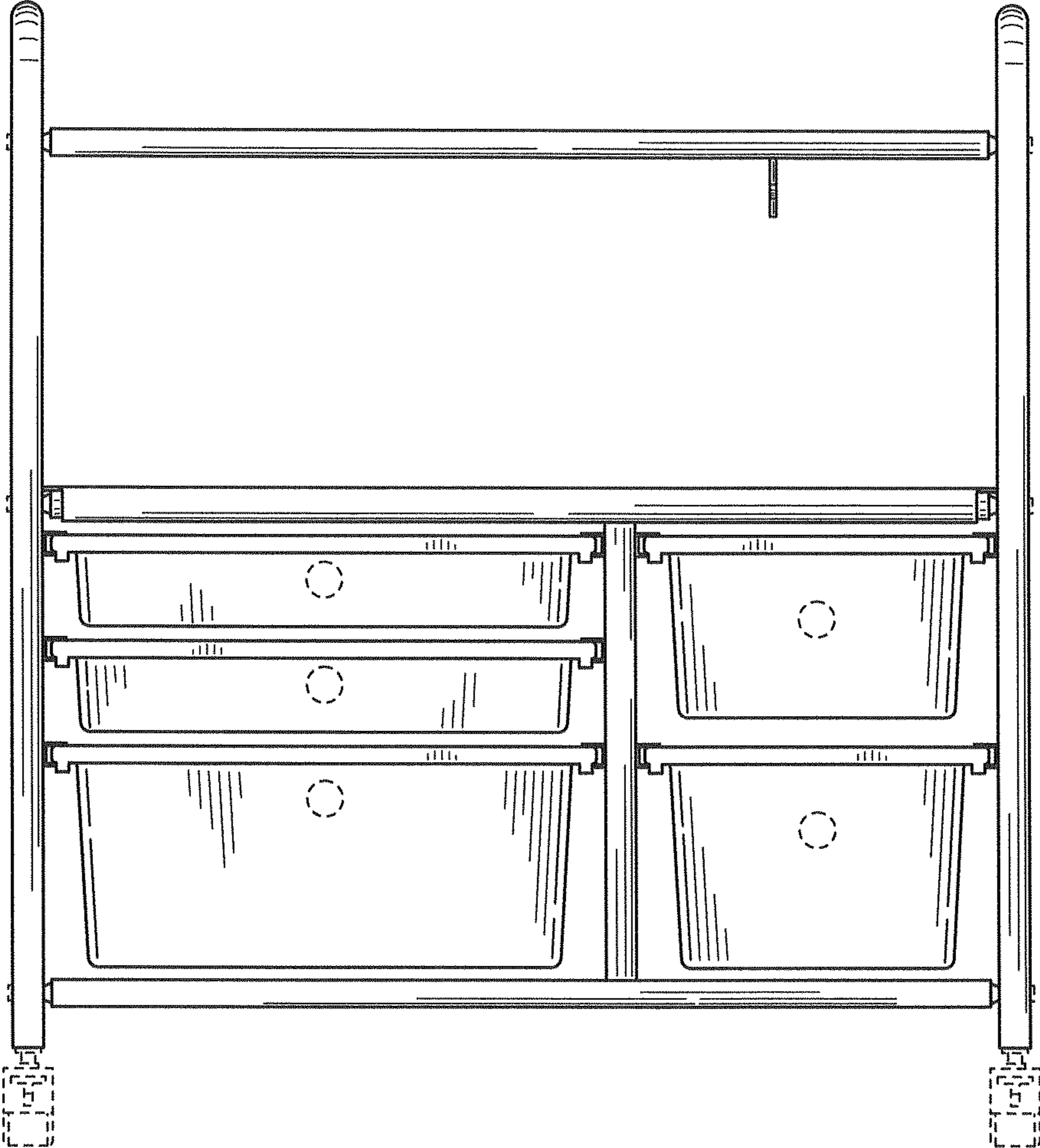


FIG. 2

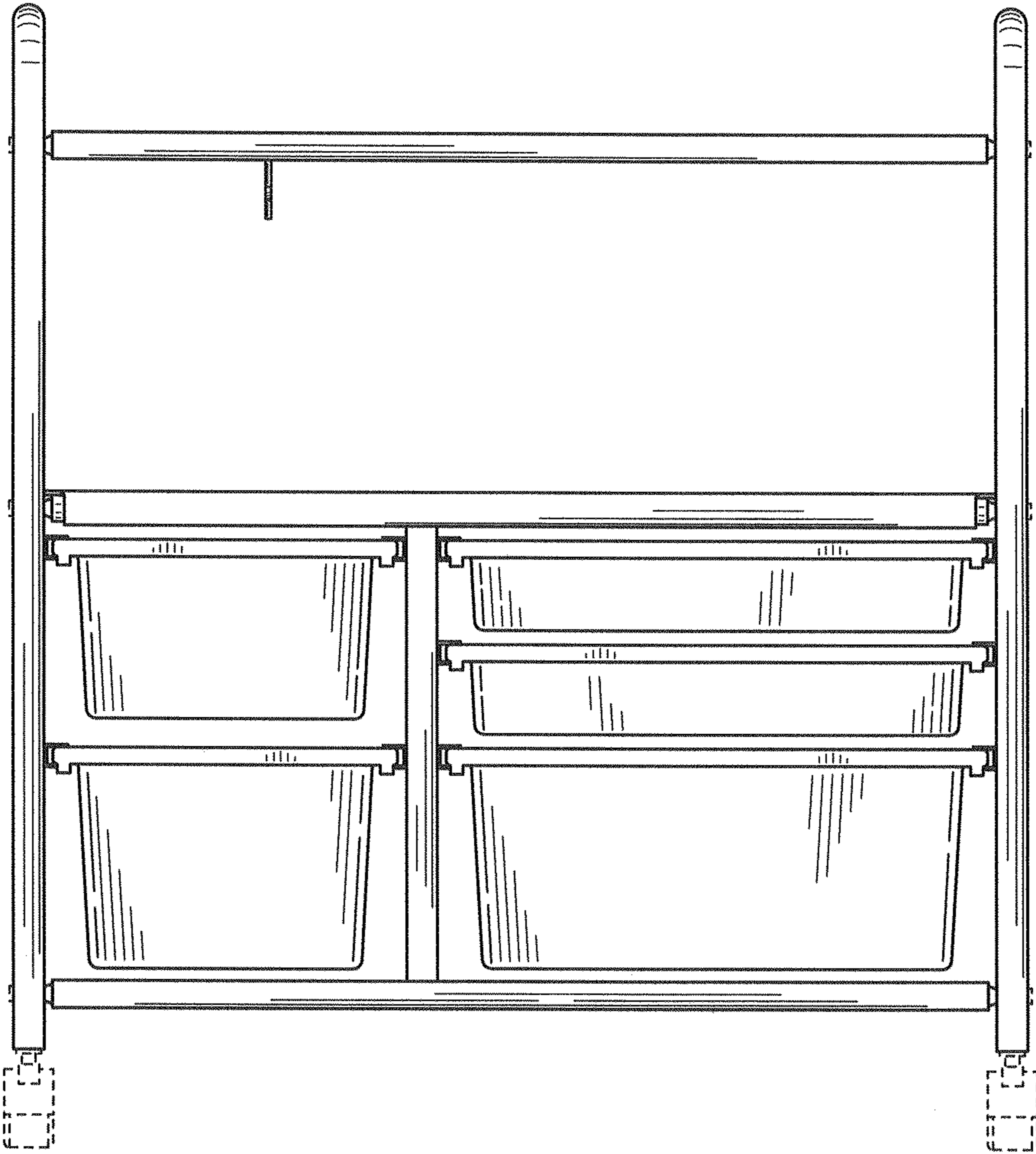


FIG. 3

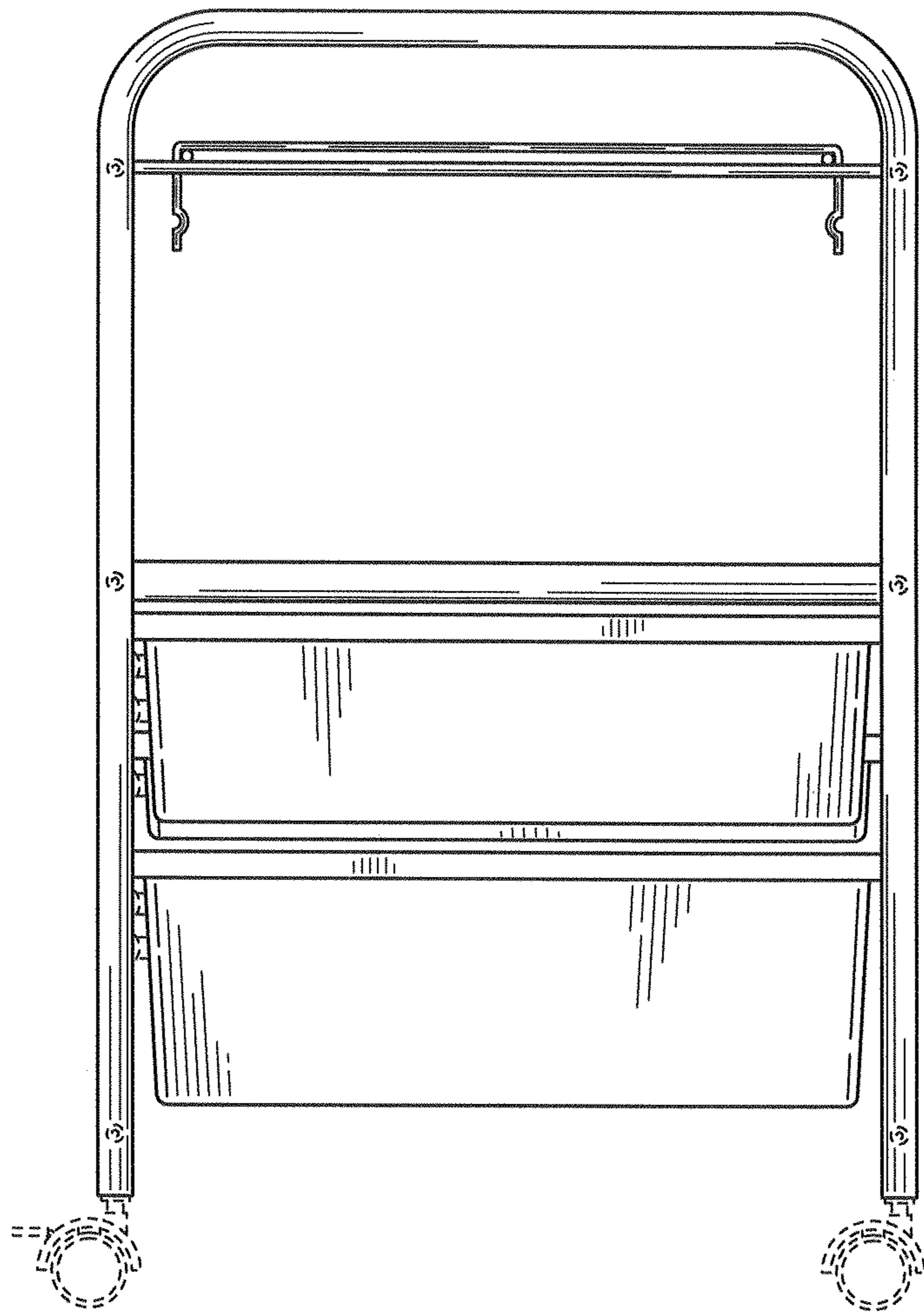


FIG. 4

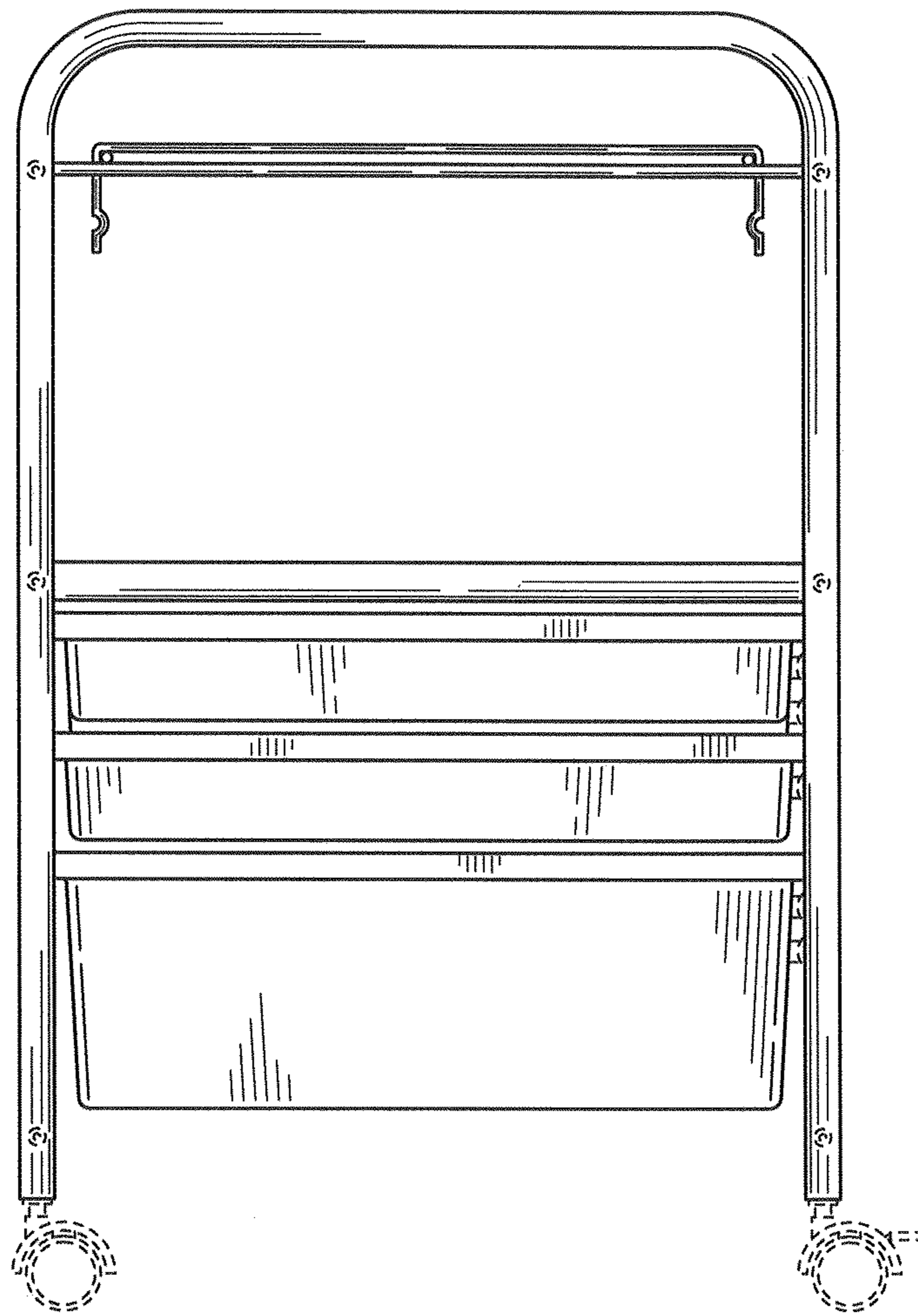


FIG. 5

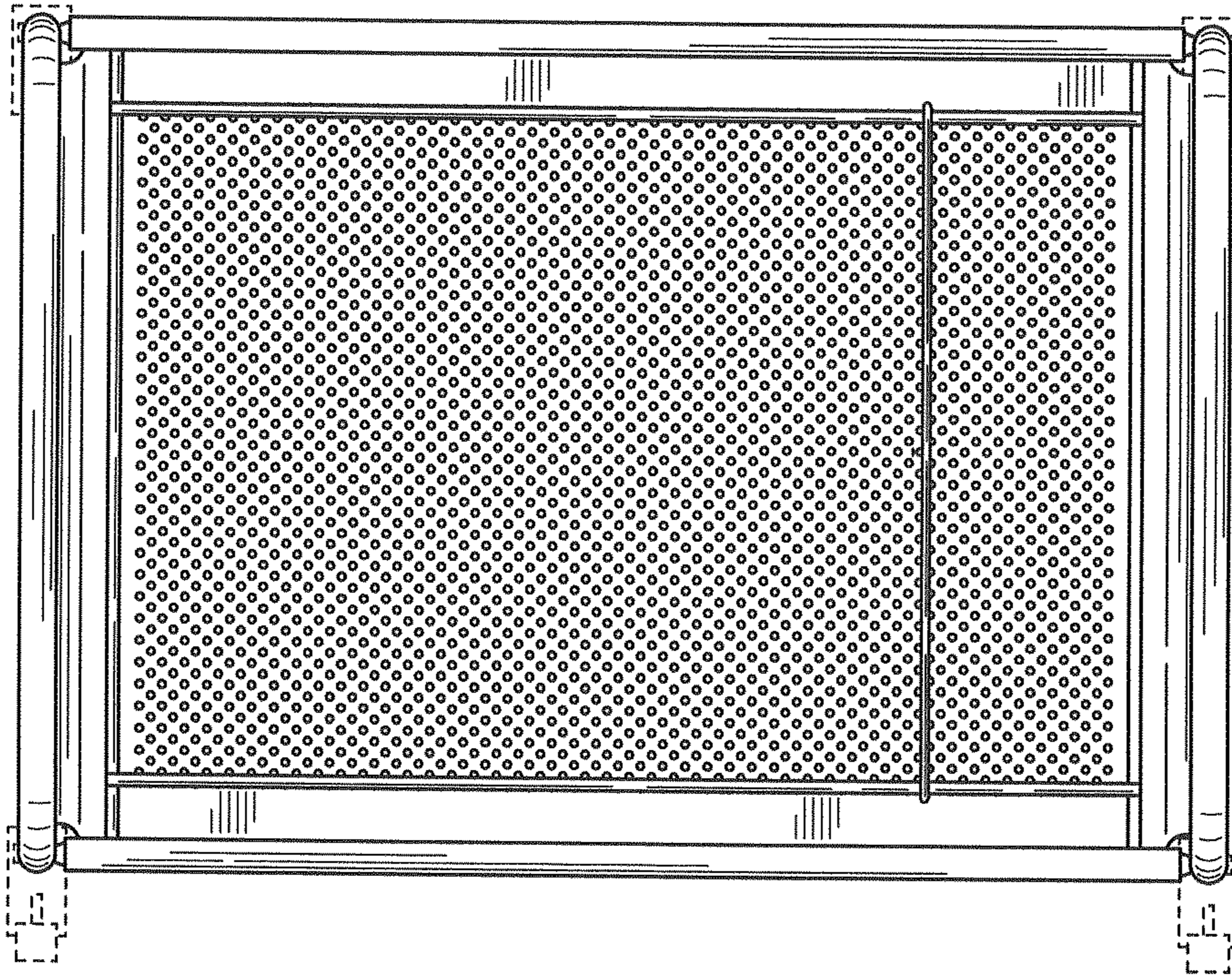


FIG. 6

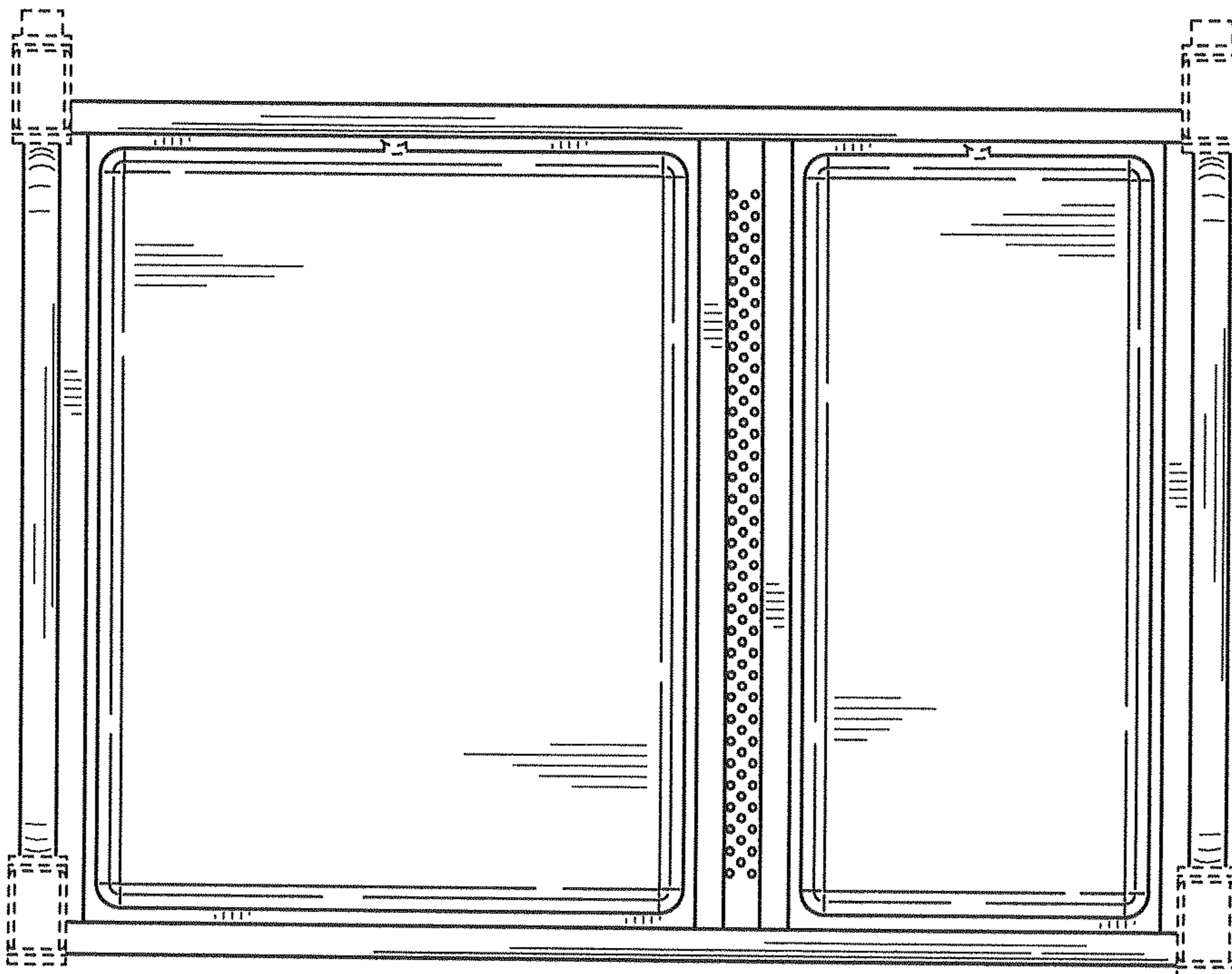


FIG. 7