



US00D697284S

(12) **United States Design Patent**
Ho et al.

(10) **Patent No.:** **US D697,284 S**
(45) **Date of Patent:** **** Jan. 7, 2014**

(54) **JANITORS CART**

(75) Inventors: **Maggie Man Kai Ho**, Broadmeadows (AU); **Frankie Ngan**, Broadmeadows (AU); **Karl Radolovic**, Broadmeadows (AU)

(73) Assignee: **E.D. Ates Pty Ltd.**, Victoria (AU)

(**) Term: **14 Years**

(21) Appl. No.: **29/424,435**

(22) Filed: **Jun. 12, 2012**

(30) **Foreign Application Priority Data**

Dec. 14, 2011 (AU) 15761/2011

(51) **LOC (10) Cl.** **12-02**

(52) **U.S. Cl.**
USPC **D34/12; D34/21; D34/17**

(58) **Field of Classification Search**
USPC D34/12-27; 280/79.11, 79.2, 79.3, 280/47.35, 47.34, 47.19; D6/478, 479, 481, D6/484, 487; 296/22; 312/249.8
See application file for complete search history.

(56) **References Cited**

U.S. PATENT DOCUMENTS

D137,626 S * 4/1944 Adams D34/21
3,877,744 A * 4/1975 Miller 296/22
D302,064 S * 7/1989 Delmerico D34/20

D313,878 S * 1/1991 Rinkewich D34/21
4,986,555 A * 1/1991 Andreen 280/47.35
D324,284 S * 2/1992 Welch D34/21
D349,988 S * 8/1994 Green D34/21
D361,187 S * 8/1995 Snell D34/21
D361,419 S * 8/1995 Snell D34/21
5,566,961 A * 10/1996 Snell et al. 280/47.35
D424,700 S * 5/2000 Horton D25/18
D424,773 S * 5/2000 Granberg D34/20
D425,279 S * 5/2000 Houry et al. D34/20
D455,881 S * 4/2002 Arvans D34/21
D461,941 S * 8/2002 Underbrink et al. D34/21
D474,570 S * 5/2003 Presnell et al. D34/21
D575,473 S * 8/2008 Presnell D34/27
D575,922 S * 8/2008 Presnell D34/27
D607,172 S * 12/2009 Catron D34/14
D624,271 S * 9/2010 Uhl et al. D34/17
D687,313 S * 8/2013 Limback D9/652

* cited by examiner

Primary Examiner — Cynthia Ramirez

(74) *Attorney, Agent, or Firm* — Brooks Kushman P.C.

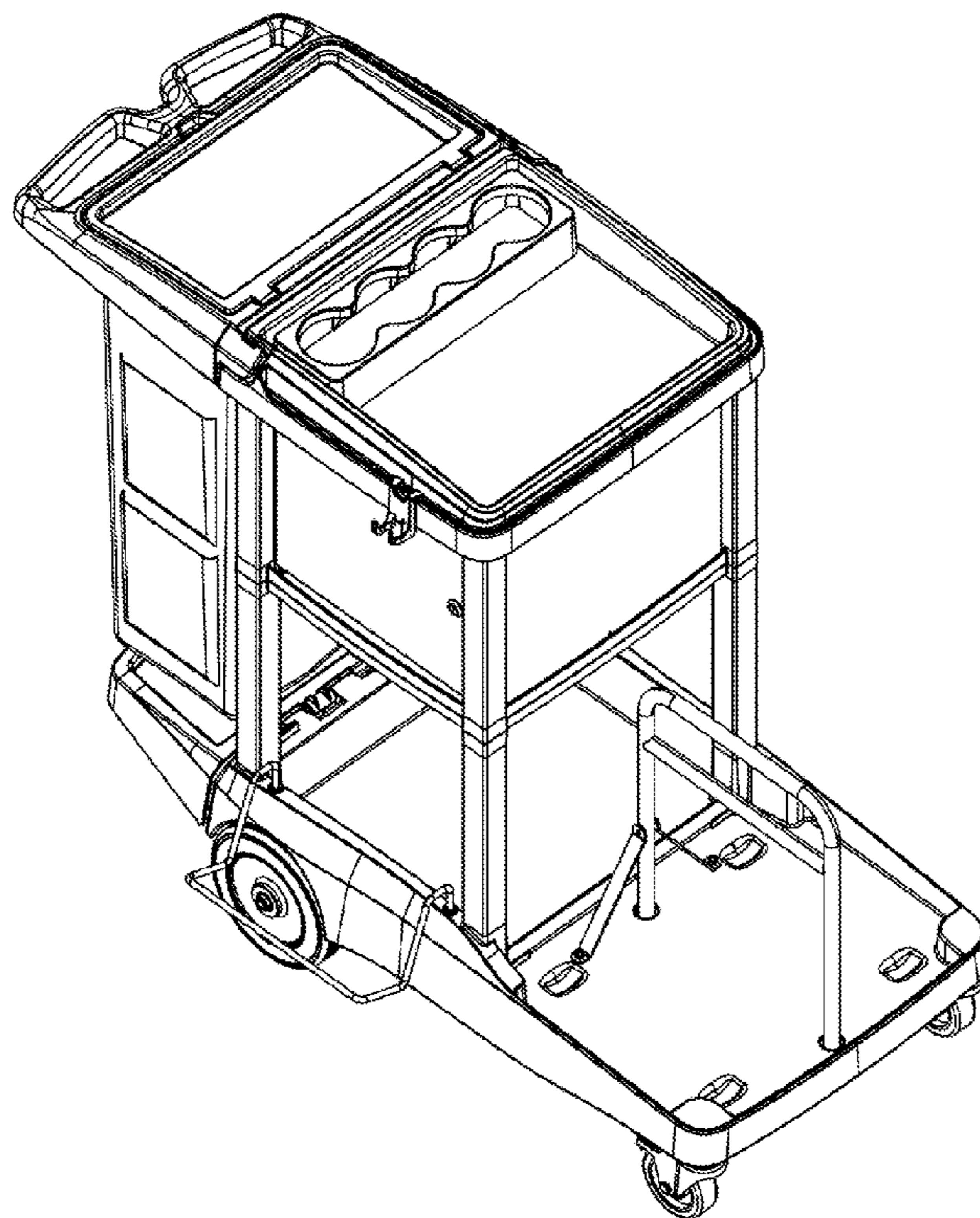
(57) **CLAIM**

The ornamental design for a janitors cart, as shown and described.

DESCRIPTION

FIG. 1 is a front and side perspective view;
FIG. 2 is a top plan view;
FIG. 3 is a left side elevational view; and,
FIG. 4 is an end view.

1 Claim, 3 Drawing Sheets



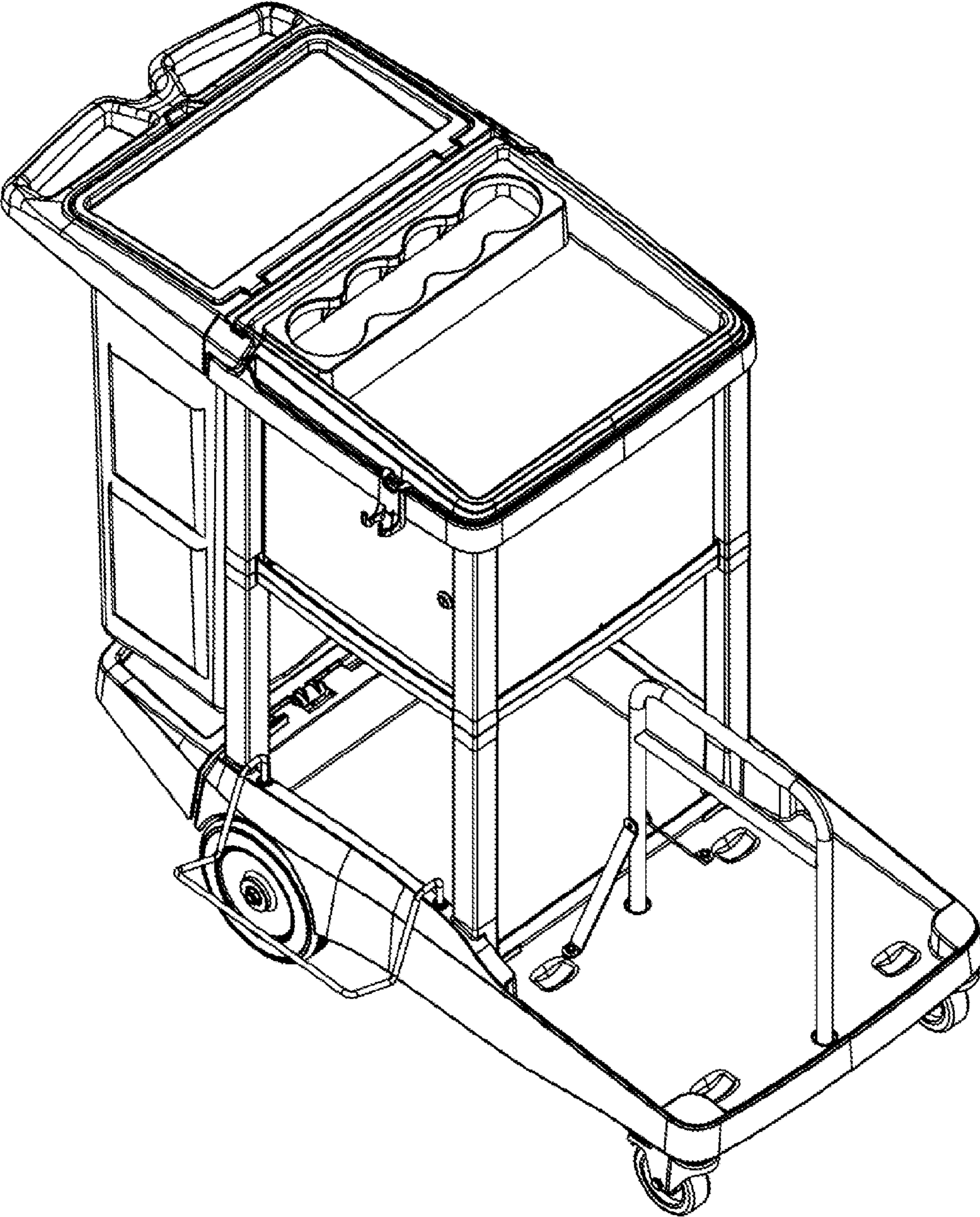


FIGURE 1

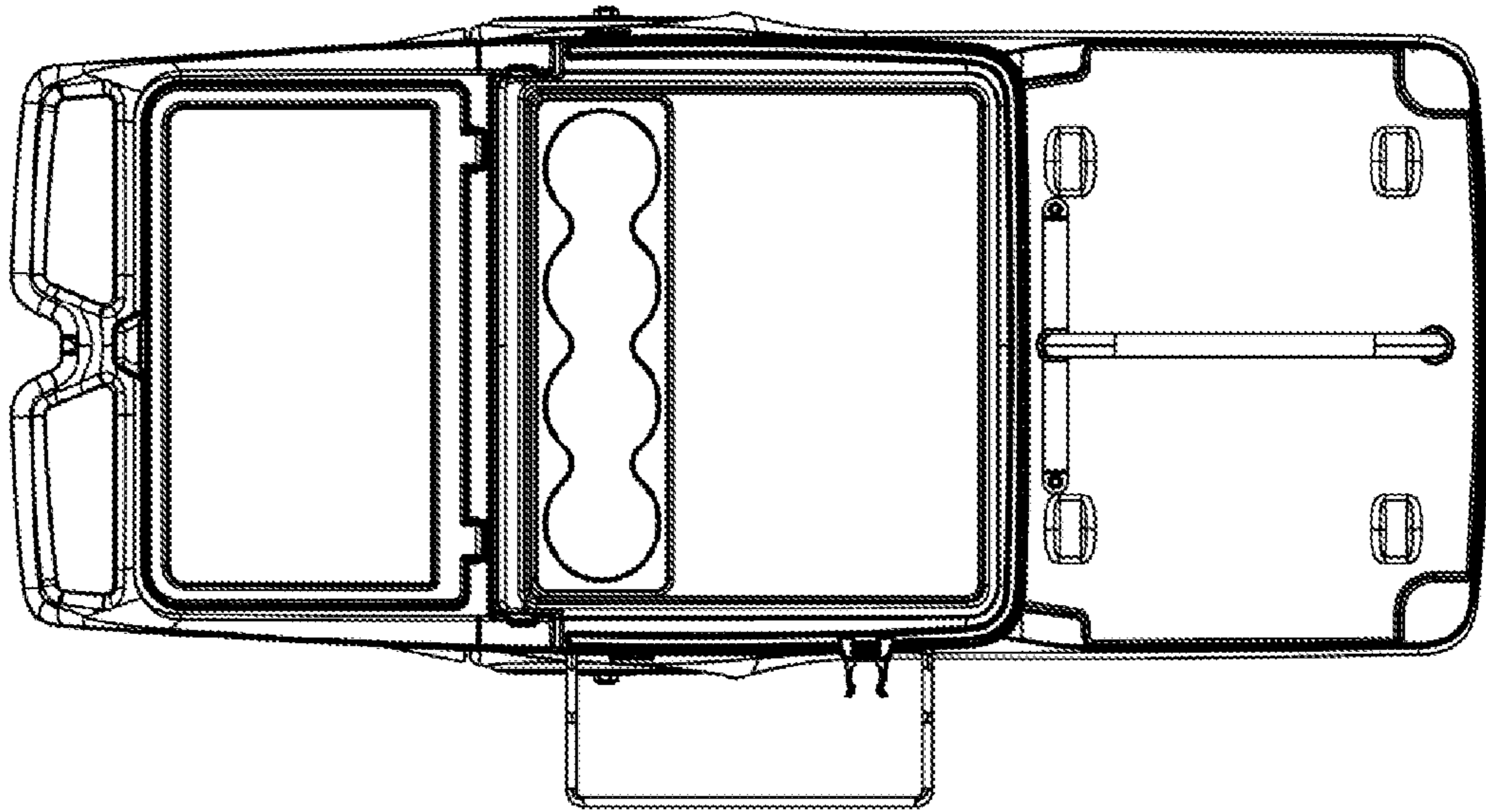


FIGURE 2

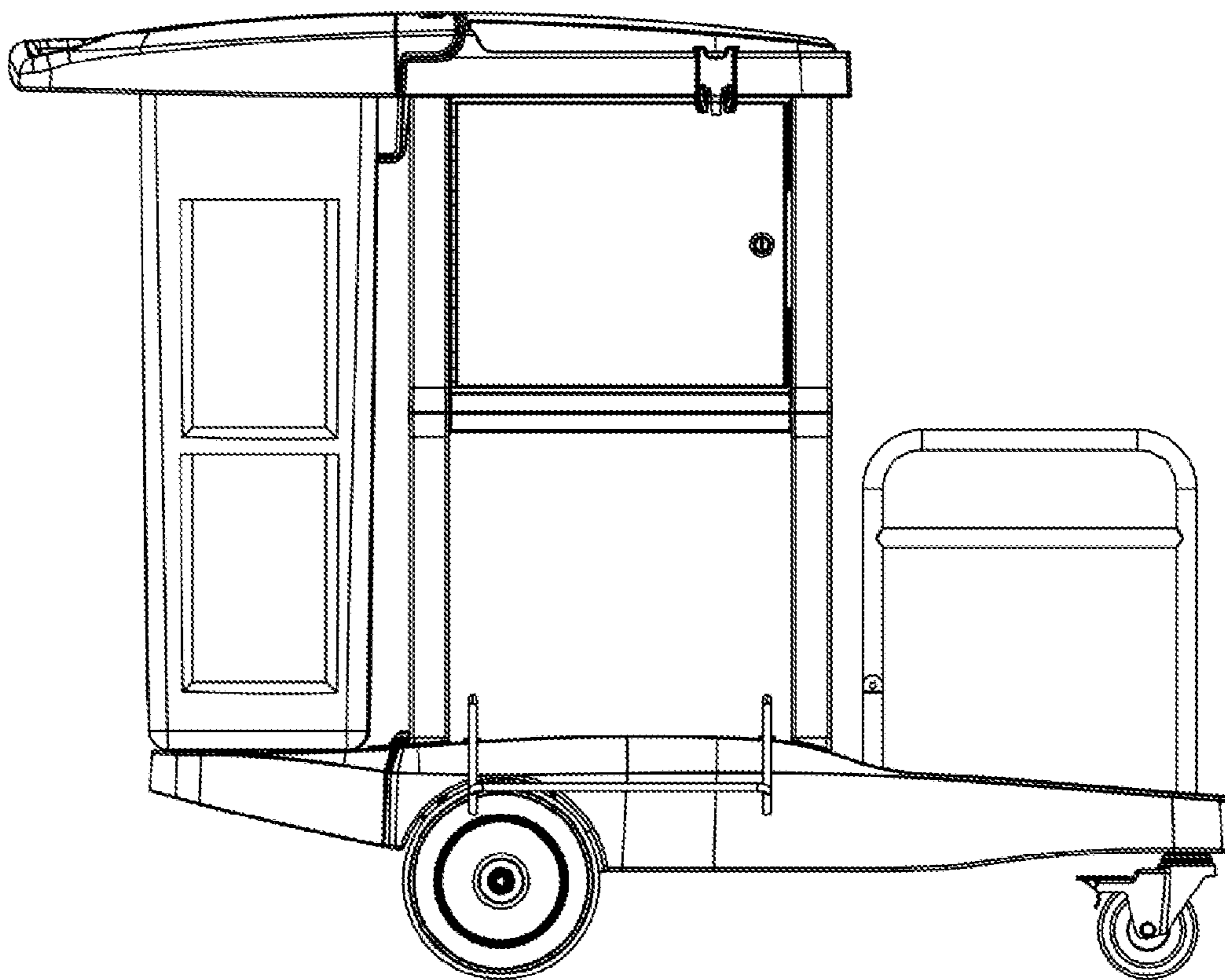


FIGURE 3

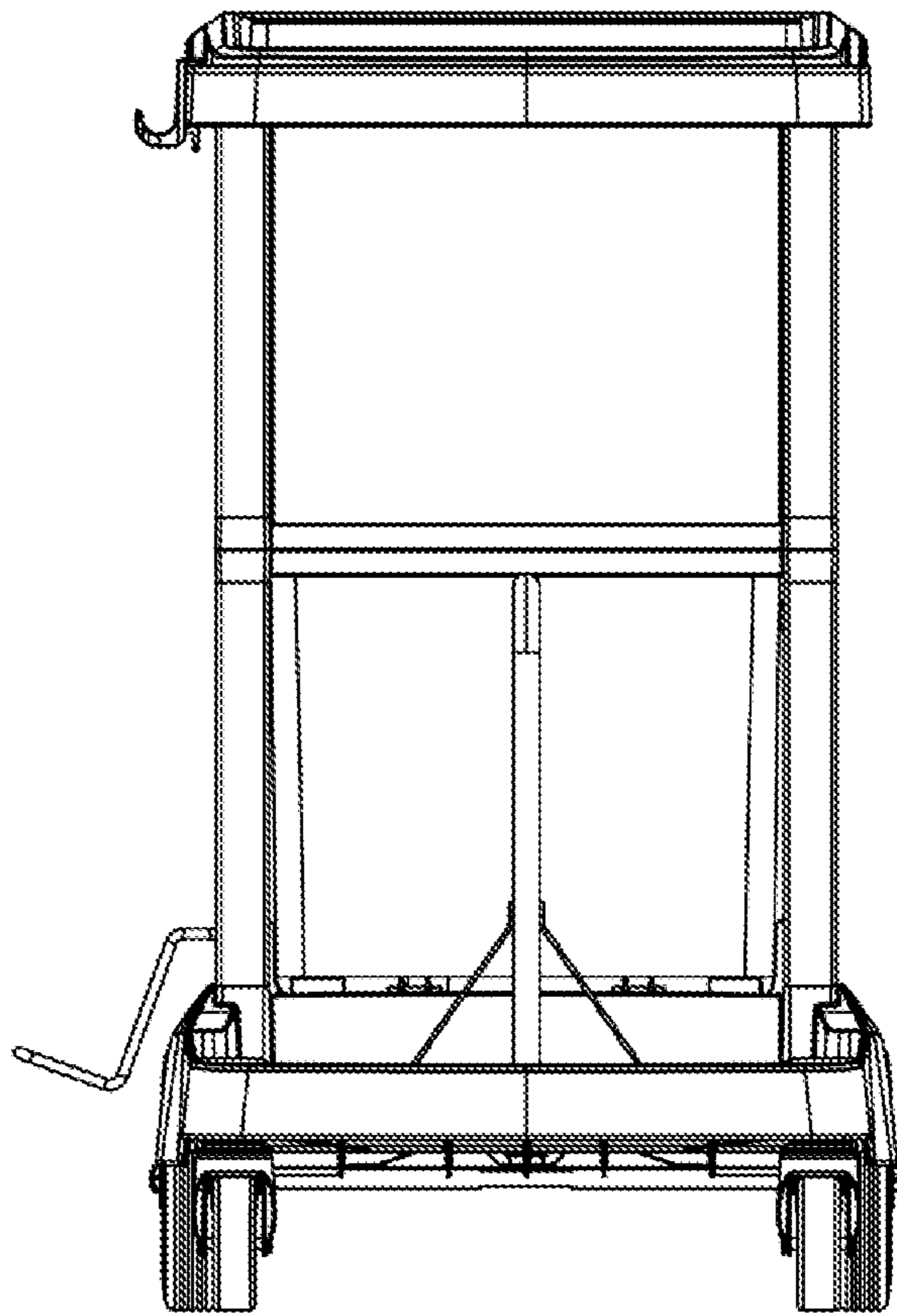


FIGURE 4

UNITED STATES PATENT AND TRADEMARK OFFICE
CERTIFICATE OF CORRECTION

PATENT NO. : D697,284 S
APPLICATION NO. : 29/424435
DATED : January 7, 2014
INVENTOR(S) : Maggie Man Kai Ho et al.

Page 1 of 1

It is certified that error appears in the above-identified patent and that said Letters Patent is hereby corrected as shown below:

On the title page:


Delete:

item “(73) Assignee: E.D. Ates Pty. Ltd”

and Insert

item --(73) Assignee: E.D. Oates Pty. Ltd.--

Signed and Sealed this
Twenty-seventh Day of May, 2014



Michelle K. Lee
Deputy Director of the United States Patent and Trademark Office