



US00D697282S

(12) **United States Design Patent**
James

(10) **Patent No.:** **US D697,282 S**
(45) **Date of Patent:** **** Jan. 7, 2014**

(54) **BAG OPENING TOOL**
(71) Applicant: **The Helping Hand Company**
(Ledbury) Limited, Ledbury (GB)

(72) Inventor: **Gavin James**, Ledbury (GB)

(73) Assignee: **The Helping Hand Company**
(Ledbury) Limited, Ledbury (GB)

(**) Term: **14 Years**

(21) Appl. No.: **29/439,948**

(22) Filed: **Dec. 18, 2012**

(30) **Foreign Application Priority Data**

Nov. 23, 2012 (EM) 002141333

(51) **LOC (10) Cl.** **09-09**

(52) **U.S. Cl.**
USPC **D34/5**

(58) **Field of Classification Search**
USPC D34/1-11; 248/95, 97, 99, 100, 101
See application file for complete search history.

(56) **References Cited**

U.S. PATENT DOCUMENTS

5,009,378 A * 4/1991 Linsmeyer et al. 248/99
5,031,948 A * 7/1991 Groth et al. 294/214
5,050,920 A * 9/1991 Potticary 294/214
D324,441 S * 3/1992 Werner D34/5
5,947,602 A * 9/1999 Coxsey 383/33

D426,364 S * 6/2000 King D34/6
7,007,991 B1 * 3/2006 Sapp 294/214
7,753,322 B1 * 7/2010 Peterson 248/99
D632,447 S * 2/2011 Lutz D34/6
D657,107 S * 4/2012 Fitzpatrick et al. D34/6

* cited by examiner

Primary Examiner — Cynthia Ramirez

(74) *Attorney, Agent, or Firm* — Pyprus Pte Ltd

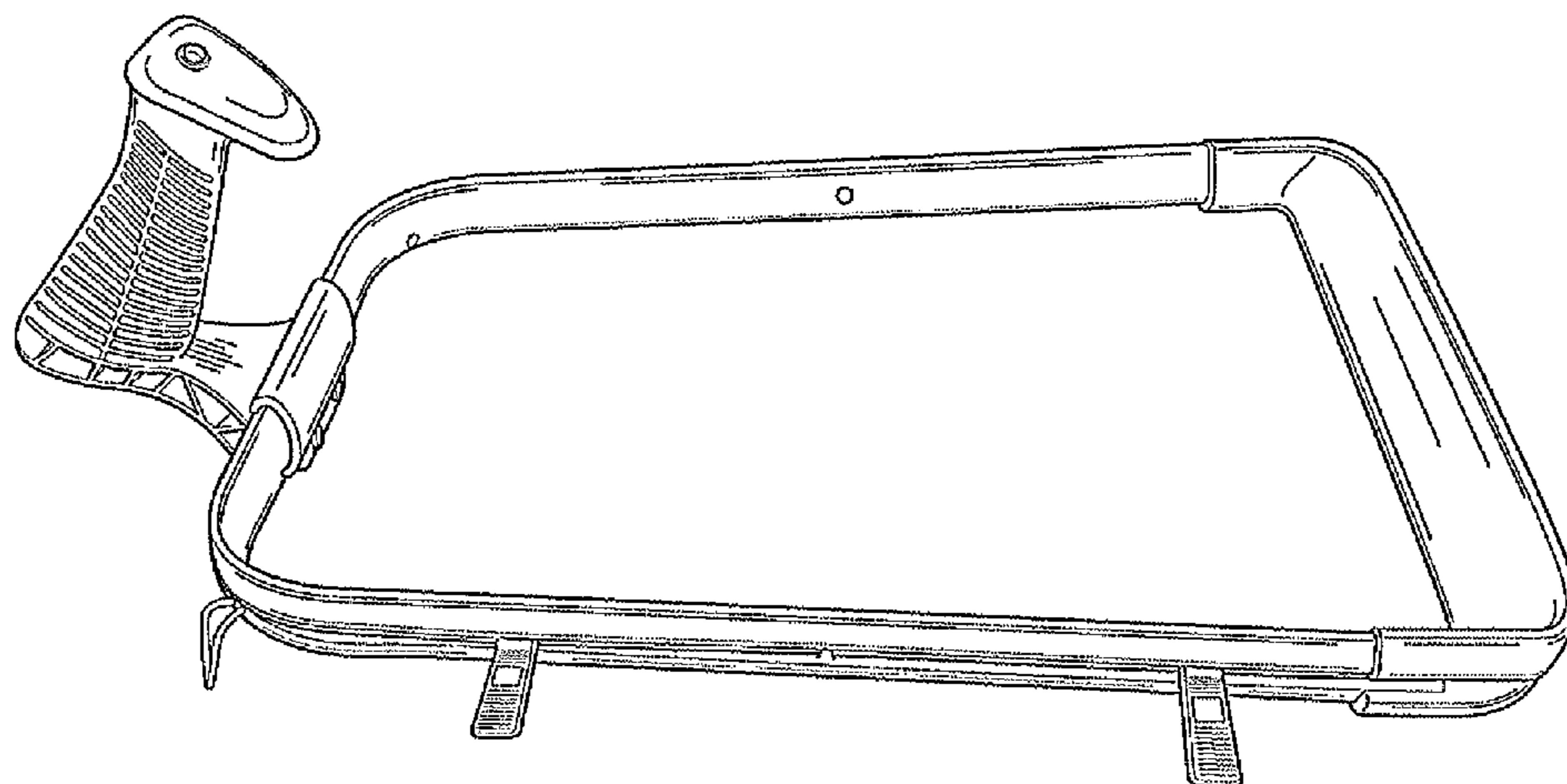
(57) **CLAIM**

The ornamental design for a bag opening tool, as shown and described.

DESCRIPTION

FIG. 1 is a perspective view of the bag opening tool, showing my new design;
FIG. 2 is a left view of the bag opening tool, as shown in FIG. 1;
FIG. 3 is a right view of the bag opening tool, as shown in FIG. 1;
FIG. 4 is a rear view of the bag opening tool, as shown in FIG. 1;
FIG. 5 is a front view of the bag opening tool, as shown in FIG. 1;
FIG. 6 is a top view of the bag opening tool, as shown in FIG. 1; and,
FIG. 7 is a bottom view of the bag opening tool, as shown in FIG. 1.

1 Claim, 7 Drawing Sheets



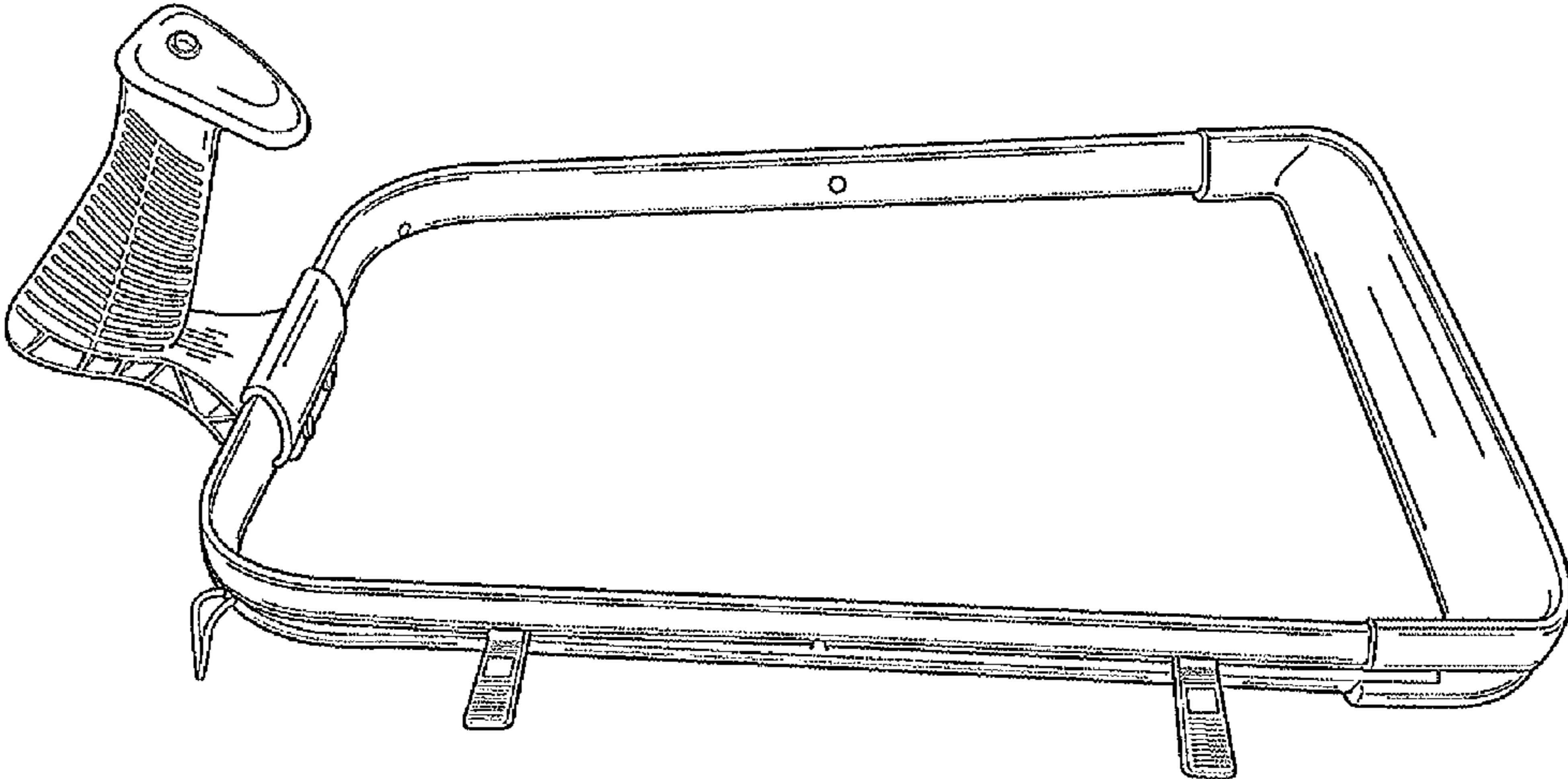


Fig. 1

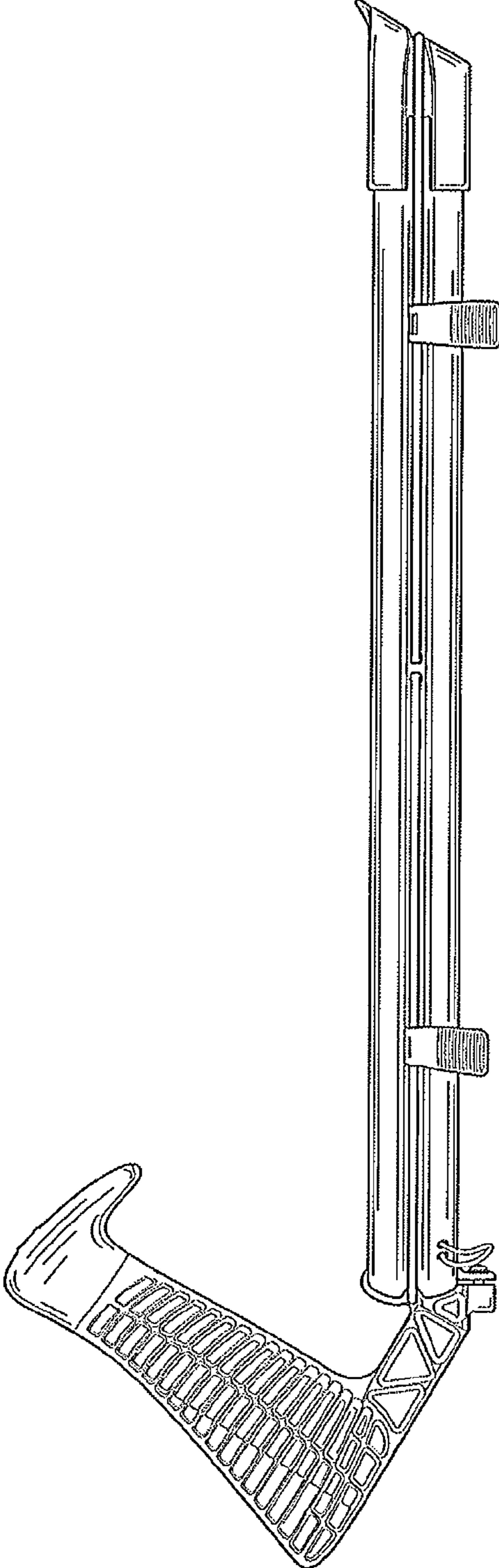


Fig. 2

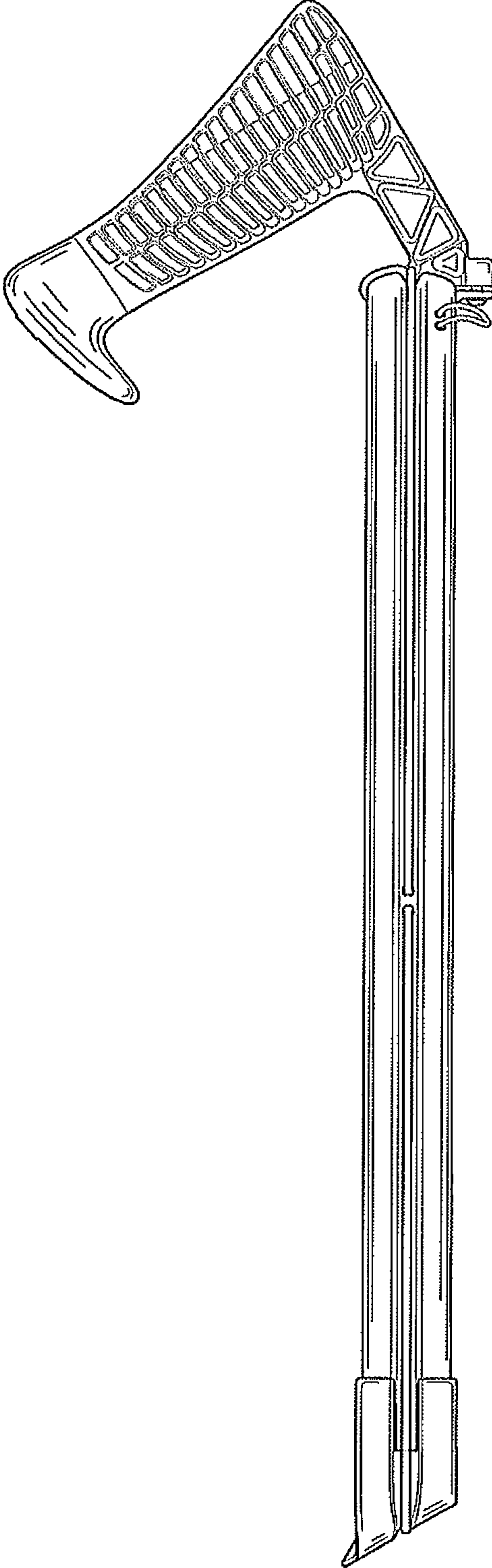


Fig. 3

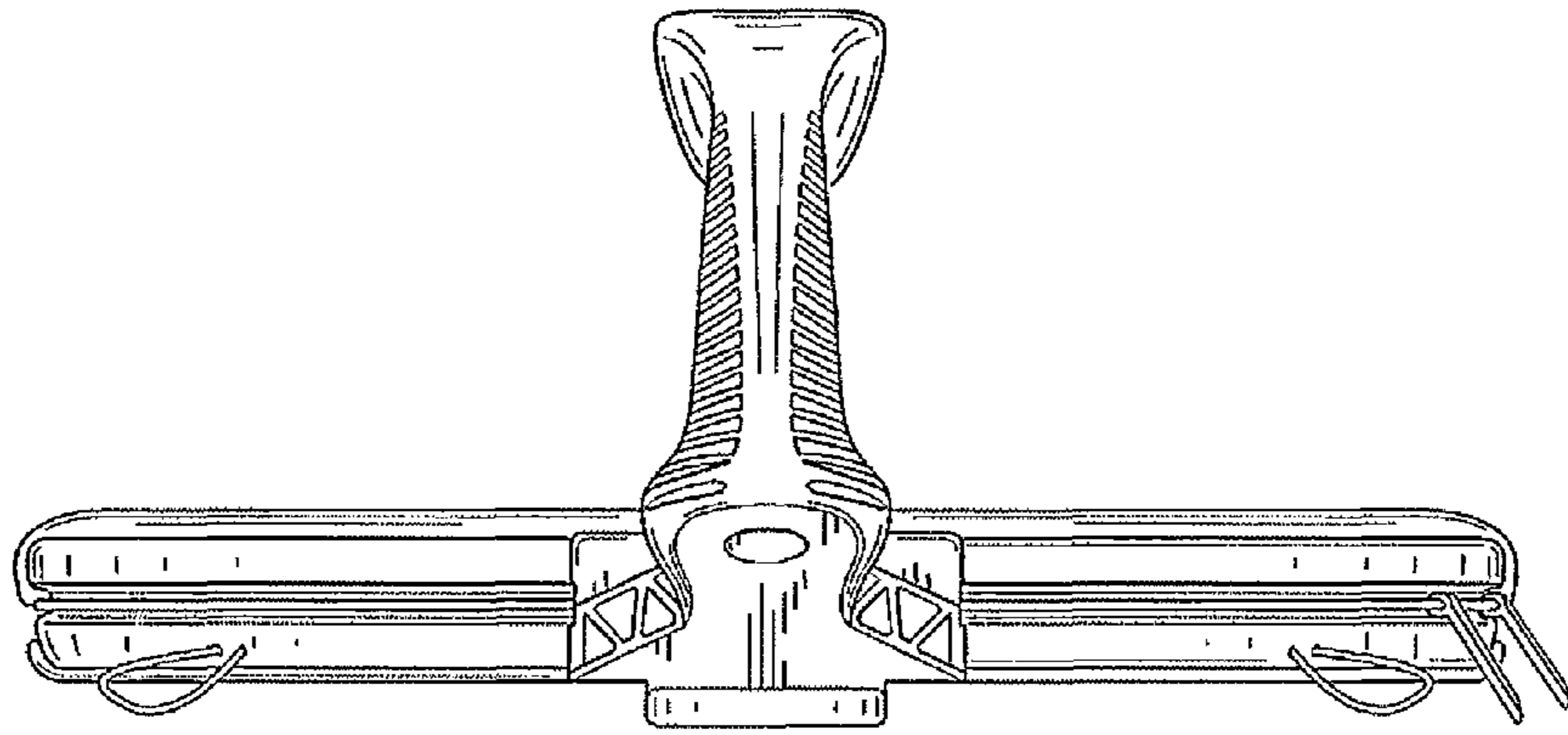


Fig. 4

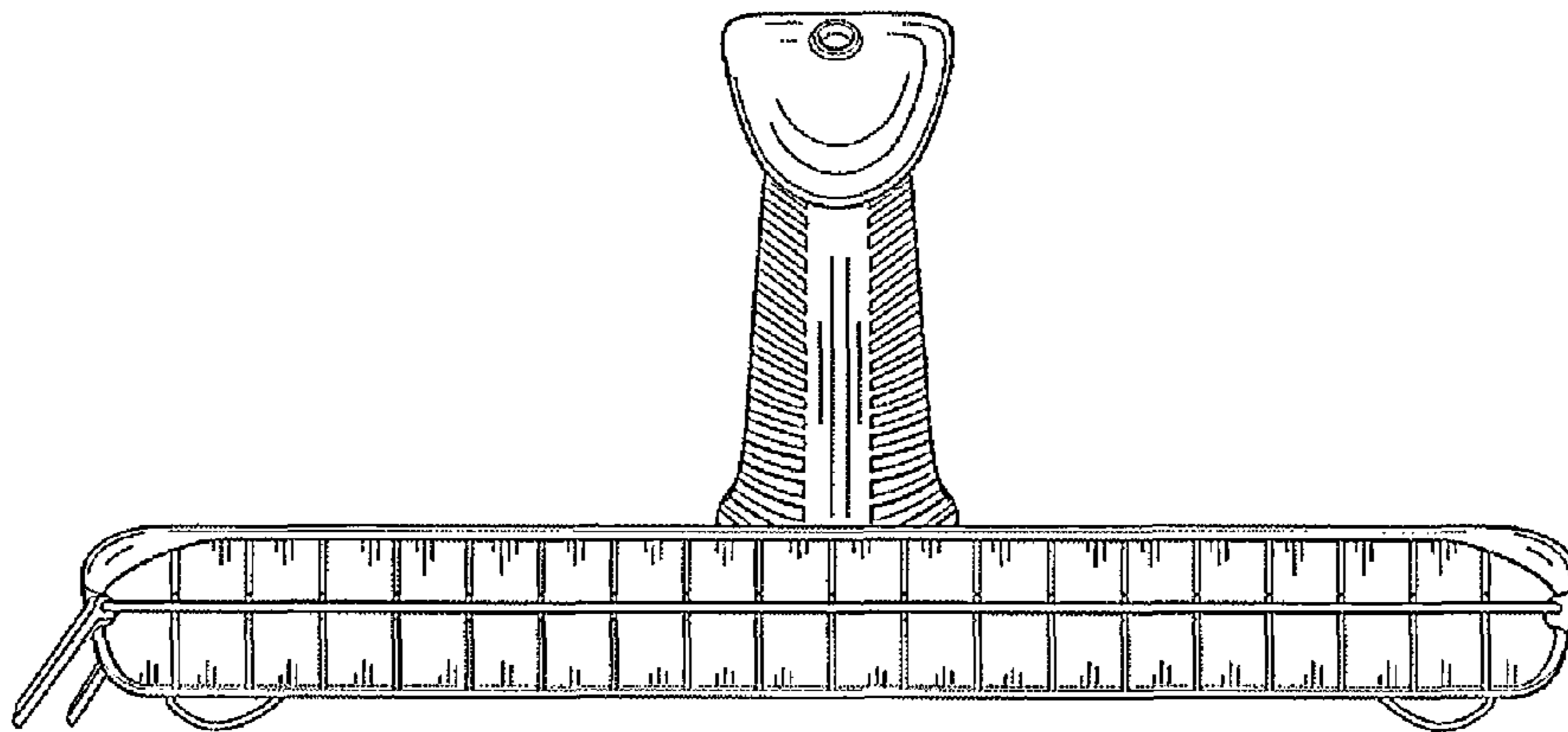


Fig. 5

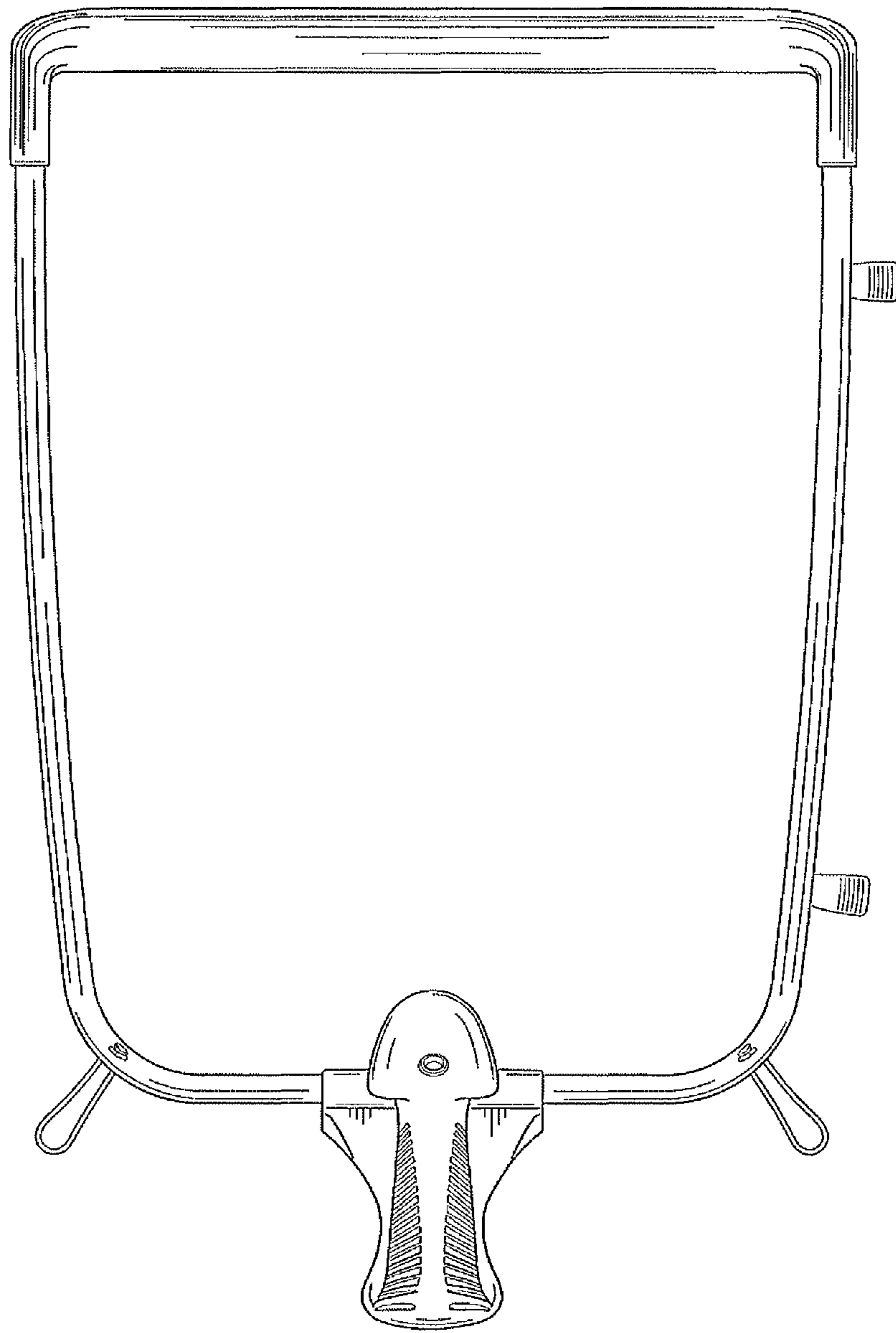


Fig. 6

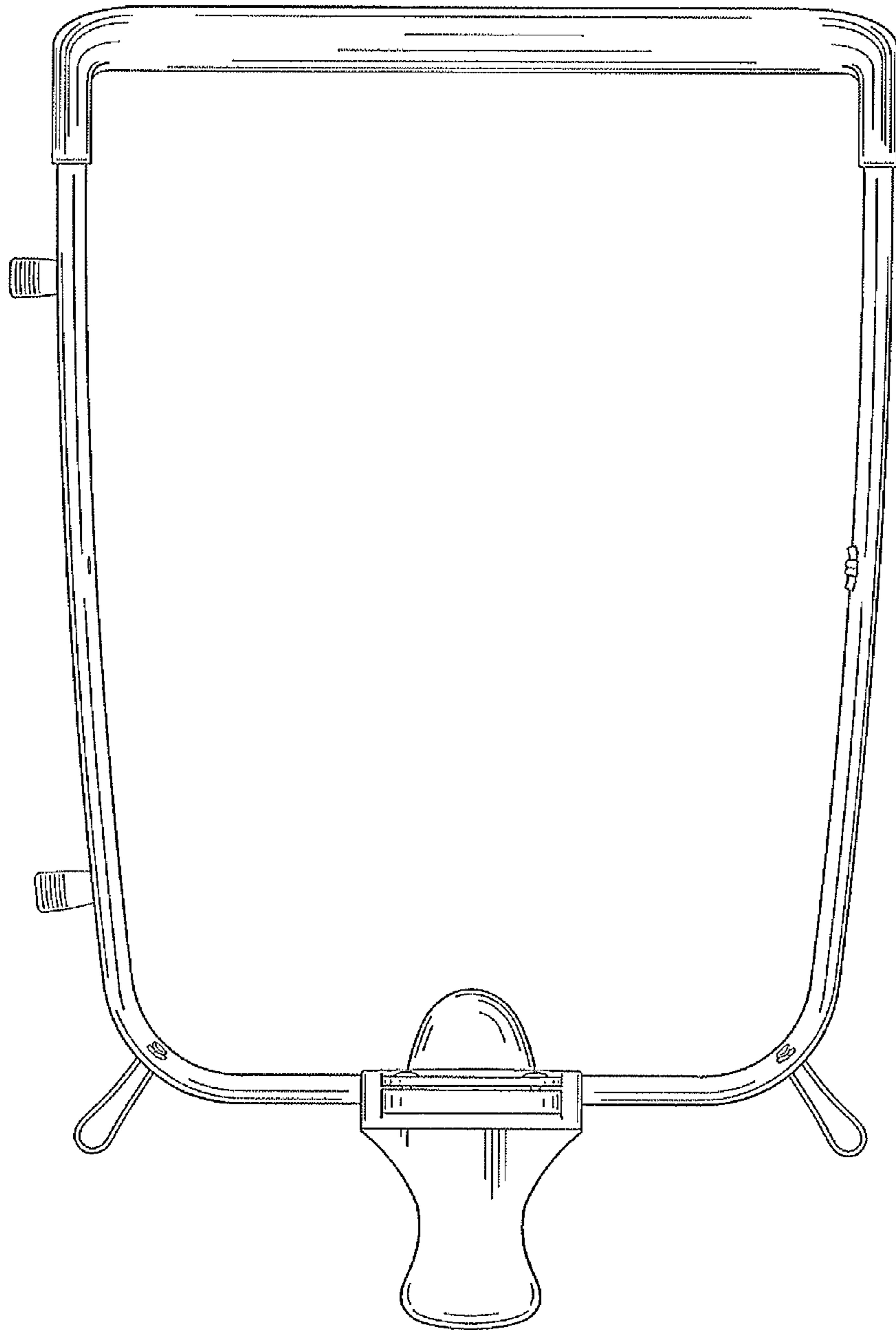


Fig. 7