



US00D697280S

(12) **United States Design Patent**
Casini et al.

(10) **Patent No.:** **US D697,280 S**
(45) **Date of Patent:** **** Jan. 7, 2014**

(54) **BROOM HEAD**

(71) Applicant: **Carl Freudenberg KG**, Weinheim (DE)

(72) Inventors: **Luca Casini**, Milan (IT); **Hans-Jörg Clemen**, Heidelberg (DE)

(73) Assignee: **Carl Freudenberg KG**, Weinheim (DE)

(**) Term: **14 Years**

(21) Appl. No.: **29/460,524**

(22) Filed: **Jul. 11, 2013**

(30) **Foreign Application Priority Data**

Jan. 11, 2013 (EM) 002165019-0001

(51) **LOC (10) Cl.** **04-01**

(52) **U.S. Cl.**
USPC **D32/50**

(58) **Field of Classification Search**
USPC D32/40-45, 50-52; 15/118, 244.1, 15/244.2, 244.3, 244.4, 116.1, 116.2, 15/119.1, 119.2, 104.9, 228, 229.2, 229.4; 401/135-140; D4/199
See application file for complete search history.

(56) **References Cited**

U.S. PATENT DOCUMENTS

3,076,217 A * 2/1963 Scholl 15/145
D195,818 S * 8/1963 Herman et al. D32/50
3,358,313 A * 12/1967 Grimes, Sr. 15/231
3,775,802 A * 12/1973 Grassman et al. 15/147.2

D277,039 S * 1/1985 Miyoshi et al. D32/50
D295,914 S * 5/1988 Moss et al. D32/50
D366,740 S * 1/1996 Clausen et al. D32/50
D380,303 S * 7/1997 Wolfenden D4/199
D384,818 S * 10/1997 Wolfenden D4/199
6,237,182 B1 * 5/2001 Cassar 15/144.1
D509,661 S * 9/2005 Berti D4/199
D582,619 S * 12/2008 Kong D32/50
D585,613 S * 1/2009 Senyuva D32/50
D585,614 S * 1/2009 Enyuva D32/50
D657,928 S * 4/2012 Byrne D32/50
D668,827 S * 10/2012 Best et al. D32/50
2004/0055102 A1 * 3/2004 Treacy et al. 15/228

* cited by examiner

Primary Examiner — John Windmuller

(74) *Attorney, Agent, or Firm* — Leydig, Voit & Mayer, Ltd.

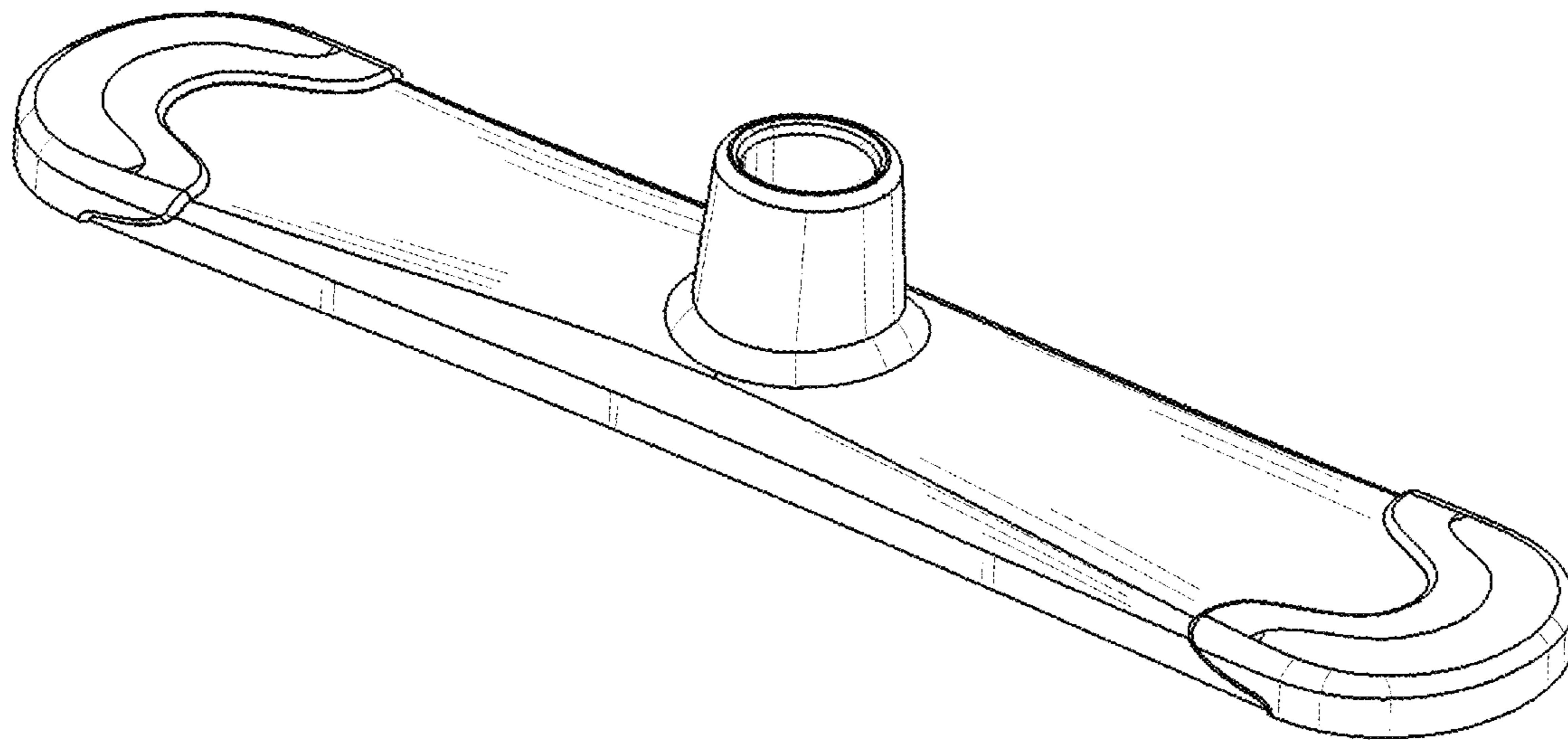
(57) **CLAIM**

The ornamental design for a broom head, as shown and described.

DESCRIPTION

FIG. 1 is a perspective view of one side of a broom head showing our new design;
FIG. 2 is a perspective view of the other side thereof;
FIG. 3 is a top plan view thereof;
FIG. 4 is a bottom plan view thereof;
FIG. 5 is a side elevation view thereof, the opposite side elevation view being a mirror image; and,
FIG. 6 is an end elevation view thereof, the opposite end elevation view being a mirror image.
The broken lines in the figures depict portions of the broom head that form no part of the claimed design.

1 Claim, 6 Drawing Sheets



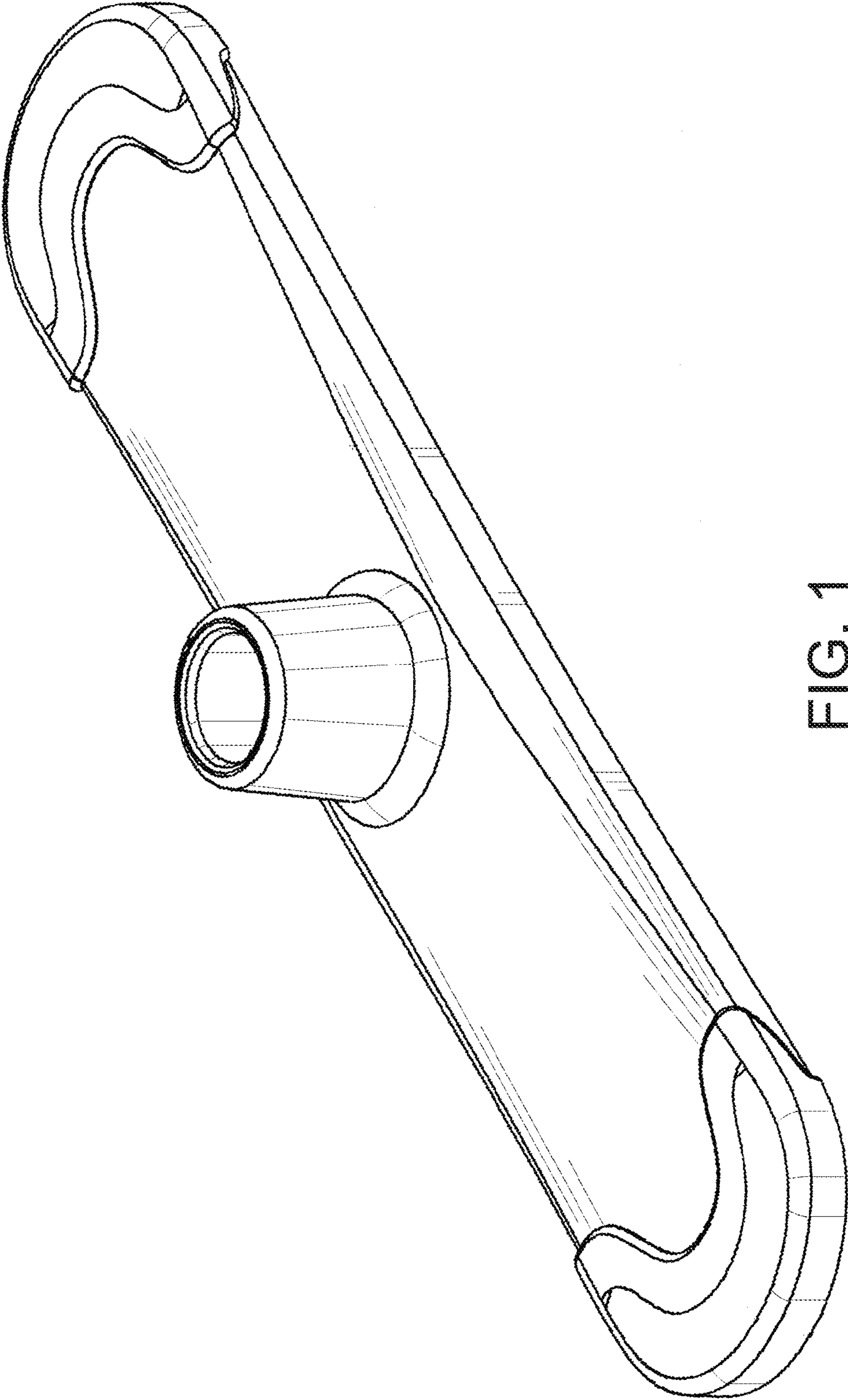


FIG. 1

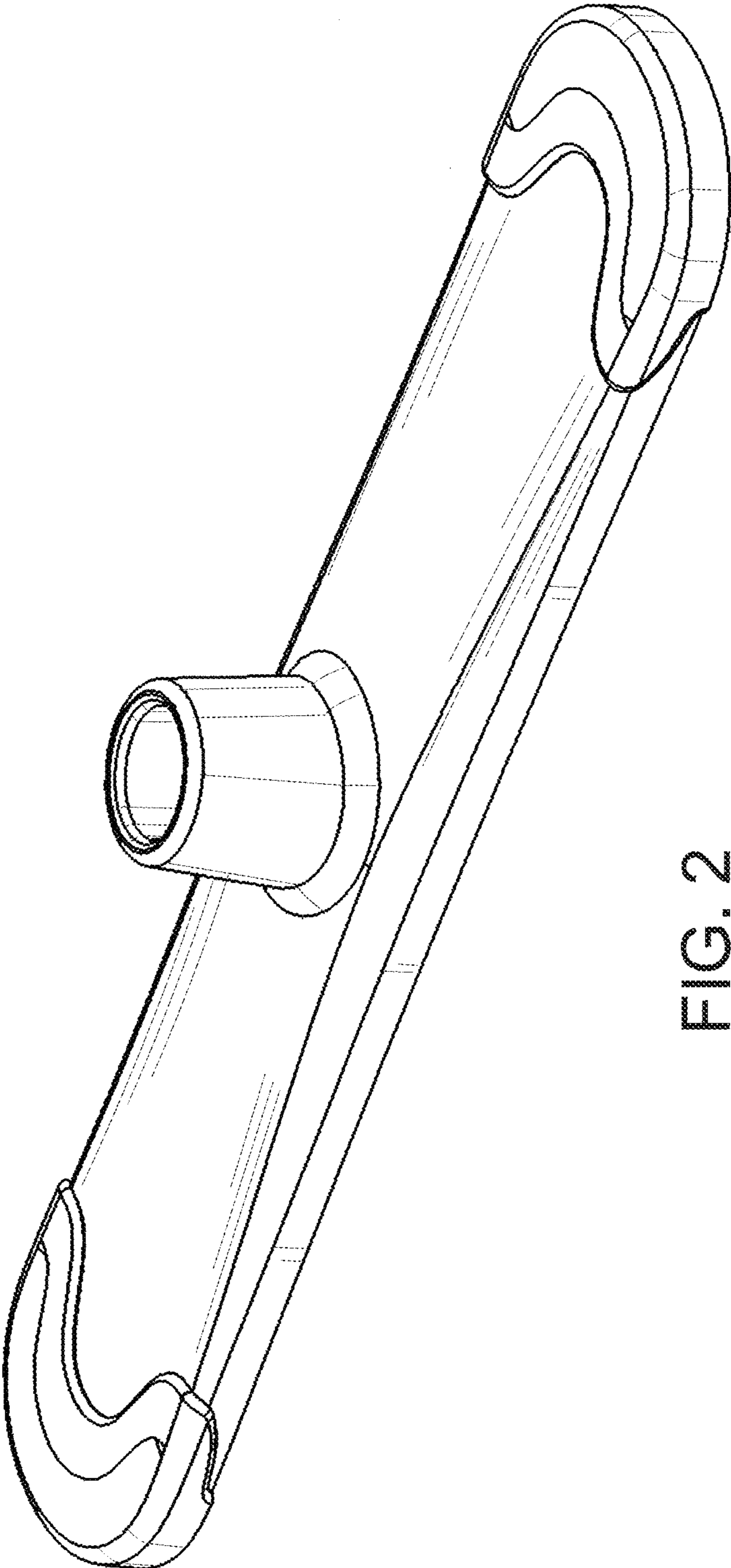


FIG. 2

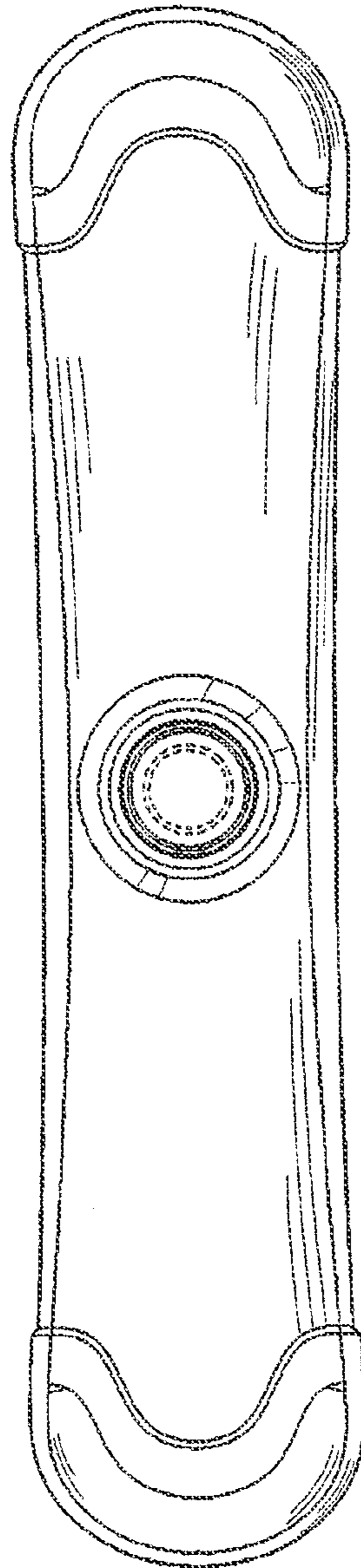


FIG. 3

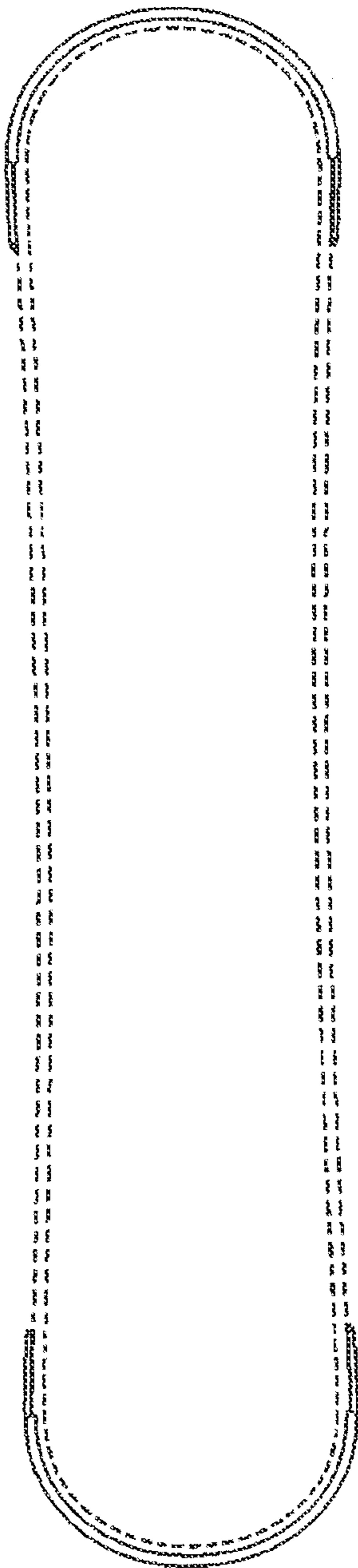


FIG. 4

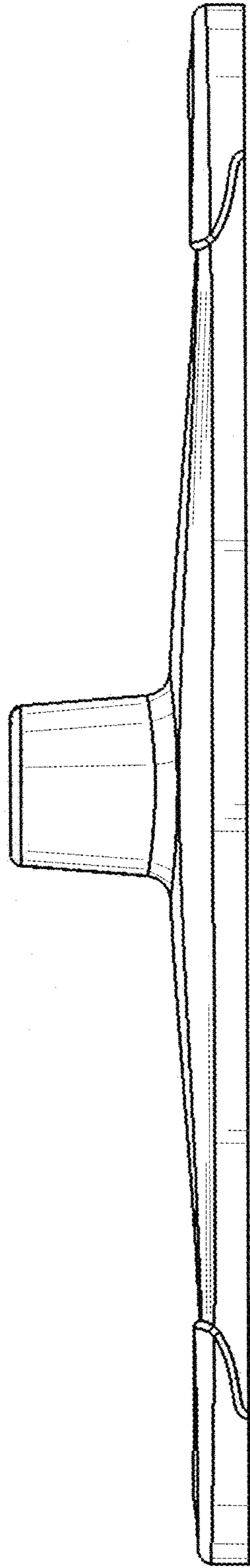


FIG. 5

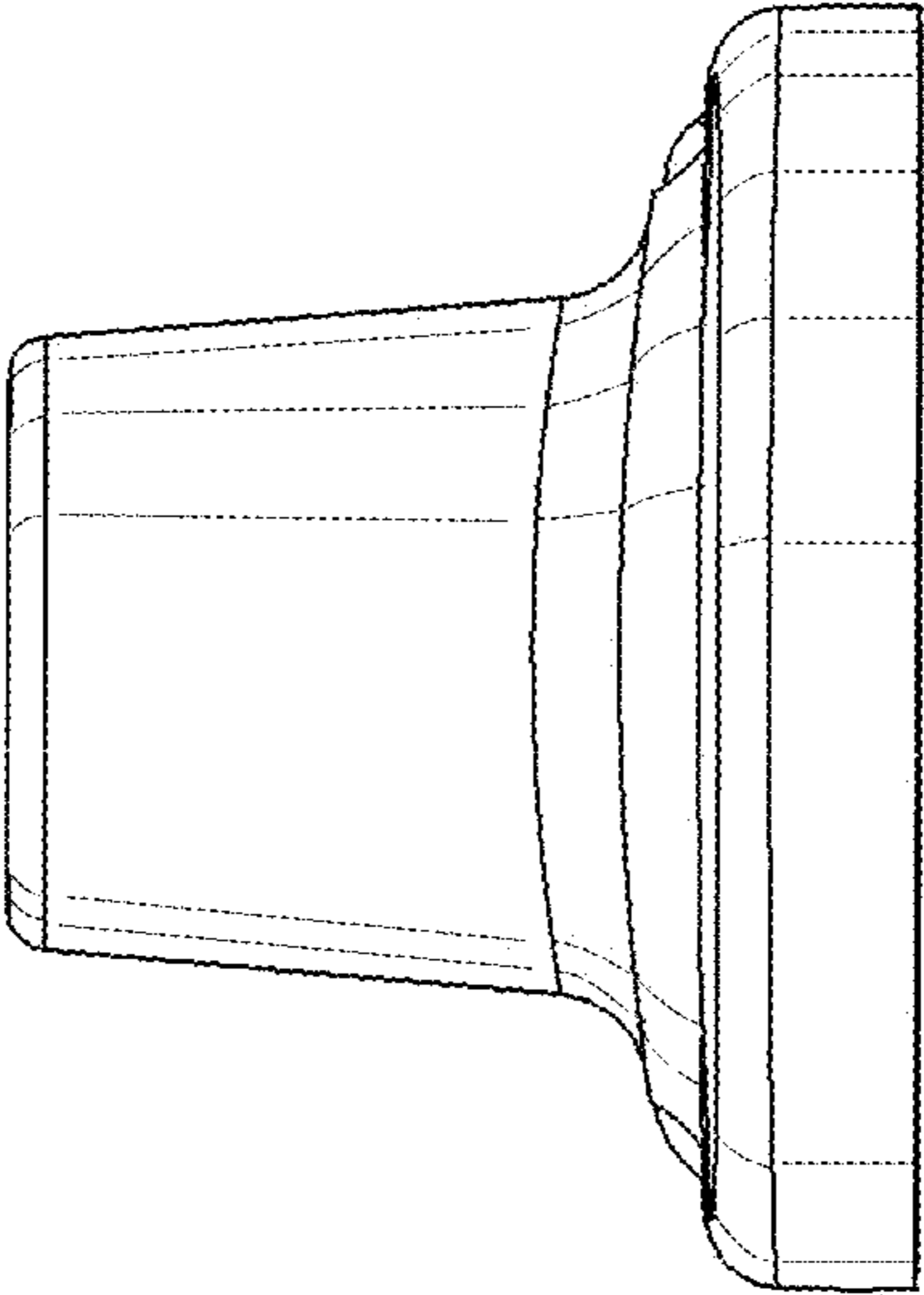


FIG. 6