



US00D697279S

(12) **United States Design Patent**
Quinlan

(10) **Patent No.:** **US D697,279 S**
(45) **Date of Patent:** **** Jan. 7, 2014**

(54) **HANDLE ADAPTER**

(75) Inventor: **David Quinlan**, Plantsville, CT (US)

(73) Assignee: **Unger Marketing International, LLC**,
Bridgeport, CT (US)

(**) Term: **14 Years**

(21) Appl. No.: **29/418,385**

(22) Filed: **Apr. 16, 2012**

(51) **LOC (10) Cl.** **04-01**

(52) **U.S. Cl.**
USPC **D32/50**

(58) **Field of Classification Search**
USPC D32/40-45, 50-52; 15/118, 244.1,
15/244.2, 244.3, 244.4, 116.1, 116.2,
15/119.1, 119.2, 104.9, 228, 229.2, 229.4;
401/135-140
See application file for complete search history.

(56) **References Cited**

U.S. PATENT DOCUMENTS

D195,818 S *	8/1963	Herman et al.	D32/50
D249,821 S *	10/1978	Cooke et al.	D4/199
D366,740 S *	1/1996	Clausen et al.	D32/50
D380,303 S *	7/1997	Wolfenden	D4/199
D384,818 S *	10/1997	Wolfenden	D4/199
D480,564 S *	10/2003	Petner	D4/199
D487,973 S *	4/2004	Vosbikian	D4/132
D497,230 S *	10/2004	Berti	D32/50
D582,619 S *	12/2008	Kong	D32/50

D585,613 S *	1/2009	Senyuva	D32/50
D585,614 S *	1/2009	Enyuva	D32/50
D585,615 S *	1/2009	Enyuva	D32/50
D607,169 S *	12/2009	Weis et al.	D32/50
7,748,074 B2 *	7/2010	Guizzi	15/245
D642,761 S *	8/2011	Weaver et al.	D32/50
D661,040 S *	5/2012	Pellacini	D32/50

* cited by examiner

Primary Examiner — John Windmuller

(74) *Attorney, Agent, or Firm* — Ohlandt, Greeley, Ruggiero & Perle, L.L.P.

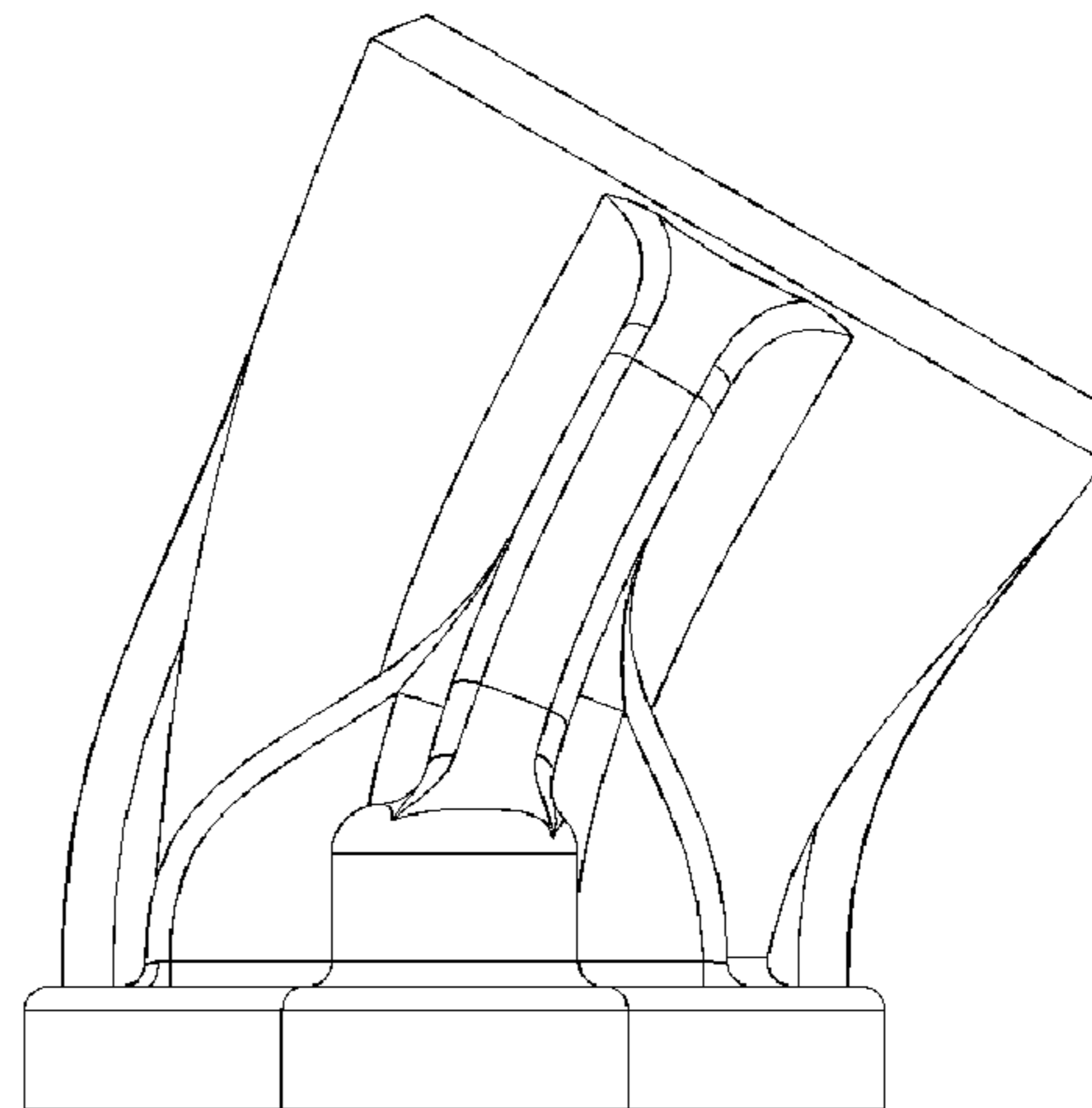
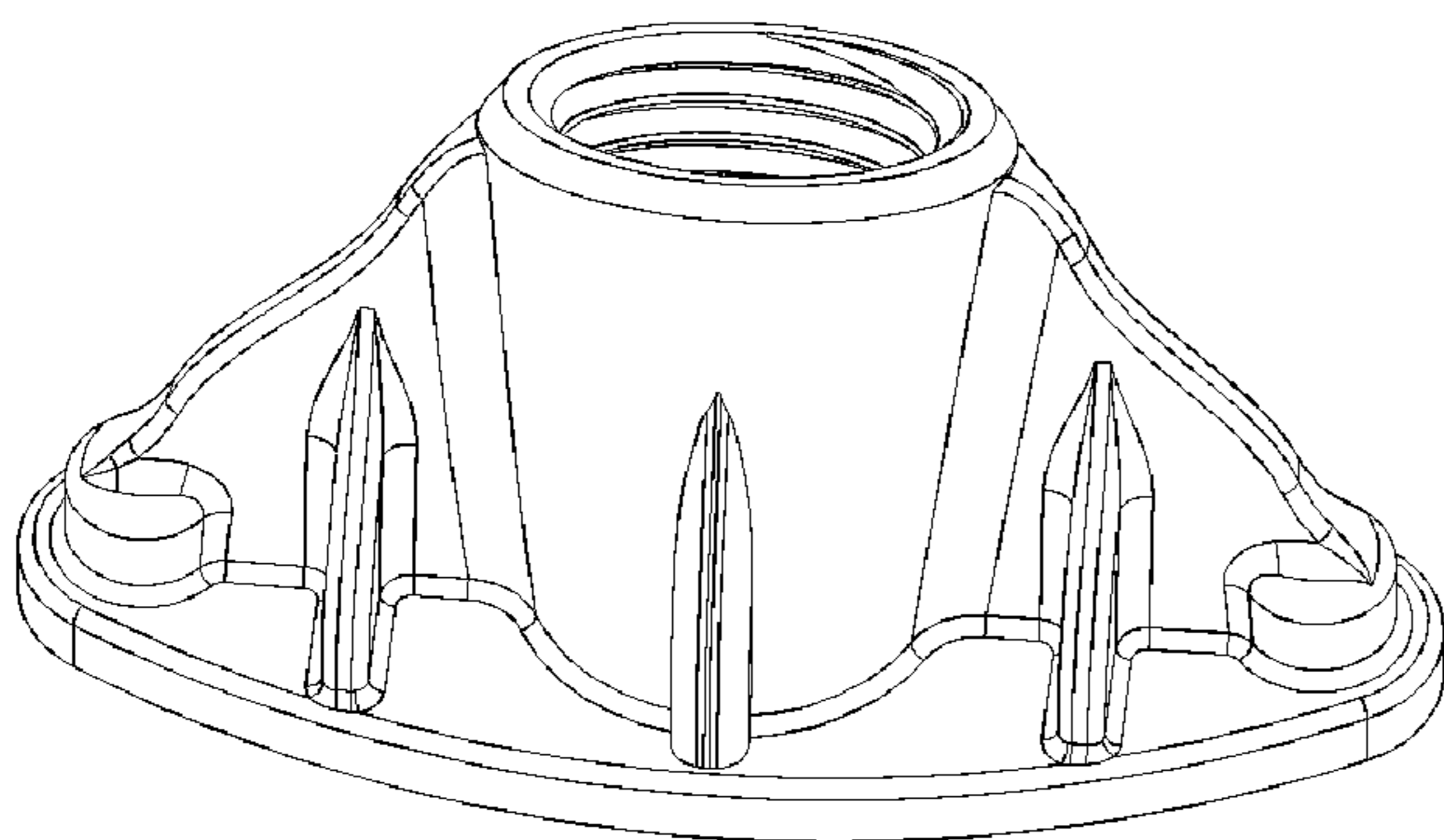
(57) **CLAIM**

The ornamental design for the handle adapter, as shown and described.

DESCRIPTION

FIG. 1 is a front perspective view of a handle adapter according to the present disclosure;
 FIG. 2 is a first side perspective view of the handle adapter of FIG. 1;
 FIG. 3 is a second, opposite side perspective view of the handle adapter of FIG. 1;
 FIG. 4 is a rear perspective view of the handle adapter of FIG. 1;
 FIG. 5 is a top view of the handle adapter of FIG. 1;
 FIG. 6 is a bottom view of the handle adapter of FIG. 1;
 FIG. 7 is a side view of the handle adapter of FIG. 1, the opposite side being identical thereto;
 FIG. 8 is a rear view of the handle adapter of FIG. 1; and,
 FIG. 9 is a front view of the handle adapter of FIG. 1.

1 Claim, 9 Drawing Sheets



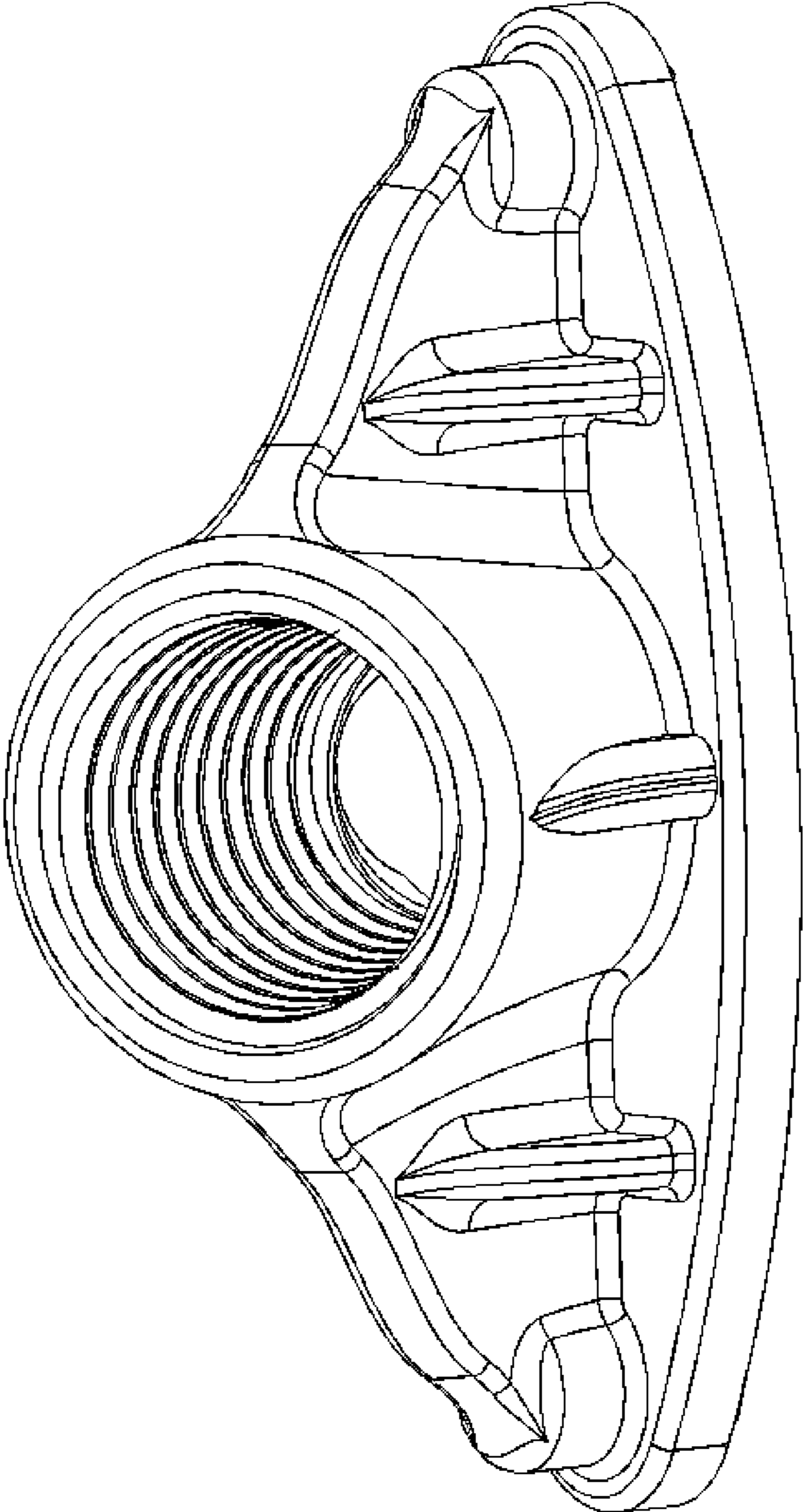


FIG. 1

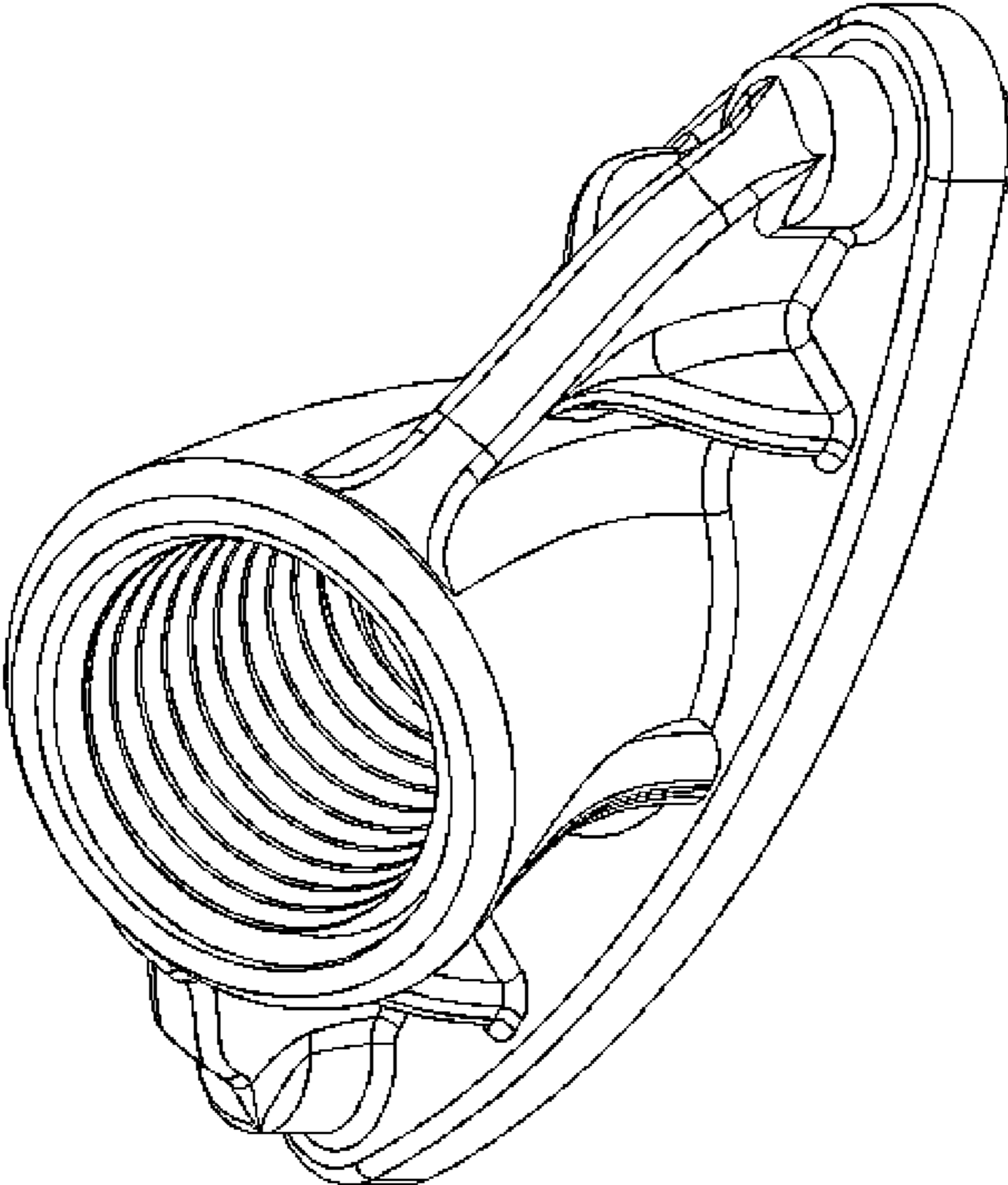


FIG. 2

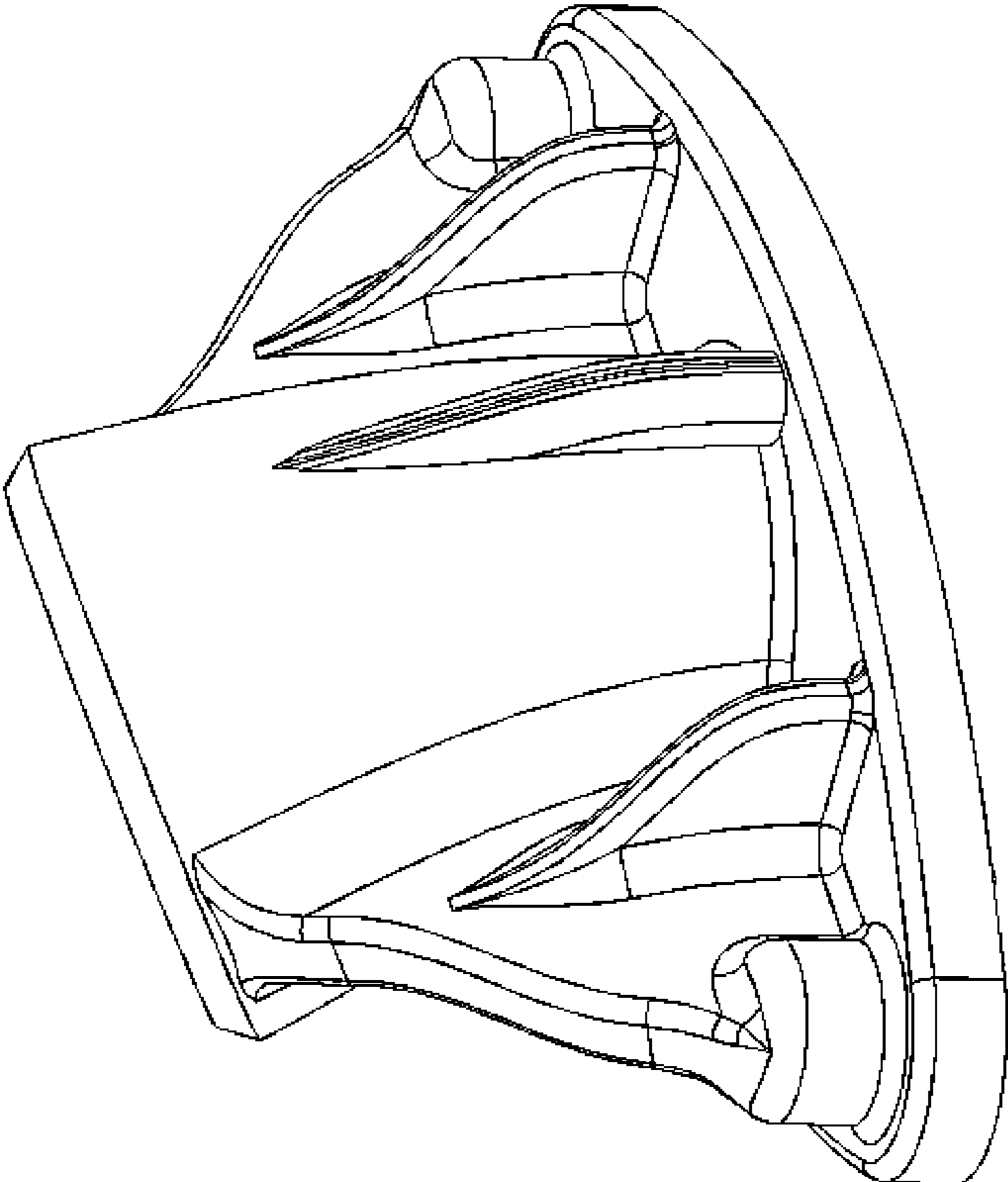


FIG. 3

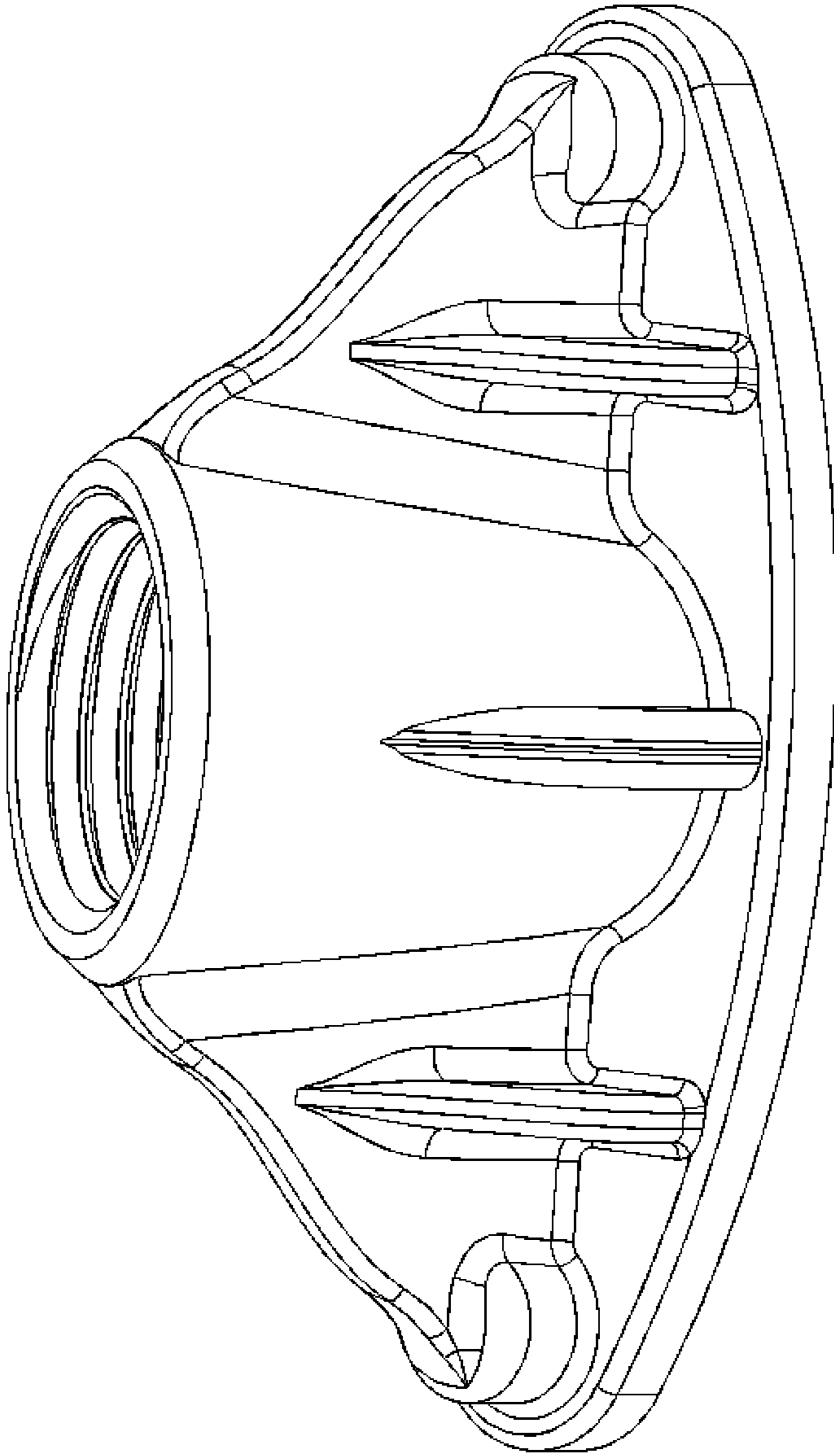


FIG. 4

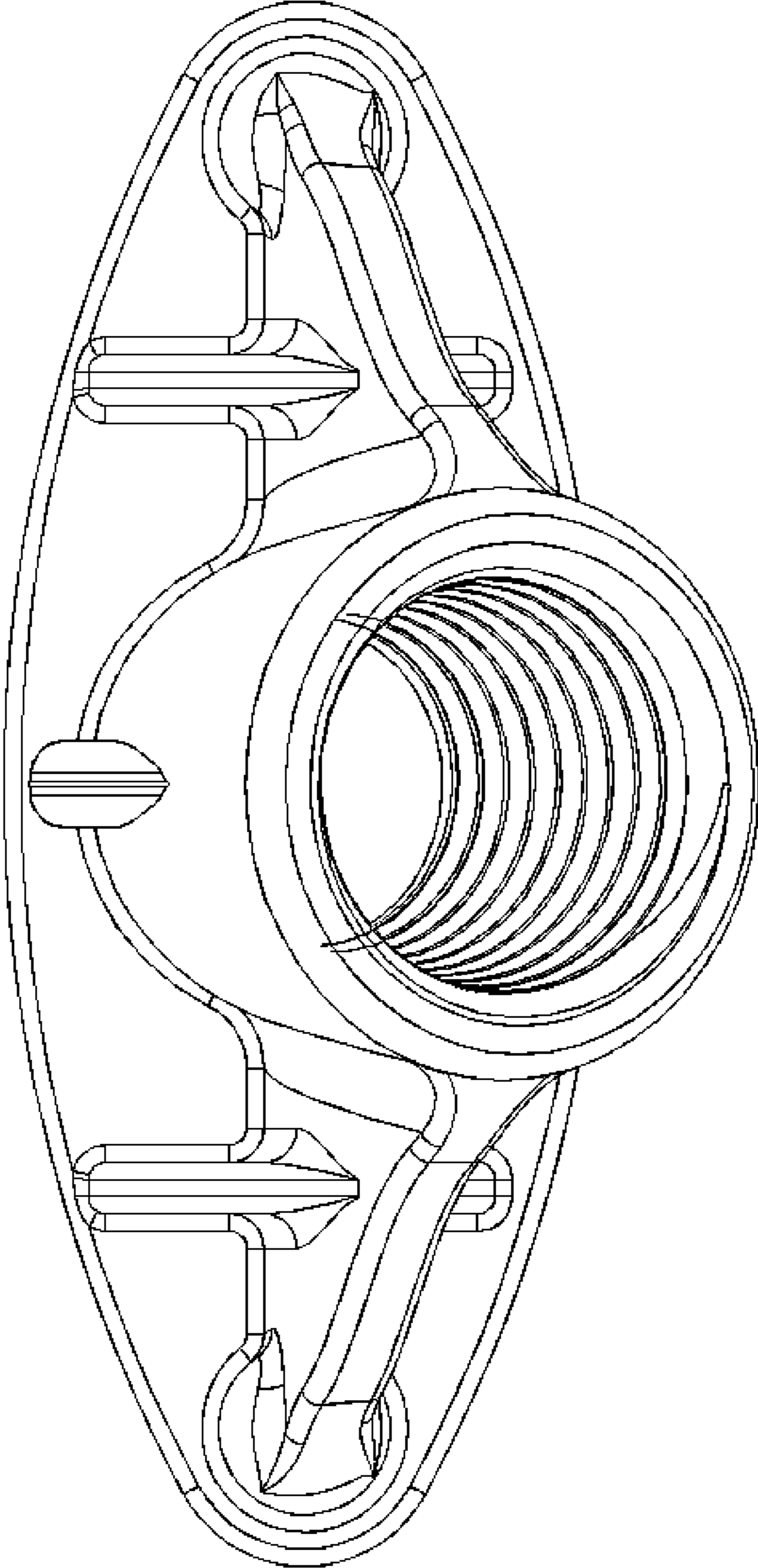


FIG. 5

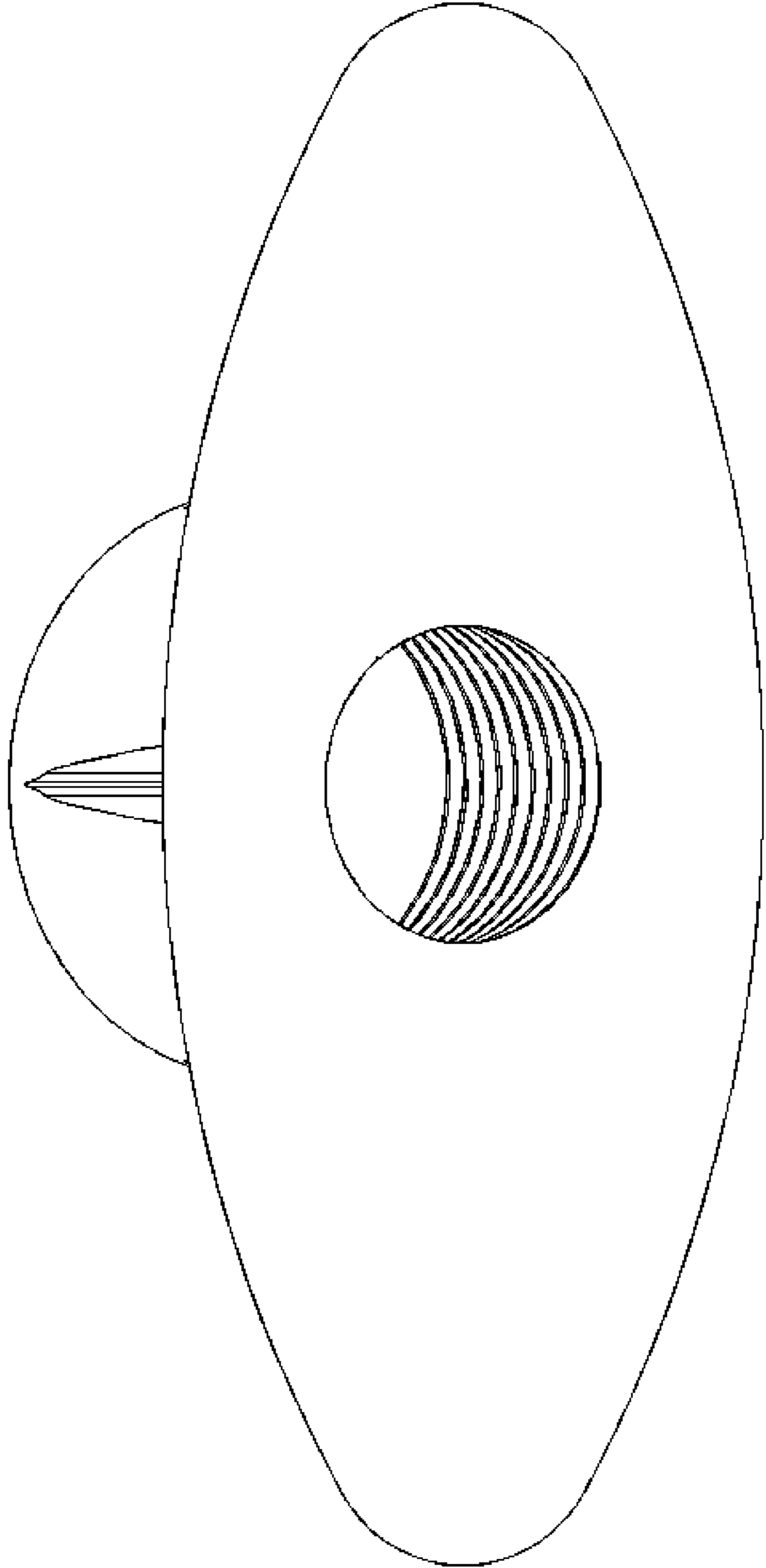


FIG. 6

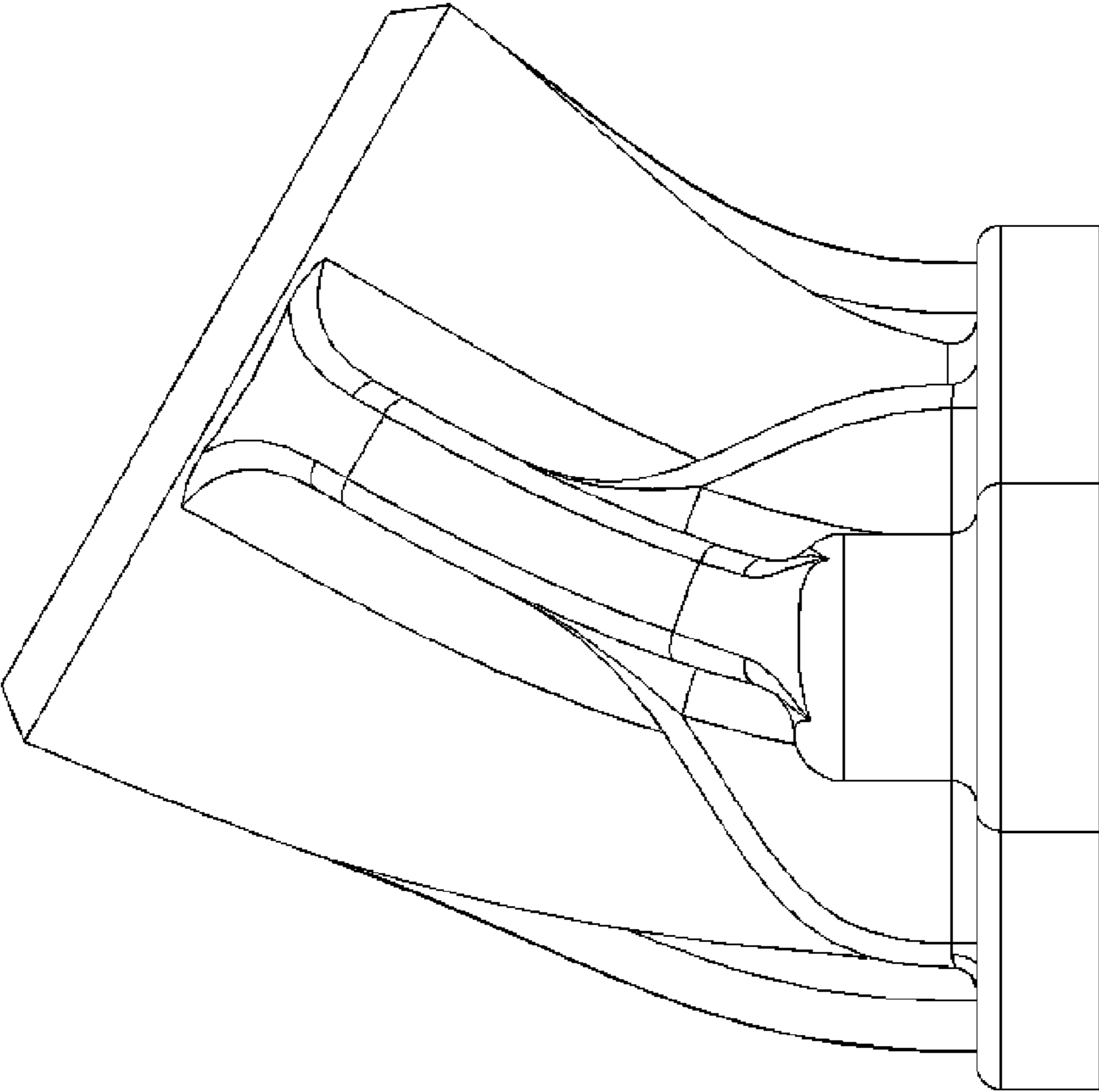


FIG. 7

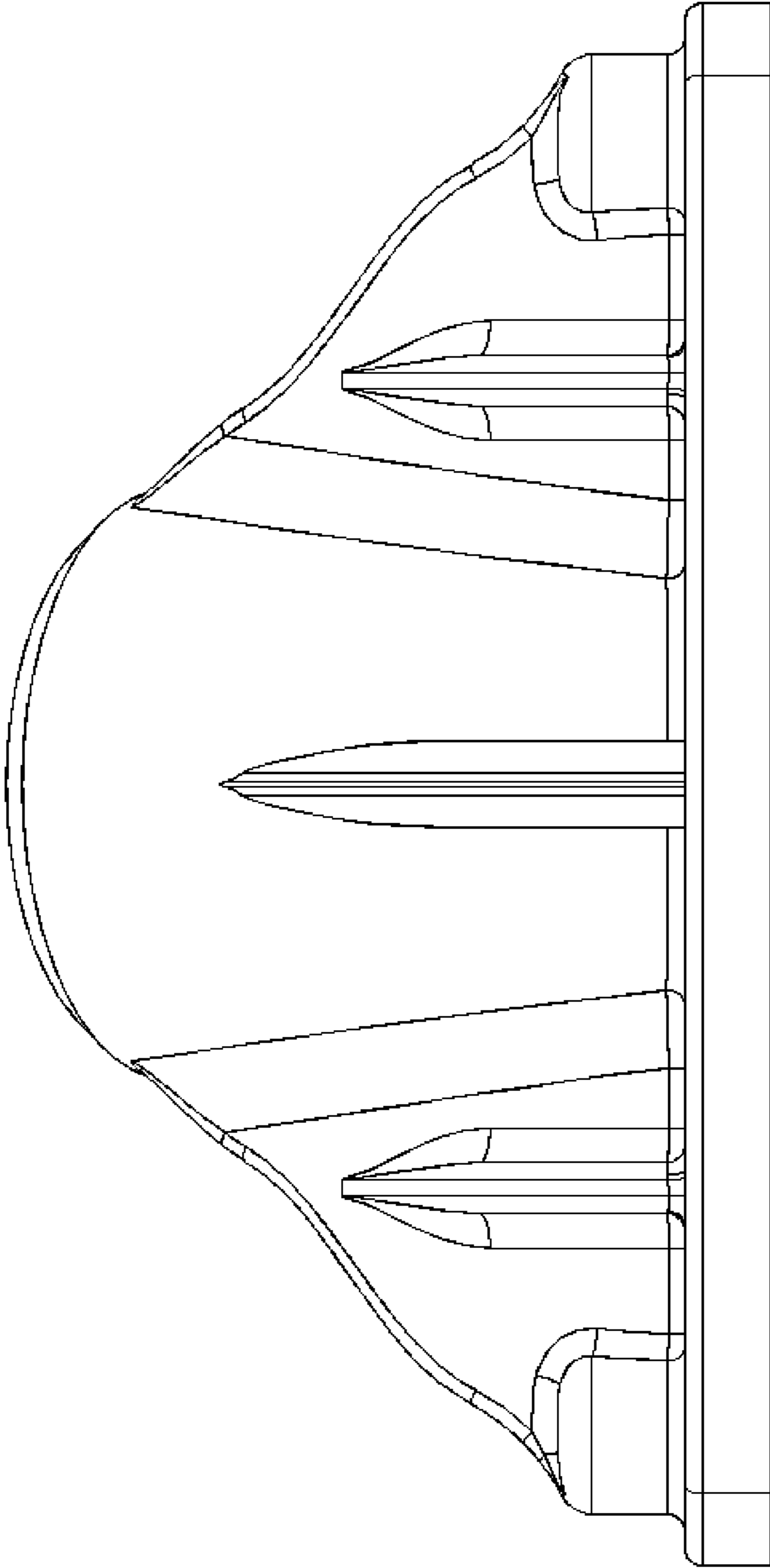


FIG. 8

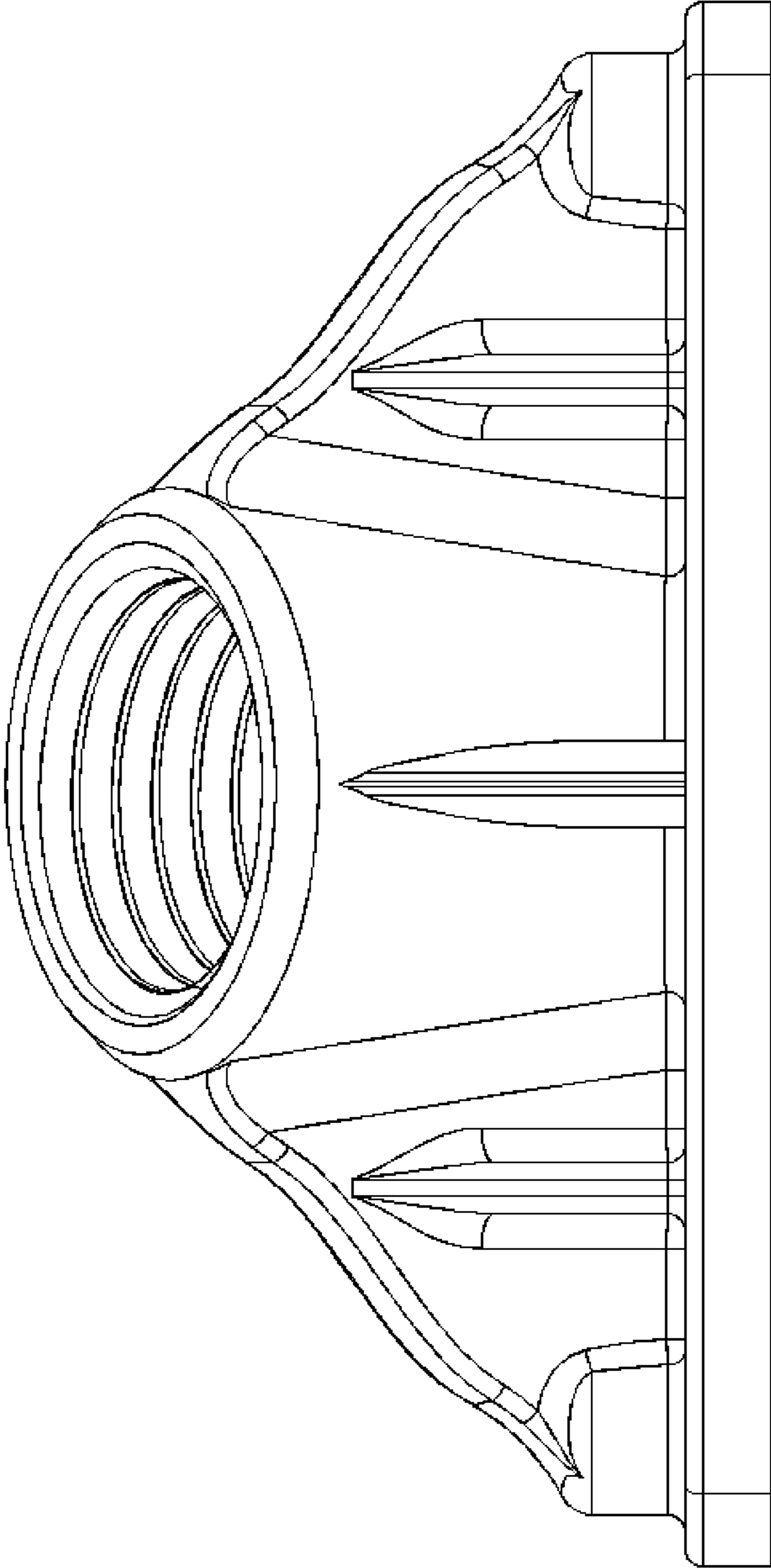


FIG. 9