



US00D697278S

(12) **United States Design Patent**
Meyer

(10) **Patent No.:** **US D697,278 S**
(45) **Date of Patent:** **** Jan. 7, 2014**

(54) **WINDOW CLEANING APPLIANCE**

D468,877 S * 1/2003 Burgos D32/41
7,674,060 B2 * 3/2010 Lucero 401/123
D640,432 S * 6/2011 Jackson D32/42

(71) Applicant: **Alfred Kaercher GmbH & Co. KG,**
Winnenden (DE)

OTHER PUBLICATIONS

(72) Inventor: **Michael Meyer,** Schwaikheim (DE)

Extract from catalog of Alfred Kaercher GmbH & Co. KG,
“Programme 2008”, cover, p. 80 and last page (Dec. 2007).

(73) Assignee: **Alfred Kaercher GmbH & Co. KG,**
Winnenden (DE)

Extract from catalog of Alfred Kaercher GmbH & Co. KG,
“Programme 2009 Kaercher Residential”, cover, p. 114 and last page
(Mar. 2009).

(**) Term: **14 Years**

Extract from catalog of Alfred Kaercher GmbH & Co. KG,
“Programme 2010 Home & Garden”, cover, p. 116 and last page
(Nov. 2009).

(21) Appl. No.: **29/446,160**

Extract from catalog of Alfred Kaercher GmbH & Co. KG,
“Programme 2011 Kaercher Home & Garden”, cover, p. 124 and last
page (Nov. 2010).

(22) Filed: **Feb. 21, 2013**

Extract from catalog of Alfred Kaercher GmbH & Co. KG,
“Programme 2012 Kaercher Home & Garden”, cover, p. 107 and last
page (Oct. 2011).

(30) **Foreign Application Priority Data**

* cited by examiner

Aug. 28, 2012 (WO) DM/079 032

(51) **LOC (10) Cl.** **04-01**

Primary Examiner — Robin V Webster

(52) **U.S. Cl.**

(74) *Attorney, Agent, or Firm* — Lipsitz & McAllister, LLC

USPC **D32/42**

(57) **CLAIM**

(58) **Field of Classification Search**

The ornamental design for a window cleaning appliance, as
shown and described.

USPC D32/40–46, 50, 51; 15/228, 245, 245.1,
15/236.01, 121, 321, 401; 401/137–140,
401/25, 118

DESCRIPTION

See application file for complete search history.

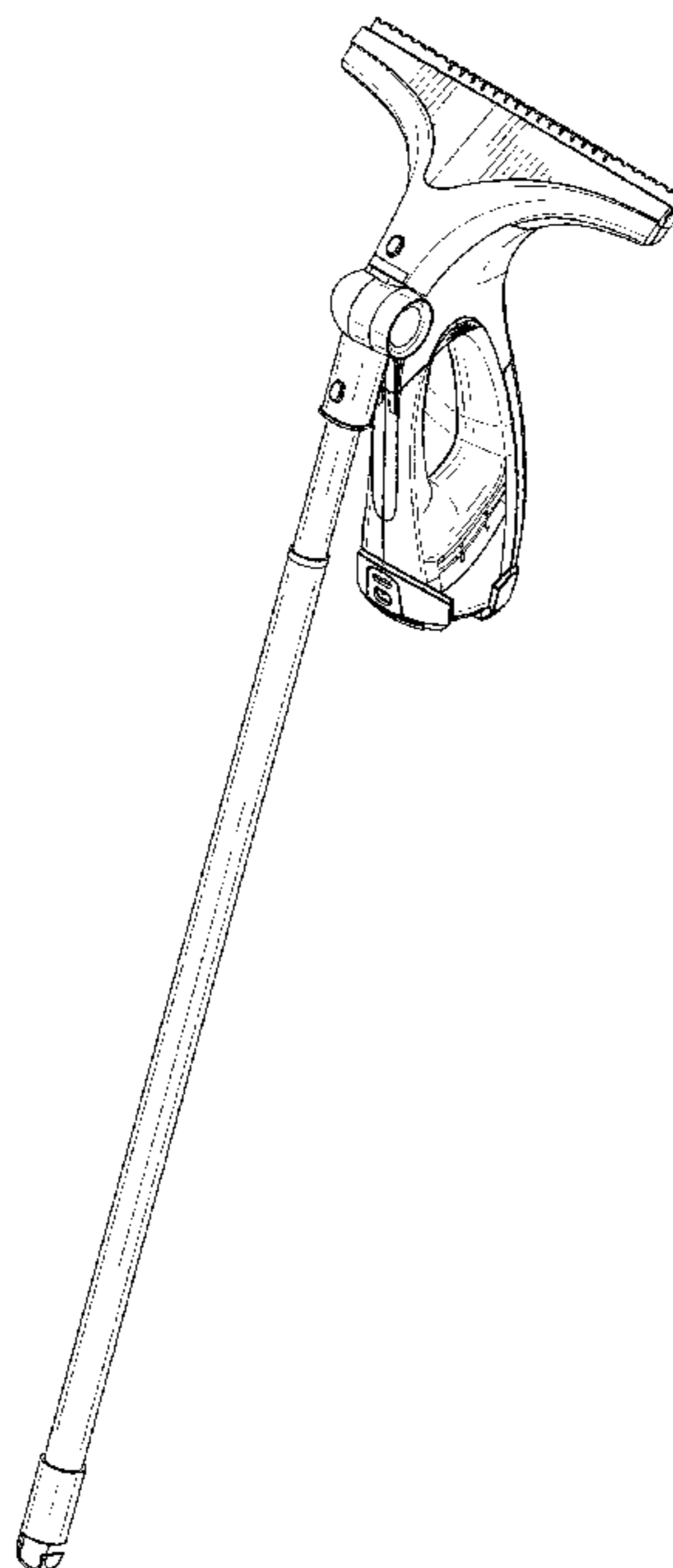
FIG. 1 is a rear and right side perspective view of a window
cleaning appliance showing my new design;
FIG. 2 is a rear and left side perspective view thereof;
FIG. 3 is a front elevational view thereof;
FIG. 4 is a left side elevational view thereof;
FIG. 5 is a rear elevational view thereof;
FIG. 6 is a right side elevational view thereof; and,
FIG. 7 is a top plan view thereof.

(56) **References Cited**

U.S. PATENT DOCUMENTS

D316,318 S * 4/1991 Cheang D32/42
D338,090 S * 8/1993 Kamiyama D32/45
5,615,449 A * 4/1997 Sepke 15/322
D386,852 S * 11/1997 Viner D32/42

1 Claim, 7 Drawing Sheets



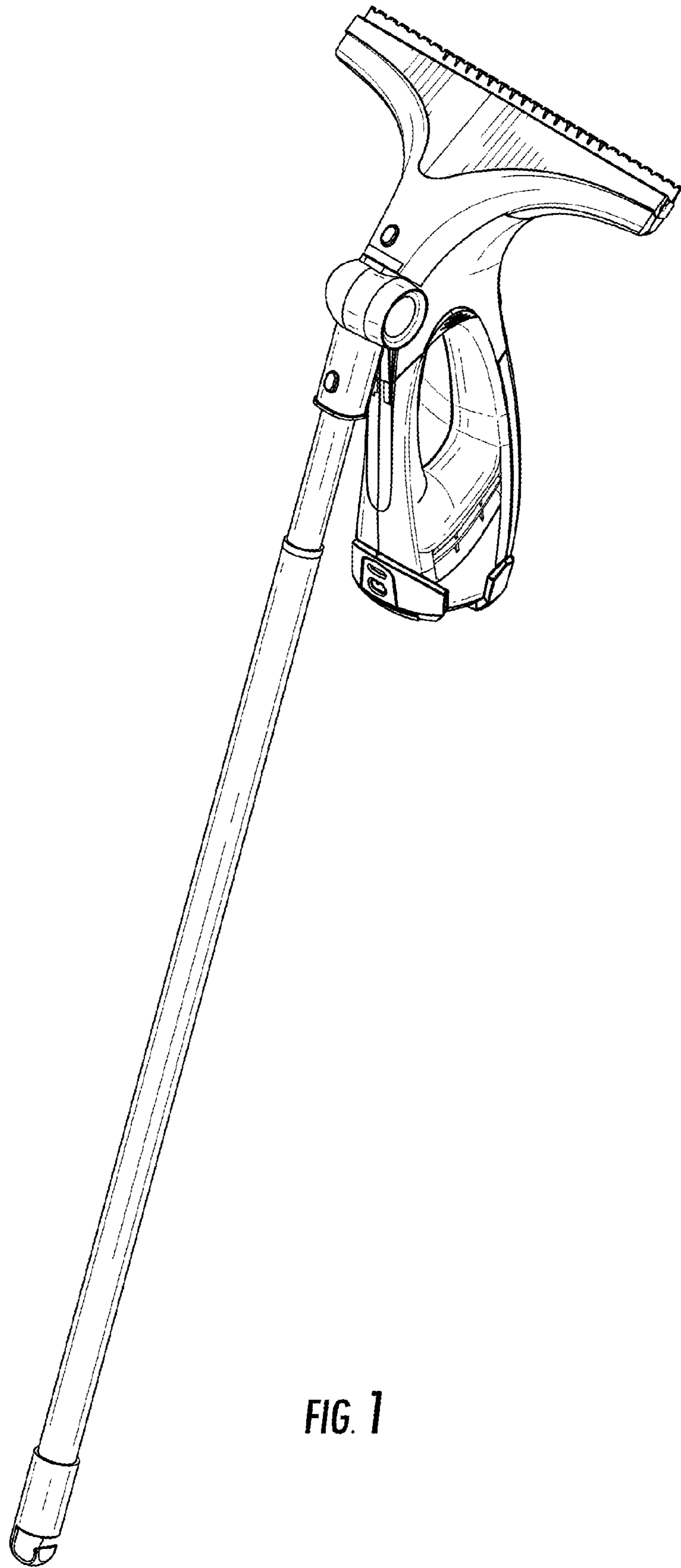


FIG. 1

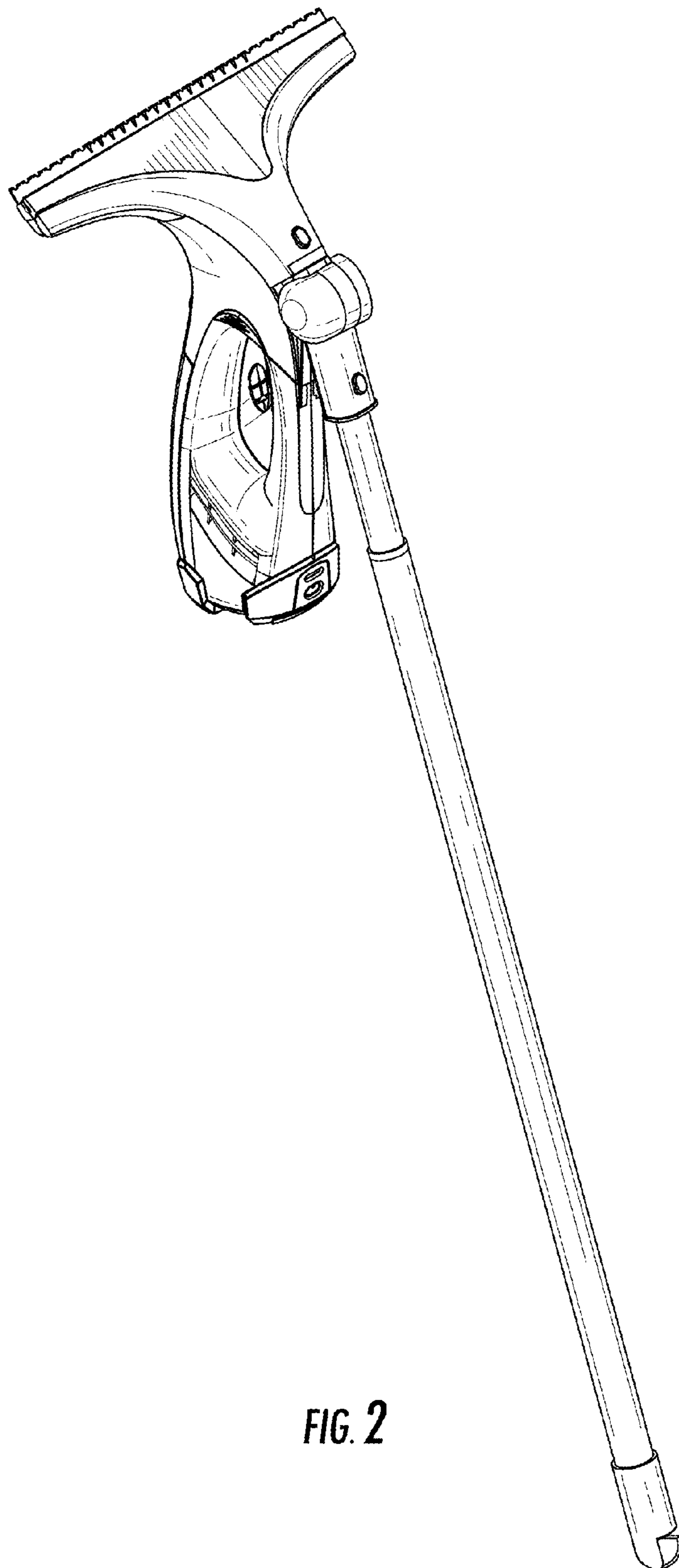


FIG. 2

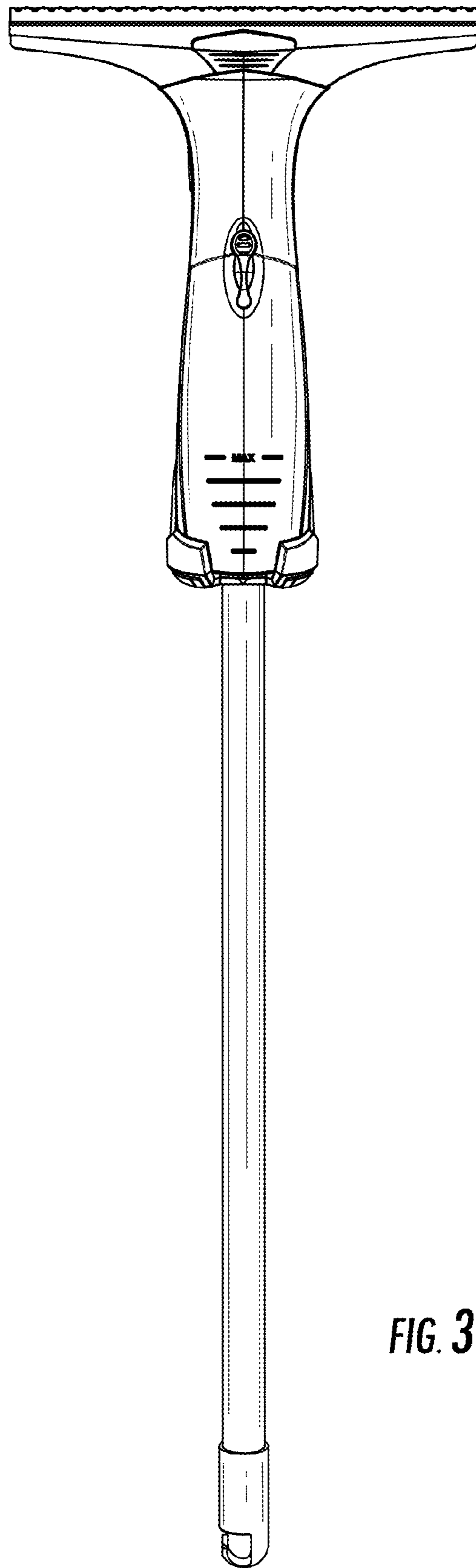


FIG. 3

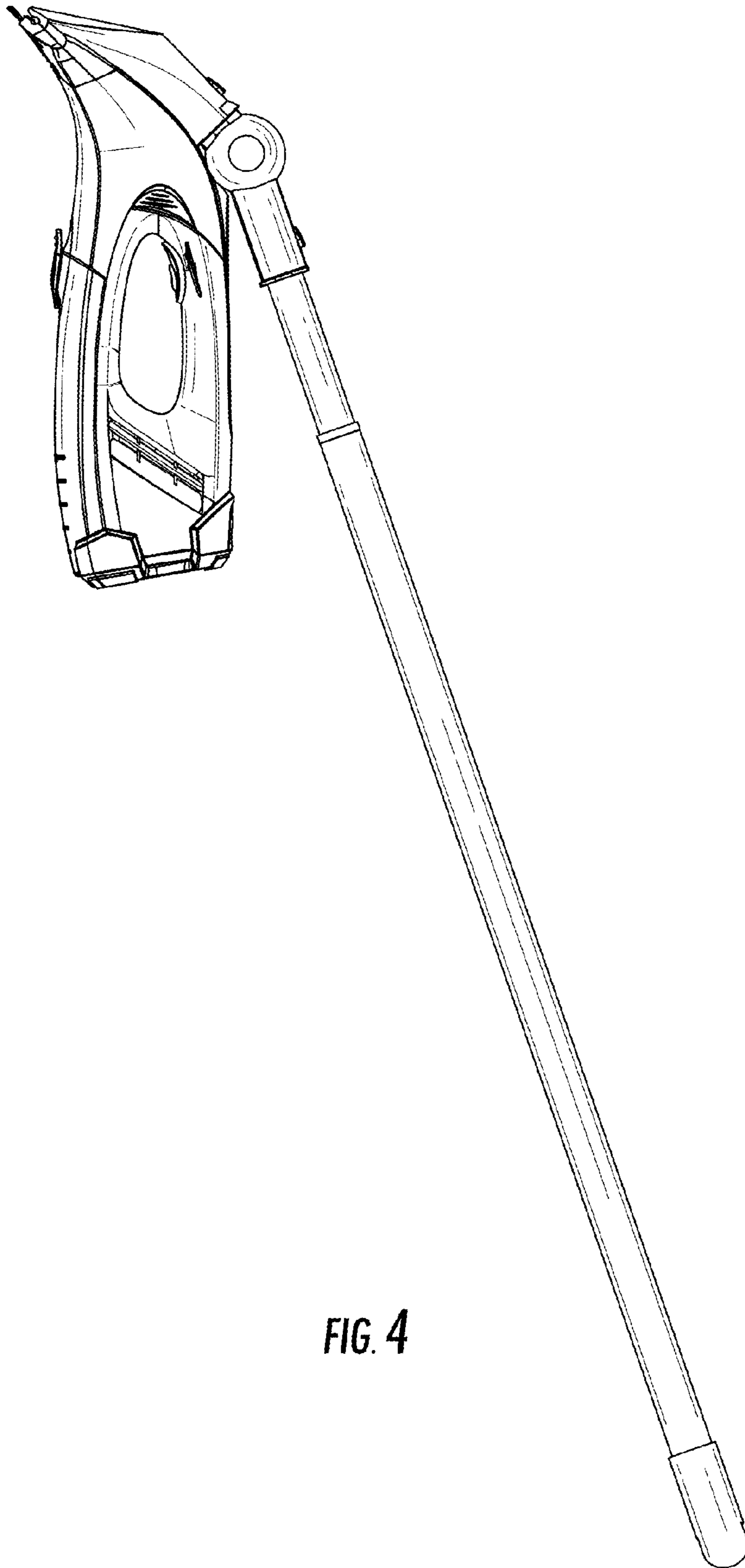


FIG. 4

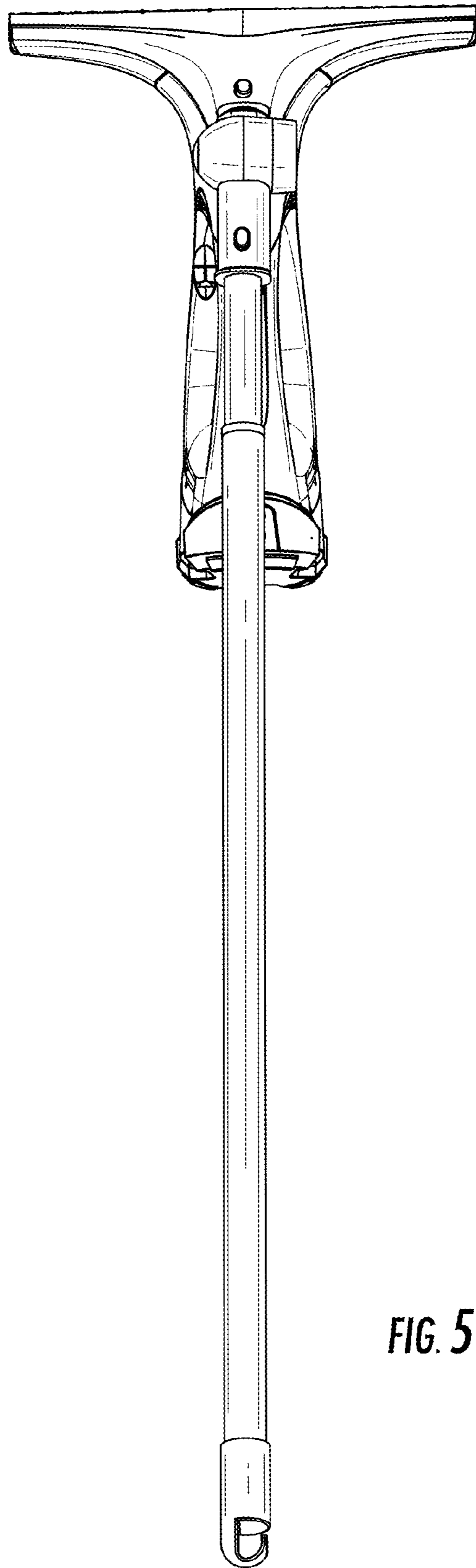


FIG. 5

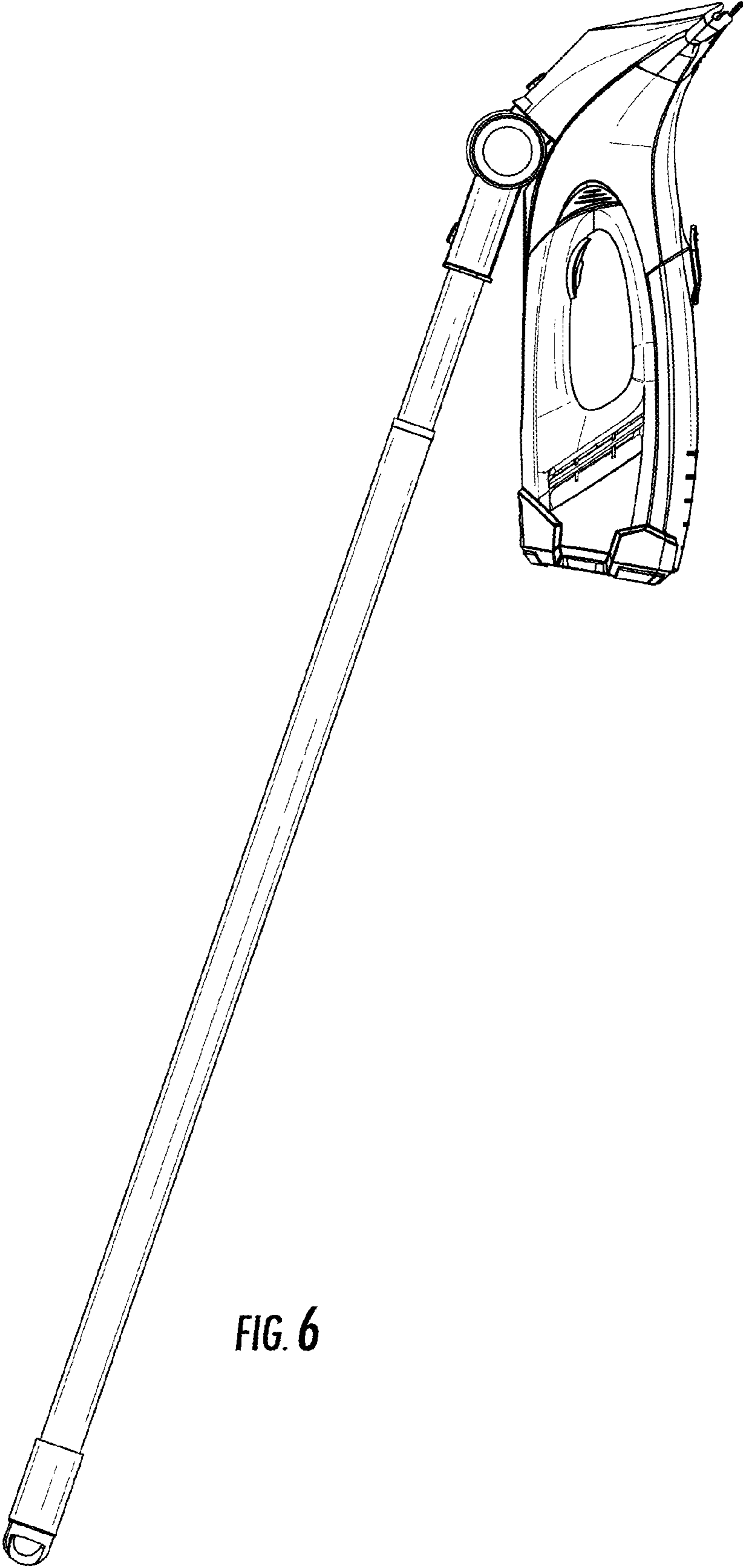


FIG. 6

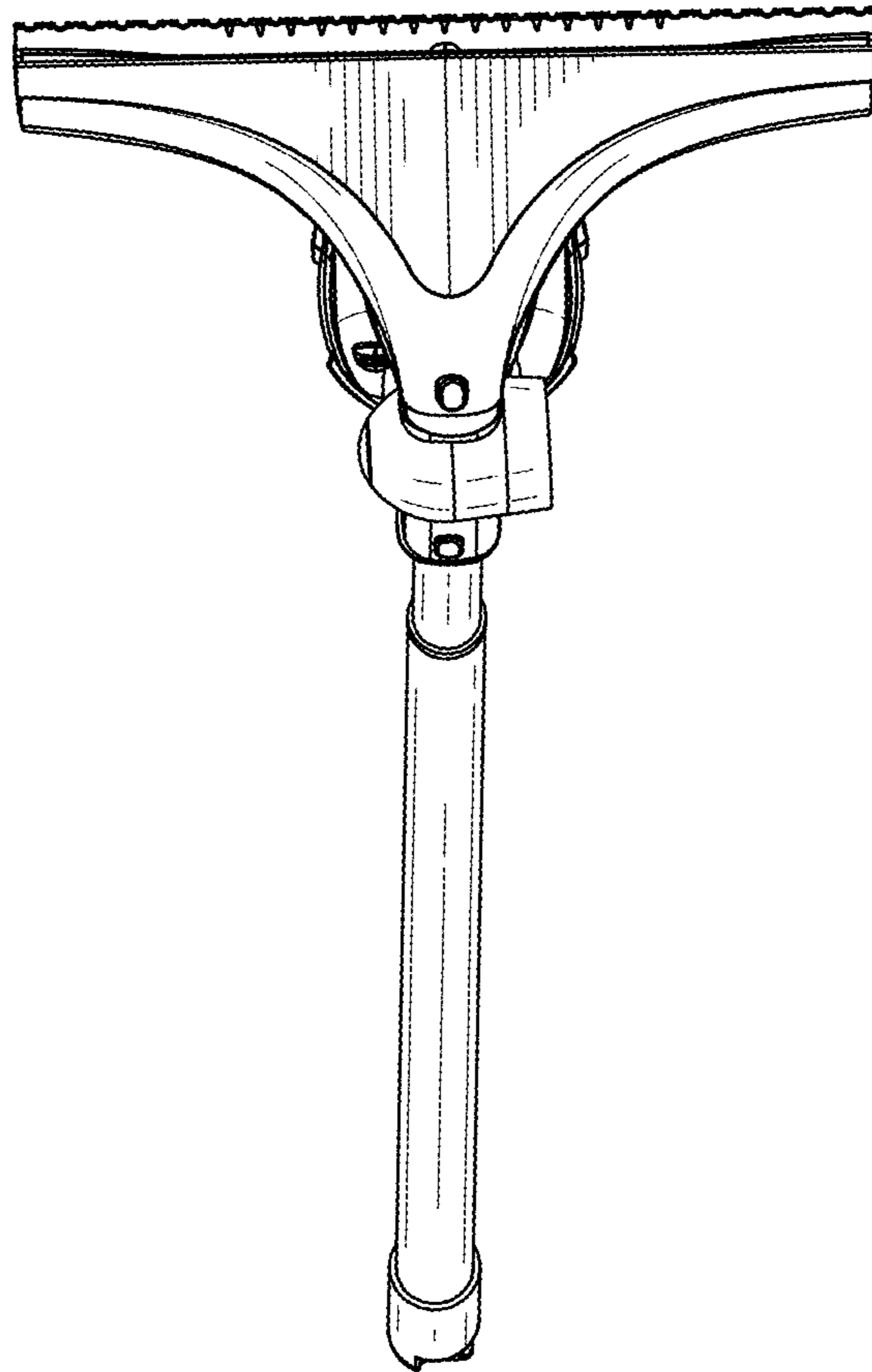


FIG. 7