



US00D697277S

(12) **United States Design Patent**
Massip et al.

(10) **Patent No.:** **US D697,277 S**
(45) **Date of Patent:** **** Jan. 7, 2014**

(54) **BASE FOR A GARMENT STEAMER**

(75) Inventors: **Victor Massip**, Nantes (FR); **Laurent Lebot**, Nantes (FR)

(73) Assignee: **Calor**, Ecully (FR)

(**) Term: **14 Years**

(21) Appl. No.: **29/407,924**

(22) Filed: **Dec. 5, 2011**

(30) **Foreign Application Priority Data**

Jun. 6, 2011 (EM) 001279681-0001
Jun. 6, 2011 (EM) 001279681-0002

(51) **LOC (10) Cl.** **15-05**

(52) **U.S. Cl.**
USPC **D32/32**

(58) **Field of Classification Search**
USPC D32/17-21, 24, 31-33, 50; 15/320, 15/322, 327.1, 327.5-327.7, 353, 15/415.1-422, 422.1, 329, 366, 383, 384, 15/400, 340.4, 340.2, 52.2, 50.1, 50.2; 68/222, 5 R, 5 A; 392/403-406, 394, 392/386; 8/149.3; 239/136, 128; 137/241; 38/77.5-77.7, 77.9, 3, 14, 141, 77.83

See application file for complete search history.

(56) **References Cited**

U.S. PATENT DOCUMENTS

5,609,047 A * 3/1997 Hellman et al. 68/222
D451,653 S * 12/2001 Berreth et al. D32/17
D489,499 S * 5/2004 Buzzi D32/17
D499,517 S * 12/2004 Chen D32/17
D504,198 S * 4/2005 Hopper et al. D32/17
6,886,373 B2 * 5/2005 Carrubba et al. 68/222
D520,196 S * 5/2006 Liu D32/21
D522,192 S * 5/2006 Liu et al. D32/21

D523,597 S * 6/2006 Lee D32/17
D530,468 S * 10/2006 Lee D32/21
D531,768 S * 11/2006 Lee D32/21
D537,215 S * 2/2007 Foersterling D32/9
D561,958 S * 2/2008 Hahn D32/17
D576,771 S * 9/2008 Reiner D32/9
D580,607 S * 11/2008 Tobias D32/17
D599,511 S * 9/2009 Massip et al. D32/17
D607,620 S * 1/2010 Massip et al. D32/17
D623,365 S * 9/2010 Ediger et al. D32/17
D623,366 S * 9/2010 Ediger et al. D32/17
D627,940 S * 11/2010 Smith D32/17

(Continued)

FOREIGN PATENT DOCUMENTS

EM 001244479-0001 11/2010
EM 001828864-0001 3/2011

OTHER PUBLICATIONS

U.S. Appl. No. 29/407,923, filed Dec. 5, 2011, Victor Massip et al.

Primary Examiner — Ruth McInroy

(74) *Attorney, Agent, or Firm* — Loeb & Loeb, LLP

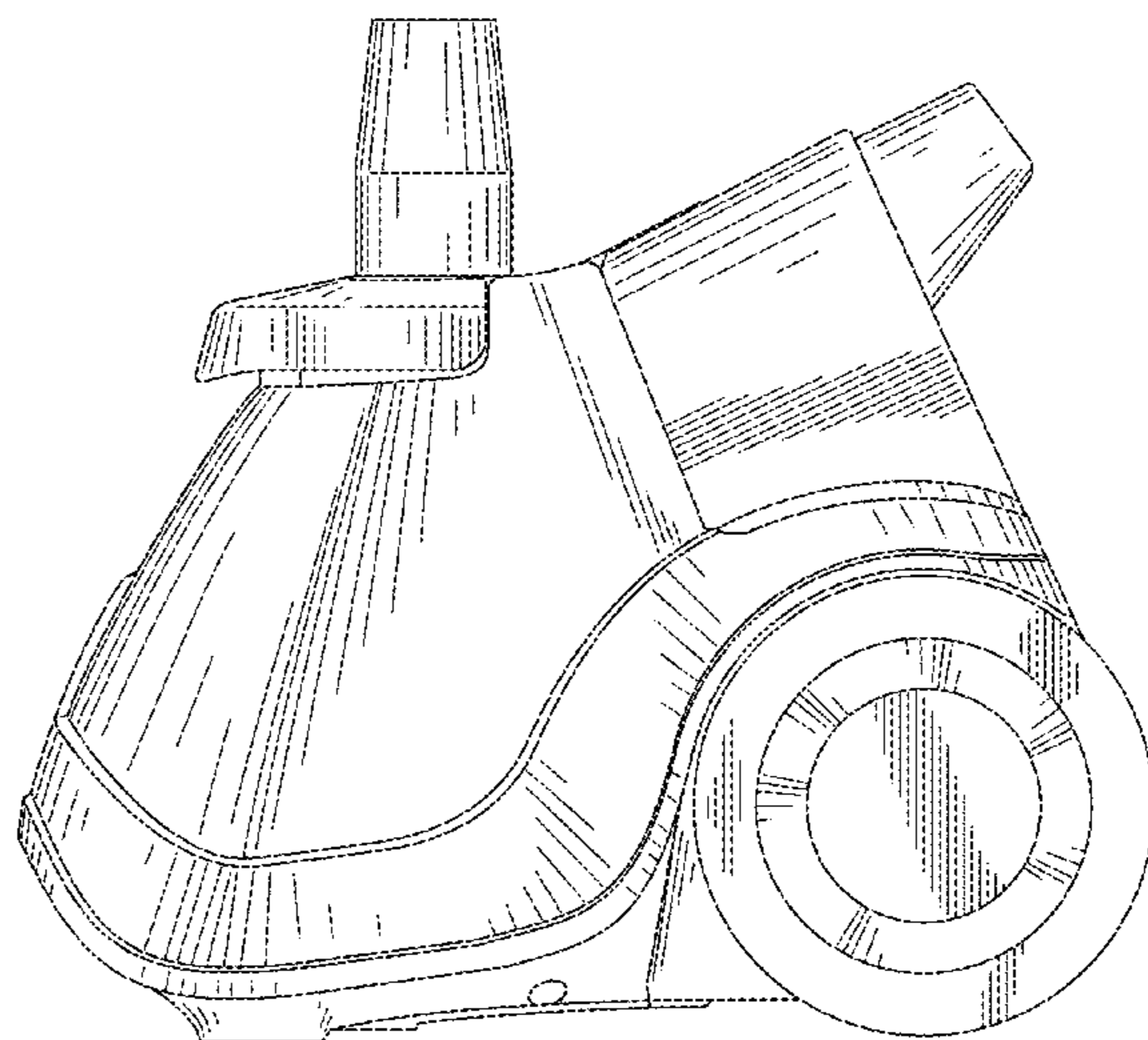
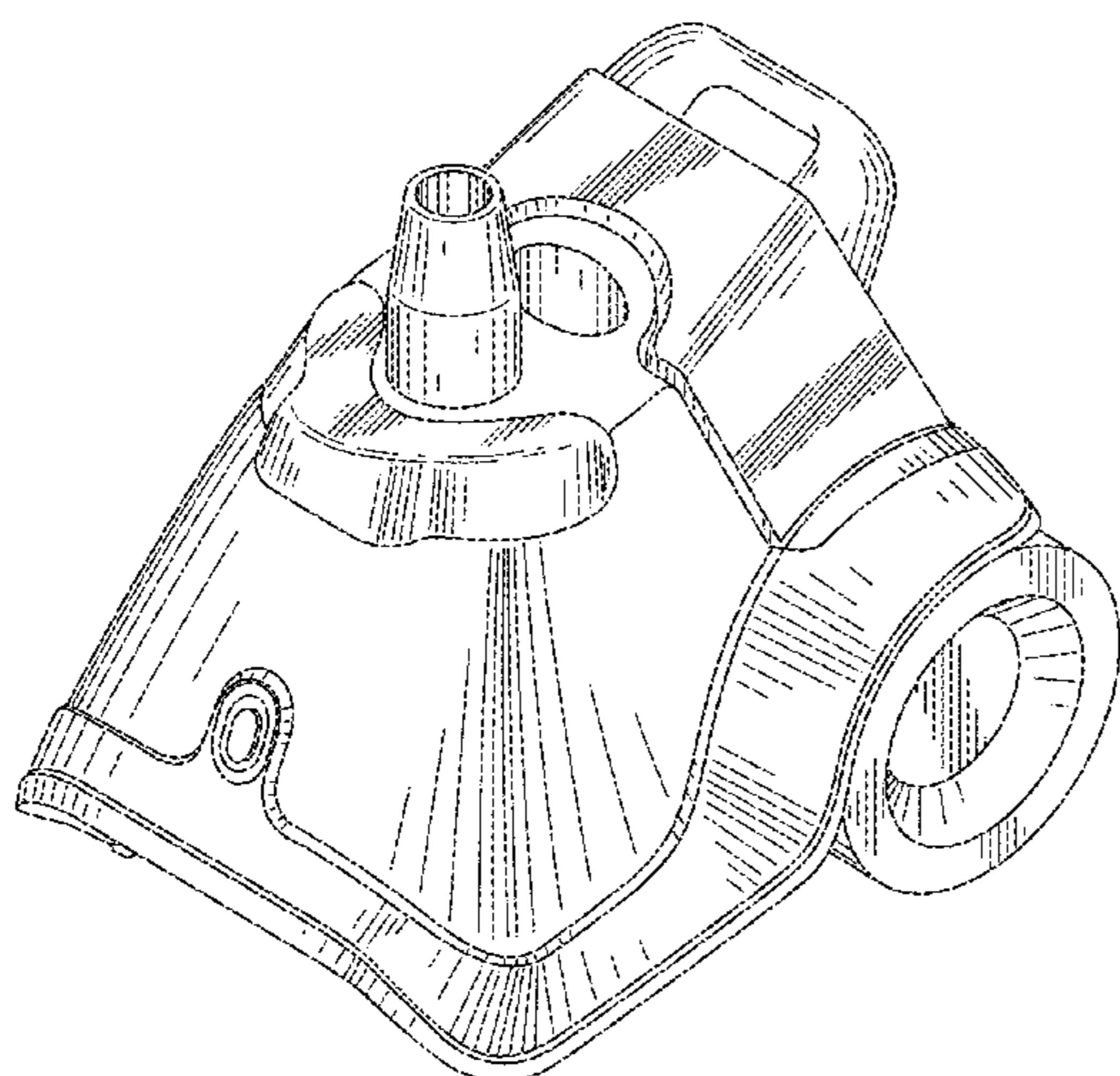
(57) **CLAIM**

The ornamental design for a base for a garment steamer, as shown and described.

DESCRIPTION

FIG. 1 is a front perspective view of a base for a garment steamer showing our new design;
FIG. 2 is a left side elevational view thereof;
FIG. 3 is a right side elevational view thereof;
FIG. 4 is a front elevational view thereof;
FIG. 5 is a rear elevational view thereof;
FIG. 6 is a top plan view thereof; and,
FIG. 7 is a bottom plan view thereof.
The details shown in broken lines form no part of the claimed design.

1 Claim, 7 Drawing Sheets



(56)

References Cited

U.S. PATENT DOCUMENTS

D652,185 S *	1/2012	Mu	D32/21	8,275,248 B2 *	9/2012	Xu et al.	392/394
8,091,747 B2 *	1/2012	Haan	223/90	D670,044 S *	10/2012	Andreesen	D32/17
D657,100 S *	4/2012	Ediger et al.	D32/17	8,302,334 B2 *	11/2012	Krebs et al.	38/77.83
D659,919 S *	5/2012	Lin	D32/17	2004/0144140 A1 *	7/2004	Lee	68/222
8,205,363 B2 *	6/2012	Lin et al.	38/77.6	2005/0150261 A1 *	7/2005	Carlucci	68/222
D663,496 S *	7/2012	Ediger et al.	D32/17	2006/0188239 A1 *	8/2006	Carlucci	392/403
					2009/0255302 A1 *	10/2009	Haan	68/222
					2011/0107546 A1 *	5/2011	Spatz et al.	15/320

* cited by examiner

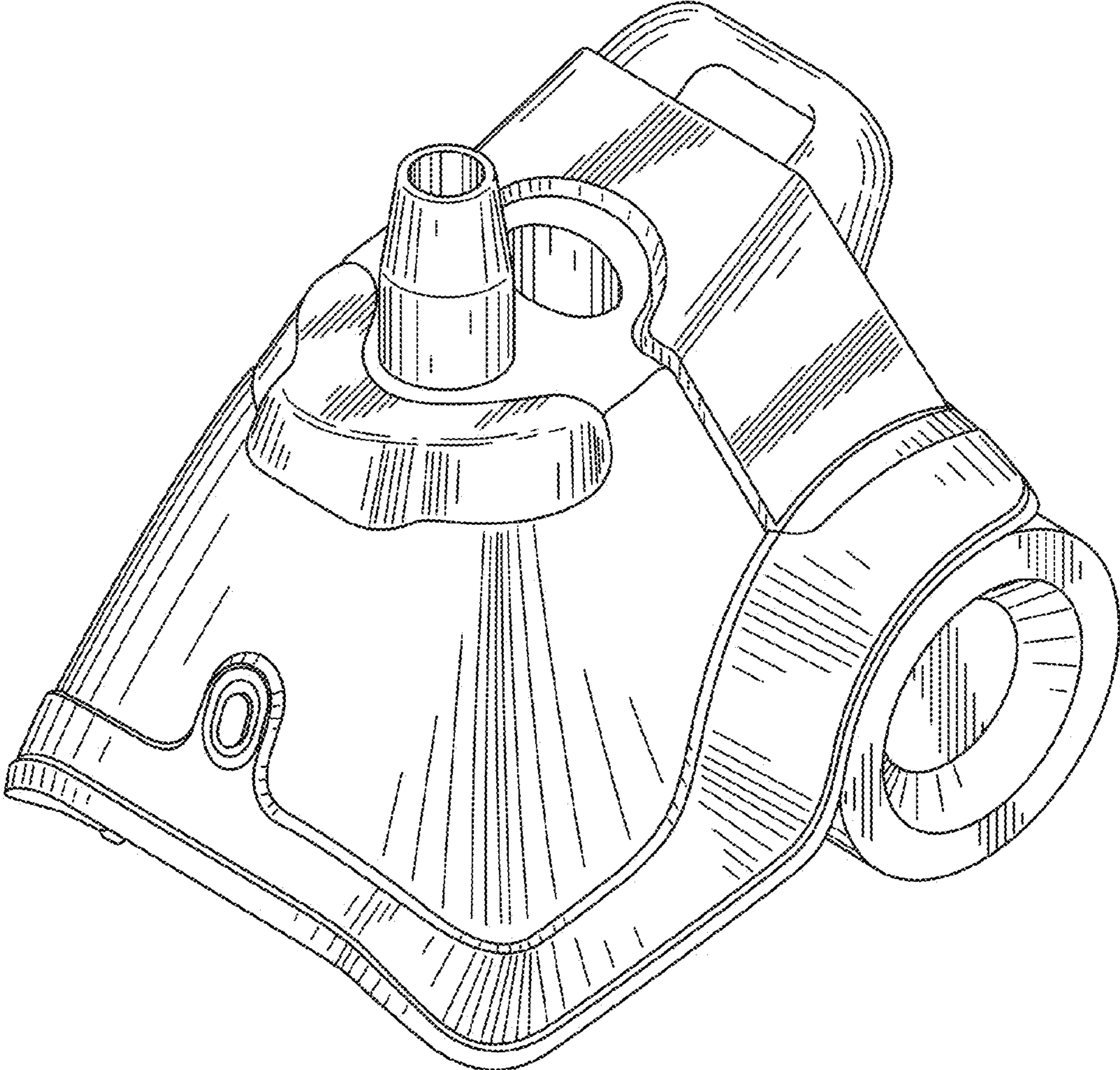


Fig. 1

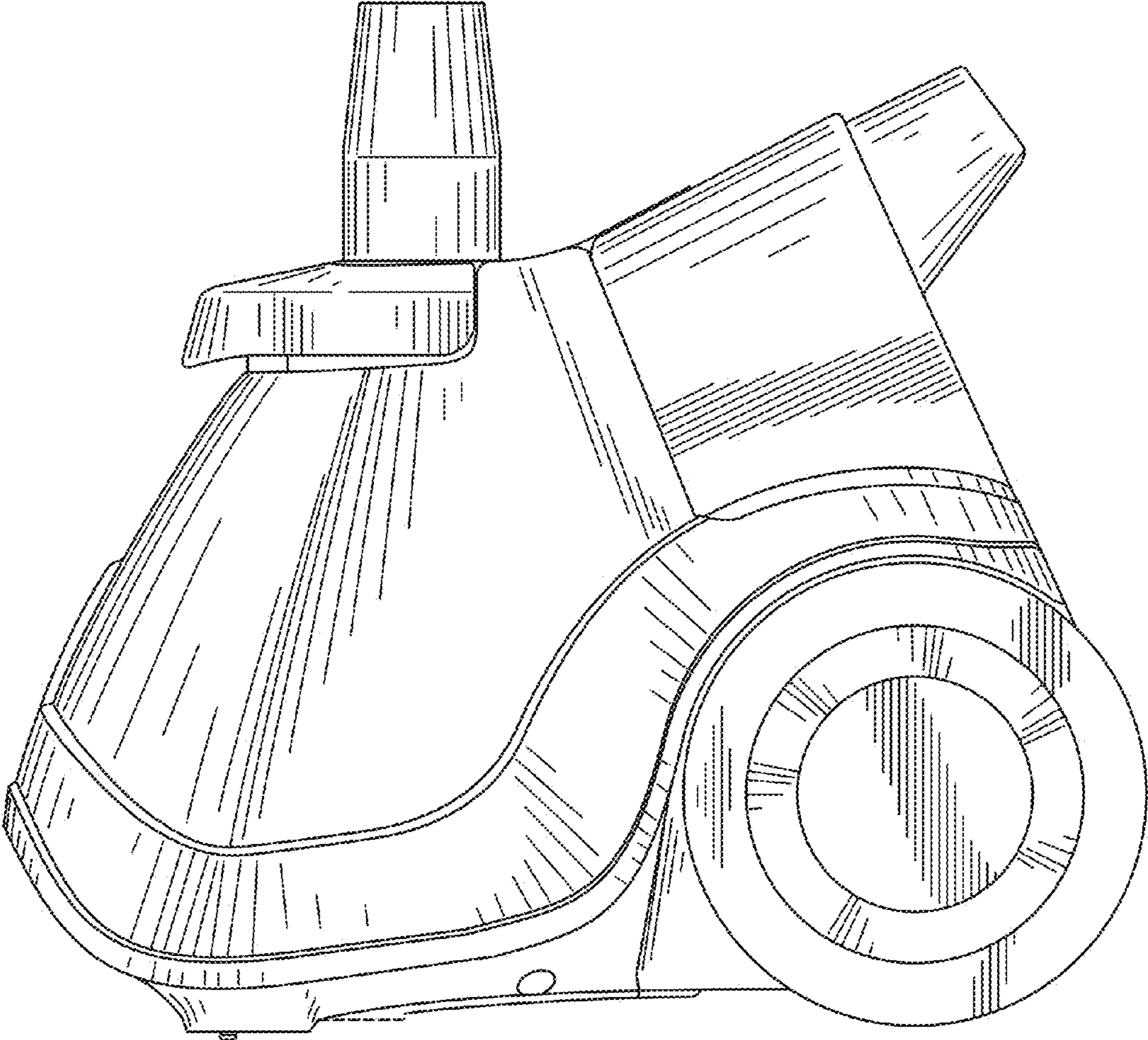


Fig. 2

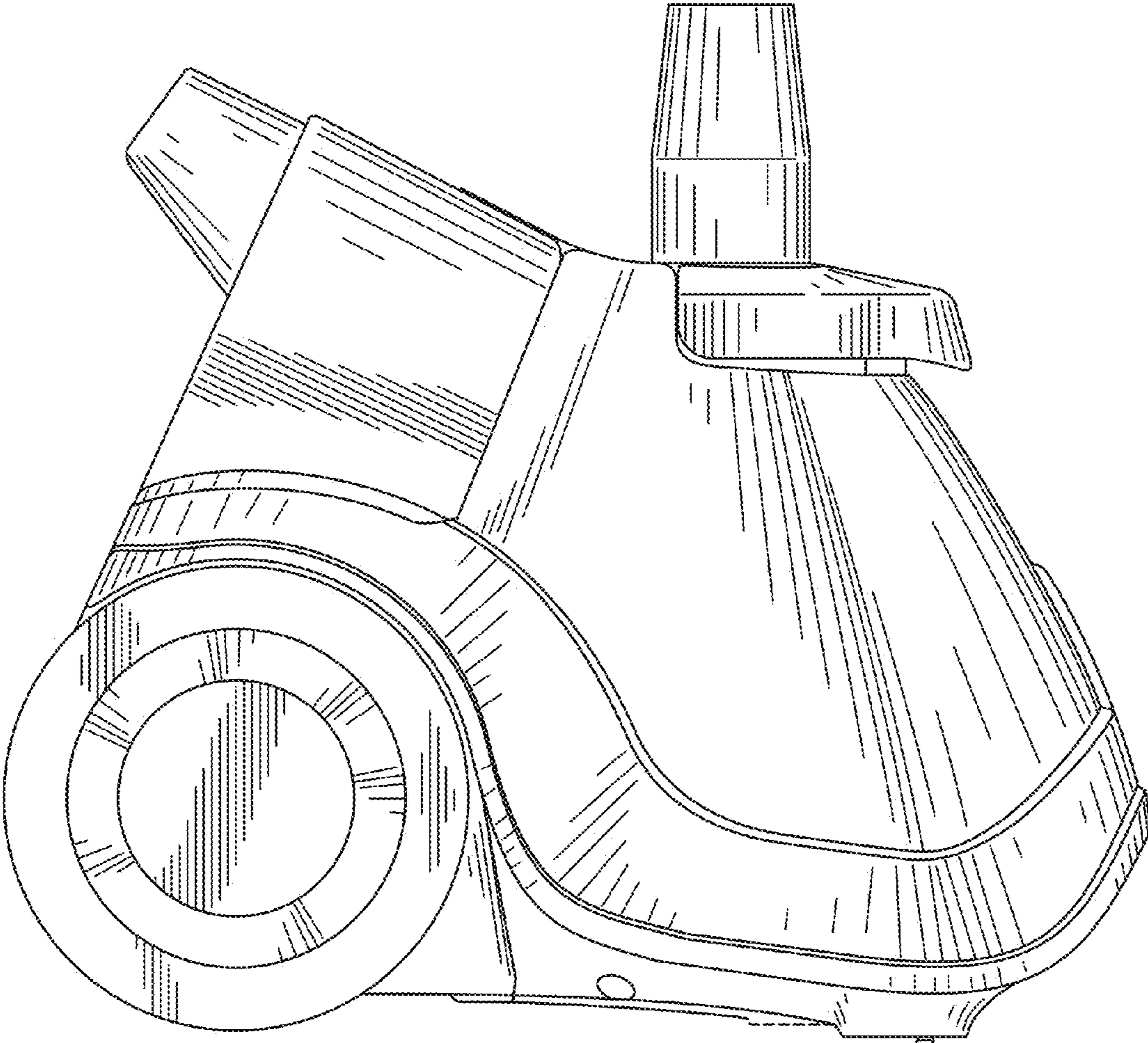


Fig. 3

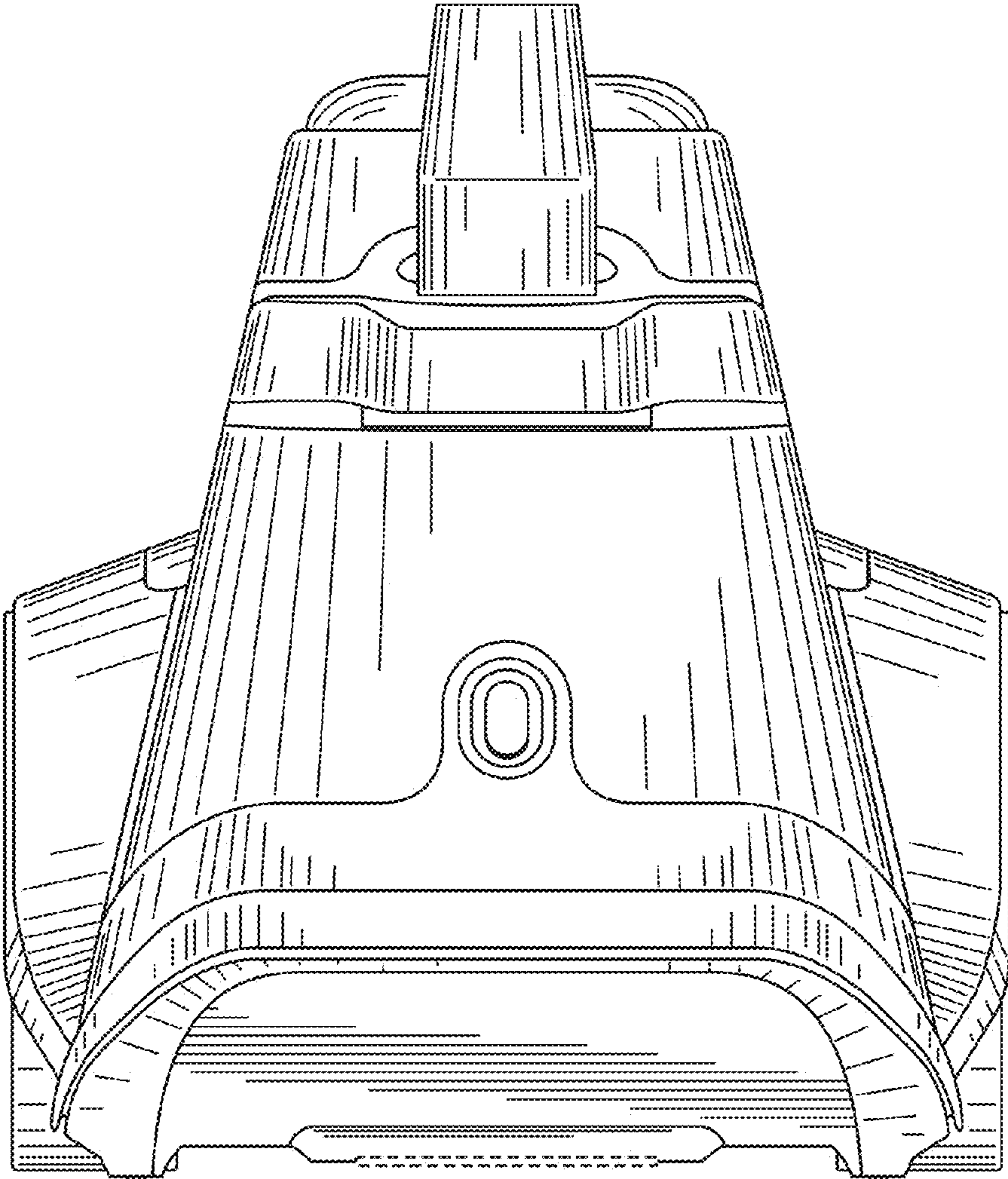


Fig. 4

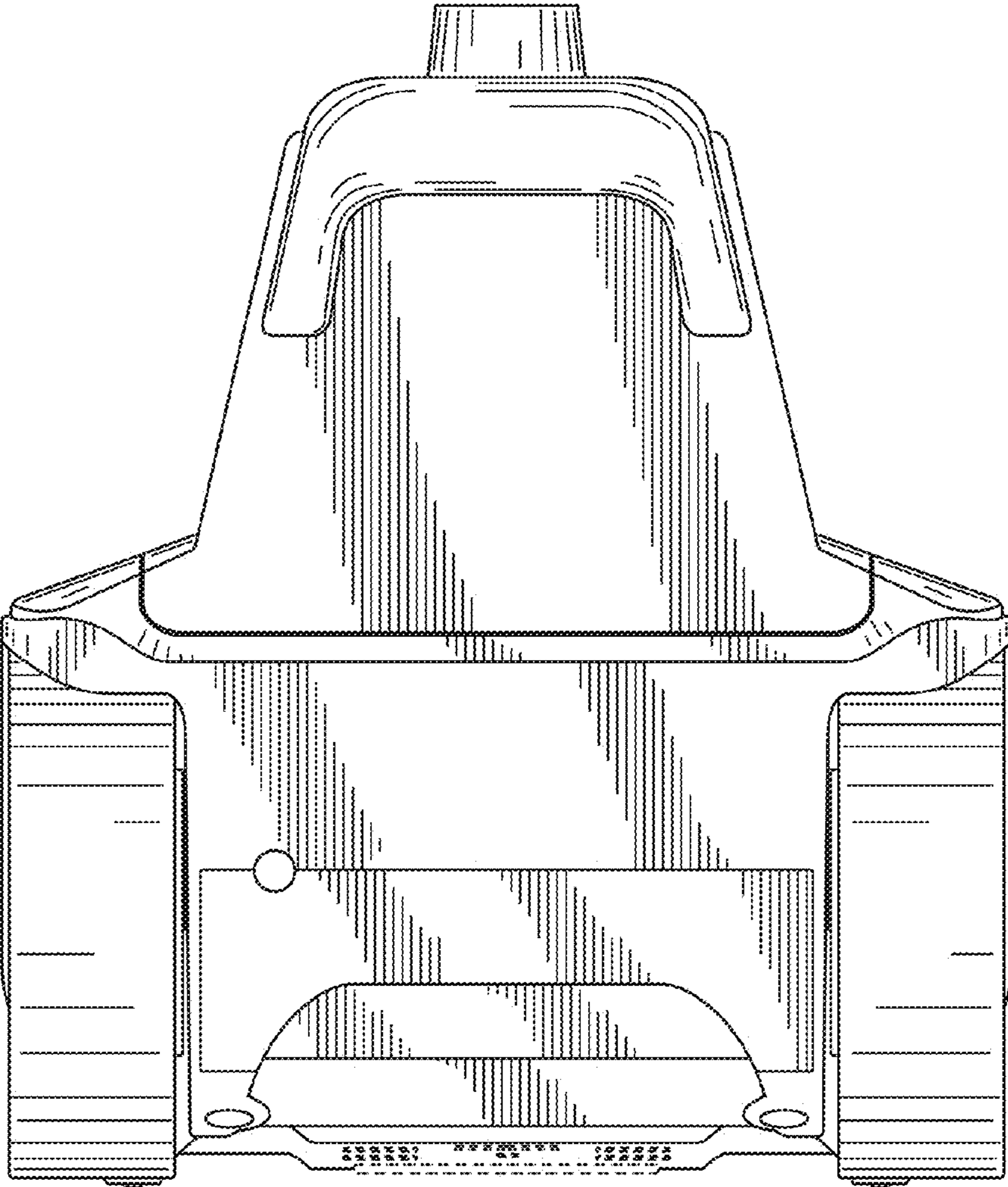


Fig. 5

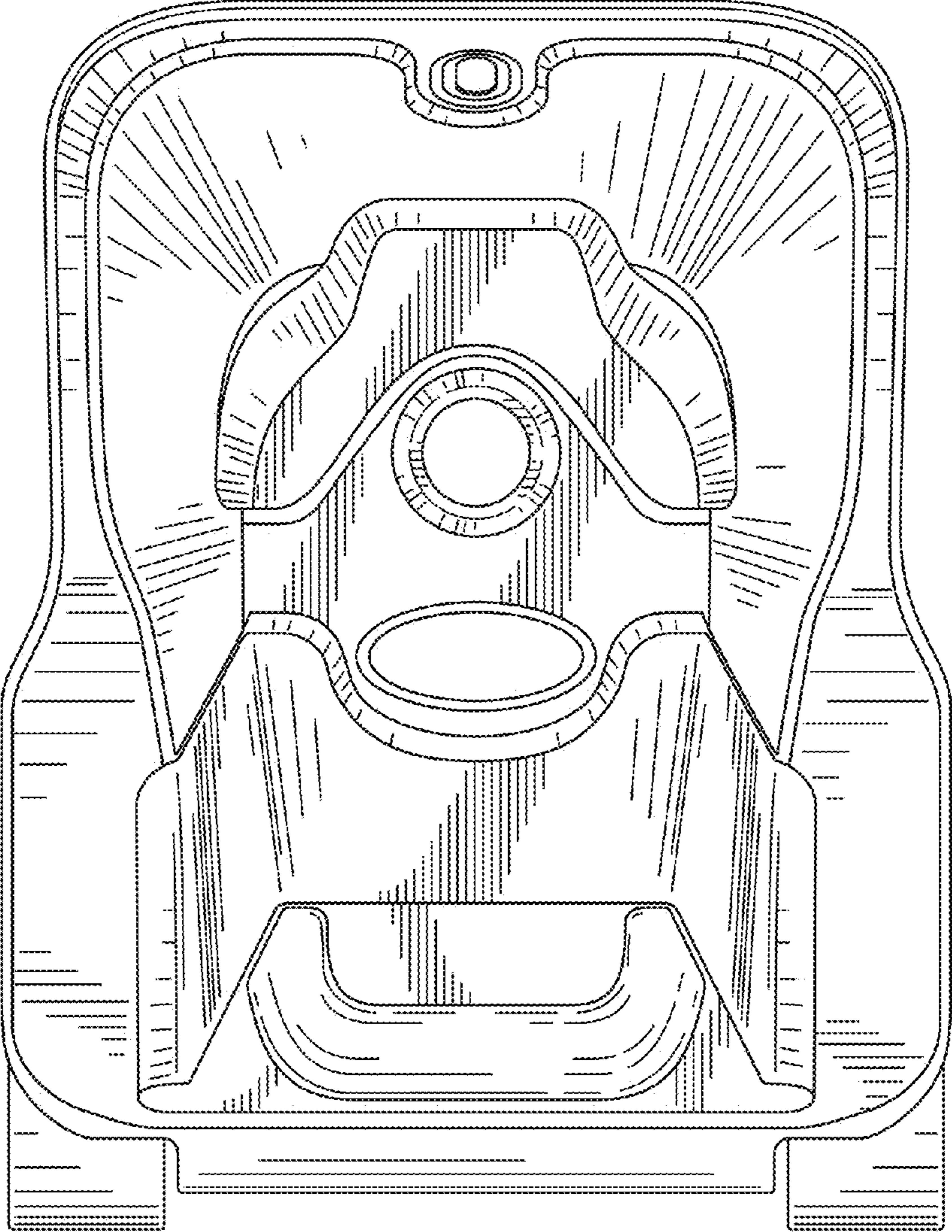


Fig. 6

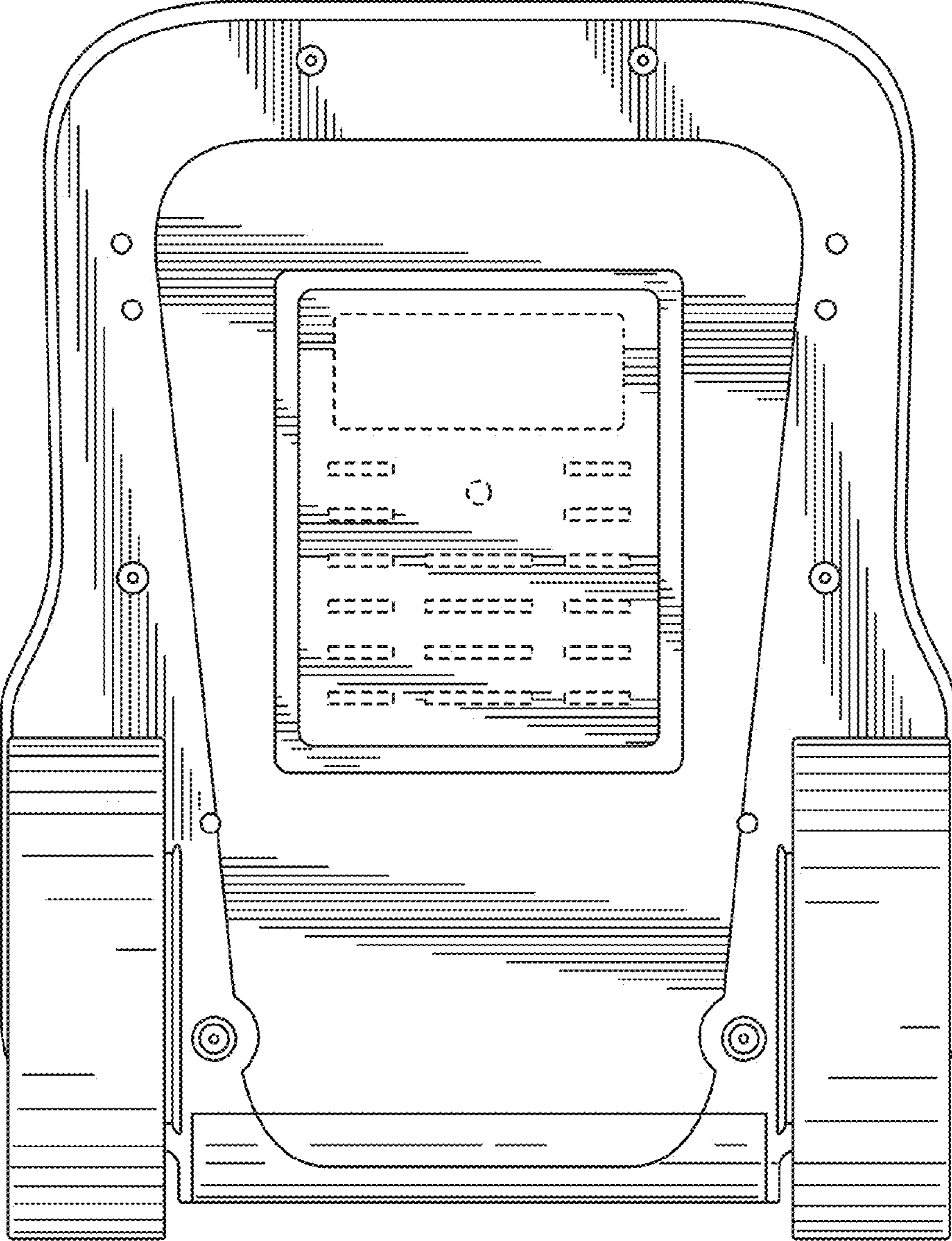


Fig. 7