



US00D697275S

(12) **United States Design Patent**
Yerton et al.

(10) **Patent No.:** **US D697,275 S**
(45) **Date of Patent:** **** Jan. 7, 2014**

(54) **PET CHEW TOY**

(71) Applicant: **R2P Group, Inc.**, Emeryville, CA (US)

(72) Inventors: **Nicholas R. Yerton**, Oakland, CA (US);
David C. Woodward, Kowloon (CN);
Barbara L. Agnew, San Diego, CA (US)

(73) Assignee: **R2P Group, Inc.**, Emeryville, CA (US)

(**) Term: **14 Years**

(21) Appl. No.: **29/446,020**

(22) Filed: **Feb. 19, 2013**

(51) **LOC (10) Cl.** **30-99**

(52) **U.S. Cl.**
USPC **D30/160; D1/106**

(58) **Field of Classification Search**
USPC 446/72, 97-98, 268, 369, 486
See application file for complete search history.

(56) **References Cited**

U.S. PATENT DOCUMENTS

D202,331 S *	9/1965	Fisher	D30/160
D231,087 S *	4/1974	Edwards	D9/503
D338,993 S *	9/1993	Lilly	D1/106
D358,007 S *	5/1995	Axelrod	D30/160
D438,902 S *	3/2001	O'Shei et al.	D19/51
D442,224 S *	5/2001	O'Shei	D19/36
D450,894 S *	11/2001	Suchowski et al.	D30/160
6,990,927 B2 *	1/2006	Axelrod	119/707
D514,278 S *	2/2006	Weinberg	D1/199

D535,065 S *	1/2007	Fenwick	D30/160
D536,506 S *	2/2007	Unlu	D1/106
D552,994 S *	10/2007	Feen	D9/516
D568,748 S *	5/2008	Harrison et al.	D9/516
7,497,189 B2 *	3/2009	Torney et al.	119/709
D614,964 S *	5/2010	Verdura et al.	D9/543
D620,800 S *	8/2010	Thielman et al.	D9/516
D626,294 S *	10/2010	Johnson	D30/151
D646,319 S *	10/2011	Popracova	D9/516
D655,056 S *	2/2012	Blair	D30/160
D685,146 S *	6/2013	Stiles	D30/160

* cited by examiner

Primary Examiner — Cathy A MacCormac

(74) *Attorney, Agent, or Firm* — Rathe Lindenbaum LLP

(57) **CLAIM**

We claim the ornamental design for a pet chew toy, as shown and described.

DESCRIPTION

FIG. 1 is a top perspective view of a pet chew toy illustrating our design;

FIG. 2 is a top view thereof;

FIG. 3 is a bottom view thereof;

FIG. 4 is a left side view thereof;

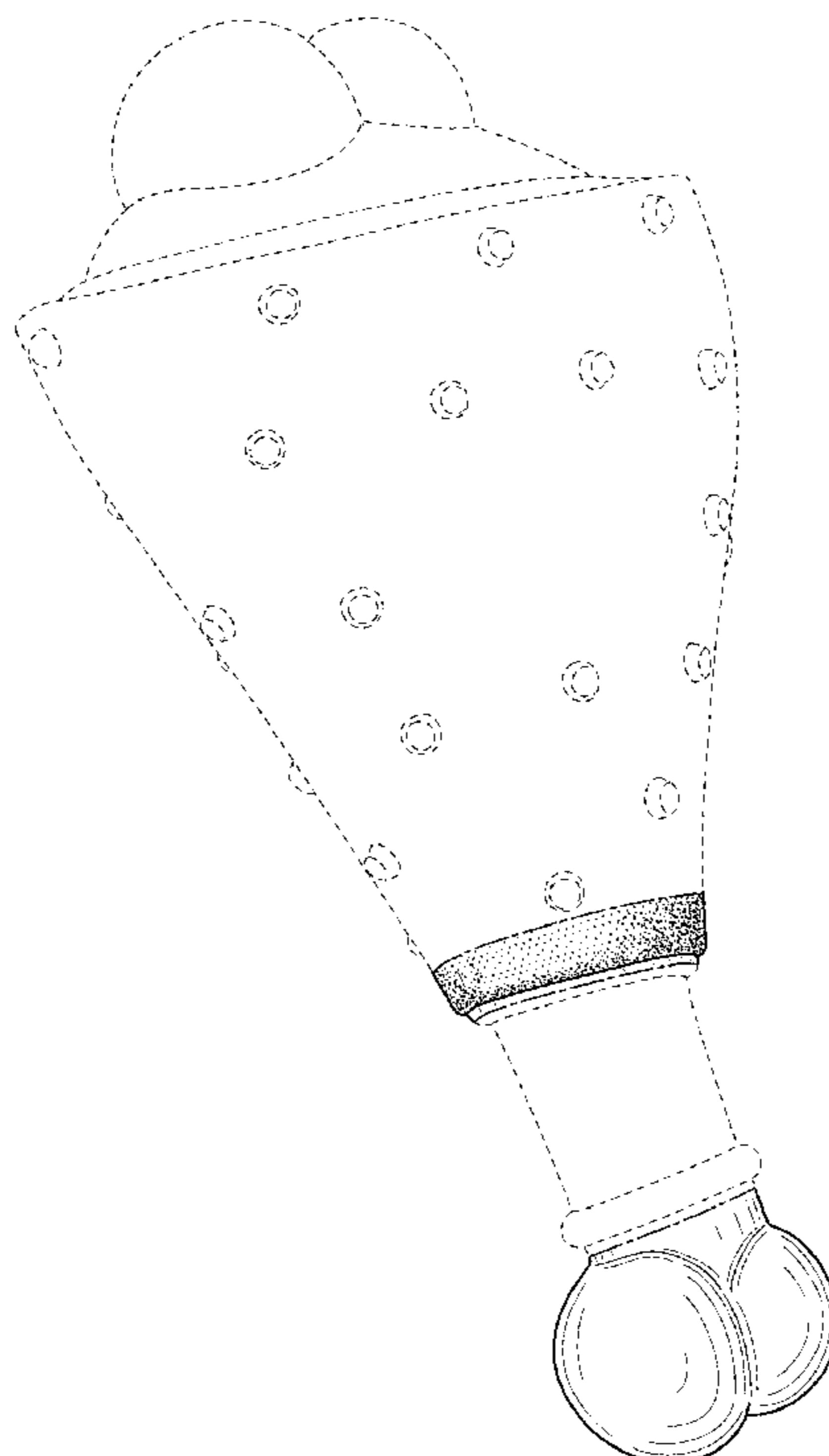
FIG. 5 is a right side view thereof;

FIG. 6 is a front view thereof; and,

FIG. 7 is a rear view thereof.

The broken lines in the drawings are for illustrative purposes only and form no part of the claimed design. The short dash-long dash lines are boundary lines which do not form part of the claimed design. The stippling represents a contrast in materials.

1 Claim, 5 Drawing Sheets



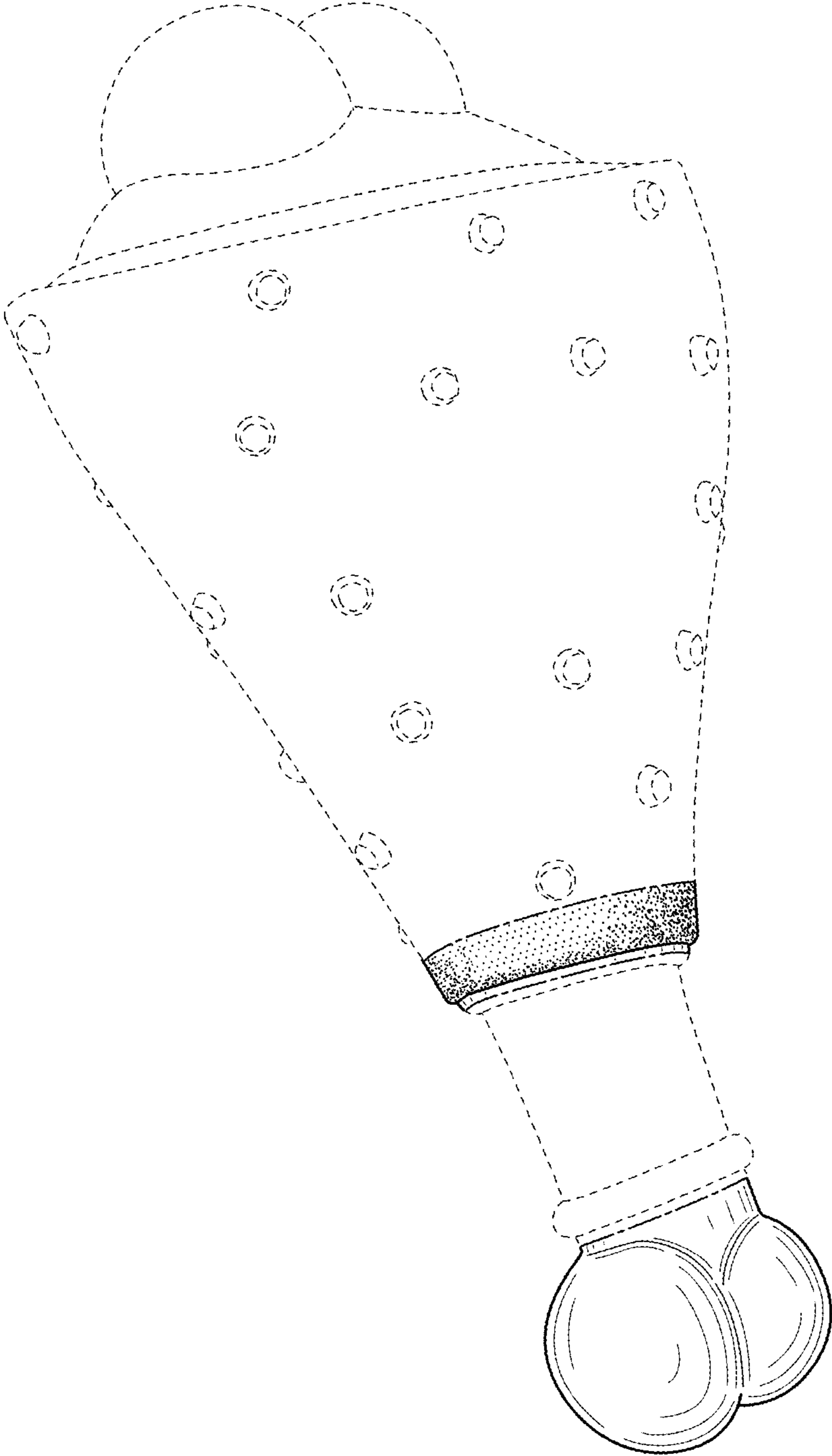


FIG. 1

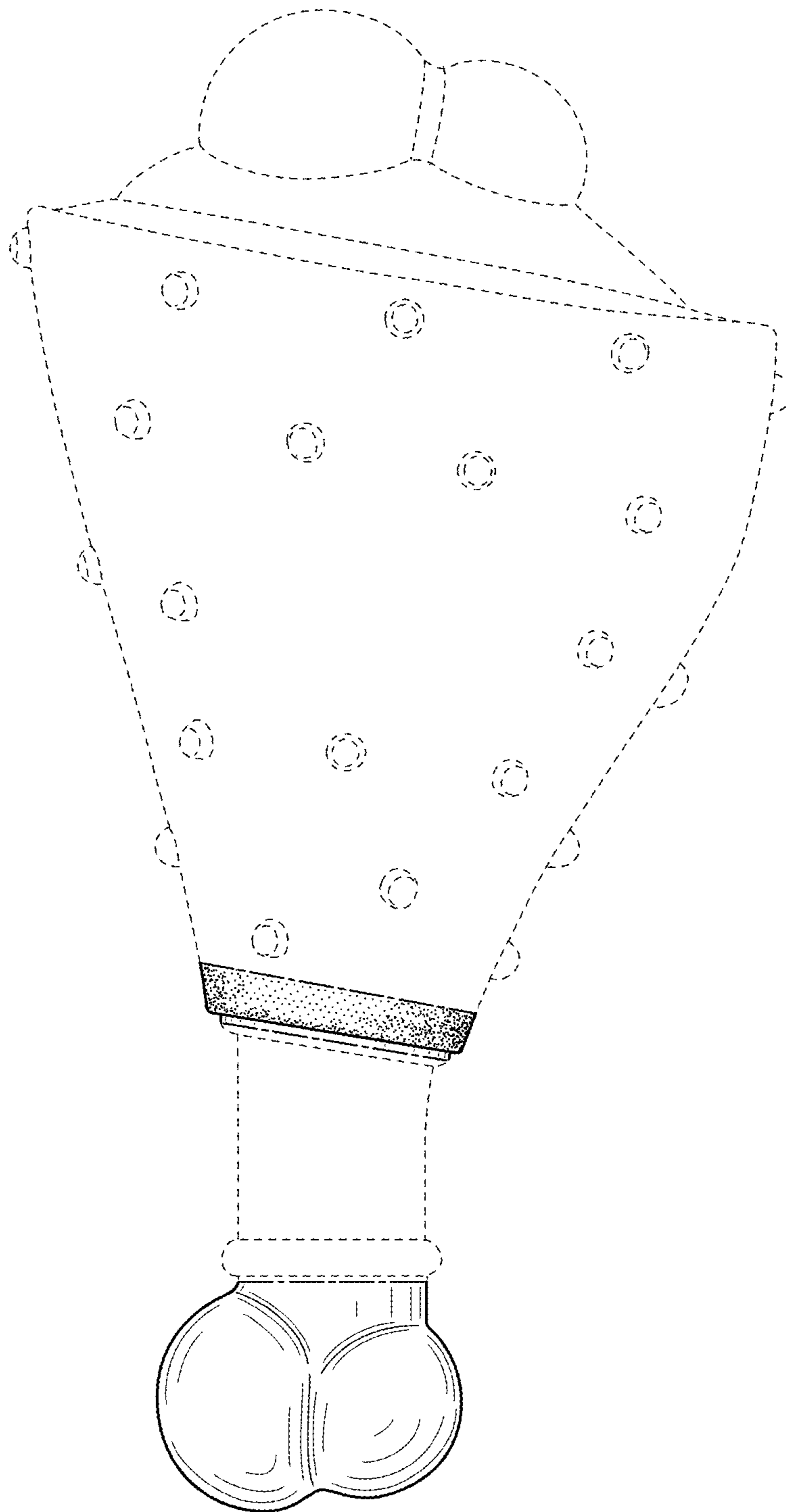


FIG. 2

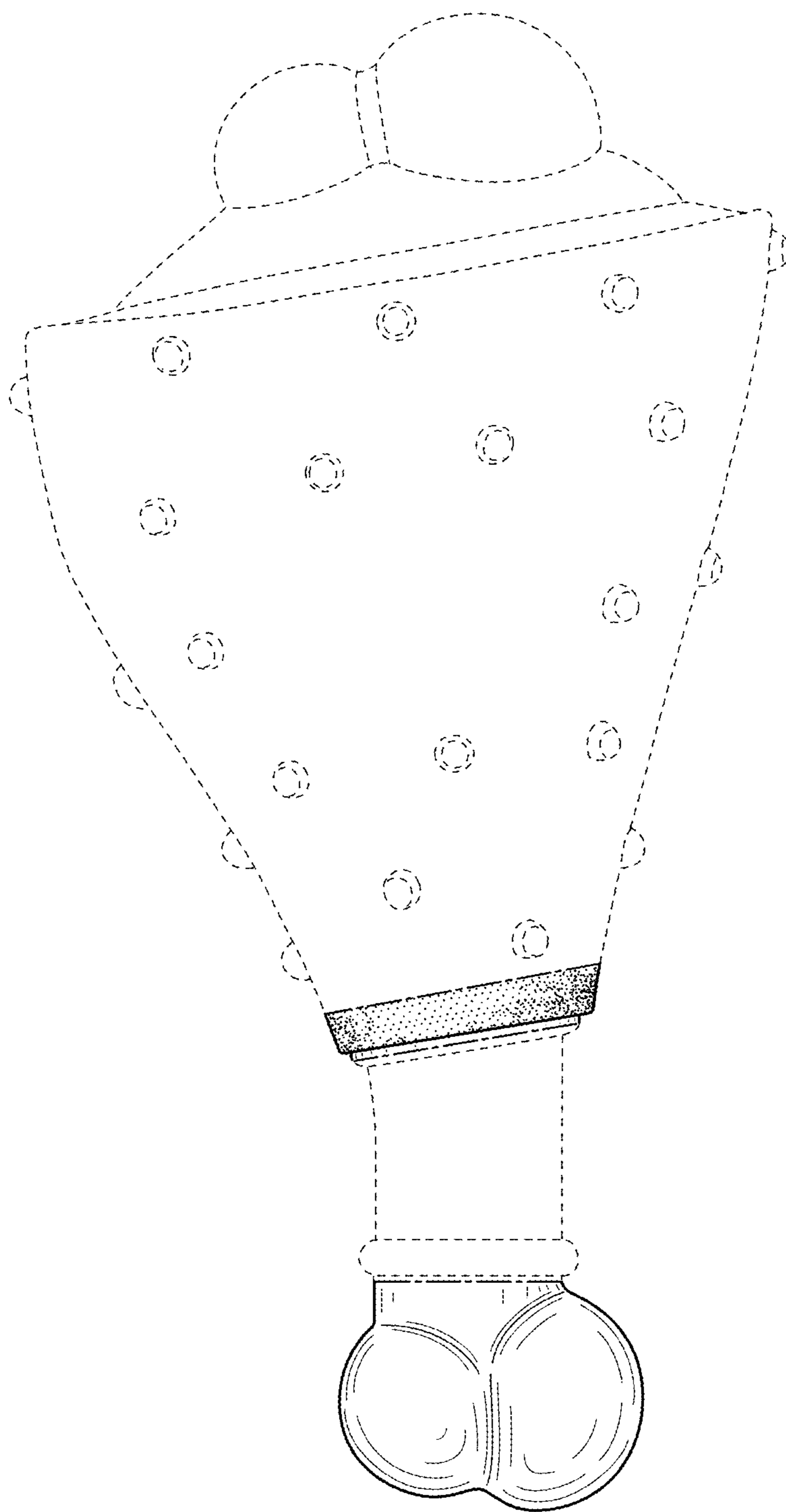


FIG. 3

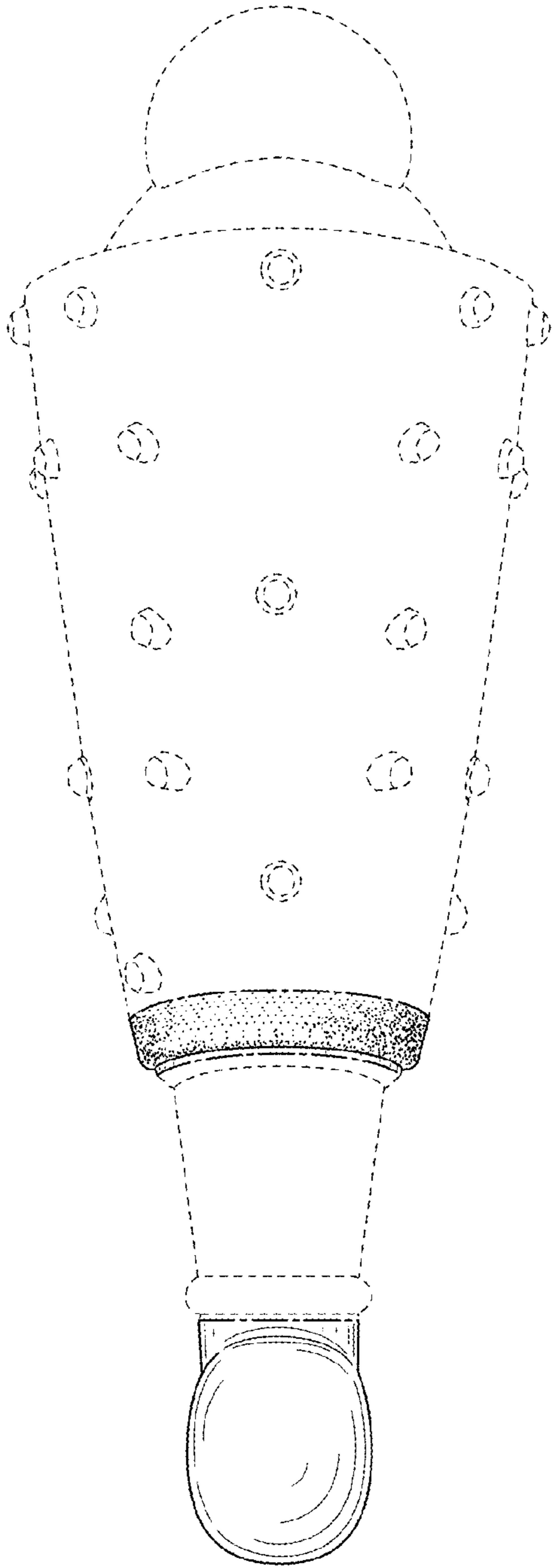


FIG. 4

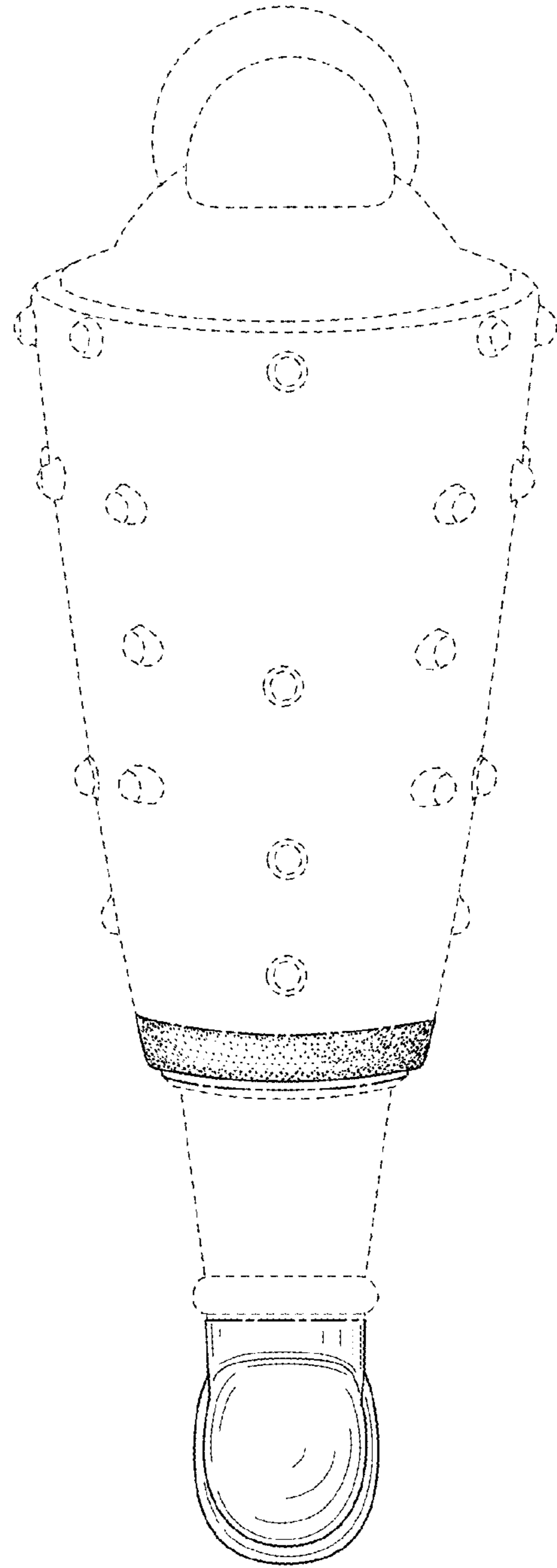


FIG. 5

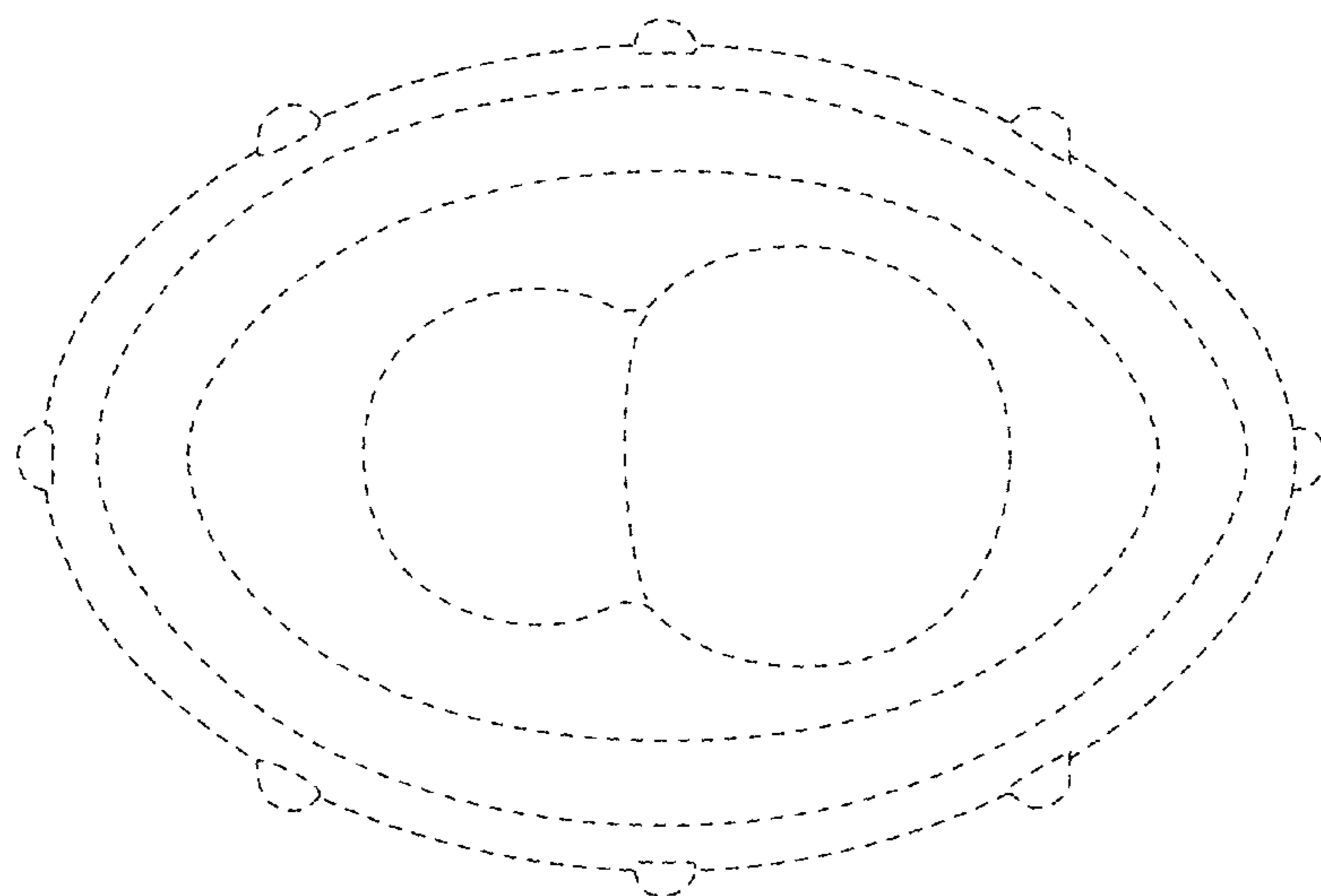


FIG. 6

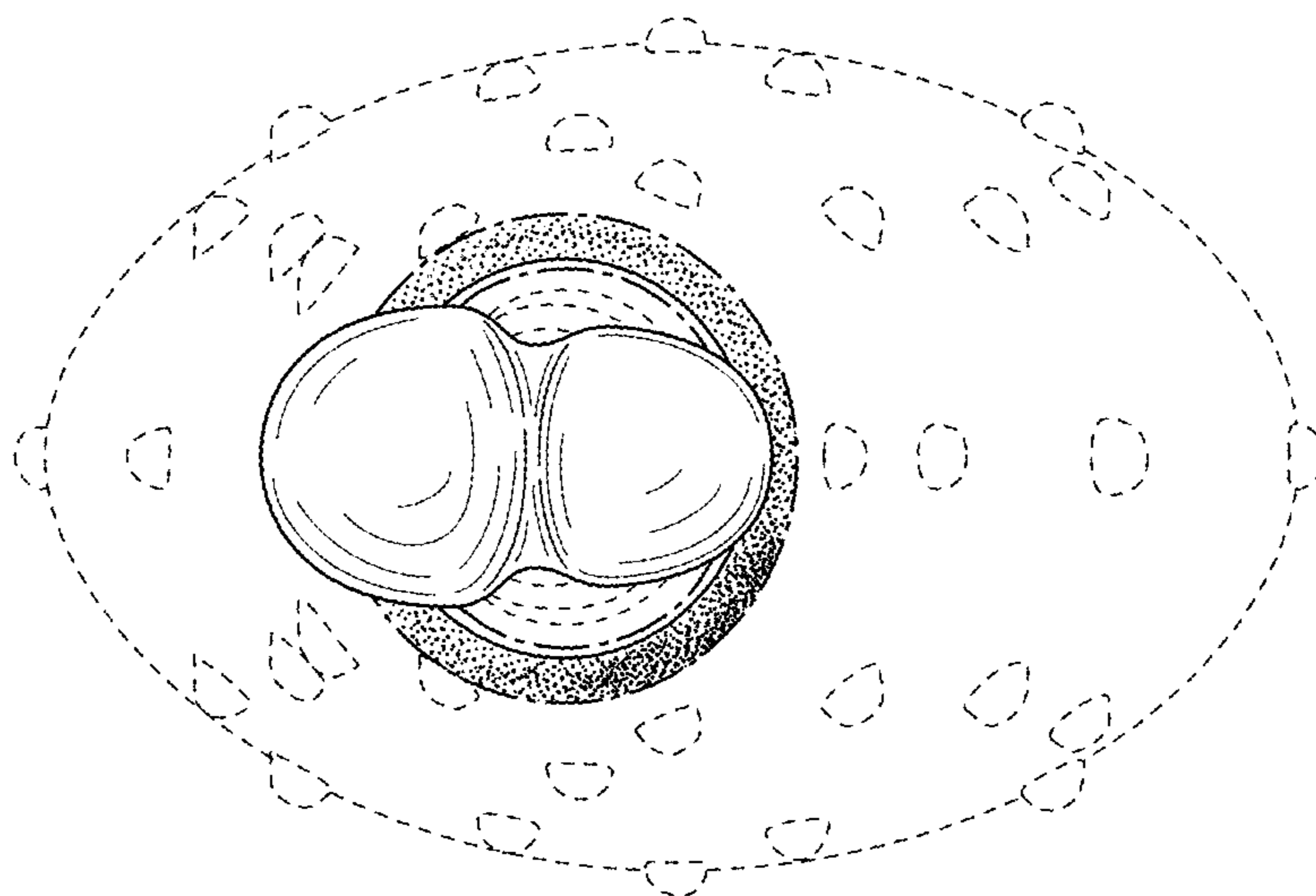


FIG. 7