



US00D697272S

(12) **United States Design Patent**
Moffa

(10) **Patent No.:** **US D697,272 S**
(45) **Date of Patent:** **** Jan. 7, 2014**

(54) **HELMET ACCESSORY**

(71) Applicant: **Louis P. Moffa**, Summerville, SC (US)

(72) Inventor: **Louis P. Moffa**, Summerville, SC (US)

(**) Term: **14 Years**

(21) Appl. No.: **29/441,651**

(22) Filed: **Jan. 8, 2013**

(51) **LOC (10) Cl.** **02-03**

(52) **U.S. Cl.**

USPC **D29/122**

(58) **Field of Classification Search**

USPC D29/102-110, 122; 2/200.1, 200.2,
2/202, 205, 208, 181, 171, 171.1, 171.3,
2/410-414, 416, 421-425, 427, 5, 6.1,
2/6.3, 6.5, 6.6, 6.7, 7-9, 8.2, 457, 2.11,
2/2.14, 2.15, 209.13, 206, 468, 209.4,
2/175.4, 175.6; D2/875, 865, 869, 880,
D2/175.6, 877, 891, 895, 892; D24/110.3,
D24/110.2; 128/201.23, 201.24, 201.29,
128/202.11; D16/208; 396/429, 433;
348/373; 250/330; 345/8

See application file for complete search history.

(56) **References Cited**

U.S. PATENT DOCUMENTS

1,072,321 A * 9/1913 Fitch 2/413
D263,091 S * 2/1982 Booth D29/106
4,912,778 A * 4/1990 Daniels 2/7

5,119,516 A * 6/1992 Broersma 2/411
5,437,064 A * 8/1995 Hamaguchi 2/414
D370,309 S * 5/1996 Stucky D29/102
D430,722 S * 9/2000 Preddy D2/892
D482,163 S * 11/2003 Brown D29/102
D564,134 S * 3/2008 Brundage D29/102
8,225,419 B2 * 7/2012 Hersick et al. 2/5
D667,592 S * 9/2012 Vito D29/122
2004/0231031 A1 * 11/2004 Cho 2/175.4
2006/0225187 A1 * 10/2006 Wu 2/425
2007/0256211 A1 * 11/2007 Maldonado 2/171
2009/0255036 A1 * 10/2009 Lim 2/422

* cited by examiner

Primary Examiner — Ruth McInroy

(74) *Attorney, Agent, or Firm* — Grossman, Tucker,
Perreault & Pflieger, PLLC

(57) **CLAIM**

I claim the ornamental design for a helmet accessory, as
shown and described.

DESCRIPTION

FIG. 1 is a perspective view of a helmet accessory showing
my new design;

FIG. 2 is a rear view thereof;

FIG. 3 is a front view thereof;

FIG. 4 is a right side view thereof;

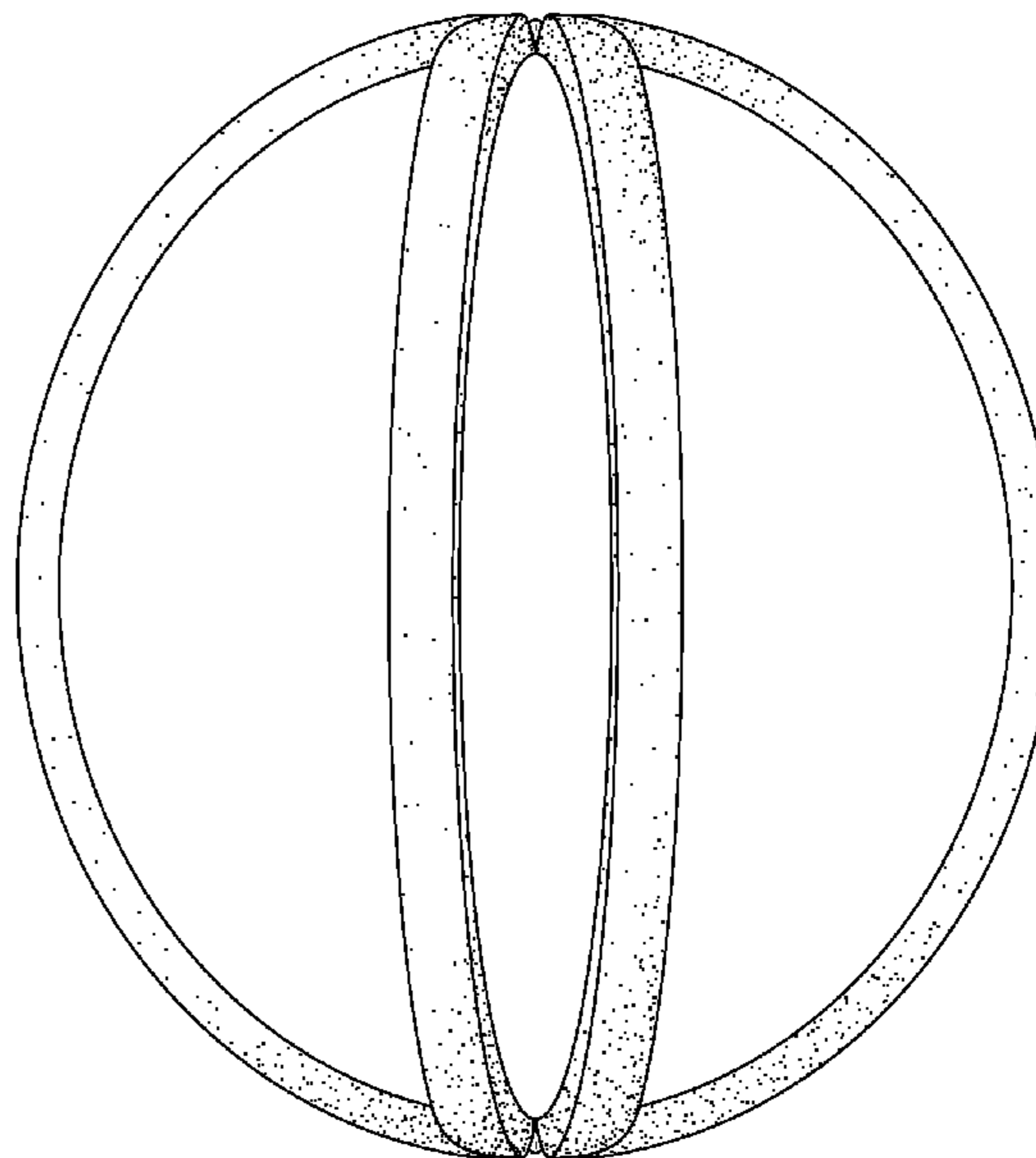
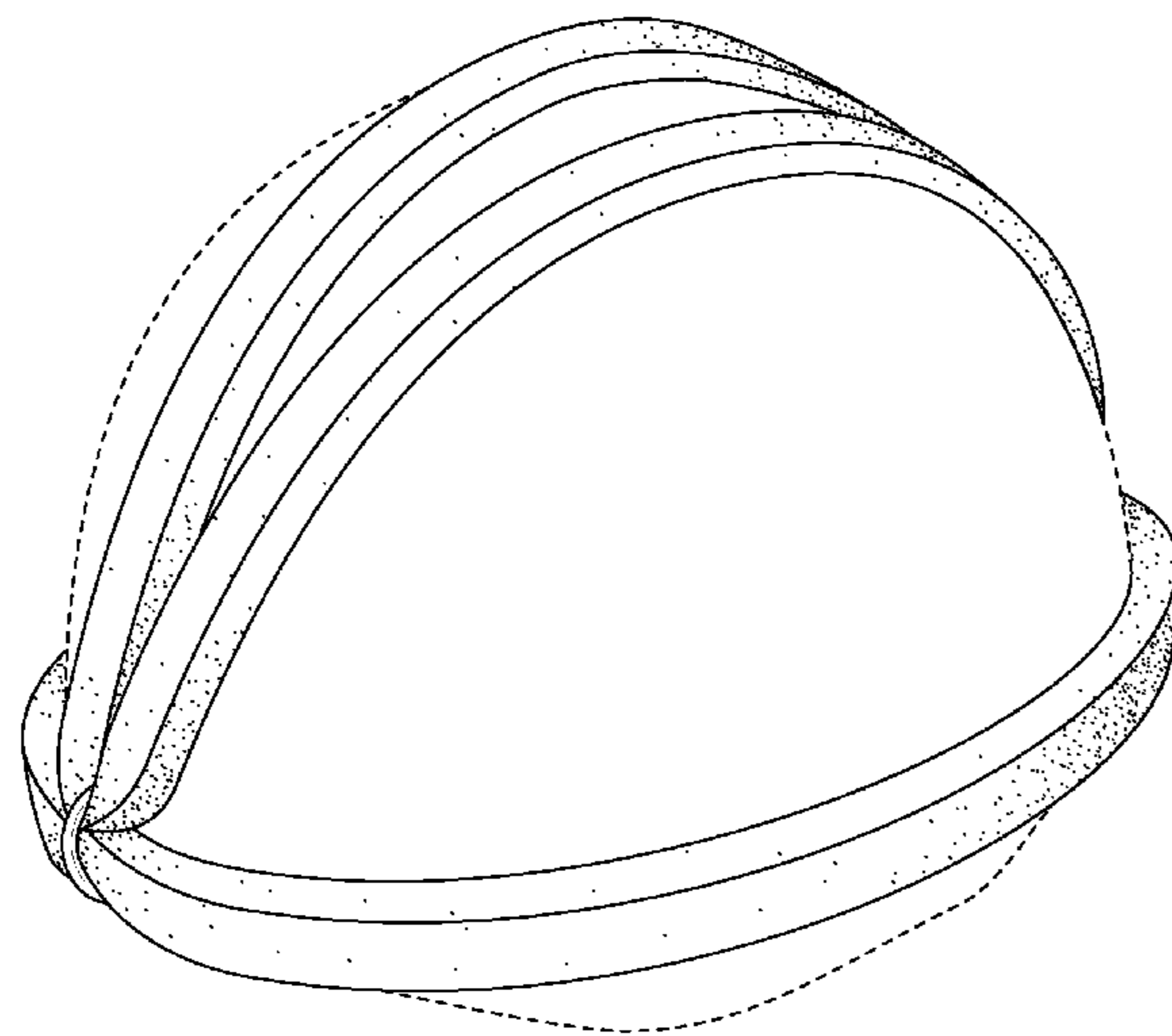
FIG. 5 is a left side view thereof;

FIG. 6 is a top view thereof; and,

FIG. 7 is a bottom view thereof.

The helmet shown in broken lines represents environmental
structure which forms no part of the claimed design.

1 Claim, 7 Drawing Sheets



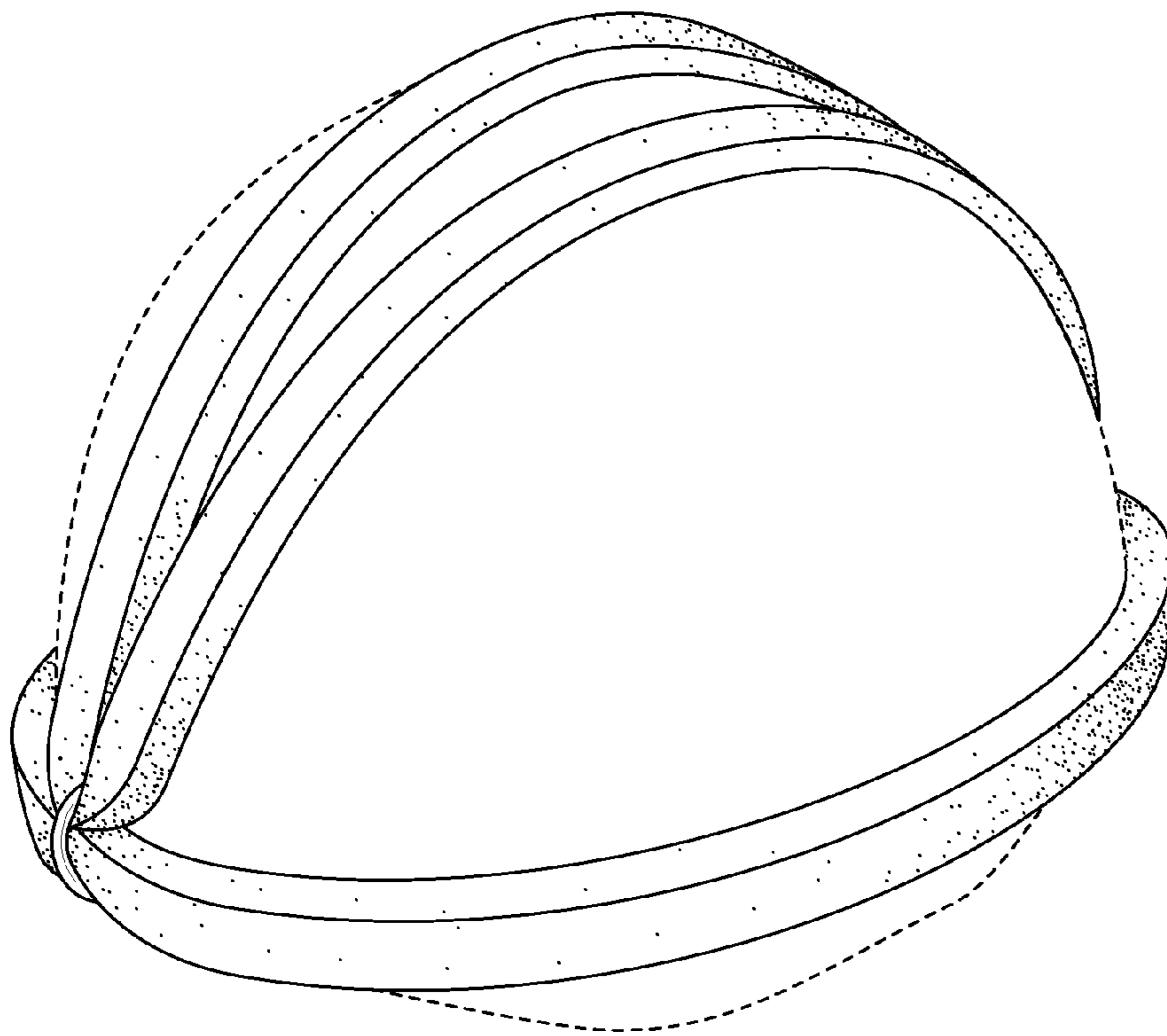


FIG. 1

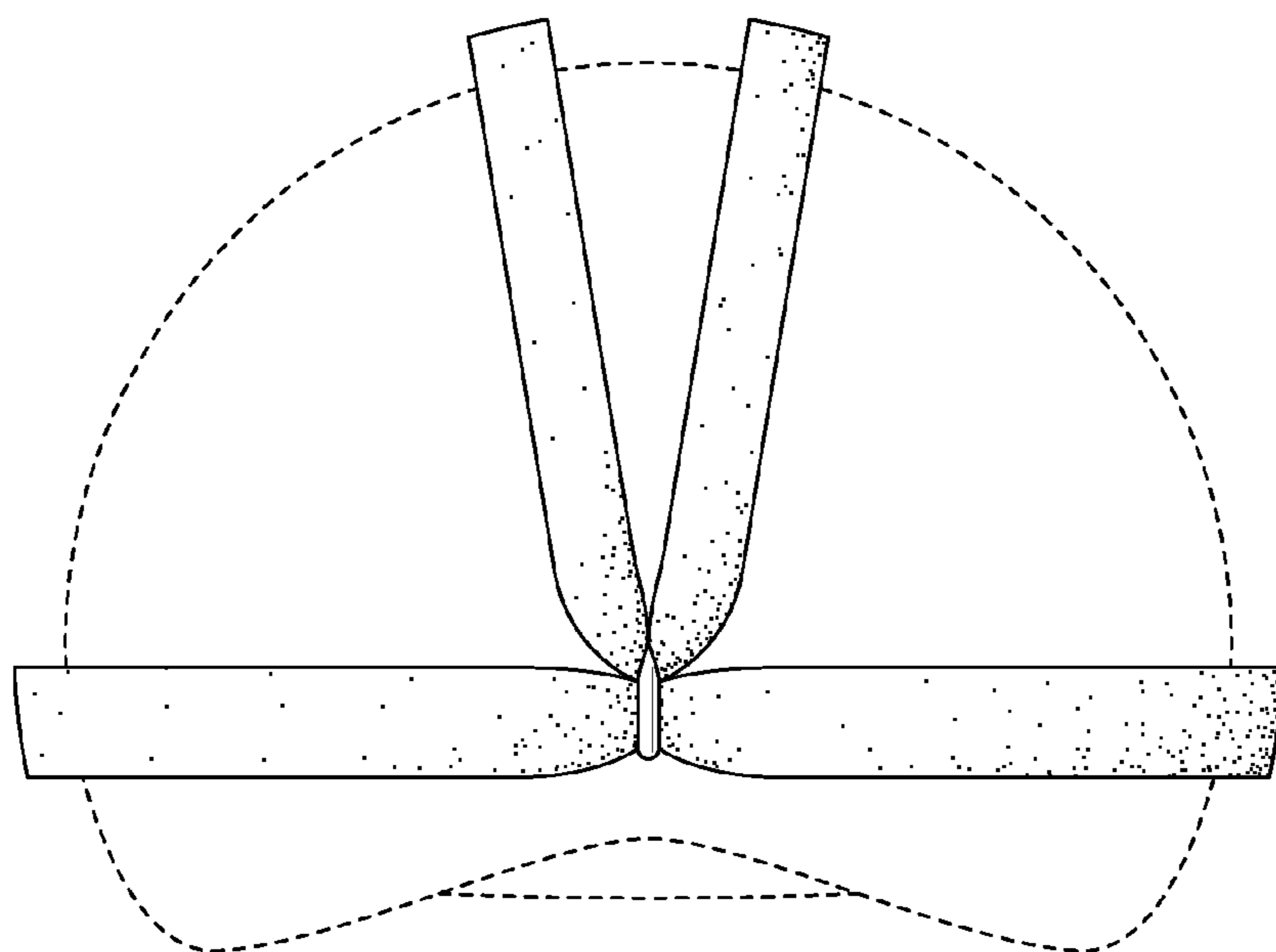


FIG. 2

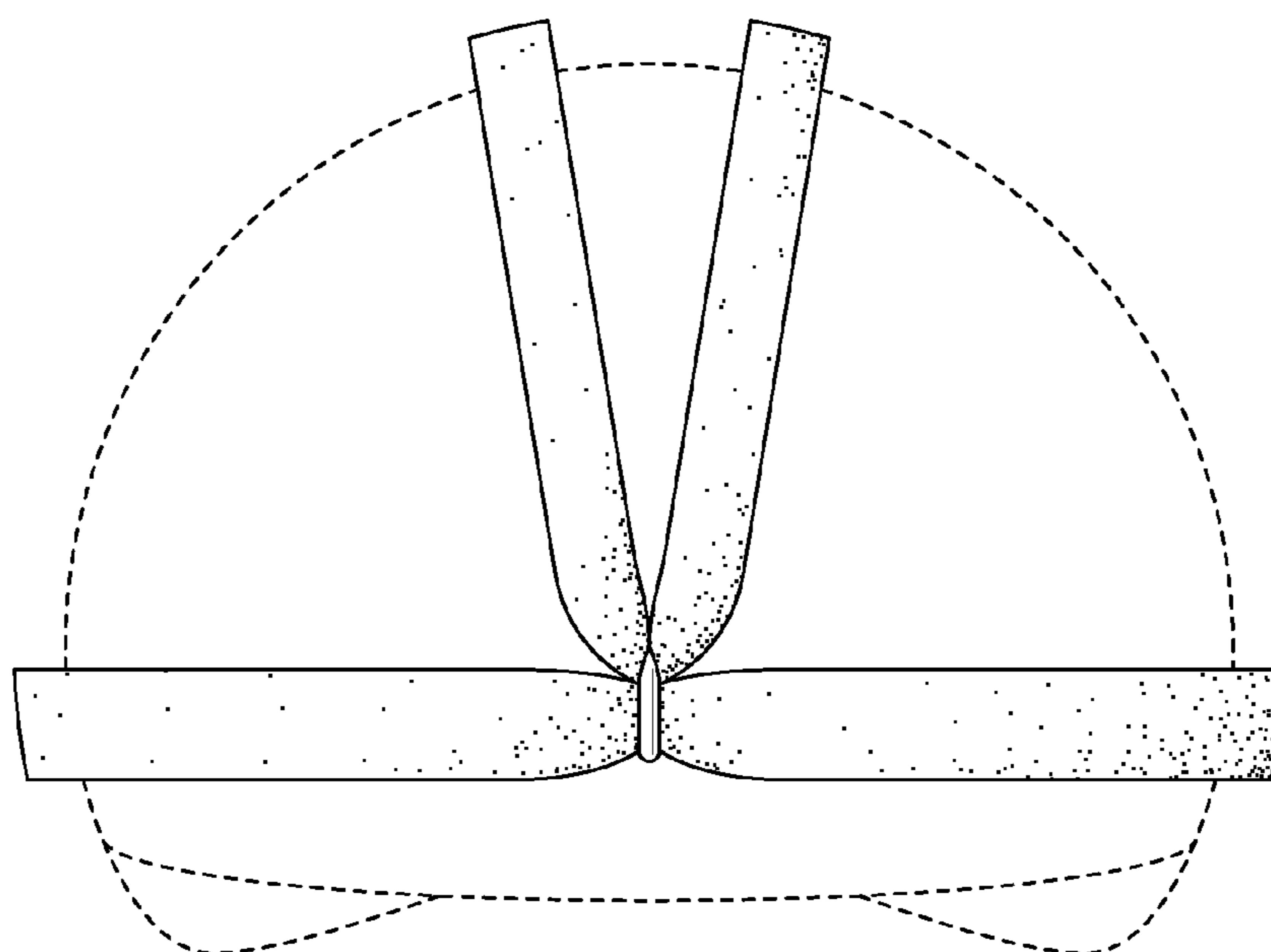


FIG. 3

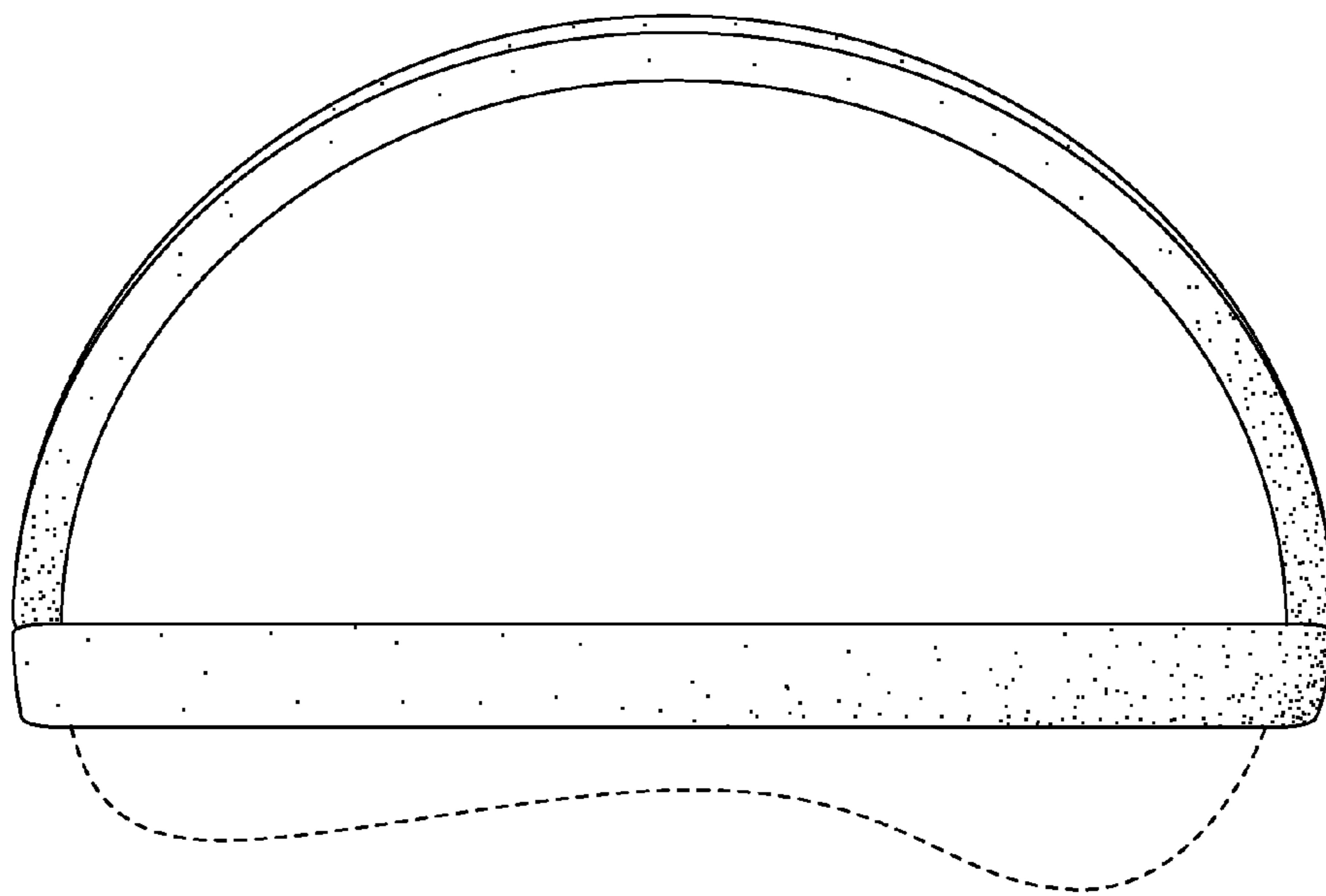


FIG. 4

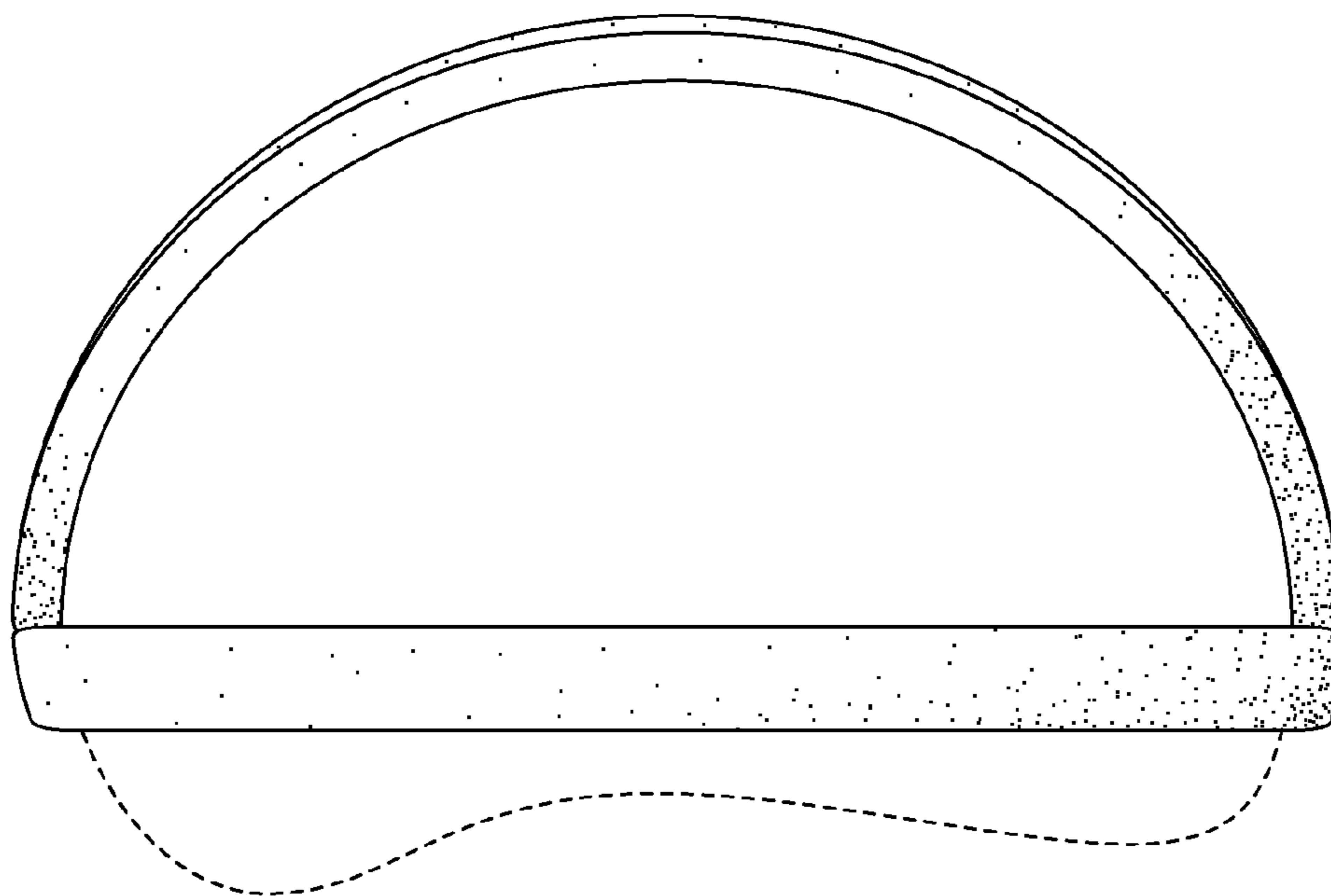


FIG. 5

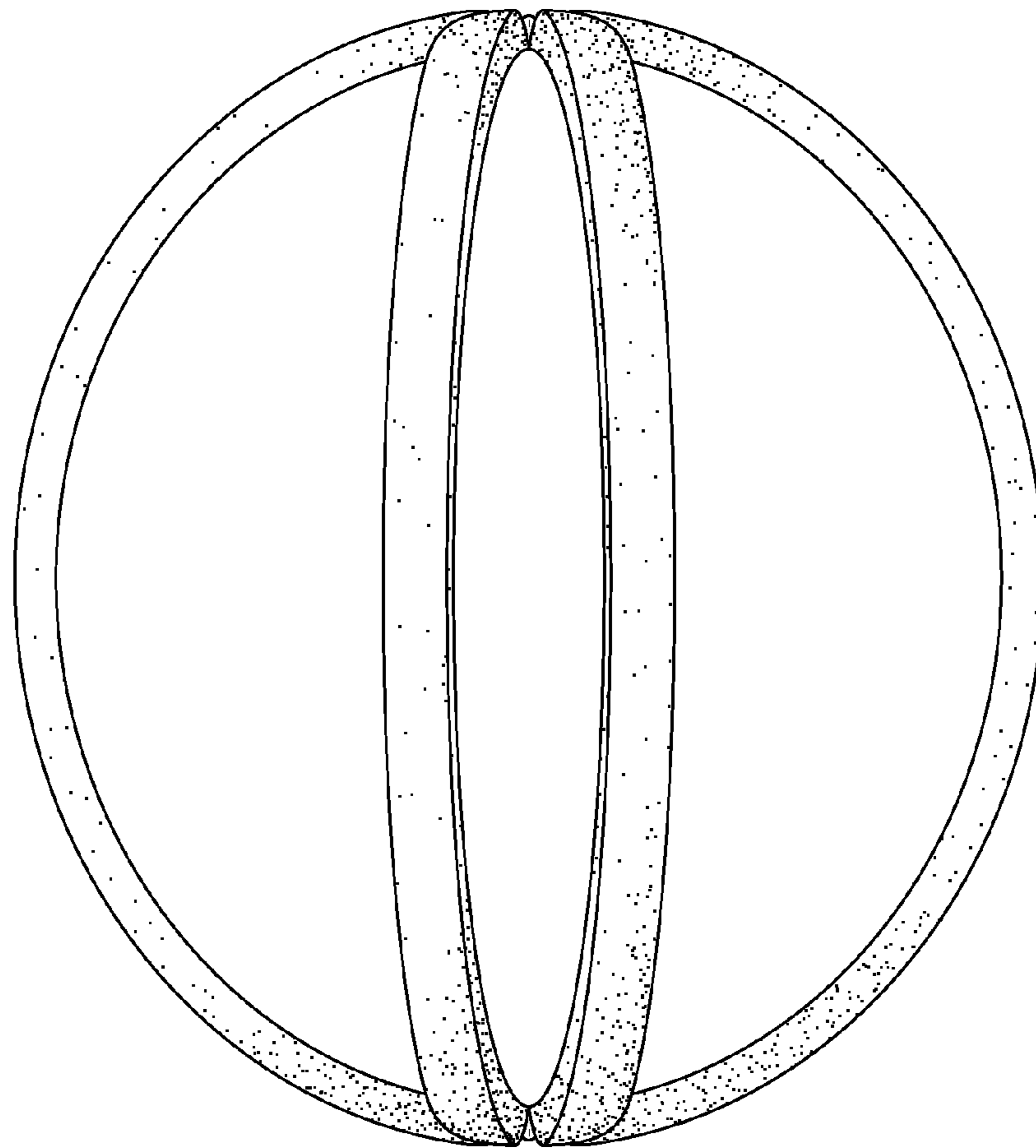


FIG. 6

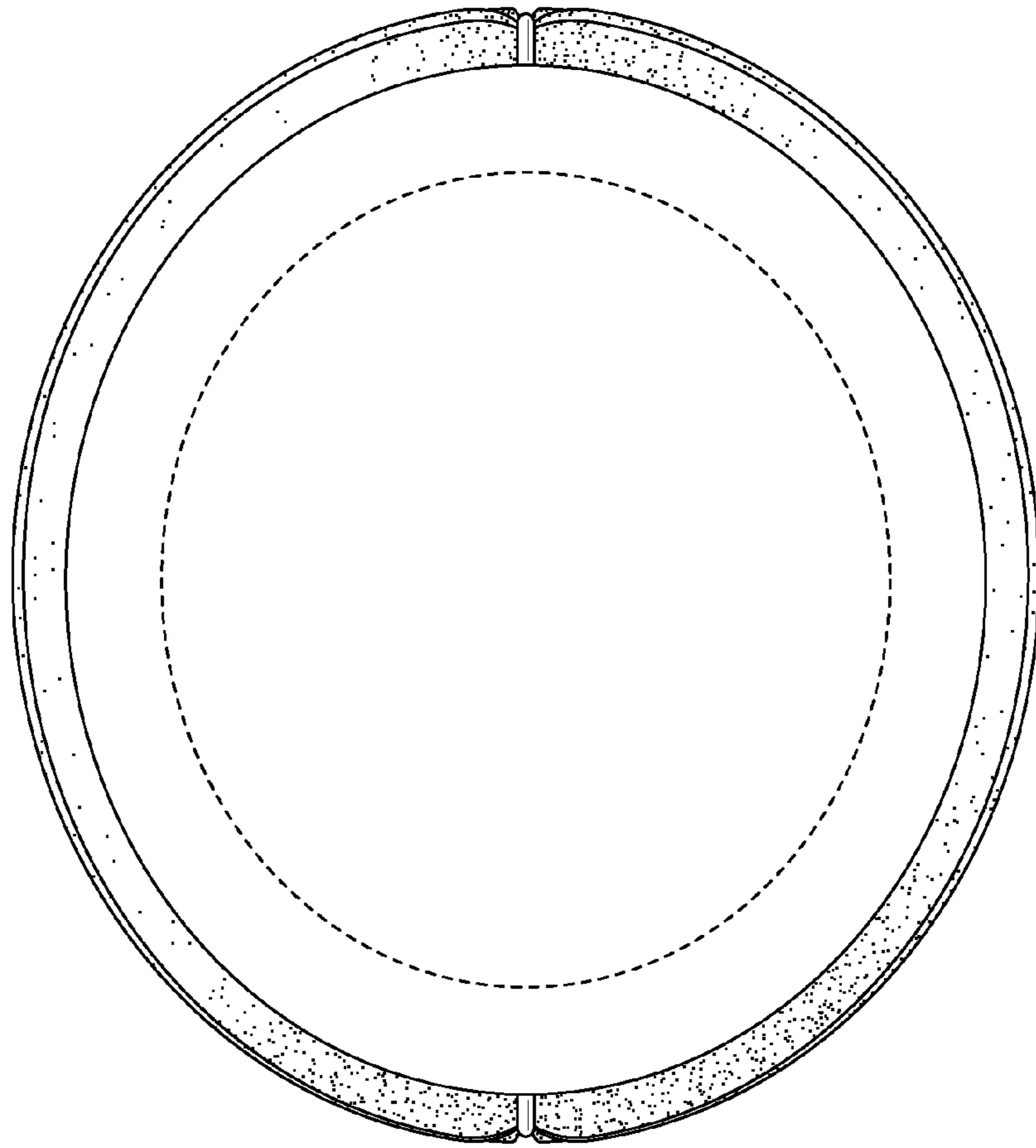


FIG. 7