



US00D697271S

(12) **United States Design Patent**
Sun et al.

(10) **Patent No.:** **US D697,271 S**
(45) **Date of Patent:** **** Jan. 7, 2014**

(54) **FACE MASK**

(75) Inventors: **Clay Sun**, Shanghai (CN); **Yajun Edwin Zhang**, Shanghai (CN); **Eric Xia**, Shanghai (CN); **Zhao Xia Jin**, Shanghai (CN); **Pete Madson**, Shanghai (CN)

(73) Assignee: **Honeywell International Inc.**, Morristown, NJ (US)

(**) Term: **14 Years**

(21) Appl. No.: **29/413,803**

(22) Filed: **Feb. 21, 2012**

(51) **LOC (10) Cl.** **29-02**

(52) **U.S. Cl.**
USPC **D29/108**

(58) **Field of Classification Search**
USPC D29/100, 102, 105, 106, 107, 108, 110, D29/122; D2/865, 878, 891, 892; D24/110.1, 110.2, 110.3, 110.4, 110.5, D24/110.6; 2/455, 456, 410, 423, 424, 425, 2/9, 171, 173, 206, 906; 128/857, 858, 128/200.24, 201.22, 201.23, 201.24, 128/201.25, 206.21

See application file for complete search history.

(56) **References Cited**

U.S. PATENT DOCUMENTS

3,768,100	A *	10/1973	Colman et al.	2/9
5,420,649	A	5/1995	Lewis	
5,584,125	A	12/1996	Prete	
6,158,859	A	12/2000	Suiter	
6,381,749	B1 *	5/2002	Cyr	2/9
6,675,800	B2	1/2004	Keller	
D526,094	S *	8/2006	Chen	D29/108
D555,290	S *	11/2007	Wright et al.	D29/108
D564,135	S *	3/2008	Cherry et al.	D29/108
D596,803	S *	7/2009	Broersma	D29/107
D596,804	S *	7/2009	Broersma	D29/108
D624,705	S *	9/2010	Wright	D29/108

7,827,038	B2	11/2010	Richard et al.	
D630,383	S *	1/2011	Broersma	D29/110
D657,918	S *	4/2012	Lee	D29/110
D666,364	S *	8/2012	Votel et al.	D29/108
D671,688	S *	11/2012	Sullivan, II	D29/108
2006/0023228	A1	2/2006	Geng	
2009/0113607	A1 *	5/2009	Lian	2/427
2010/0239625	A1	9/2010	Puckett et al.	

* cited by examiner

Primary Examiner — Elizabeth J Oswecki

(74) *Attorney, Agent, or Firm* — Kristin Jordan Harkins; Conley Rose, P.C.

(57) **CLAIM**

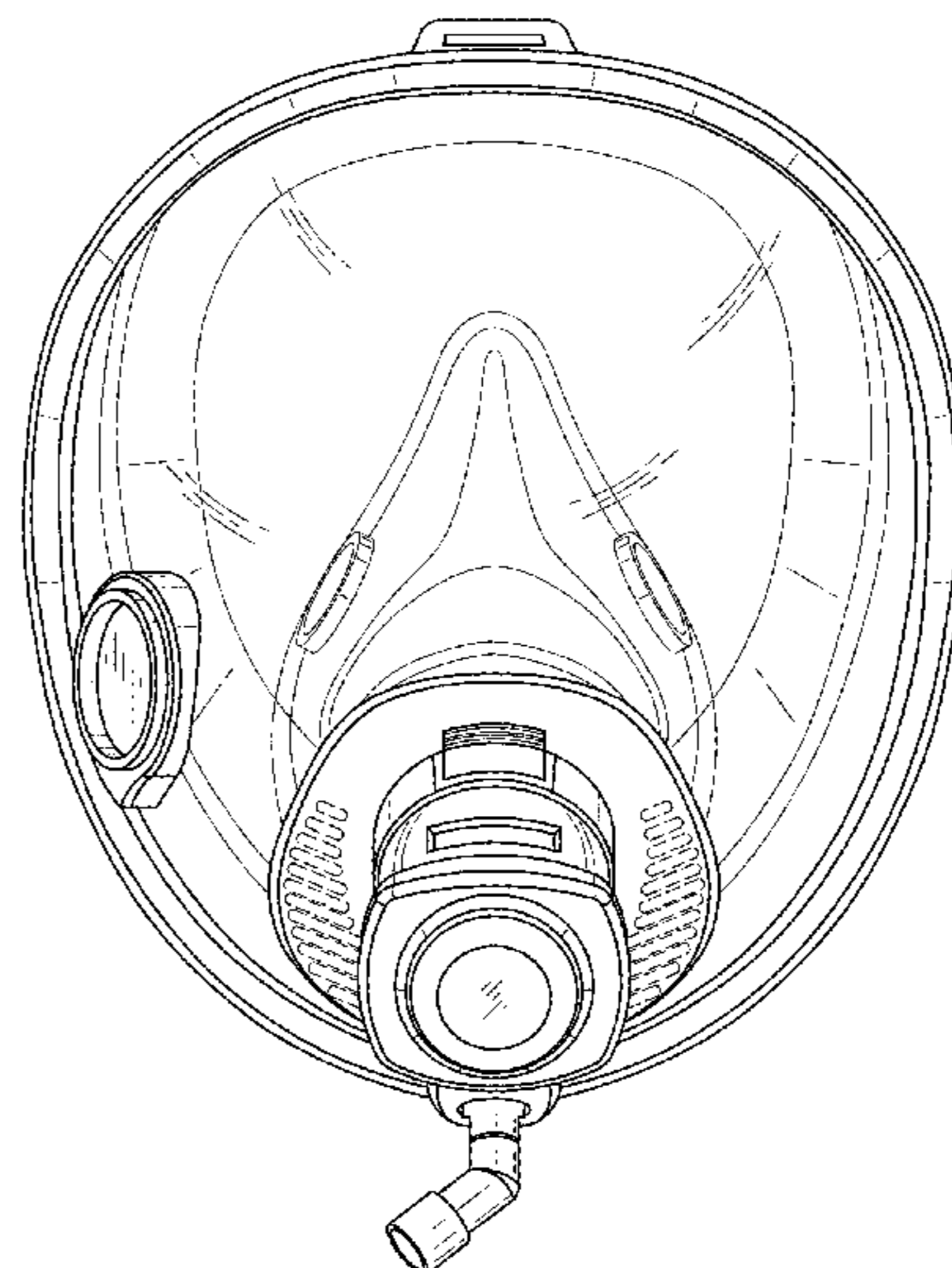
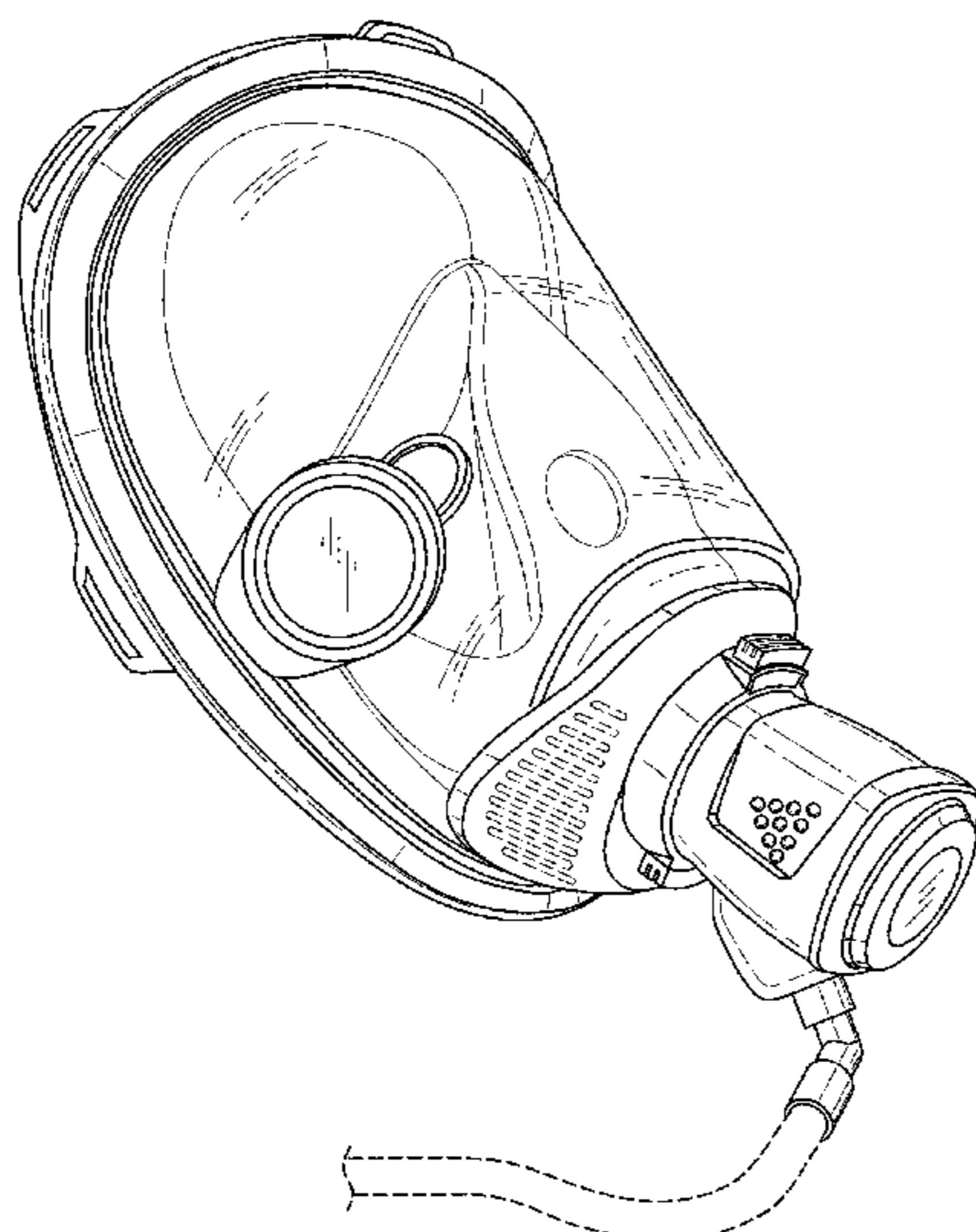
The ornamental design for a face mask, as shown and described.

DESCRIPTION

FIG. 1 is a front perspective view of a face mask showing our new design;
 FIG. 2 is a front elevation view thereof;
 FIG. 3 is a rear elevation view thereof;
 FIG. 4 is a side elevation view thereof;
 FIG. 5 is an opposite side elevation view of FIG. 4;
 FIG. 6 is a top view thereof;
 FIG. 7 is a bottom view thereof;
 FIG. 8 is a front perspective view thereof with the air valve removed for ease of illustration;
 FIG. 9 is a front elevation view thereof with the air valve removed for ease of illustration;
 FIG. 10 is a side elevation view thereof with air valve removed for ease of illustration;
 FIG. 11 is an exploded side elevation view of FIG. 4, showing the inner mask removed from the outer mask; and,
 FIG. 12 is an exploded top view of FIG. 6, showing the inner mask removed from the outer mask.

The broken lines shown in the drawings are only provided to illustrate the environment of the design, and form no part of the claimed design.

1 Claim, 12 Drawing Sheets



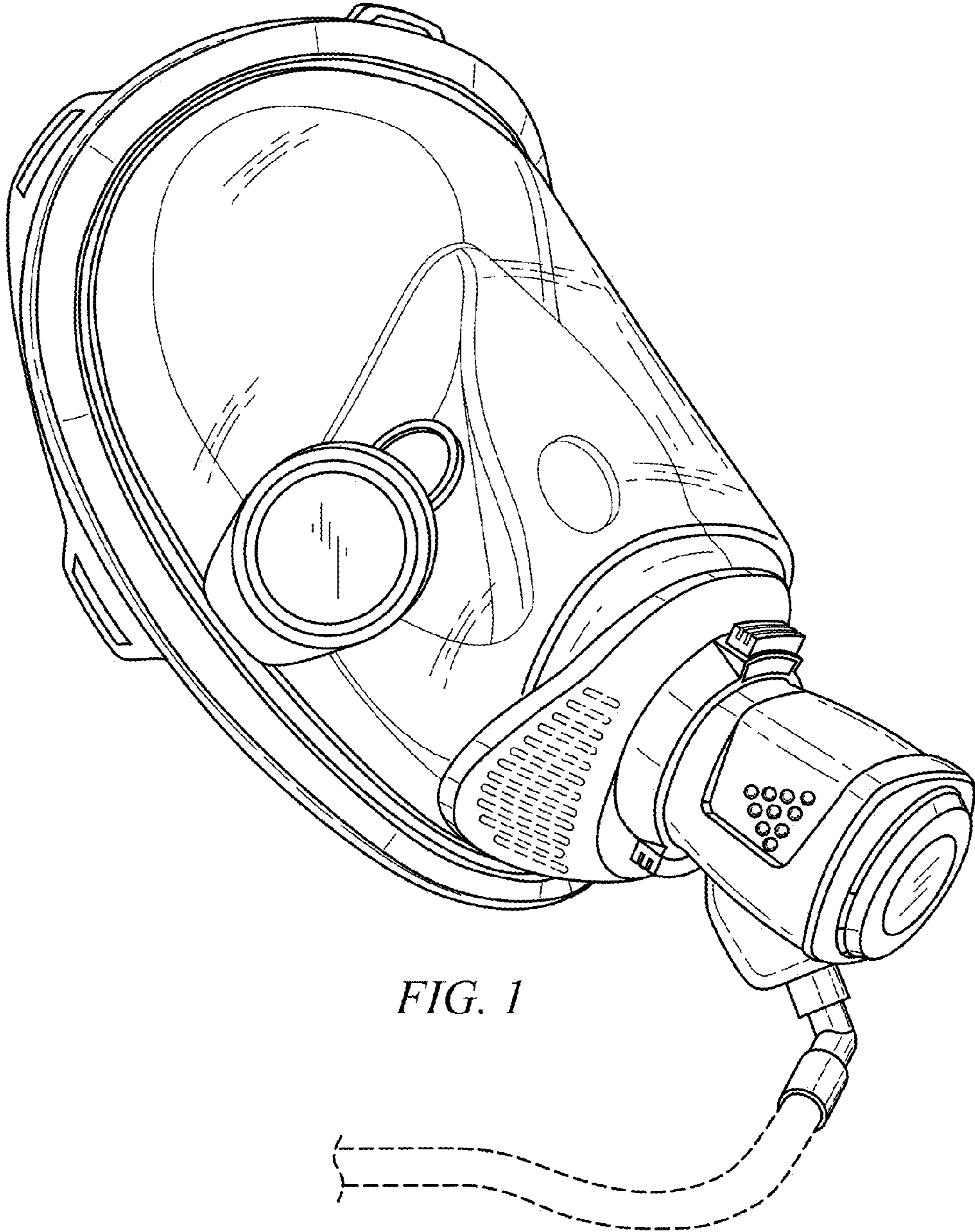


FIG. 1

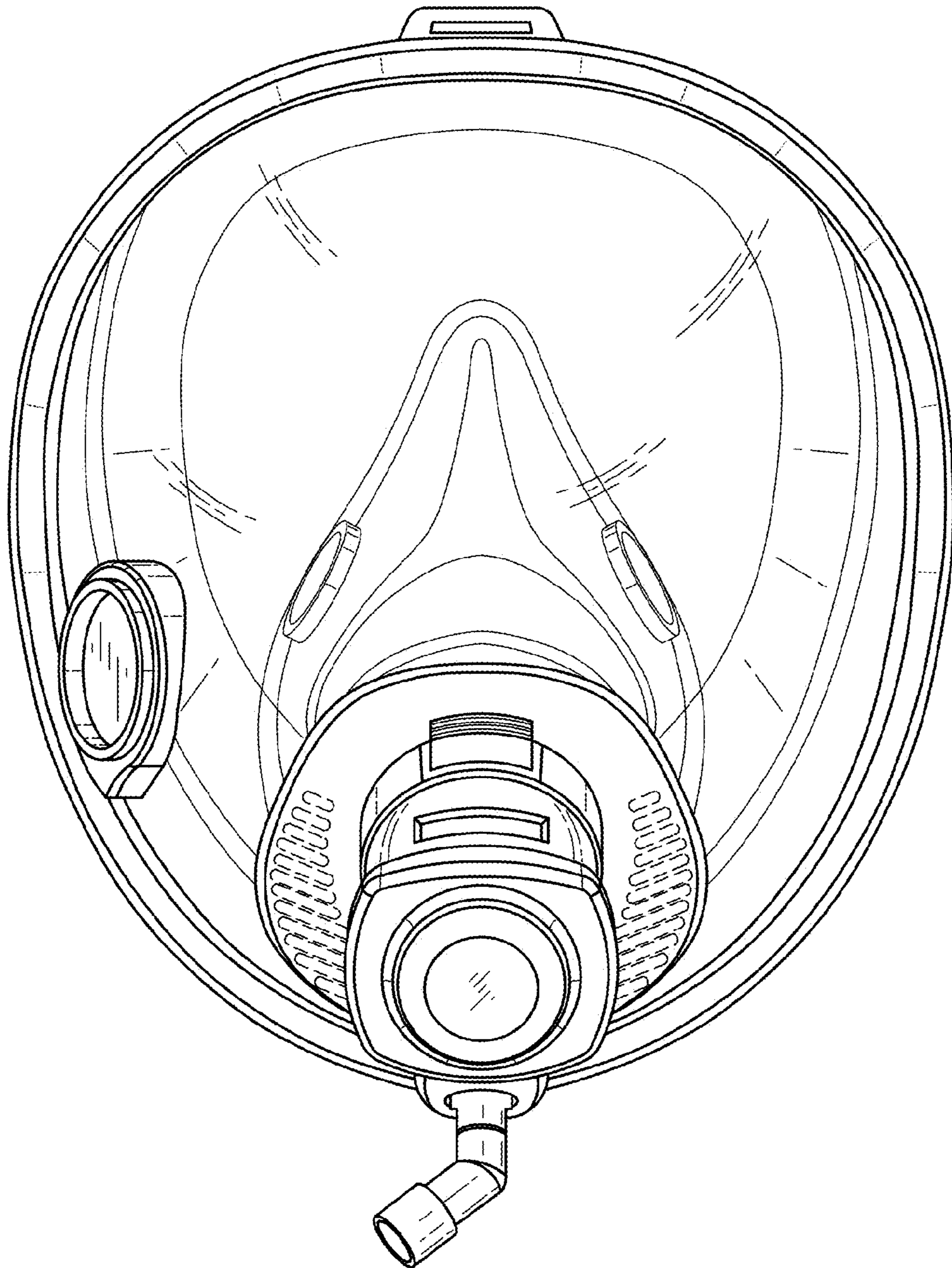


FIG. 2

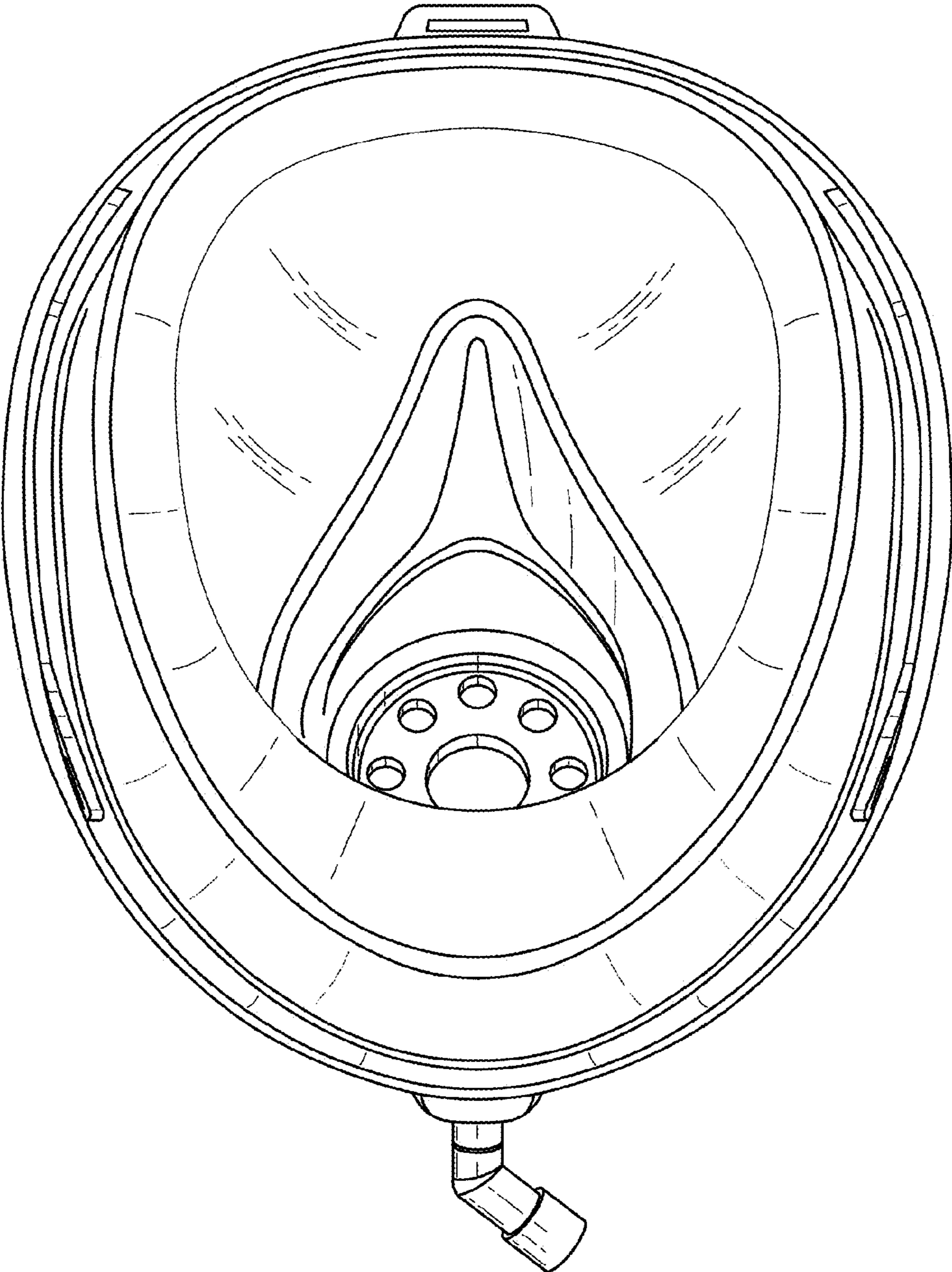


FIG. 3

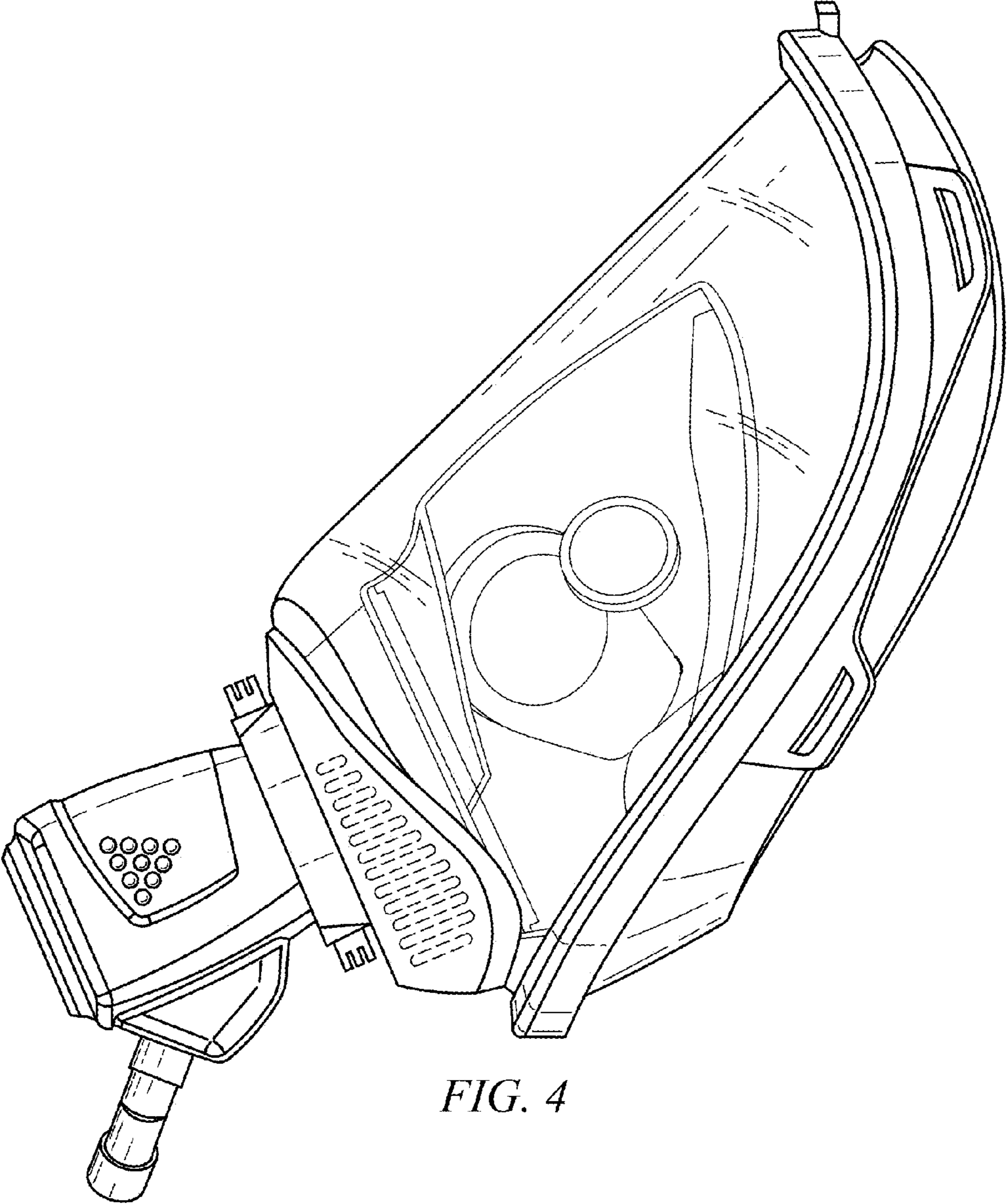


FIG. 4

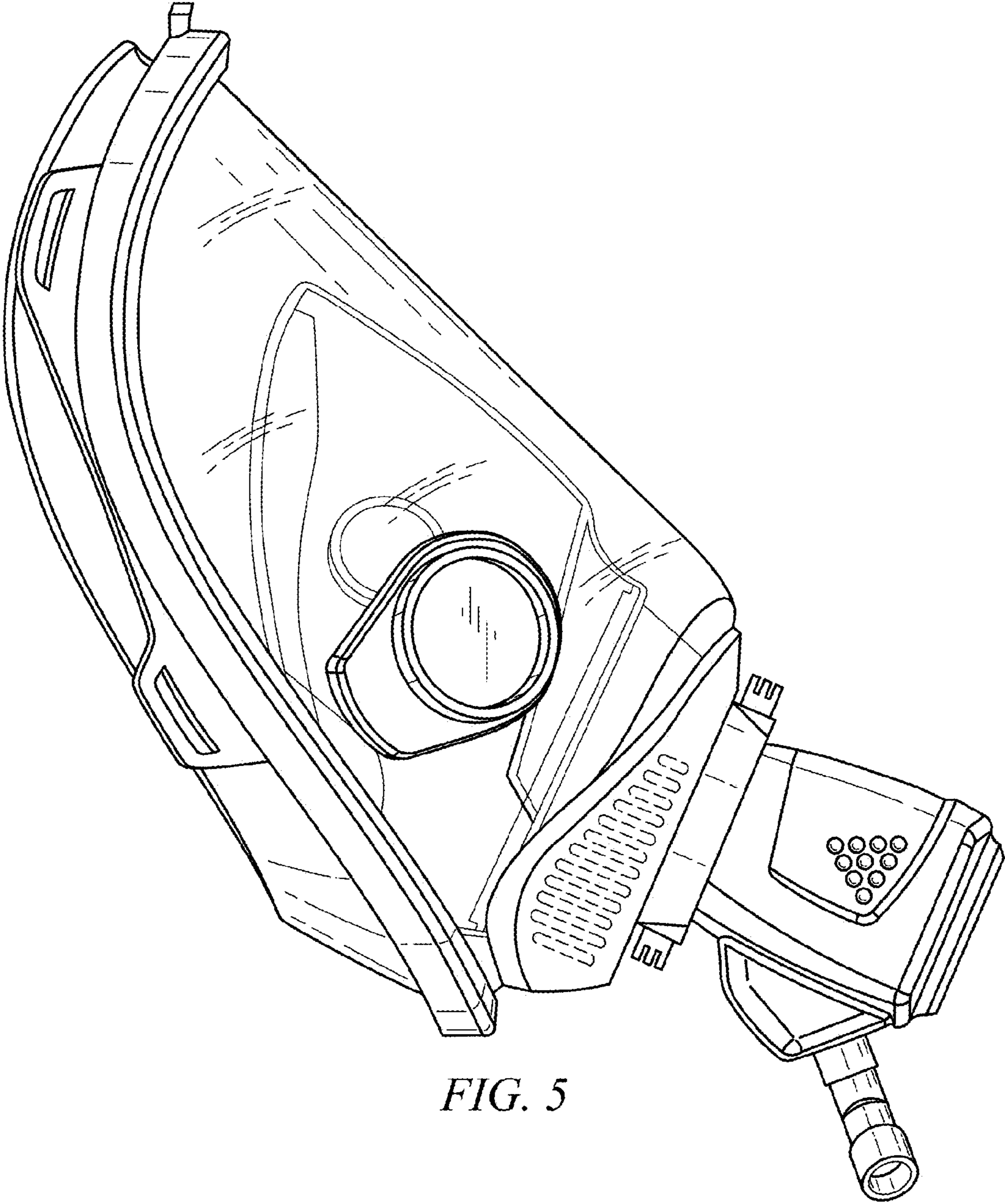


FIG. 5

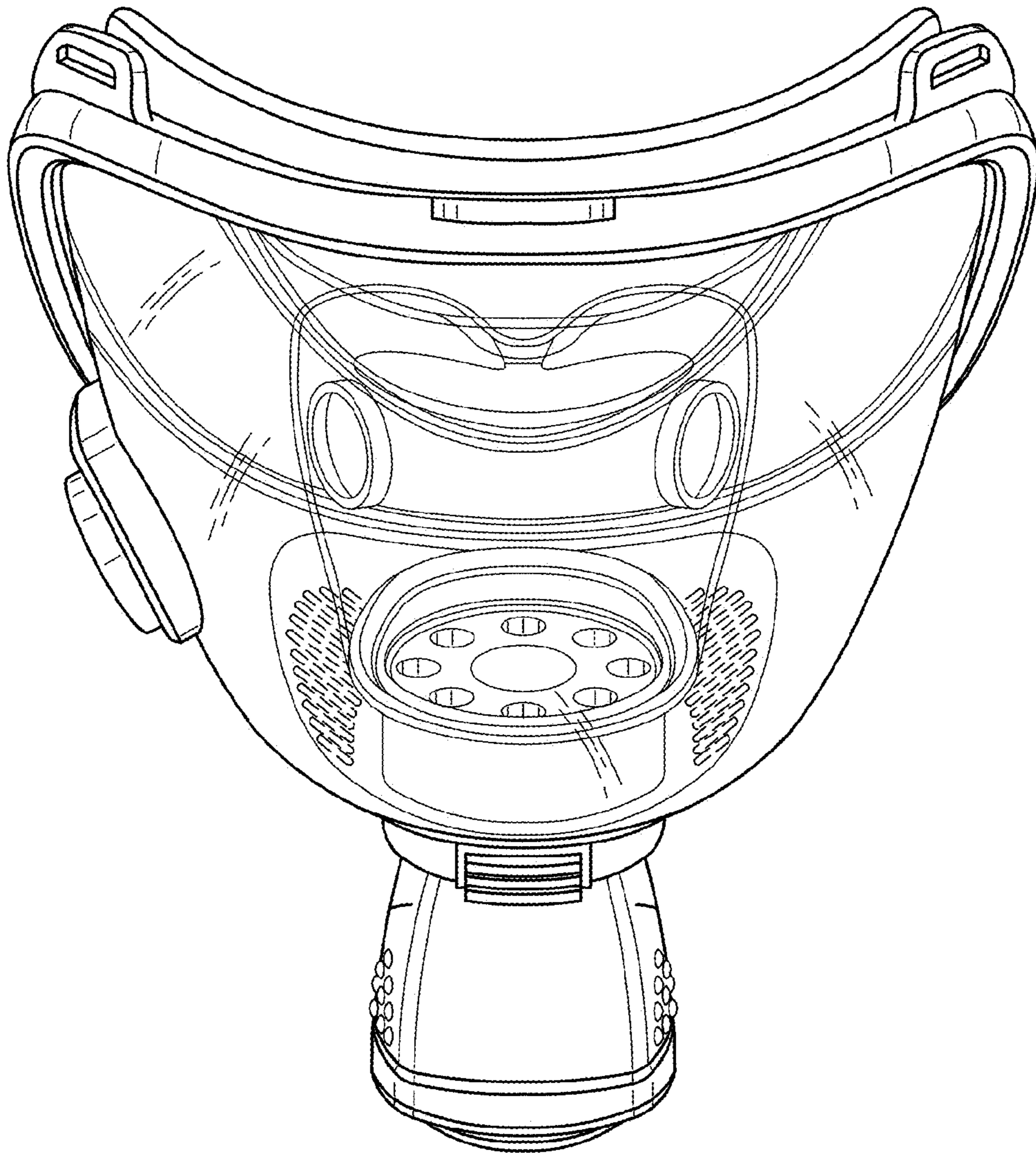


FIG. 6

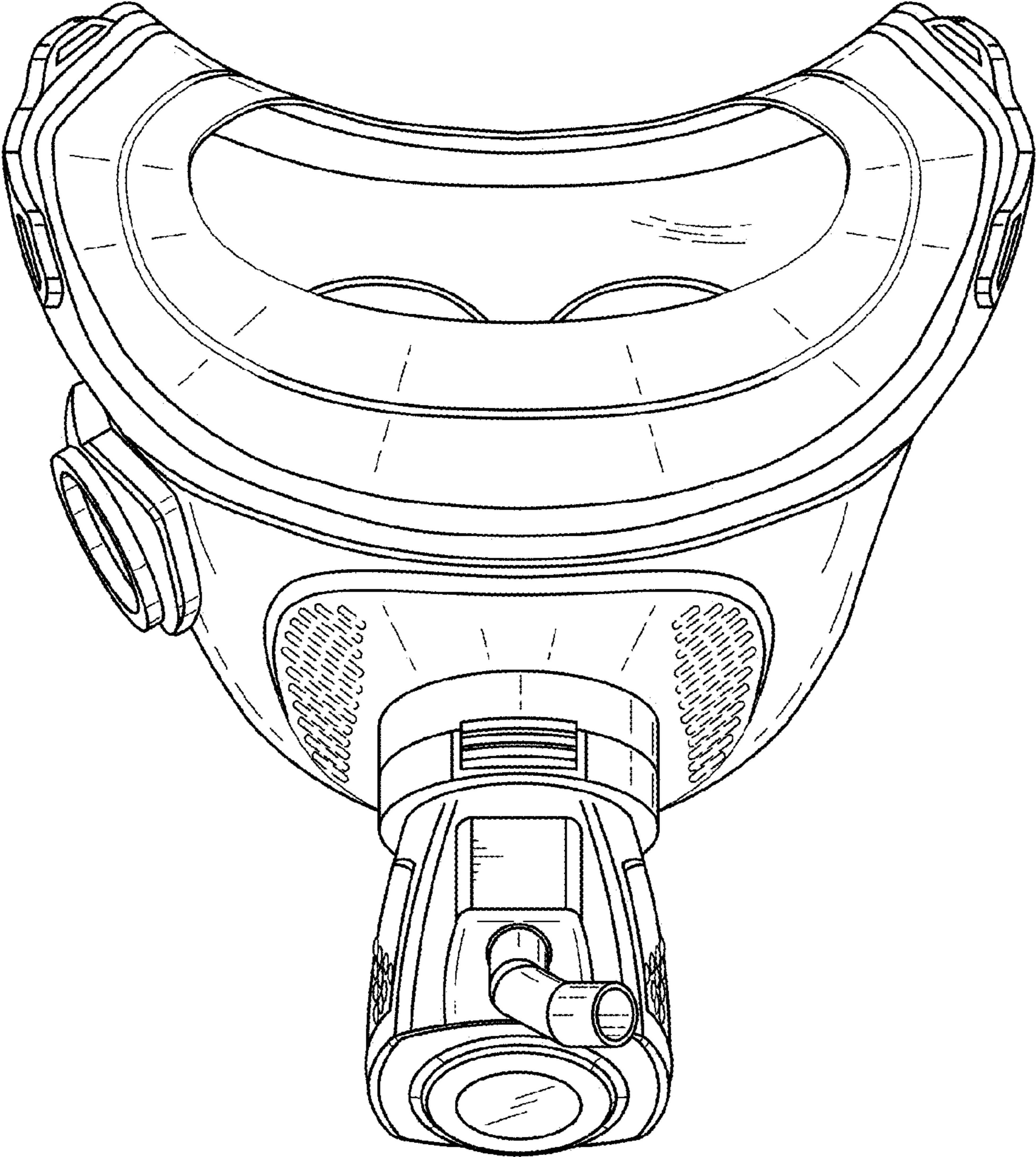


FIG. 7

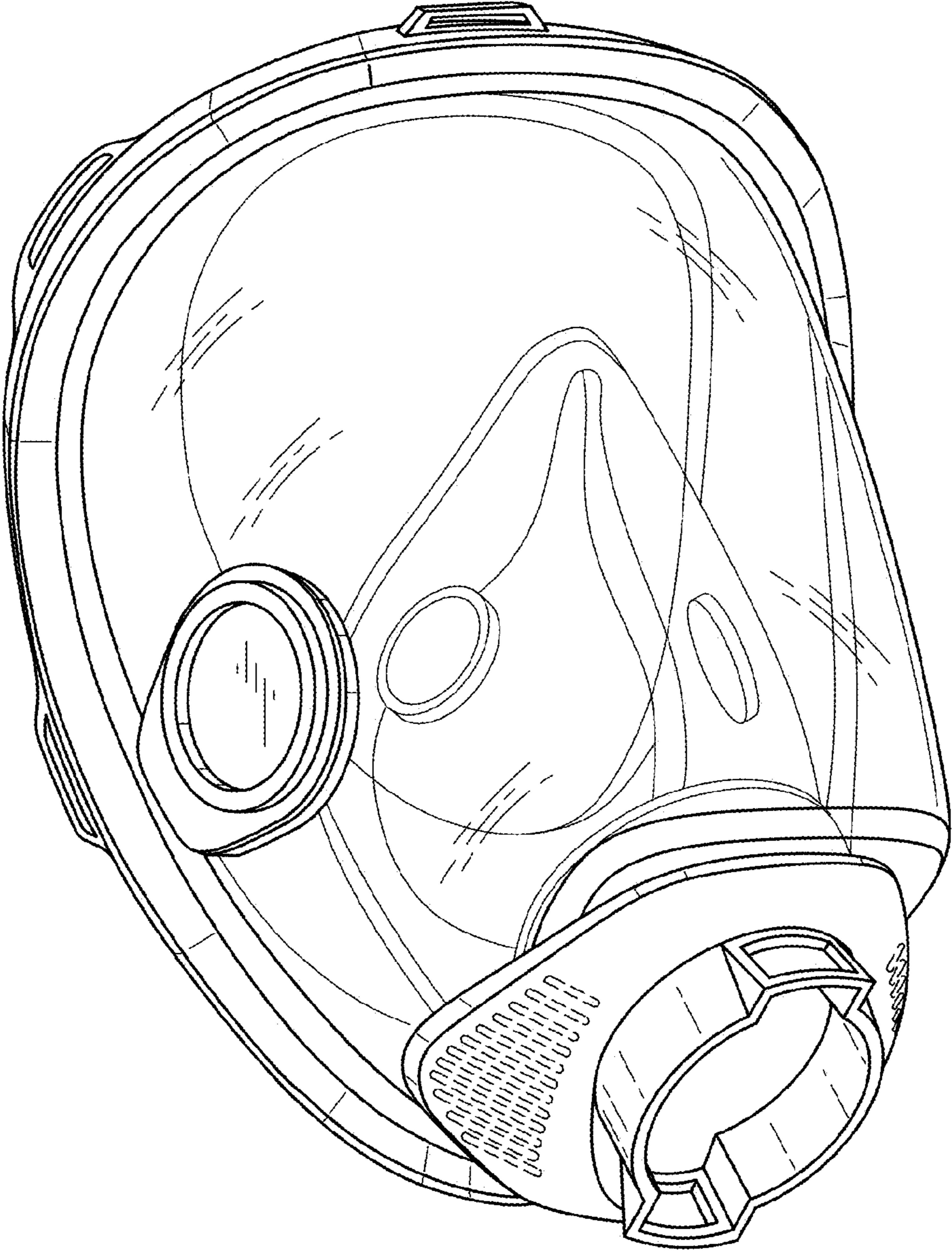


FIG. 8

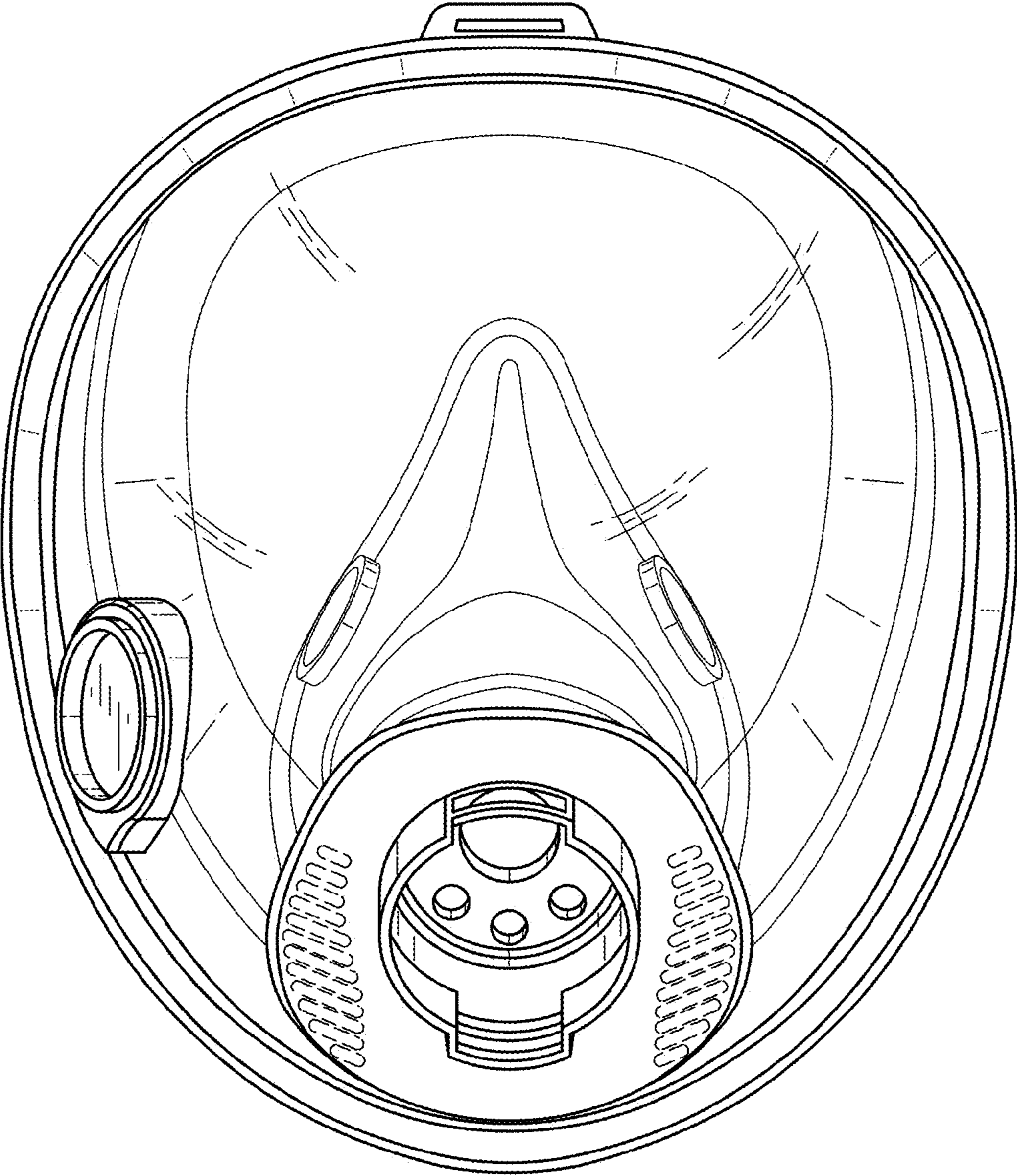


FIG. 9

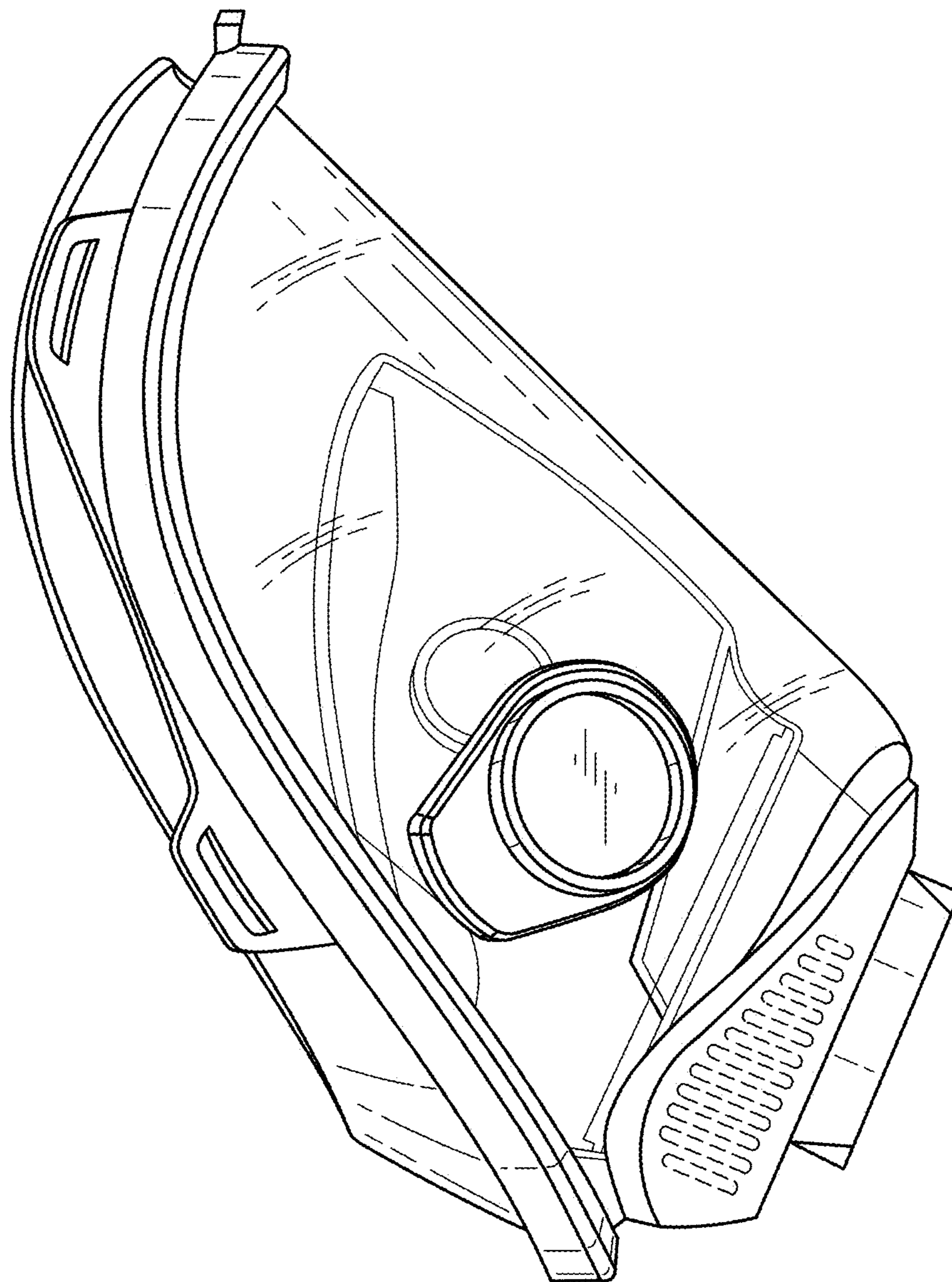


FIG. 10

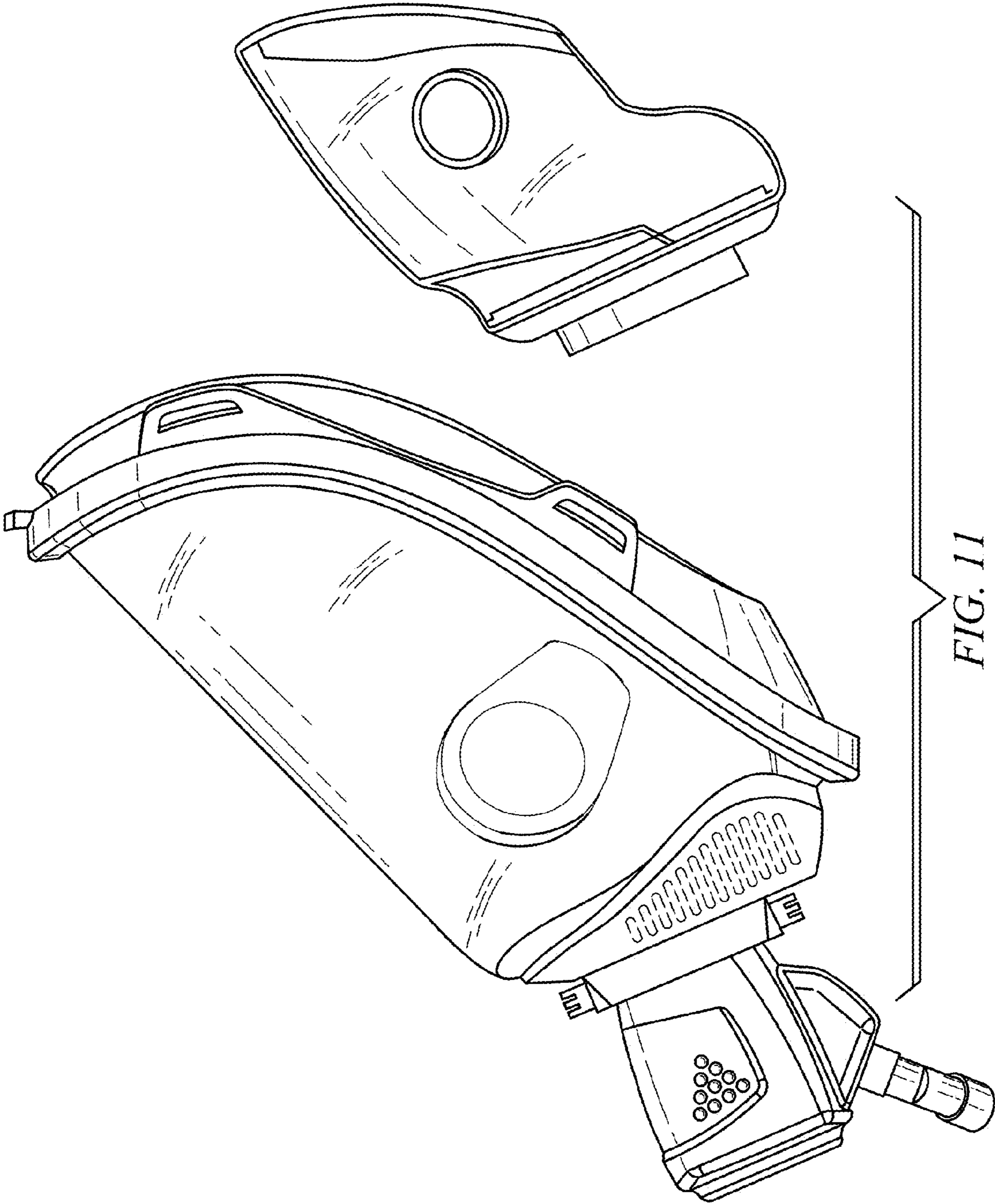


FIG. 11

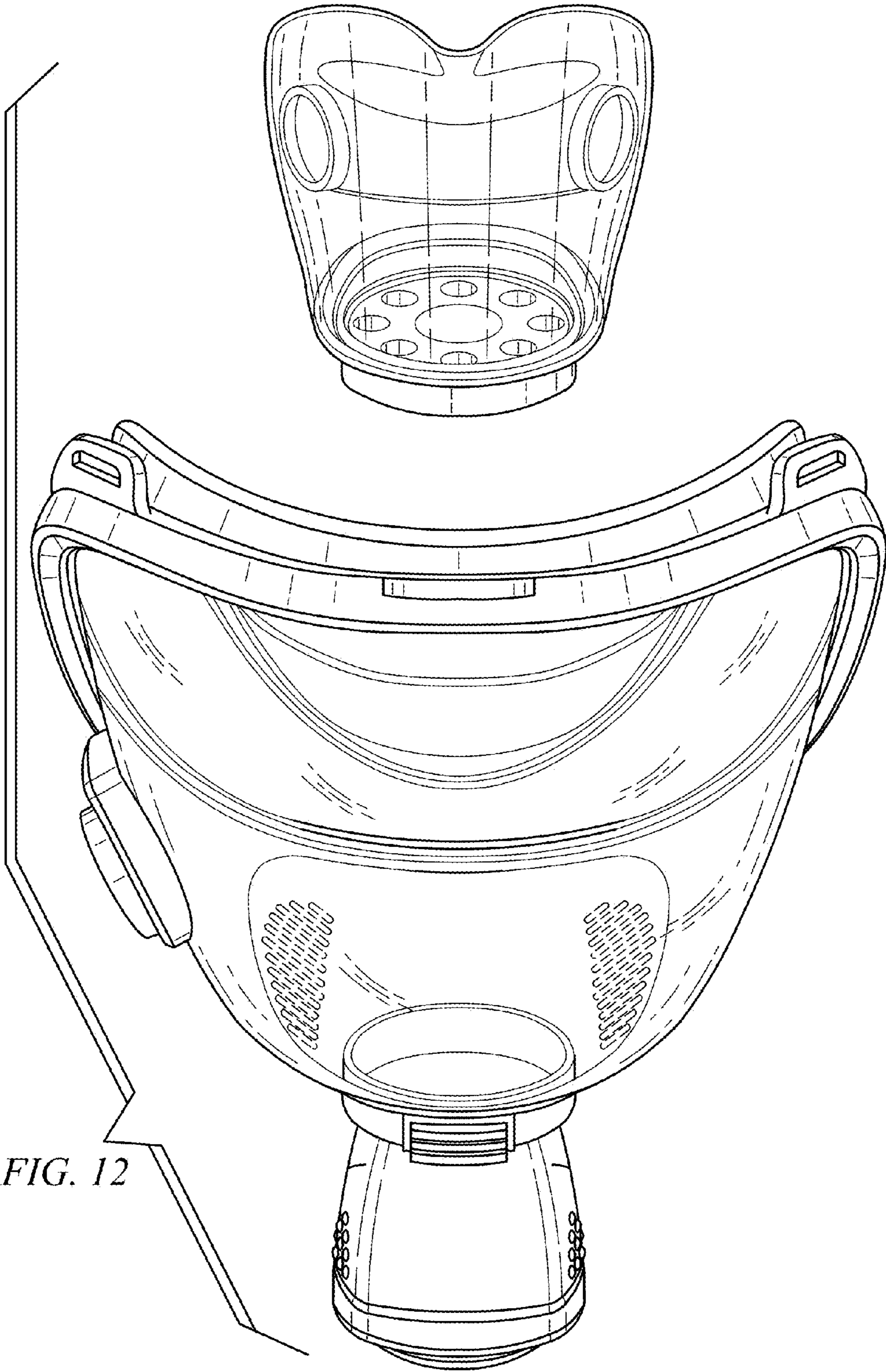


FIG. 12