



US00D697265S

(12) **United States Design Patent**  
**Bergese**

(10) **Patent No.:** **US D697,265 S**  
(45) **Date of Patent:** **\*\* Jan. 7, 2014**

(54) **ELECTRIC HAIR CLIPPER**

FOREIGN PATENT DOCUMENTS

(71) Applicant: **Panasonic Corporation**, Kadoma (JP)

JP D1126330 S 11/2001  
JP D1451949 S 10/2012

(72) Inventor: **Enrico Bergese**, Shiga (JP)

\* cited by examiner

(73) Assignee: **Panasonic Corporation**, Osaka (JP)

*Primary Examiner* — Jennifer Rivard

(\*\*) Term: **14 Years**

(74) *Attorney, Agent, or Firm* — Brinks Gilson & Lione

(21) Appl. No.: **29/444,225**

(22) Filed: **Jan. 28, 2013**

(51) **LOC (10) Cl.** ..... **28-03**

(52) **U.S. Cl.**

USPC ..... **D28/53**

(58) **Field of Classification Search**

USPC ..... D28/49-54, 44-48; 30/34.05, 32, 34.1,  
30/34.2, 43-43.92, 526-527, 44-45, 341,  
30/272.1, 226-227, 231, 233-233.5, 537,  
30/539-540

See application file for complete search history.

(56) **References Cited**

U.S. PATENT DOCUMENTS

|            |   |         |                 |       |        |
|------------|---|---------|-----------------|-------|--------|
| D512,185 S | * | 11/2005 | Bokelman-Dumas  | ..... | D28/53 |
| D517,242 S | * | 3/2006  | Goetschi et al. | ..... | D28/53 |
| D519,680 S | * | 4/2006  | Dingelstad      | ..... | D28/53 |
| D521,684 S | * | 5/2006  | Izumi et al.    | ..... | D28/53 |
| D602,201 S | * | 10/2009 | Seiffert        | ..... | D28/53 |
| D622,446 S | * | 8/2010  | Hagenauer       | ..... | D28/53 |
| D637,760 S | * | 5/2011  | Tasar           |       |        |
| D651,747 S | * | 1/2012  | Nitsch et al.   | ..... | D28/53 |

(57) **CLAIM**

I claim the ornamental design for an electric hair clipper, as shown and described.

**DESCRIPTION**

FIG. 1 is a front perspective view of an electric hair clipper of the present invention;  
FIG. 2 is a rear perspective view thereof;  
FIG. 3 is a front view thereof;  
FIG. 4 is a rear view thereof;  
FIG. 5 is a first side view thereof;  
FIG. 6 is a second side view thereof;  
FIG. 7 is a top view thereof;  
FIG. 8 is a bottom view thereof;  
FIG. 9 is a cross-section view taken along the line 9 of FIG. 3; and,  
FIG. 10 is an enlarged view taken along the line 10 of FIG. 9. The broken lines illustrate portions of the article and form no part of the claimed design.

**1 Claim, 6 Drawing Sheets**

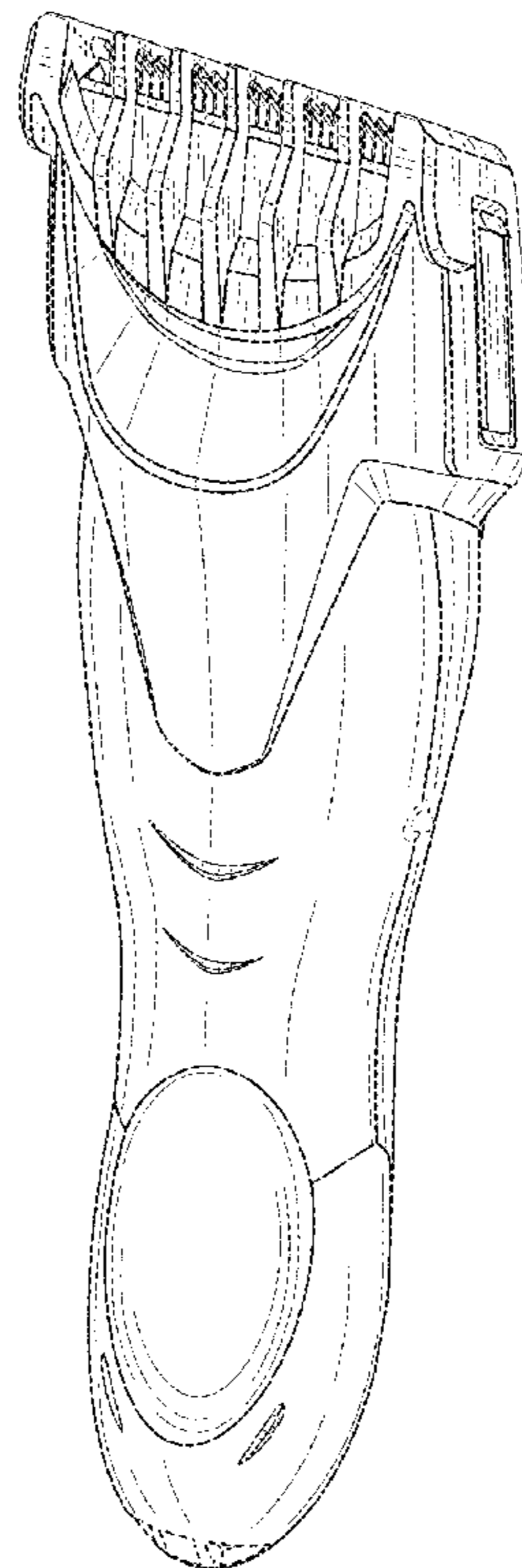
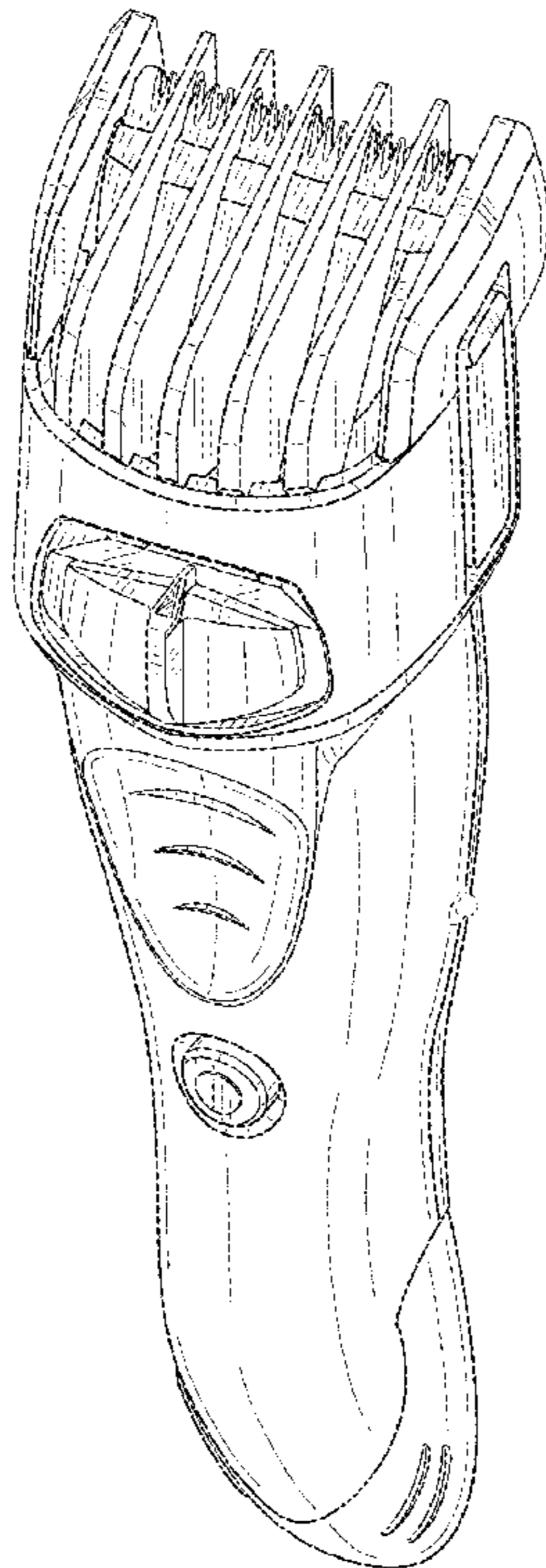


FIG.1

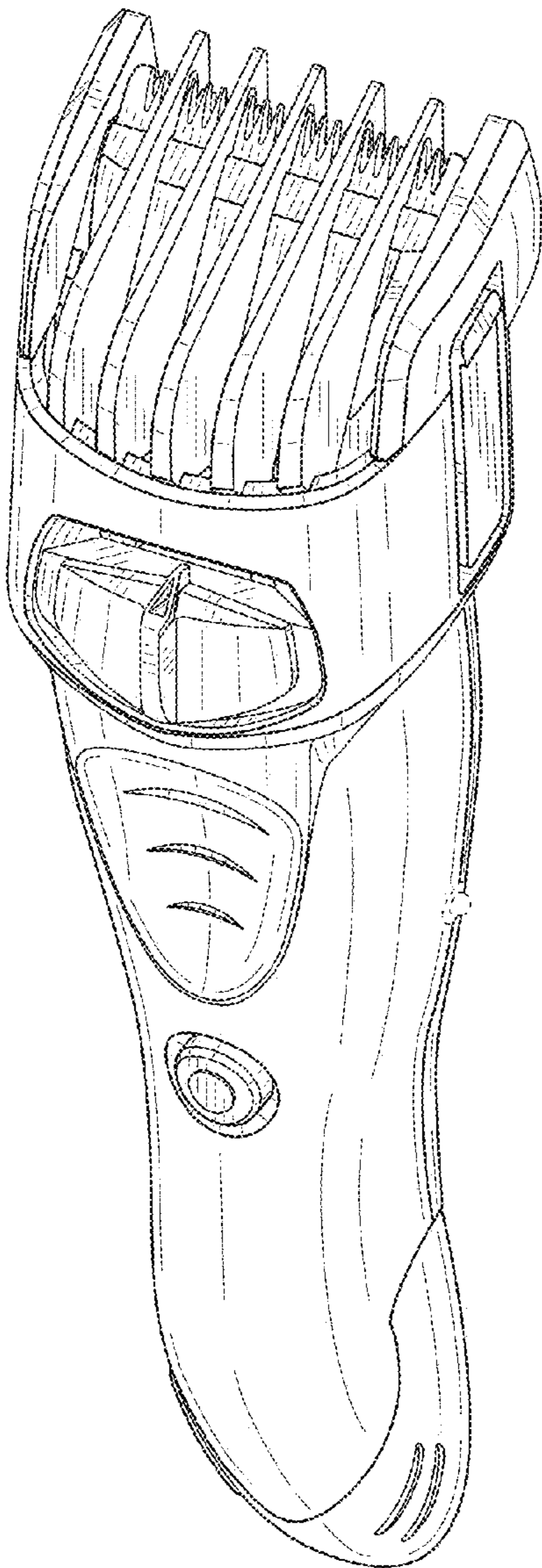


FIG.2

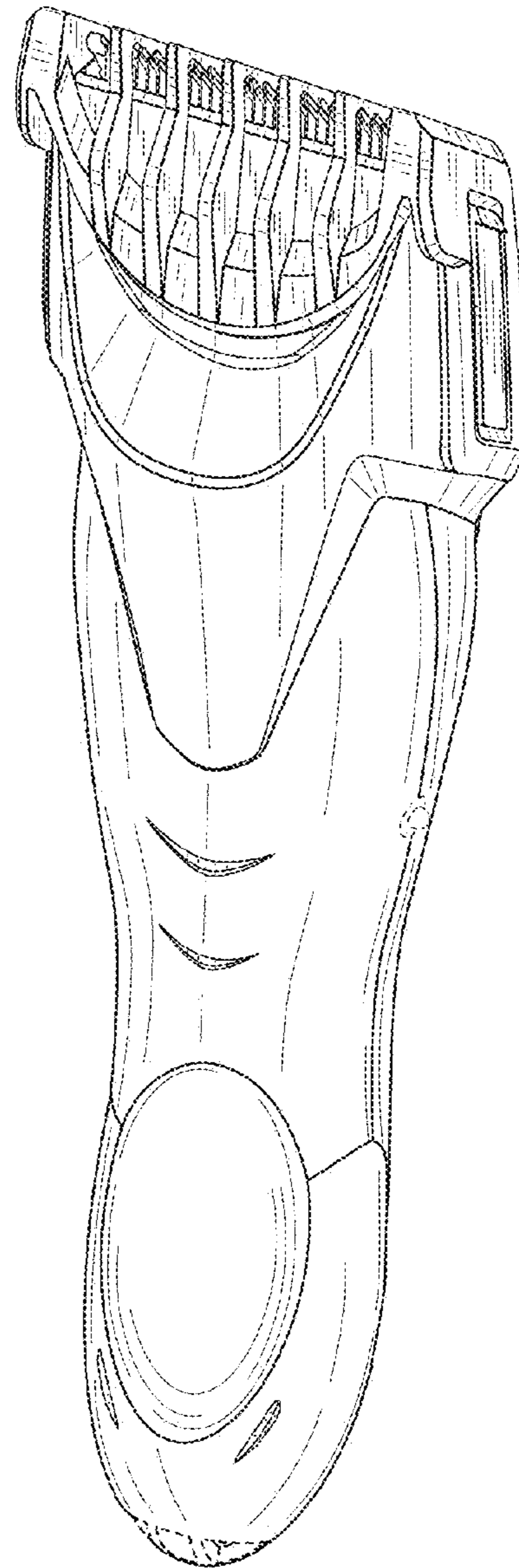


FIG.3

FIG.4

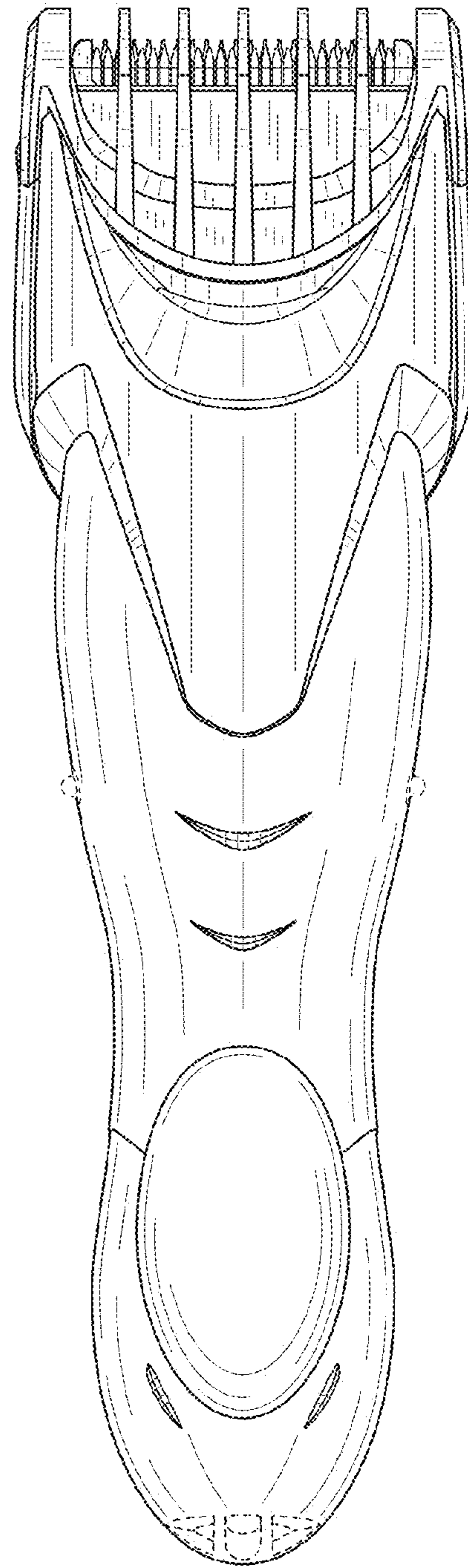
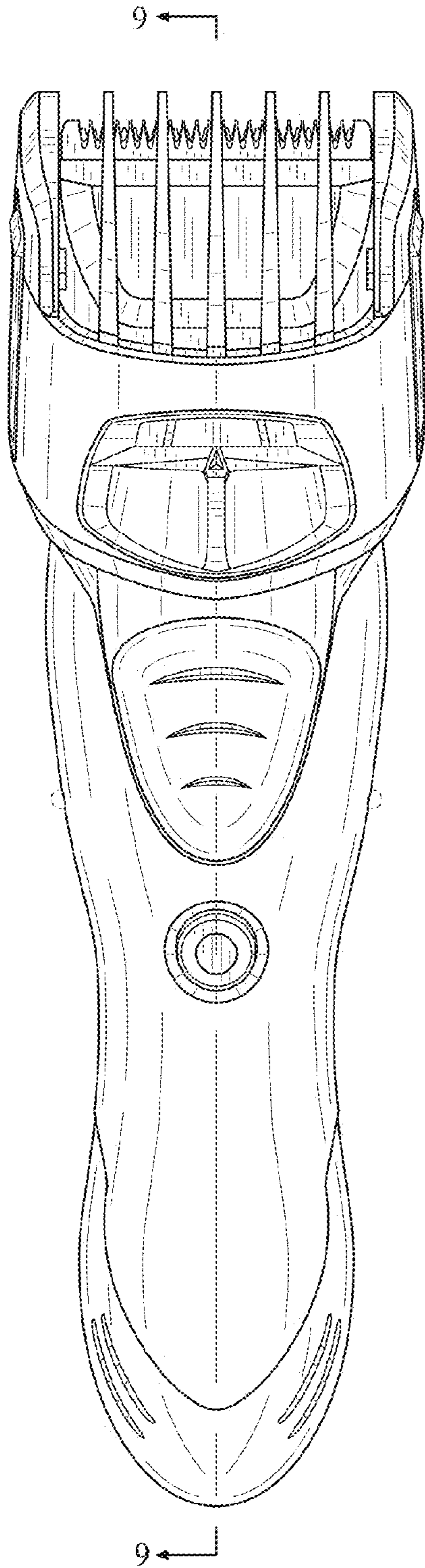


FIG.5

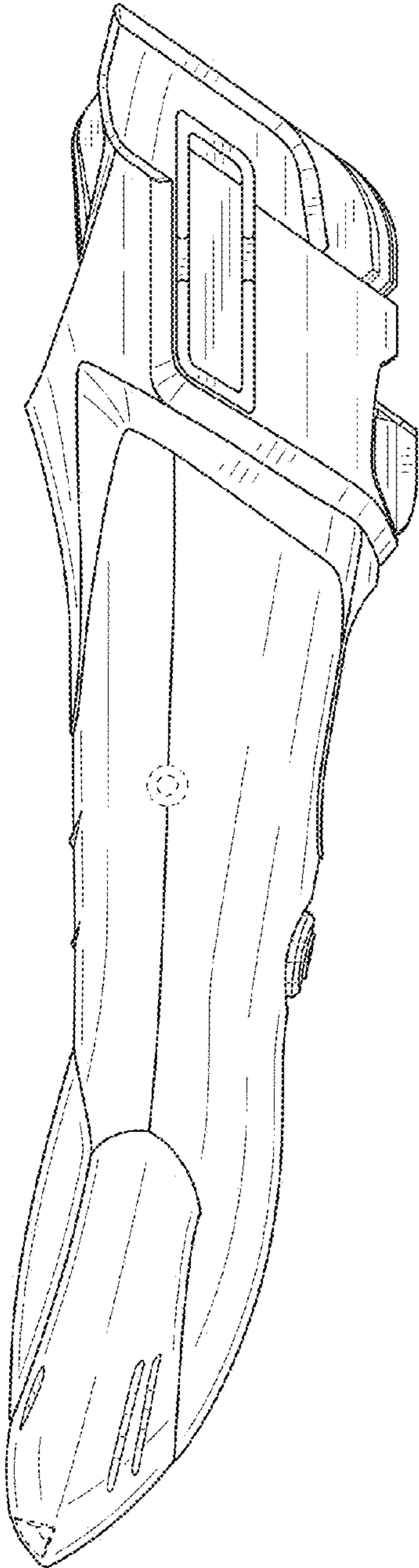


FIG.6

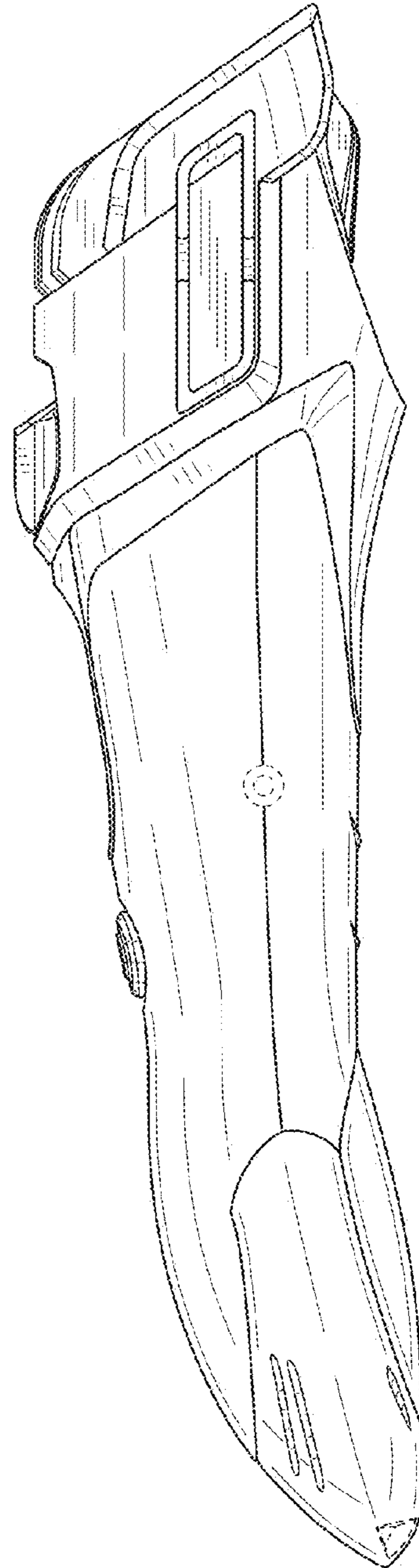


FIG.7

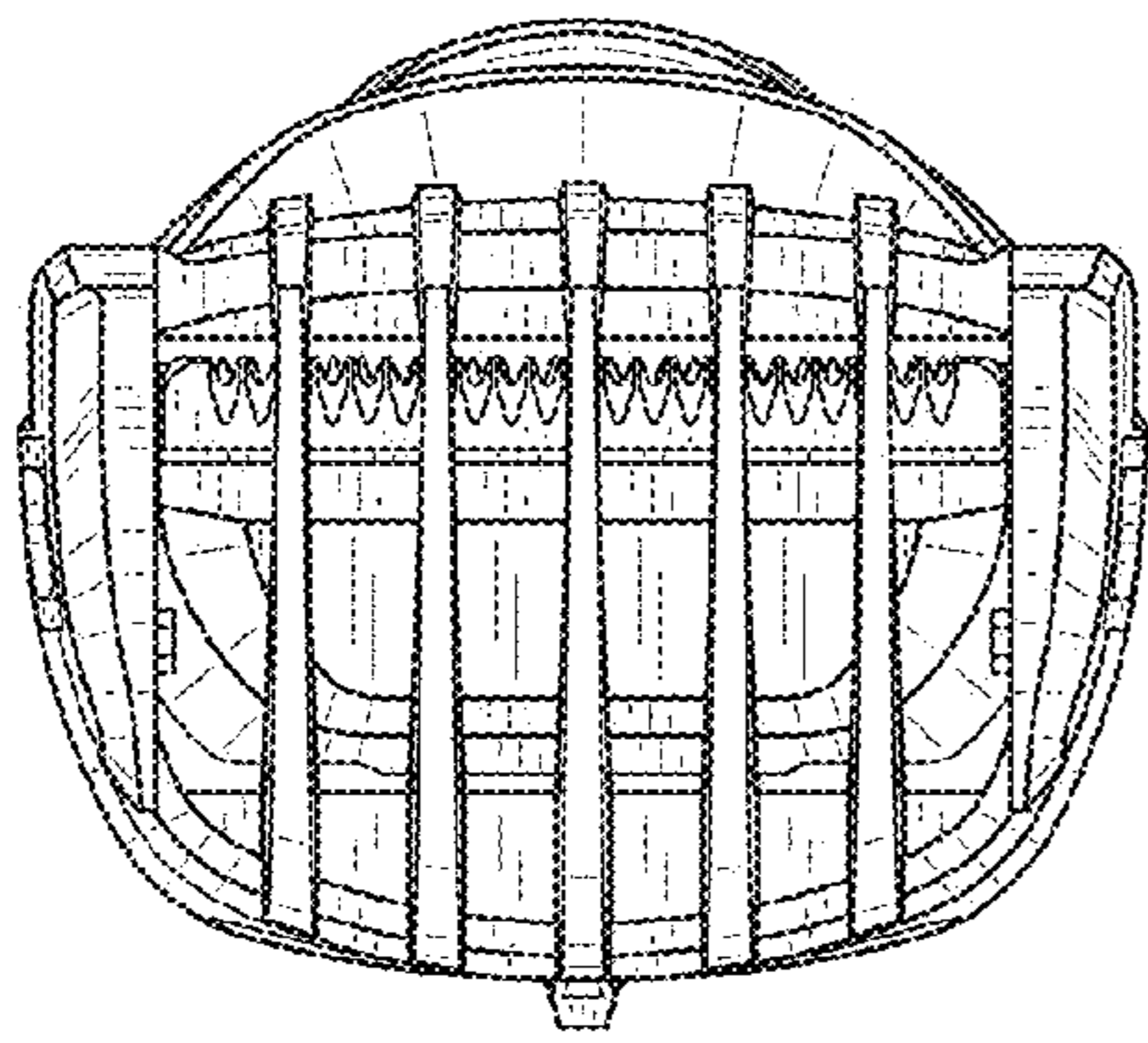


FIG.8

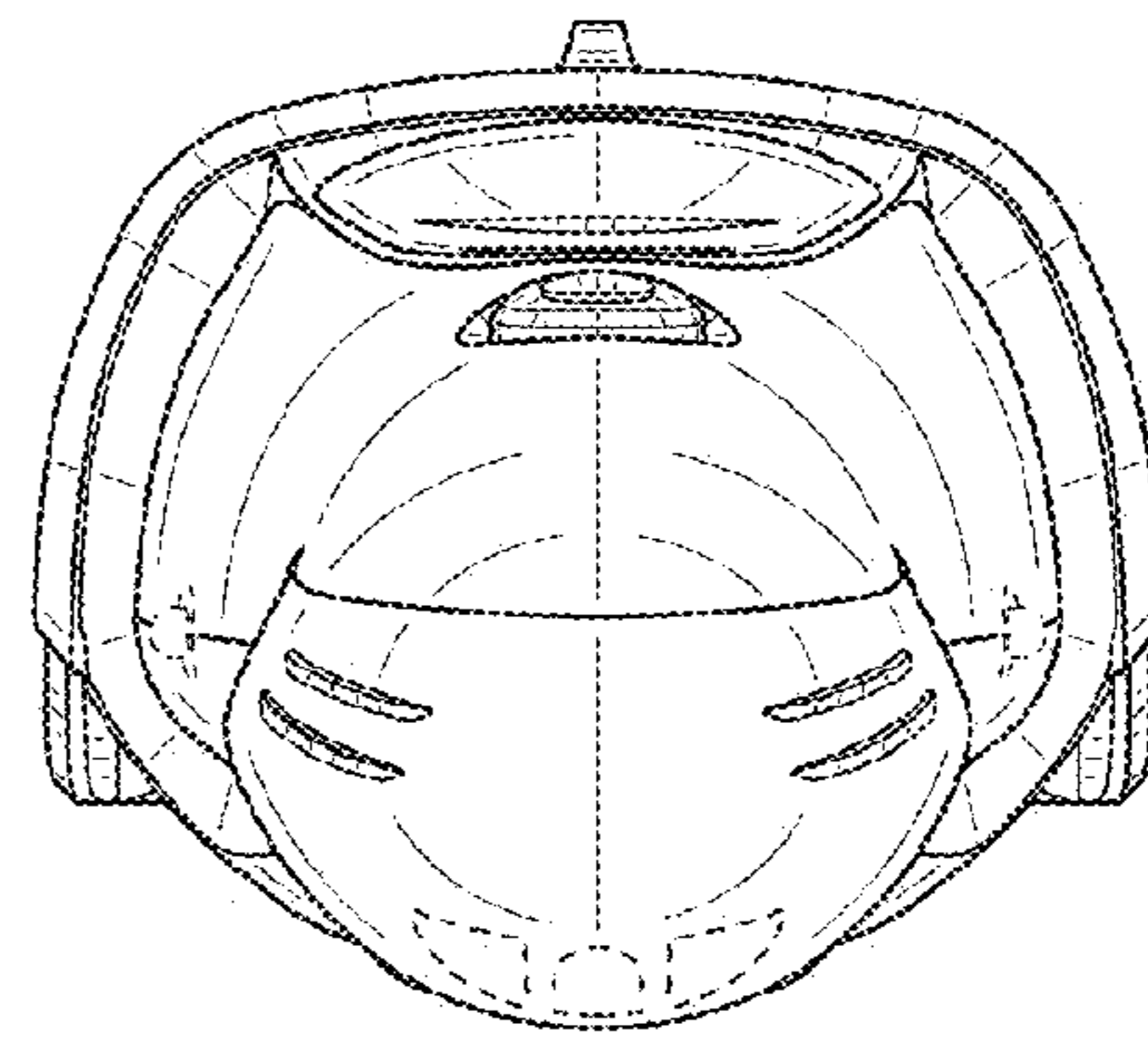


FIG.9

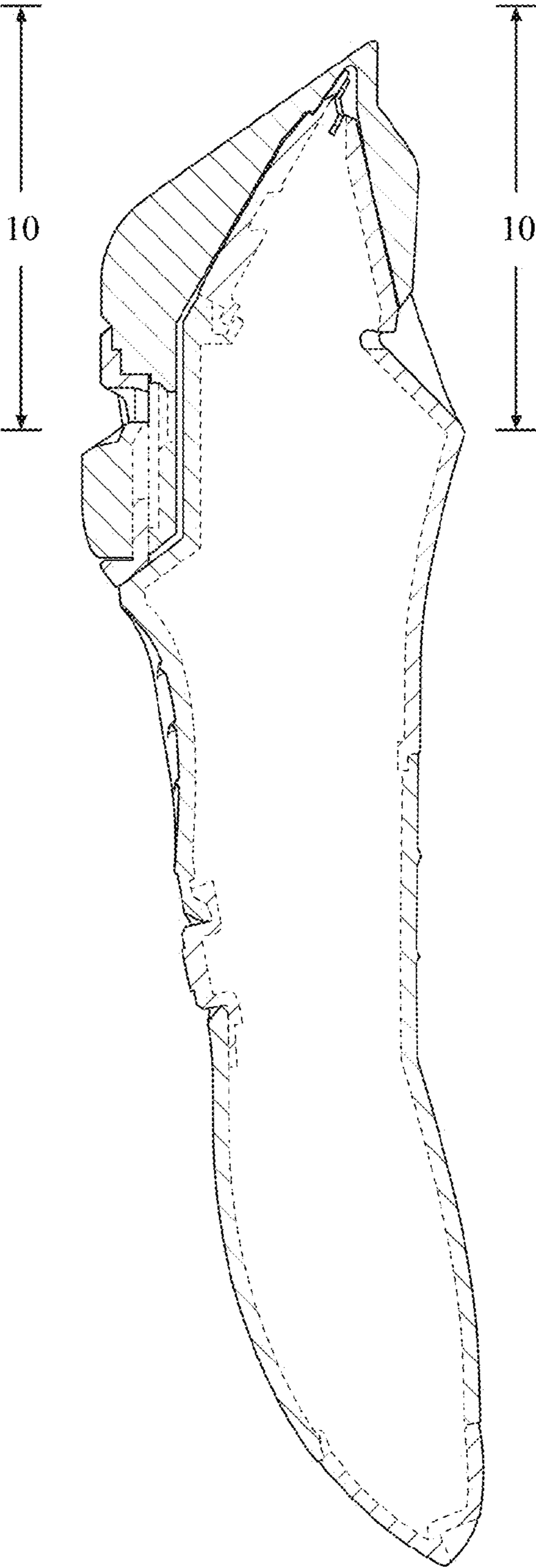


FIG.10

