

US00D697254S

(12) **United States Design Patent**
Wang

(10) **Patent No.:** **US D697,254 S**
(45) **Date of Patent:** **** Jan. 7, 2014**

(54) **CLIP TYPE OF MINI ILLUMINATED WAND HOLDER**

(71) Applicant: **Eiko Electric Products Corp.**, Taipei (TW)

(72) Inventor: **Yu-Chin Wang**, Taipei (TW)

(73) Assignee: **Eiko Electric Products Corp.**, Taipei (TW)

(**) Term: **14 Years**

(21) Appl. No.: **29/439,022**

(22) Filed: **Dec. 5, 2012**

(51) **LOC (10) Cl.** **26-99**

(52) **U.S. Cl.**
USPC **D26/138**

(58) **Field of Classification Search**
USPC D26/25, 26, 28, 31, 35, 36, 37, 41, 42, D26/50, 51, 52, 64, 66, 67, 73, 75, 78, 85, D26/88, 89, 90, 103-106, 109, 110, 119, D26/123, 125, 129, 131, 135, 136, 138, 140, D26/143, 144; D13/179, 180; 362/92, 130, 362/132, 133, 183, 184, 190, 205, 216, 362/217.05, 218, 220, 223, 224, 241, 247, 362/249.03, 249.05-249.1, 249.11, 258, 362/260, 285, 287, 294.02, 297, 327, 345, 362/354, 373-379, 410, 418, 419, 510, 516, 362/558, 561; 248/339, 557, 558; D8/354, D8/373, 377, 382; D25/60, 119, 124, 125; 52/455; 349/59-62, 64-67, 113; 438/15; 345/102; D12/406; D10/111, D10/114.1; D11/121, 125, 144, 145; 428/11; 257/96, 97, 98, 99

See application file for complete search history.

(56) **References Cited**

U.S. PATENT DOCUMENTS

3,688,508 A *	9/1972	Taylor	405/278
D242,034 S *	10/1976	Drawsky	D25/119
D242,138 S *	11/1976	Drawsky	D25/119
D328,363 S *	7/1992	Young	D26/138
D380,145 S *	6/1997	Rumpel	D8/395
D387,468 S *	12/1997	Liu	D26/138
D391,009 S *	2/1998	Liu	D26/138
D440,005 S *	4/2001	Blanton	D26/138
D543,100 S *	5/2007	Heindl	D8/382
2008/0310924 A1 *	12/2008	Heindl	405/279

* cited by examiner

Primary Examiner — Zenia Bennett

(74) *Attorney, Agent, or Firm* — Guice Patents PLLC

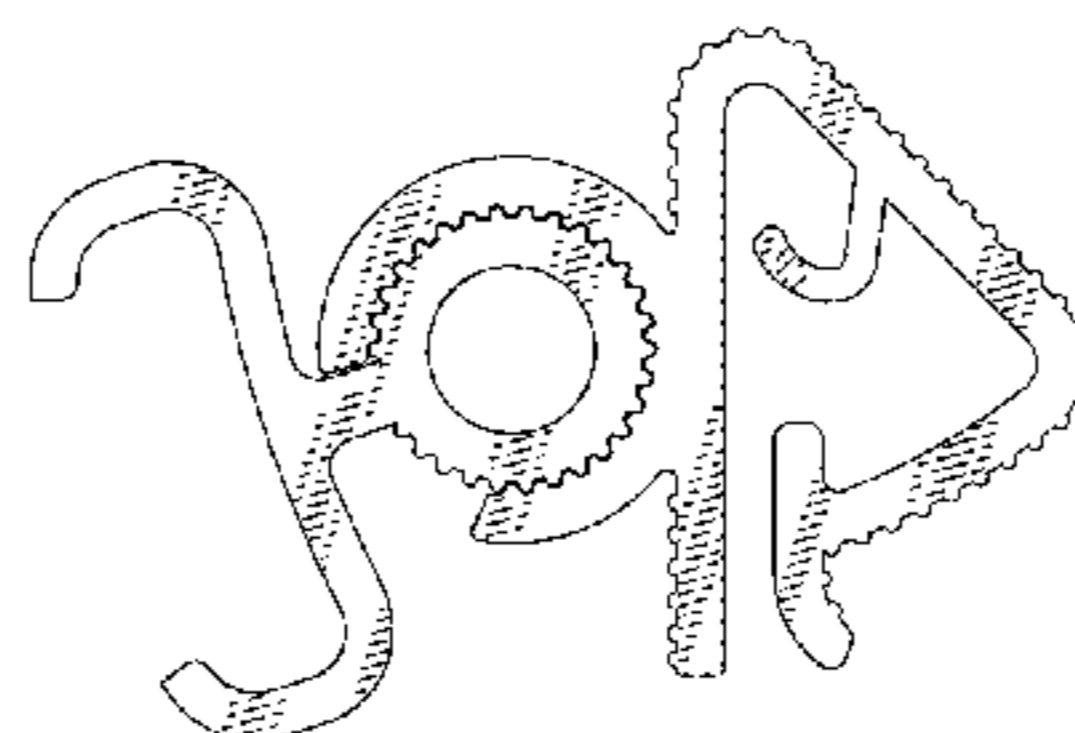
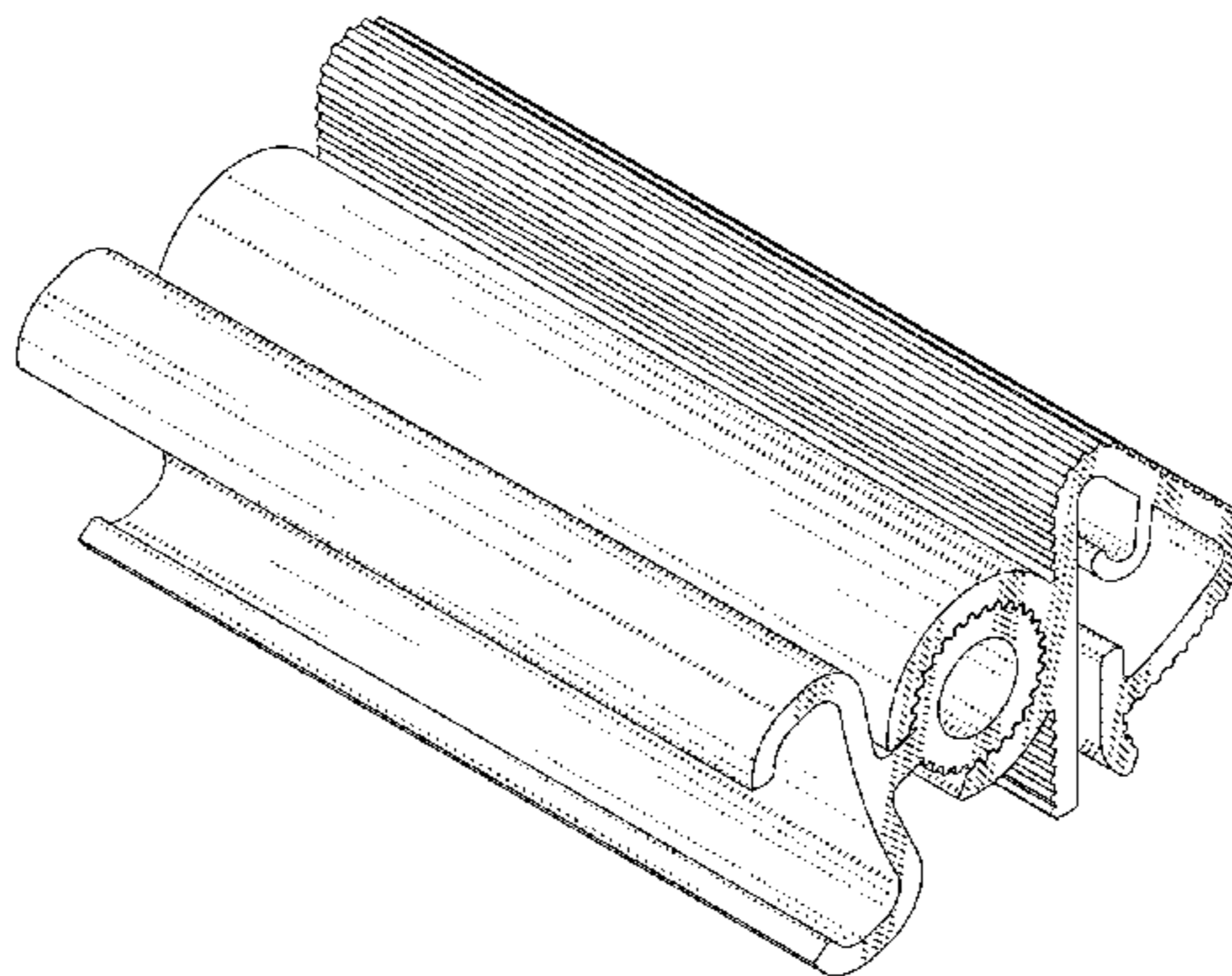
(57) **CLAIM**

The ornamental design for a clip type of mini illuminated wand holder, as shown and described.

DESCRIPTION

FIG. 1 is a perspective view of a clip type of mini illuminated wand holder showing my new design; FIG. 2 is a front elevation view thereof; FIG. 3 is a rear elevation view thereof; FIG. 4 is a left side elevation view thereof; FIG. 5 is a right side elevation view thereof; FIG. 6 is a top view thereof; FIG. 7 is a bottom view thereof; and, FIG. 8 is a perspective view in use state thereof. All broken lines shown in the drawings are for illustrative purposes only and form no part of the claimed design.

1 Claim, 8 Drawing Sheets



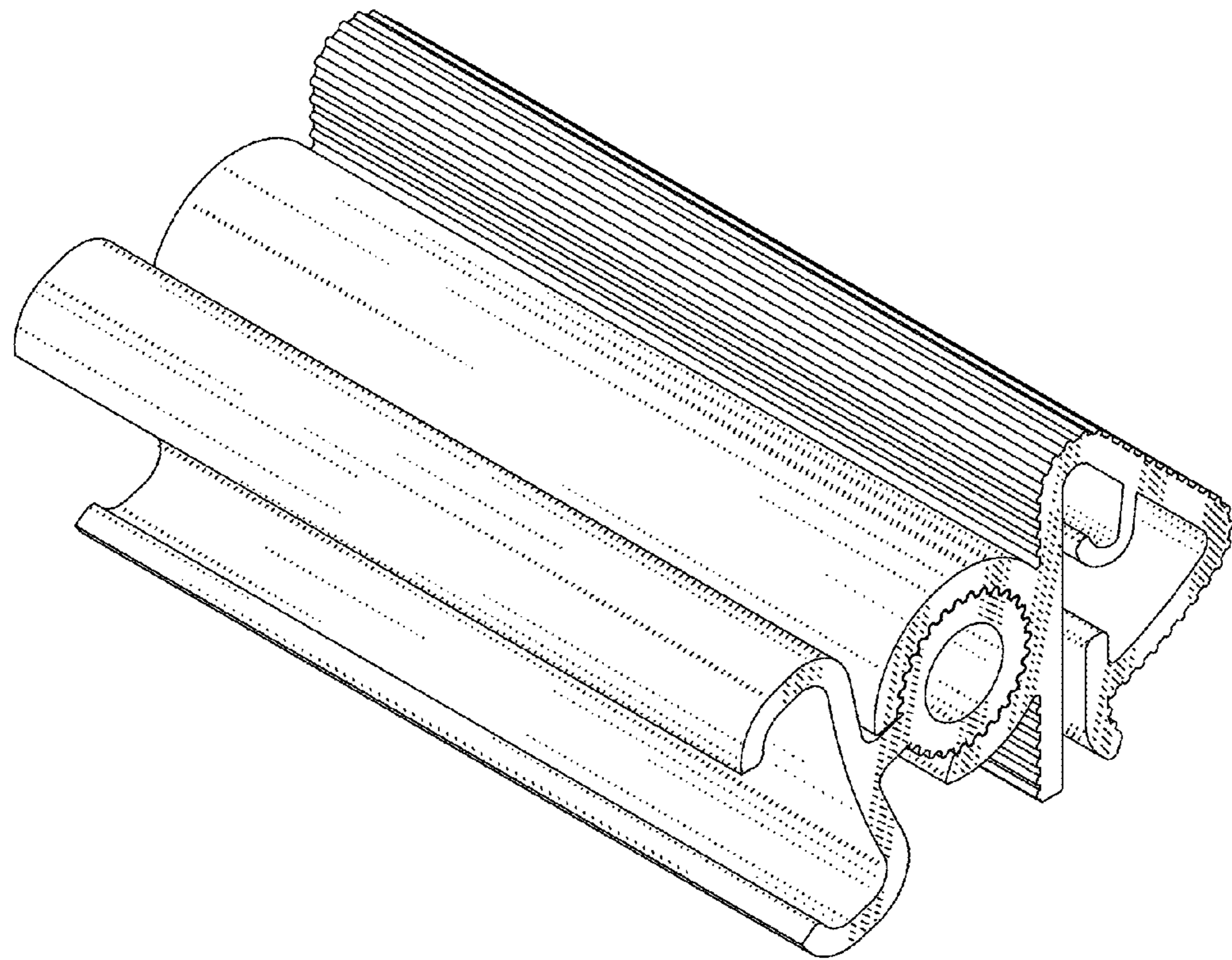


FIG. 1

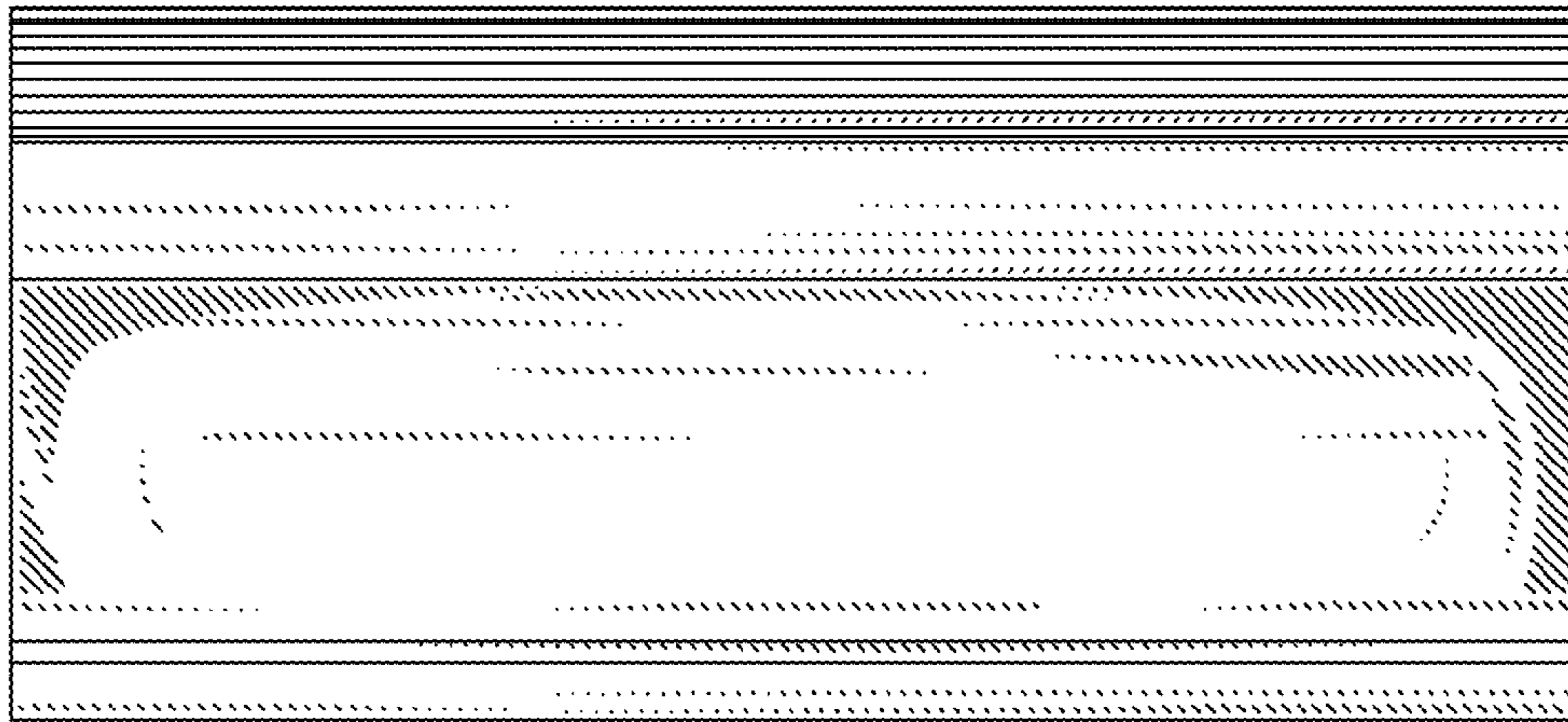


FIG. 2

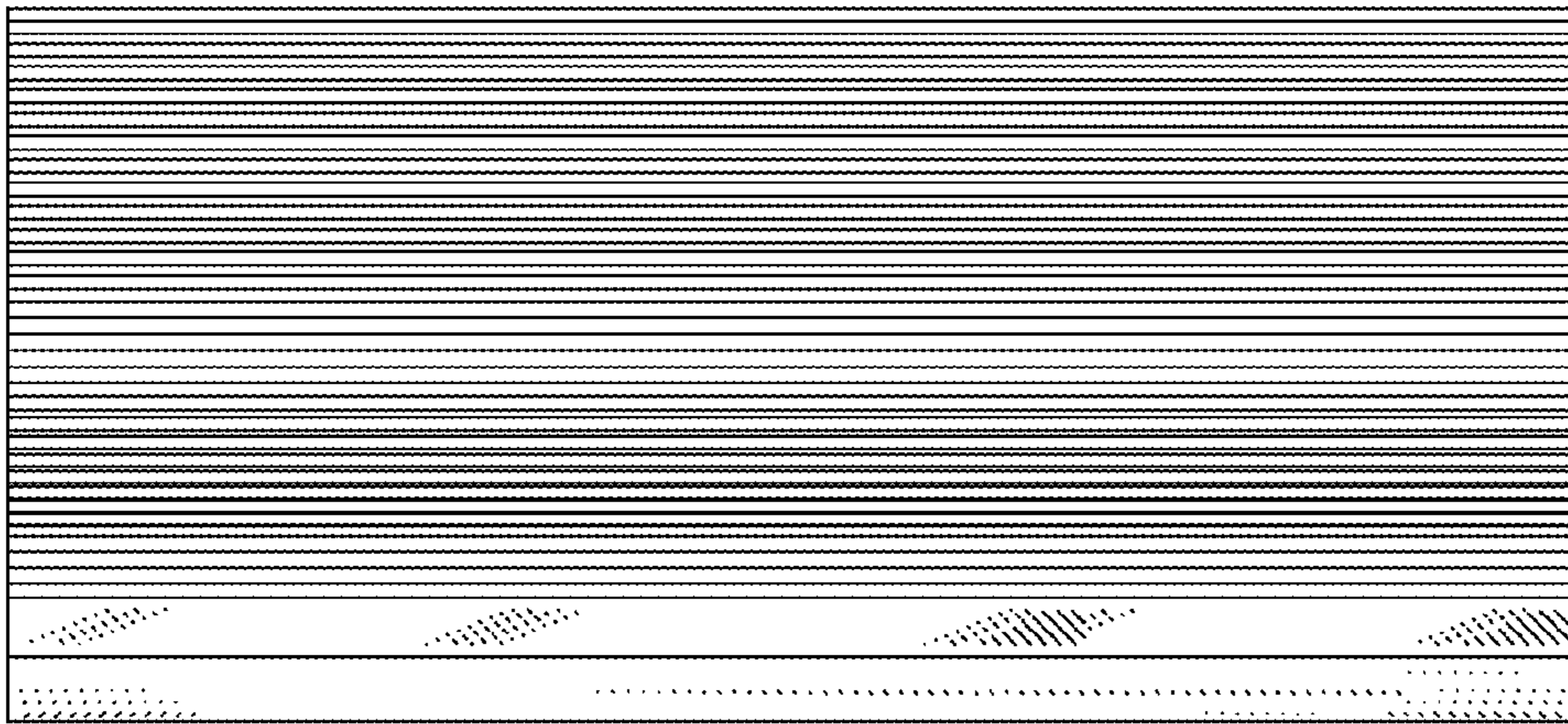


FIG. 3

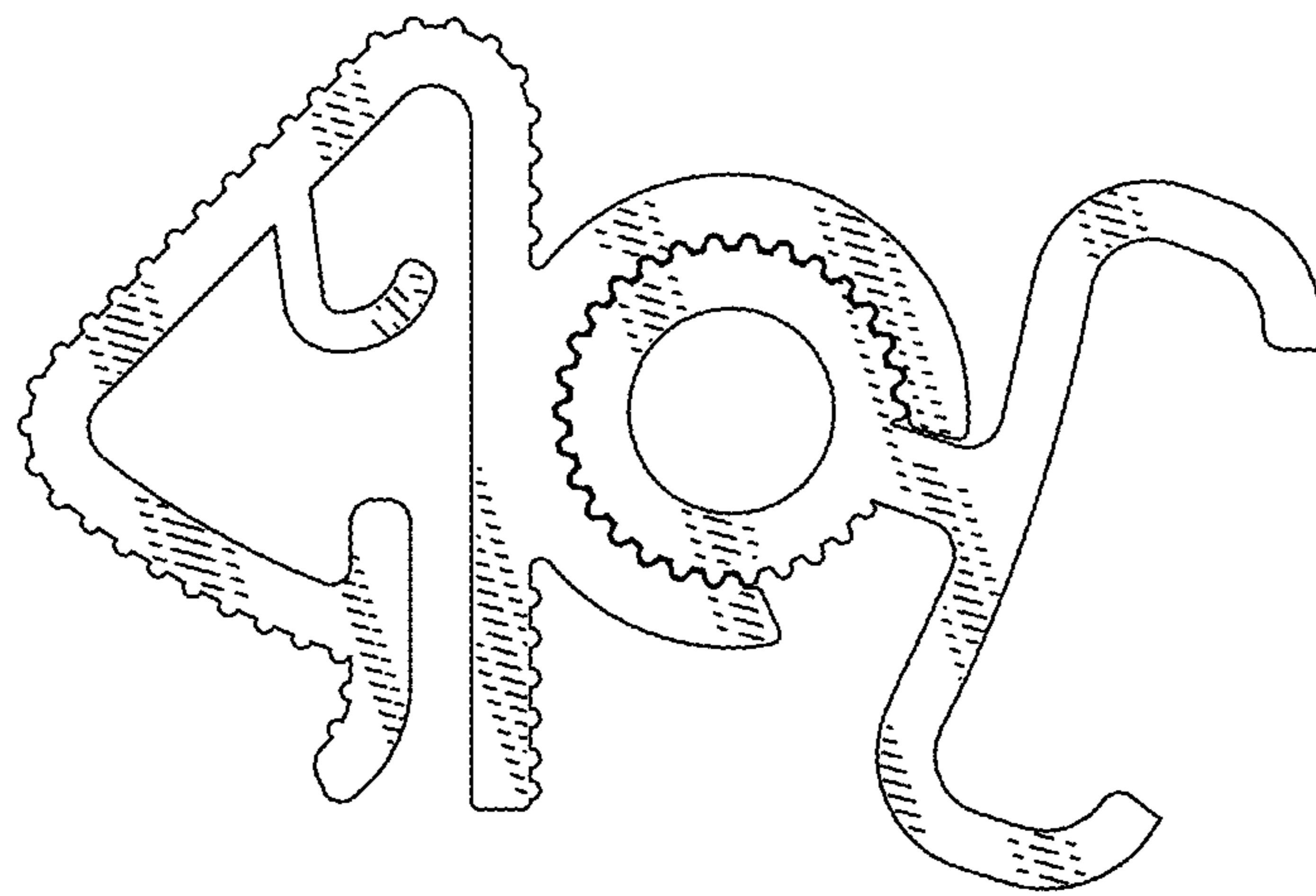


FIG. 4

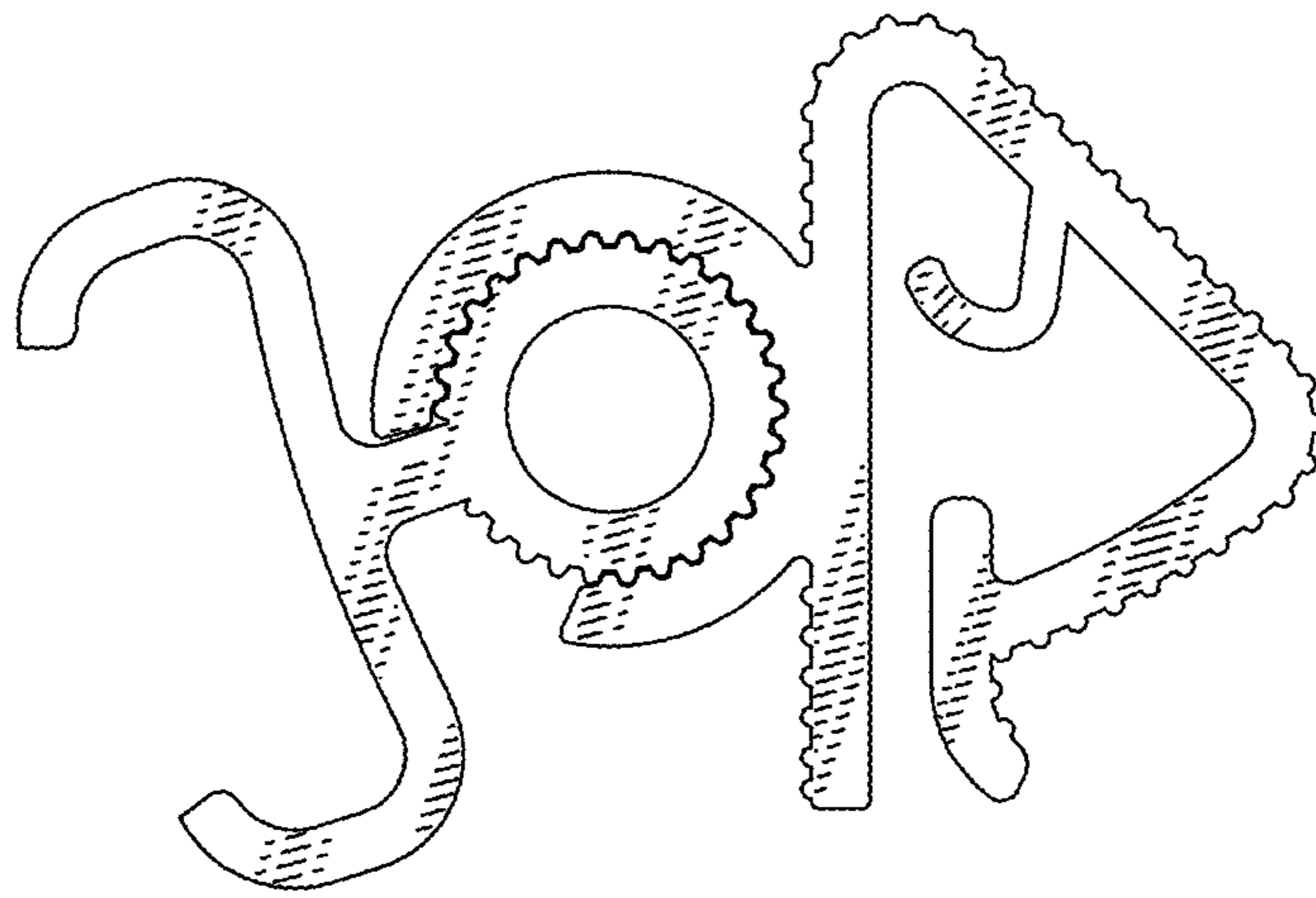


FIG. 5

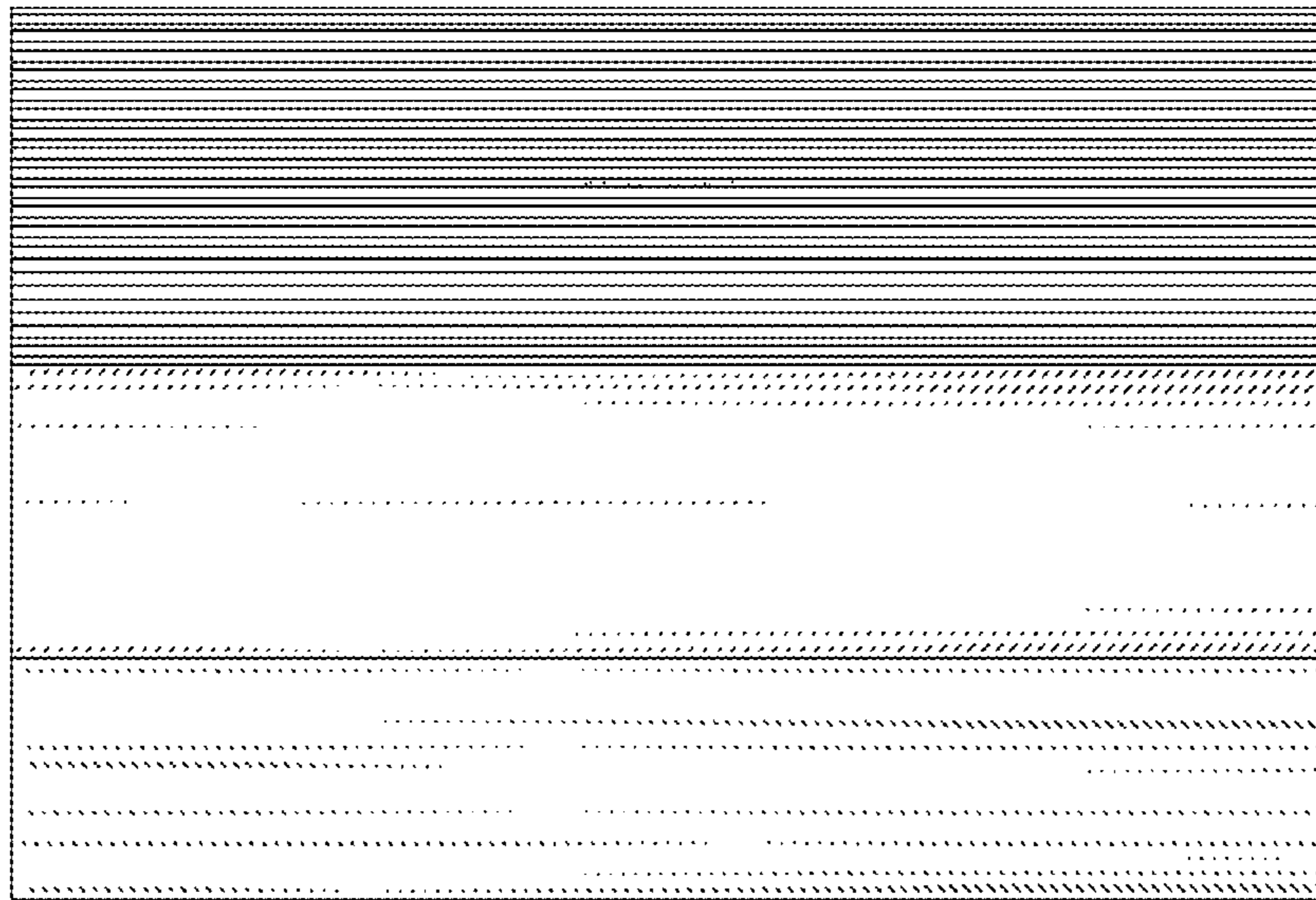


FIG. 6

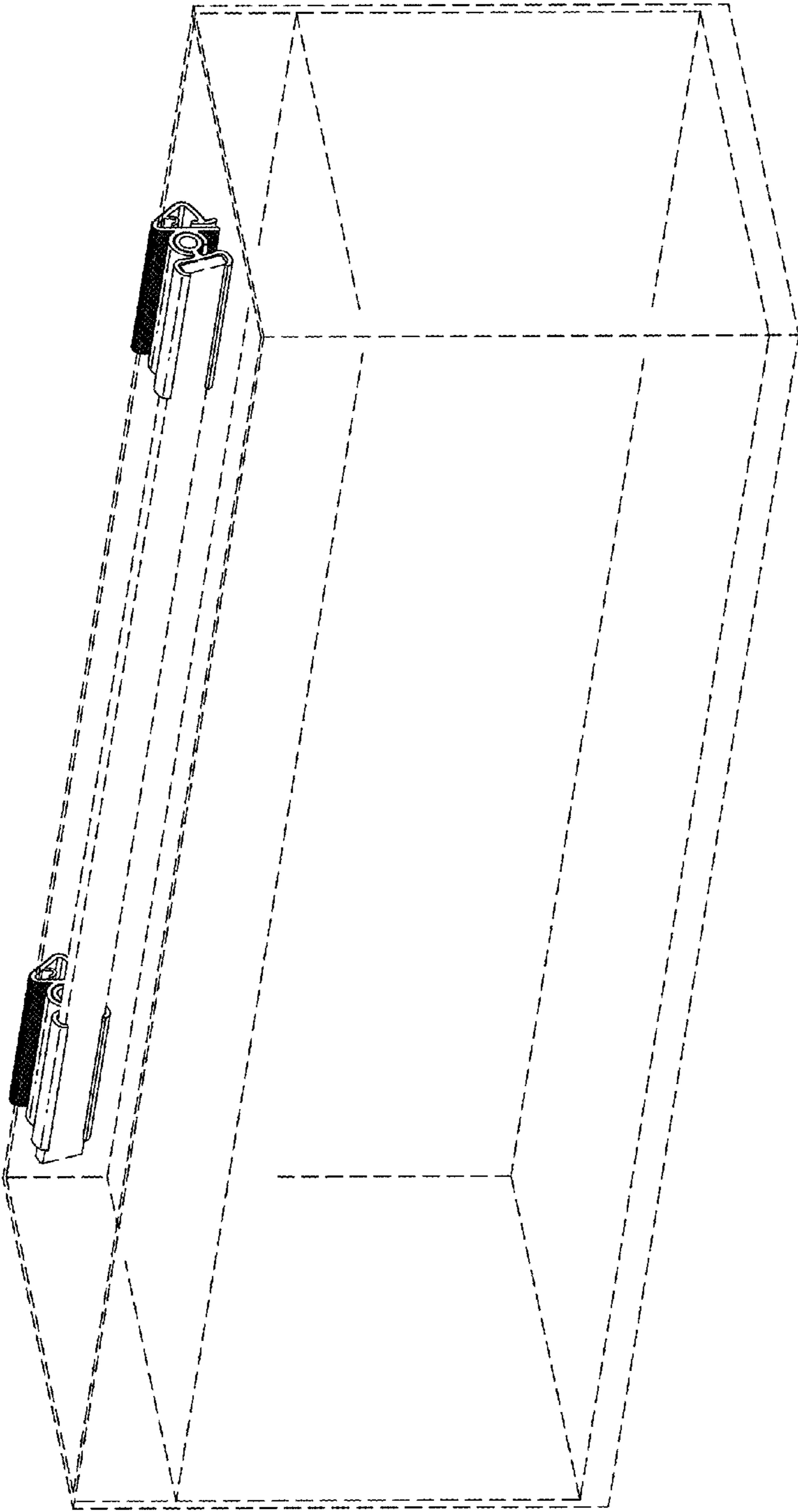


FIG. 8