



US00D697253S

(12) **United States Design Patent**
Wakamiya et al.

(10) **Patent No.:** **US D697,253 S**
(45) **Date of Patent:** **** Jan. 7, 2014**

(54) **LIGHT-EMITTING DIODE LAMP**
(75) Inventors: **Akihito Wakamiya**, Hyogo (JP); **Akio Kitada**, Osaka (JP); **Yoshinori Kakuno**, Osaka (JP); **Katsushi Seki**, Shiga (JP)
(73) Assignee: **Panasonic Corporation**, Osaka (JP)
(**) Term: **14 Years**

(21) Appl. No.: **29/404,853**

(22) Filed: **Oct. 26, 2011**

(30) **Foreign Application Priority Data**

May 13, 2011 (JP) 2011-010741

(51) **LOC (10) Cl.** **26-99**

(52) **U.S. Cl.**
USPC **D26/113**

(58) **Field of Classification Search**
USPC D26/25, 24, 26, 28, 113, 118, 119, 120, D26/64, 65, 72, 74, 75, 73, 68, 69, 70, 71, D26/152, 153, 154, 122, 123, 145, 155, 121, D26/138, 139, 86, 85, 87, 89, 66, 67, 76, 77, D26/78, 84, 88, 95, 96, 124, 125, 126, 227, D26/128, 129, 146, 144, 130, 151, 142, 143, D26/140, 141, 45, 38, 39, 1, 2, 3, 127; 362/362, 326, 373, 623, 600, 371, 297, 362/294, 249.01, 294.03-249.05, 218; D10/111, 113.1, 114.1; 257/88; D13/179, 180

See application file for complete search history.

(56) **References Cited**

U.S. PATENT DOCUMENTS

4,275,325 A * 6/1981 Guim 313/51
4,695,768 A * 9/1987 Covington et al. 315/73
D343,915 S * 2/1994 Baader et al. D26/28
5,565,685 A * 10/1996 Czako et al. 250/504 R
D421,138 S * 2/2000 Kato et al. D26/3
D438,988 S * 3/2001 Dean, Jr. D25/113
D514,064 S * 1/2006 Wiskerke D13/134

D514,515 S * 2/2006 Wiskerke D13/134
D514,516 S * 2/2006 Wiskerke D13/134
D546,765 S * 7/2007 Ciancanelli et al. D13/136
D556,943 S * 12/2007 Kitagawa et al. D26/138
D575,235 S * 8/2008 Zayas D13/136
D603,086 S * 10/2009 Zayas D26/113
D612,806 S * 3/2010 Yasumoto et al. D13/122
D616,822 S * 6/2010 Zayas D13/134
8,021,189 B2 * 9/2011 Zayas et al. 439/617
8,308,497 B2 * 11/2012 Zayas et al. 439/236
2005/0202704 A1 * 9/2005 Lingemann et al. 439/236

FOREIGN PATENT DOCUMENTS

JP D1407531 2/2011

* cited by examiner

Primary Examiner — Kevin Rudzinski

(74) *Attorney, Agent, or Firm* — Brinks Gilson & Lione

(57) **CLAIM**

We claim the ornamental design for a light-emitting diode lamp, as shown and described.

DESCRIPTION

FIG. 1 is a front perspective view of a light-emitting diode lamp of the present invention;
FIG. 2 is a rear perspective view thereof;
FIG. 3 is a front view thereof;
FIG. 4 is a rear view thereof;
FIG. 5 is a first side view thereof;
FIG. 6 is a second side view thereof;
FIG. 7 is a top view thereof; and,
FIG. 8 is a bottom view thereof.

The broken lines illustrating portions of the light emitting diode lamp form no part of the claimed design. Additionally, the unevenly broken lines in the drawings define the limits of the claimed design.

The broken lines down the middle of the design and the brackets indicate that the appearance of any portion of the article between the broken lines forms no part of the claimed design.

1 Claim, 7 Drawing Sheets

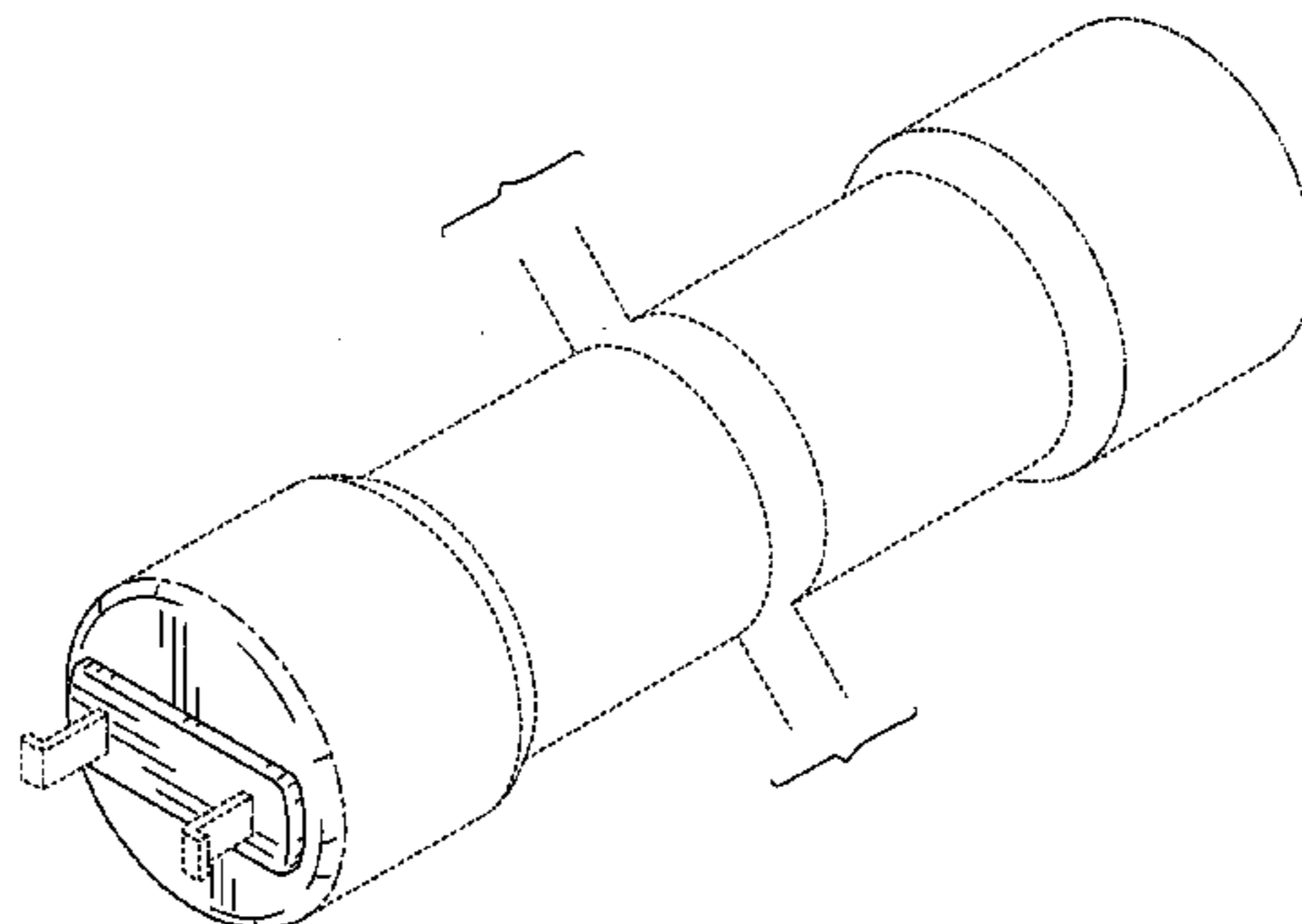


FIG.1

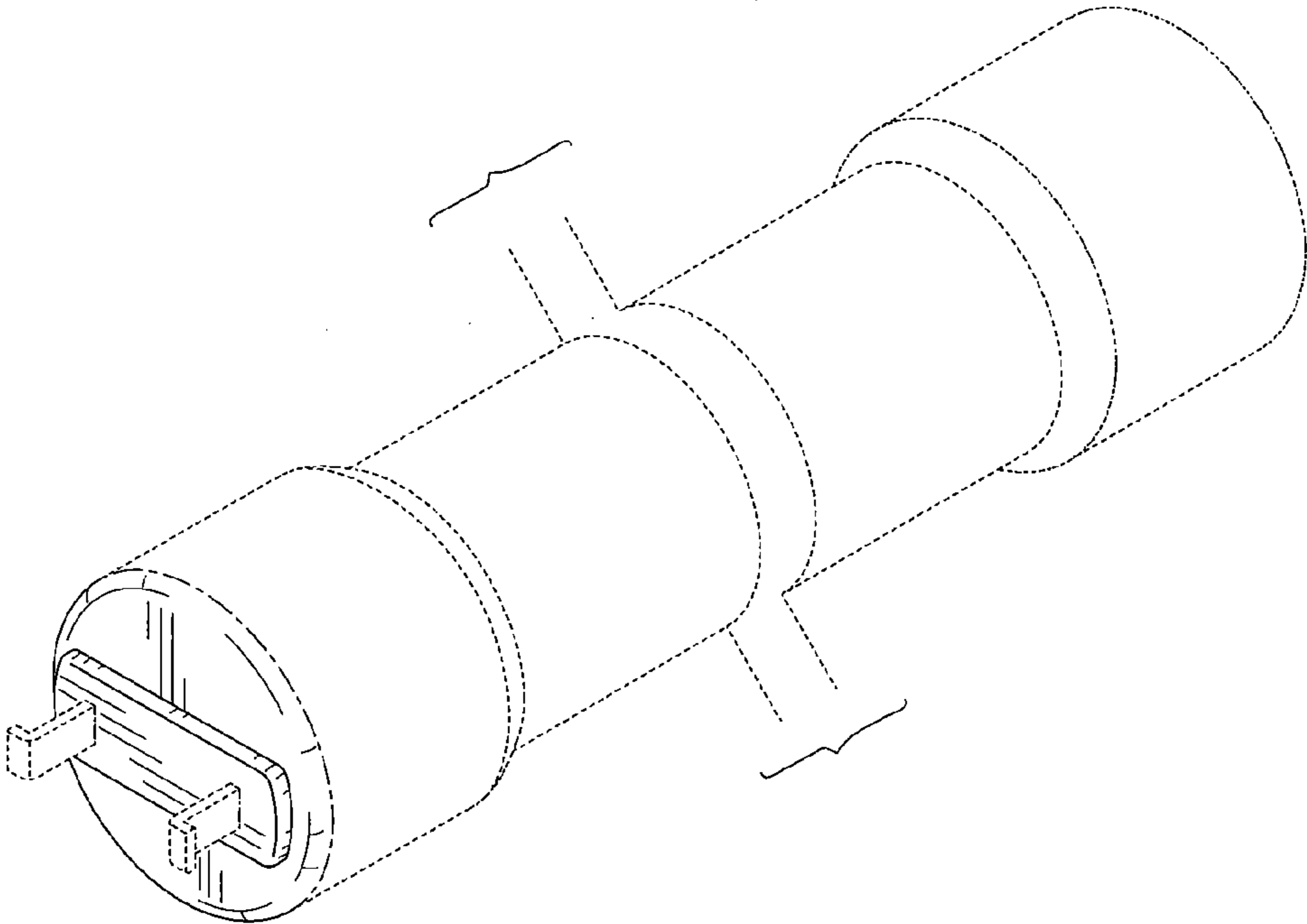


FIG.2

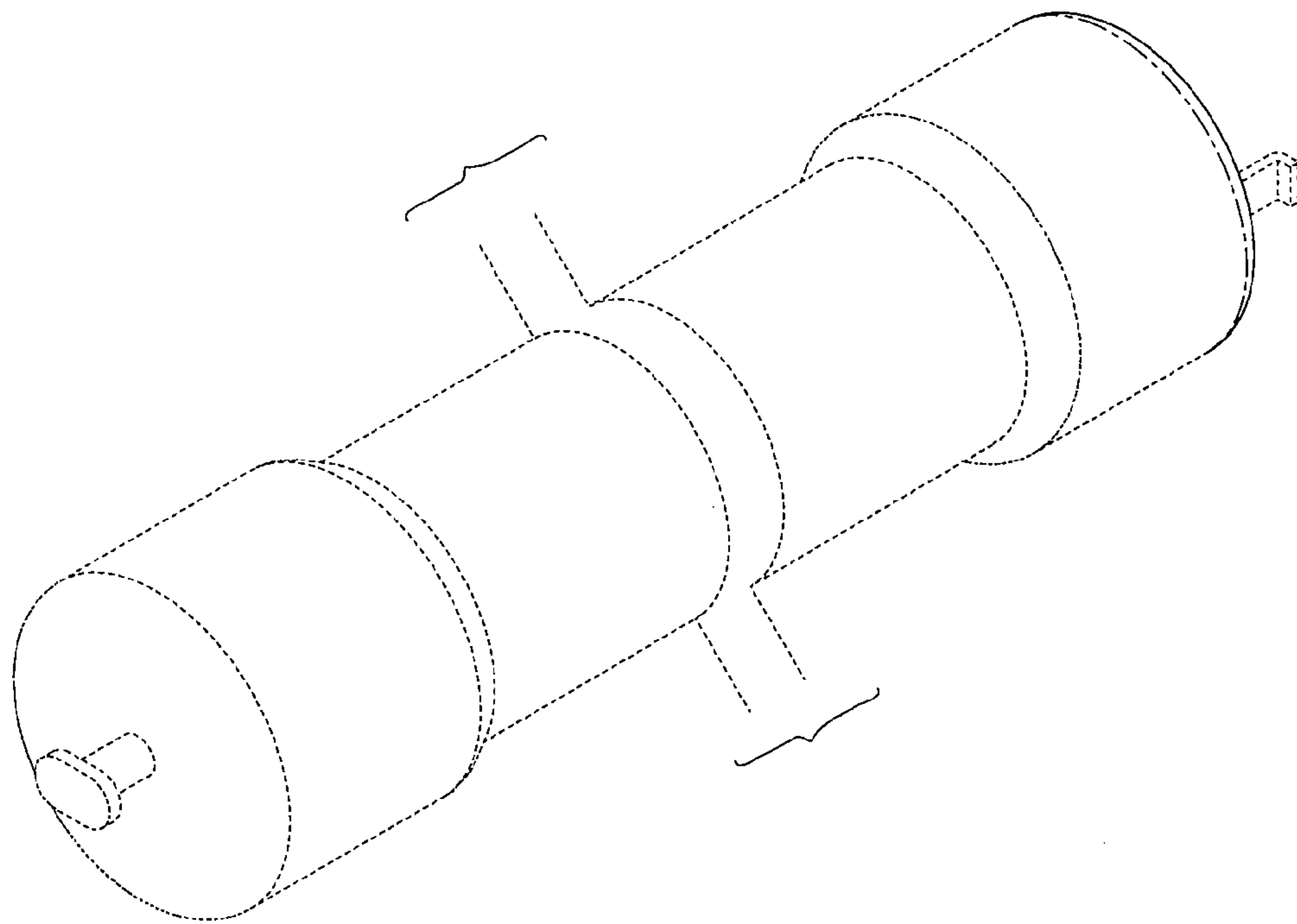


FIG.3

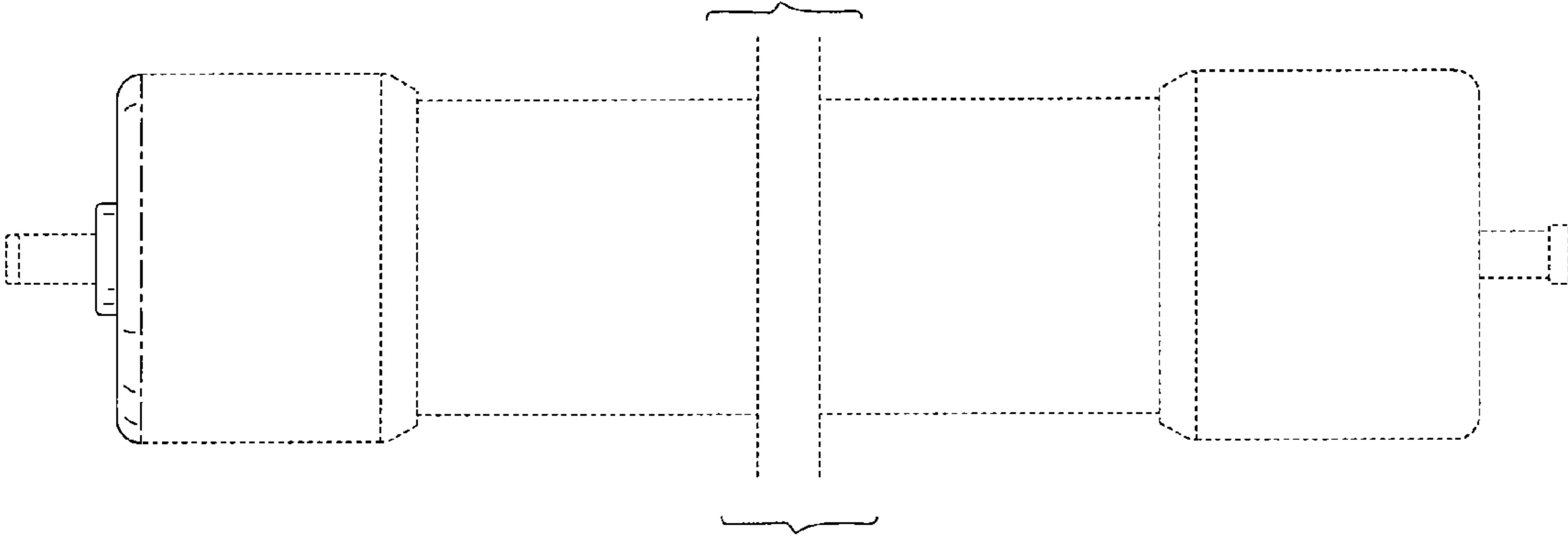


FIG.4

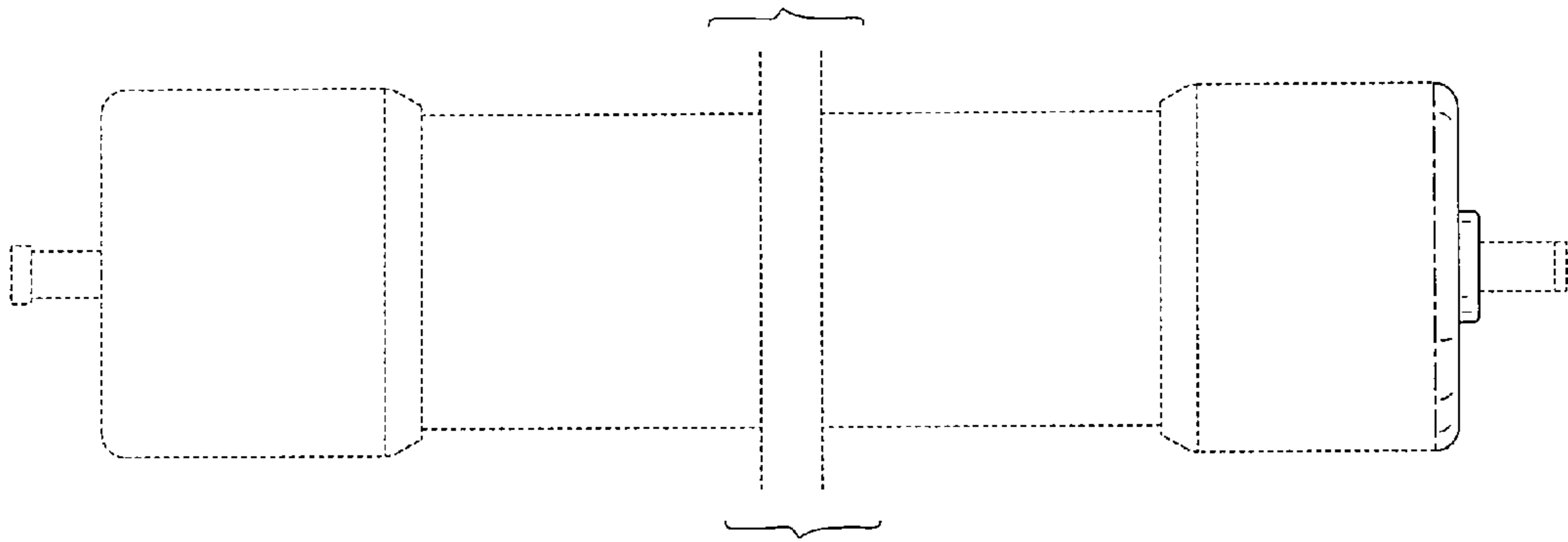


FIG.5

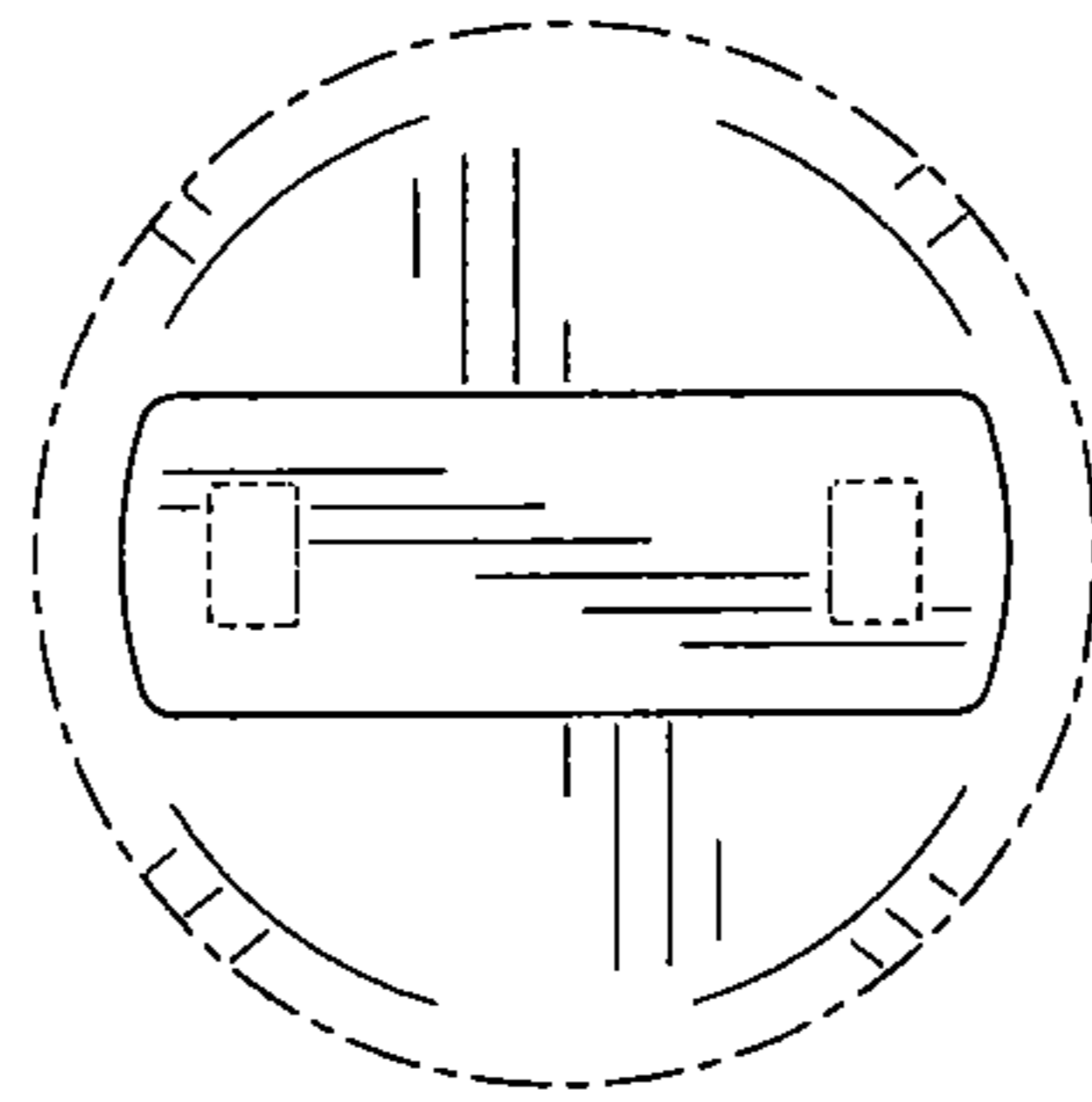


FIG.6

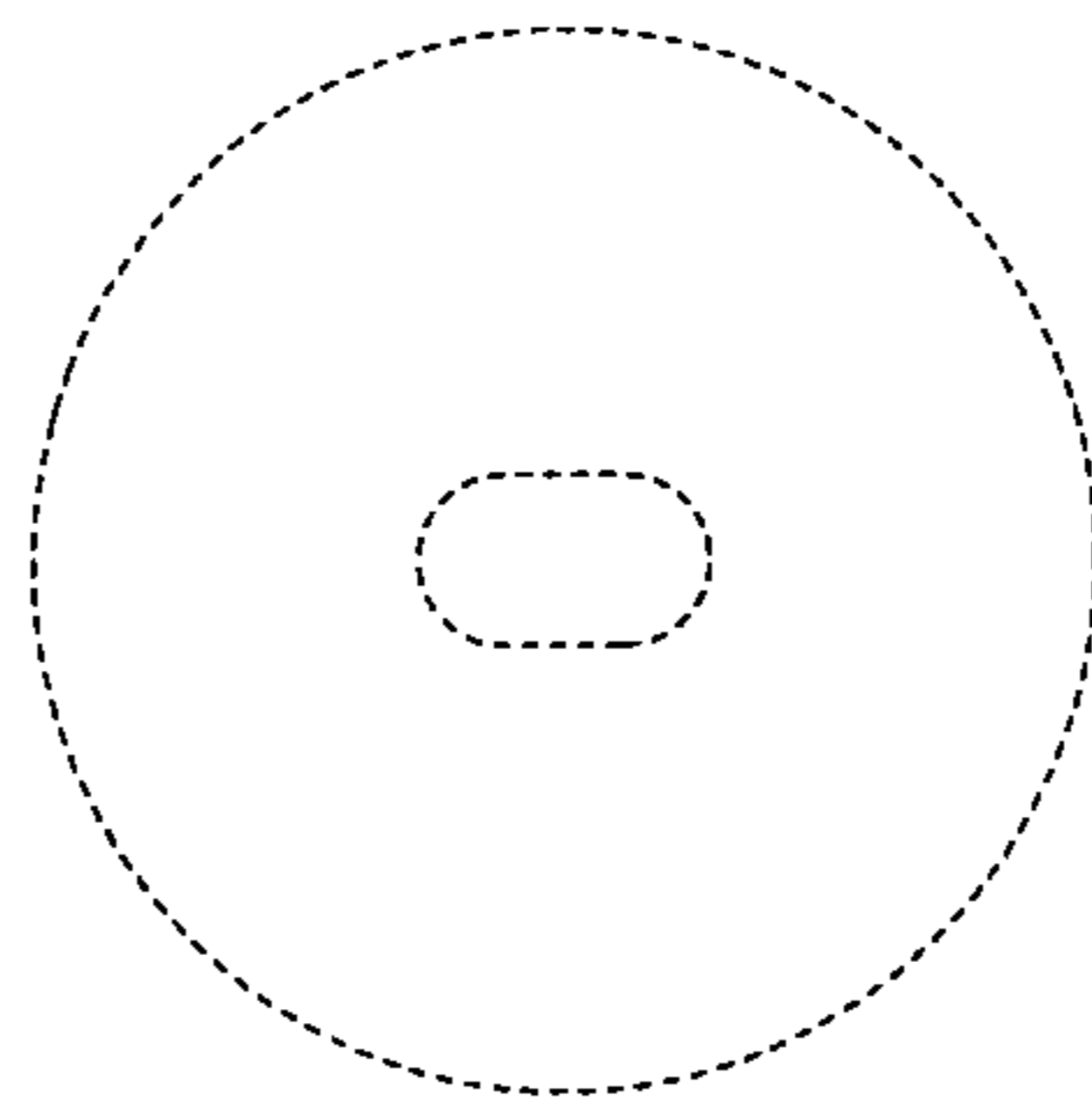


FIG.7

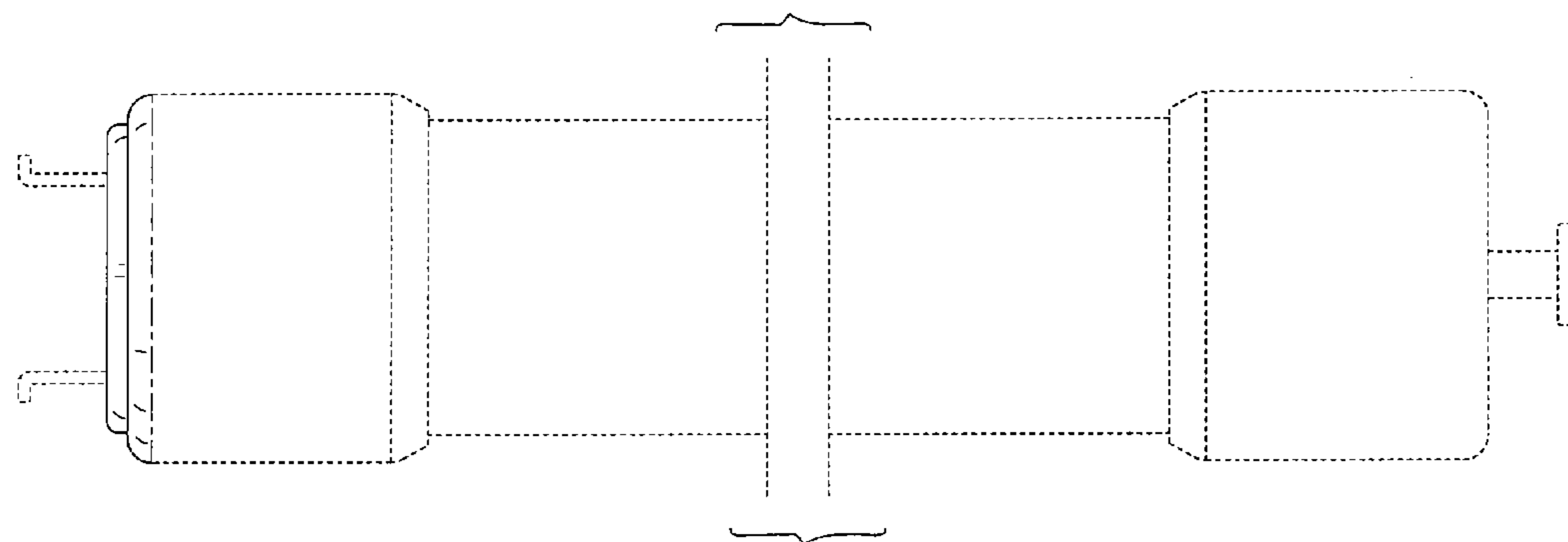


FIG.8

