

US00D697250S

(12) **United States Design Patent**
Haynes

(10) **Patent No.:** **US D697,250 S**
(45) **Date of Patent:** **** Jan. 7, 2014**

(54) **LIGHTING FIXTURE FOR FILM AND TELEVISION PRODUCTION**

(76) Inventor: **Wesley Markham Haynes**, Huntington Beach, CA (US)

(**) Term: **14 Years**

(21) Appl. No.: **29/373,976**

(22) Filed: **Jun. 17, 2011**

(51) **LOC (10) Cl.** **26-03**

(52) **U.S. Cl.**
USPC **D26/88**

(58) **Field of Classification Search**
USPC D26/72, 75, 87, 88, 89; 362/147, 431, 362/432, 340, 371, 375
See application file for complete search history.

(56) **References Cited**

U.S. PATENT DOCUMENTS

D268,876 S *	5/1983	Leithauer, Jr.	D26/72
D271,428 S *	11/1983	de Vos et al.	D26/85
D302,737 S *	8/1989	Hoke et al.	D26/88
D332,504 S *	1/1993	Ewing et al.	D26/88
D343,252 S *	1/1994	Belisle	D26/88
D346,239 S *	4/1994	Vamberszky et al.	D26/118
D368,974 S *	4/1996	Belisle	D26/88
D418,938 S *	1/2000	McCartney et al.	D26/88
D436,211 S *	1/2001	Neeld et al.	D26/85
D440,341 S *	4/2001	Arumugasaamy	D26/85
D467,677 S *	12/2002	Ries et al.	D26/88
D468,049 S *	12/2002	Ries et al.	D26/89

D488,880 S *	4/2004	Rahn	D26/72
D490,181 S *	5/2004	Redfern	D26/72
D567,988 S *	4/2008	Lissoni	D26/88
D582,600 S *	12/2008	Guercio	D26/88
D583,980 S *	12/2008	Guercio	D26/88
D621,983 S *	8/2010	Mier-Langner et al.	D26/63

* cited by examiner

Primary Examiner — Phillip S Hyder

(74) *Attorney, Agent, or Firm* — J. David Haynes

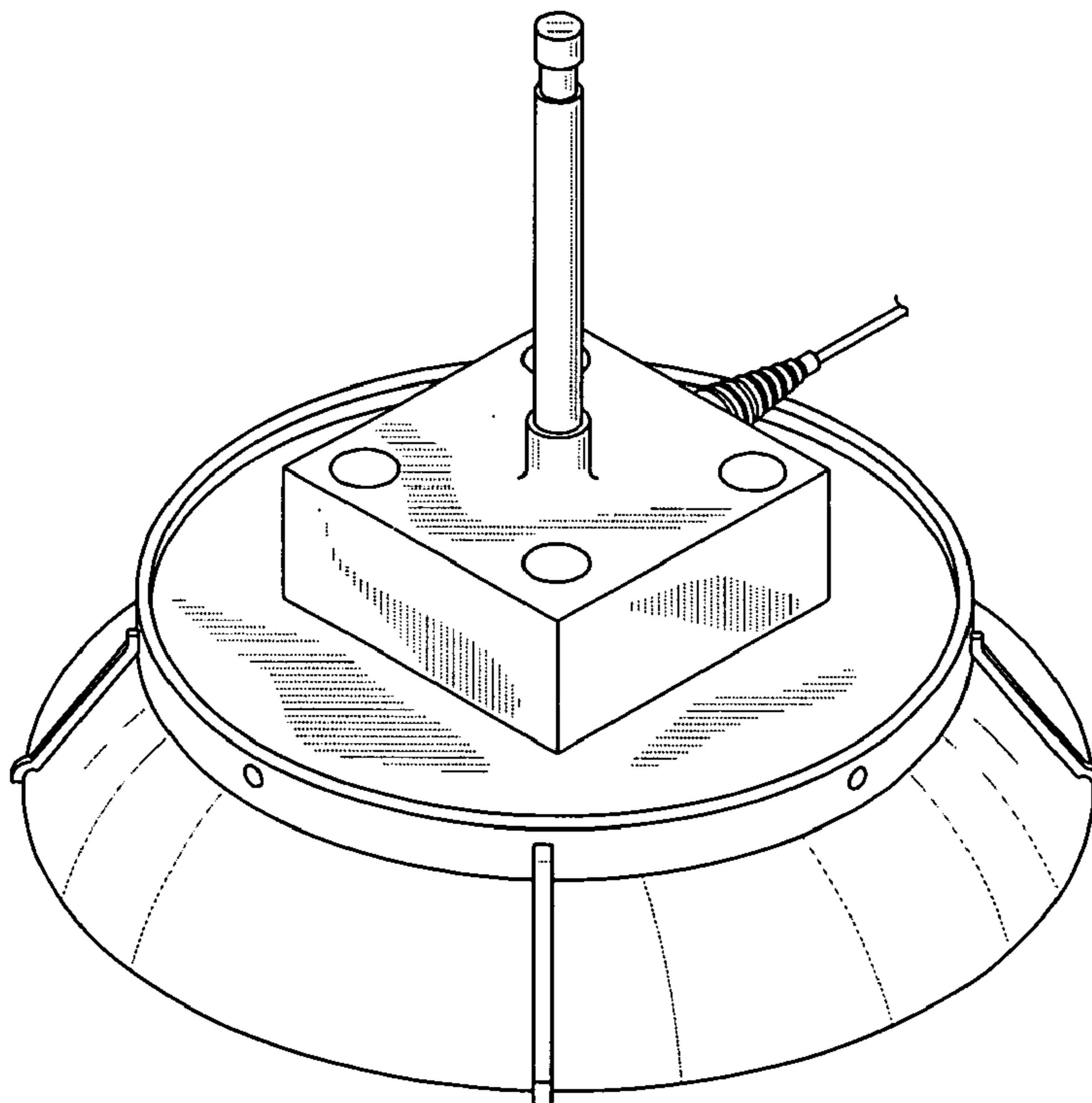
(57) **CLAIM**

The ornamental design for a lighting fixture for film and television production, as shown and described.

DESCRIPTION

FIG. 1 is a front side view of the lighting fixture for film and television production;
 FIG. 2 is a back side view of the lighting fixture for film and television production;
 FIG. 3 is a right side view of the lighting fixture for film and television production of FIG. 1;
 FIG. 4 is a left side view of the heel of the lighting fixture for film and television production of FIG. 1;
 FIG. 5 is a bottom view of the lighting fixture for film and television production;
 FIG. 6 is top view of the lighting fixture for film and television production;
 FIG. 7 is a perspective view of the bottom side of the lighting fixture for film and television production; and,
 FIG. 8 is a perspective view of the top side of the lighting fixture for film and television production.

1 Claim, 5 Drawing Sheets



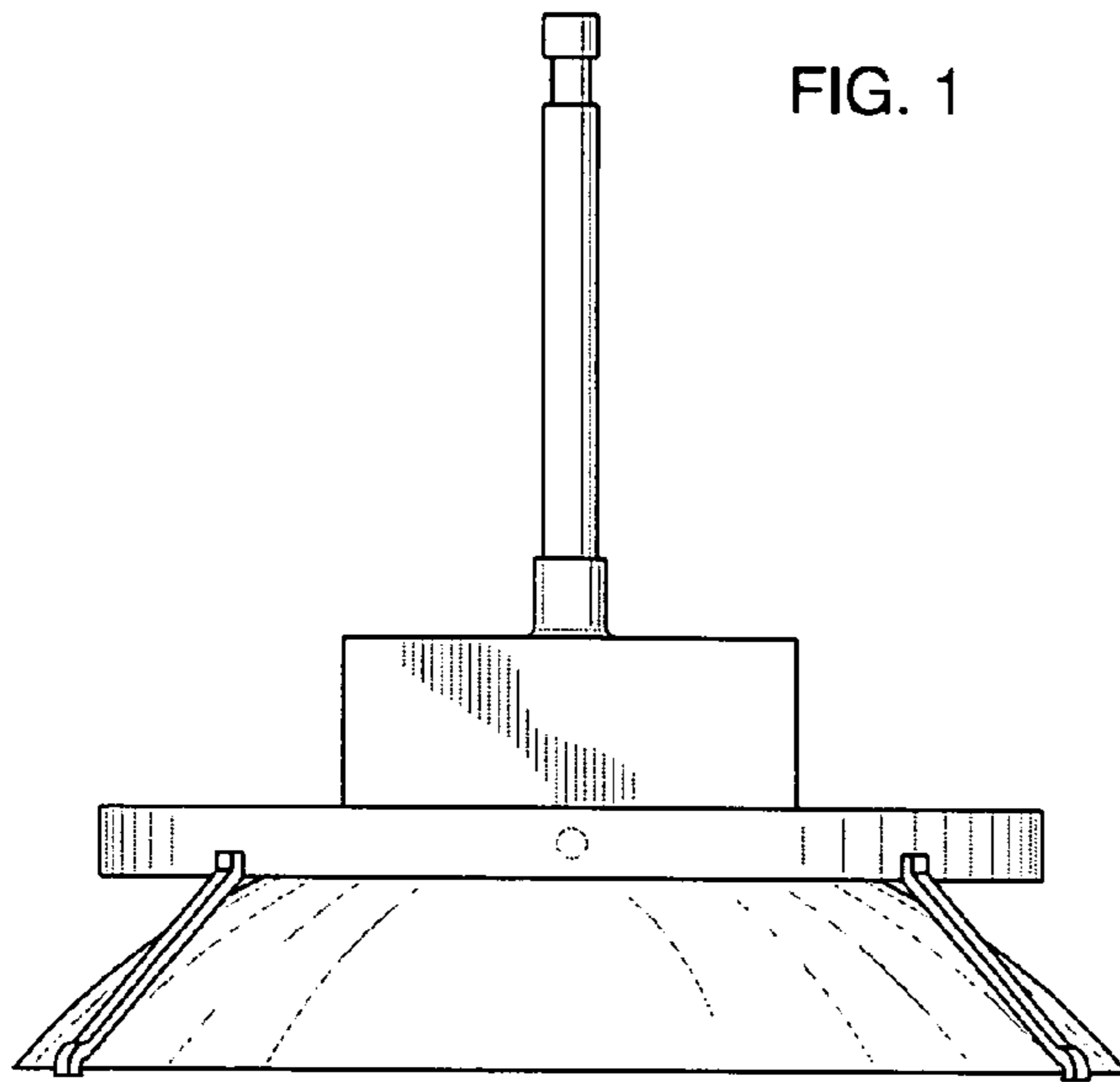


FIG. 2

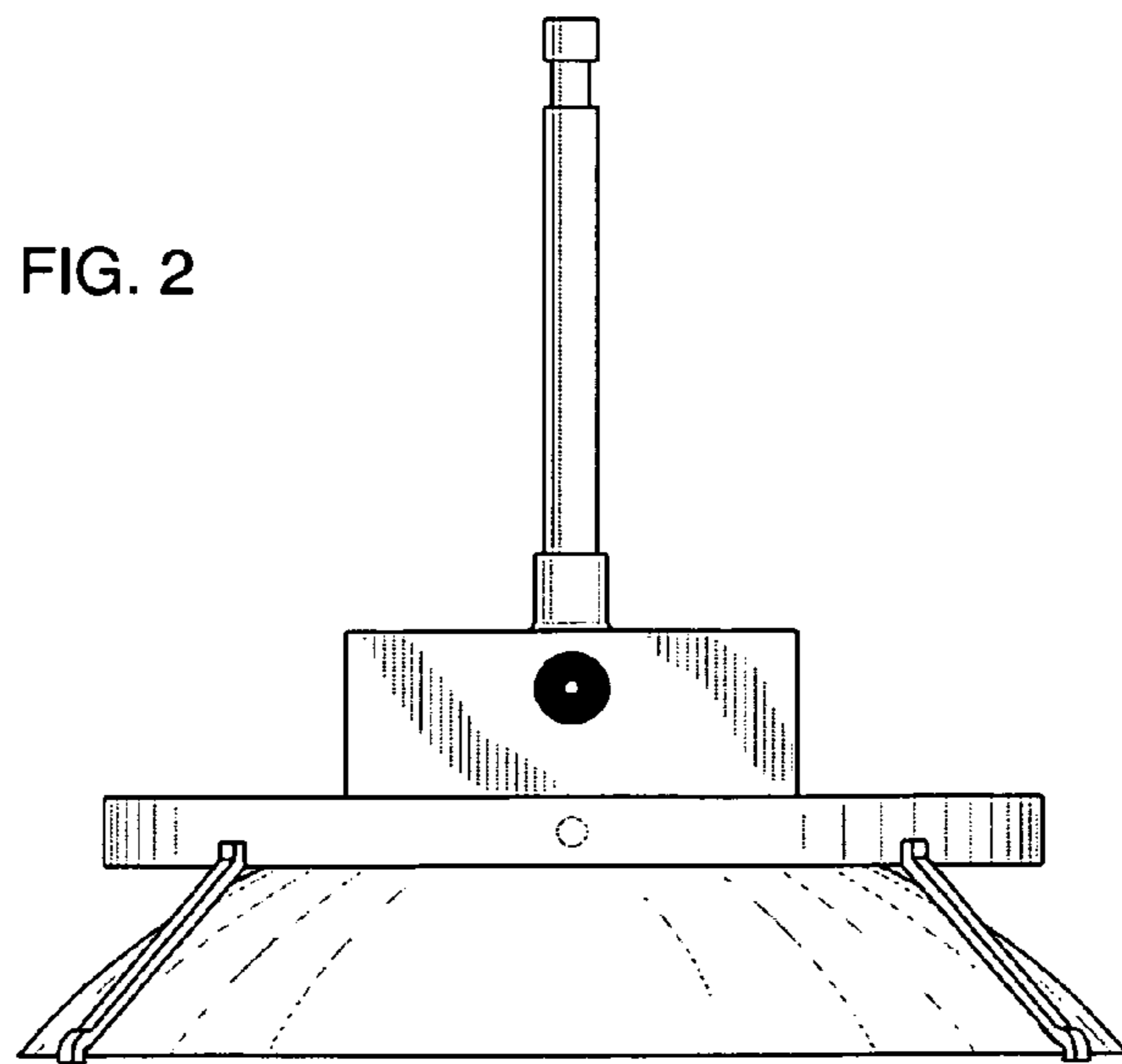


FIG. 3

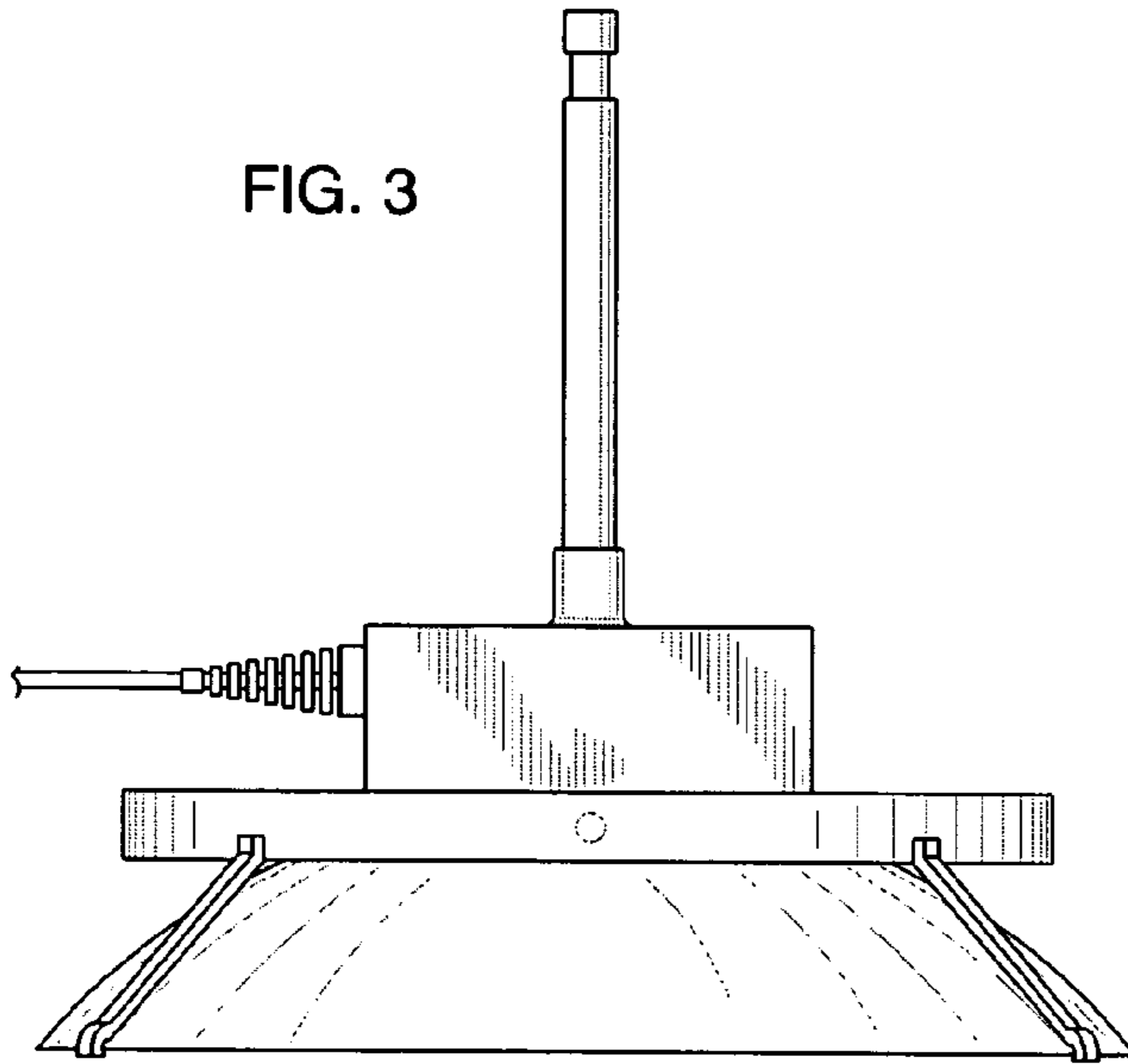


FIG. 4

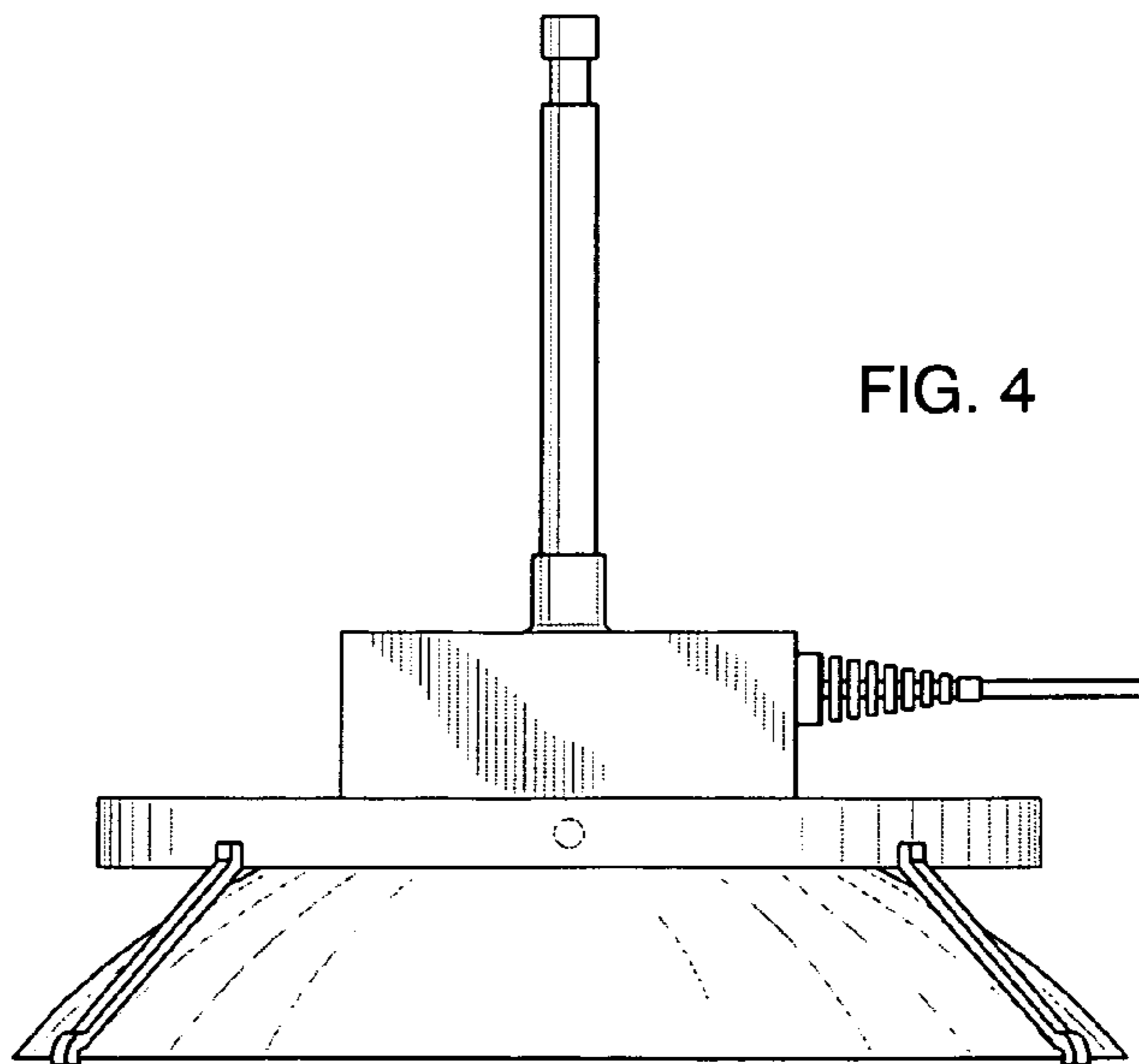


FIG. 5

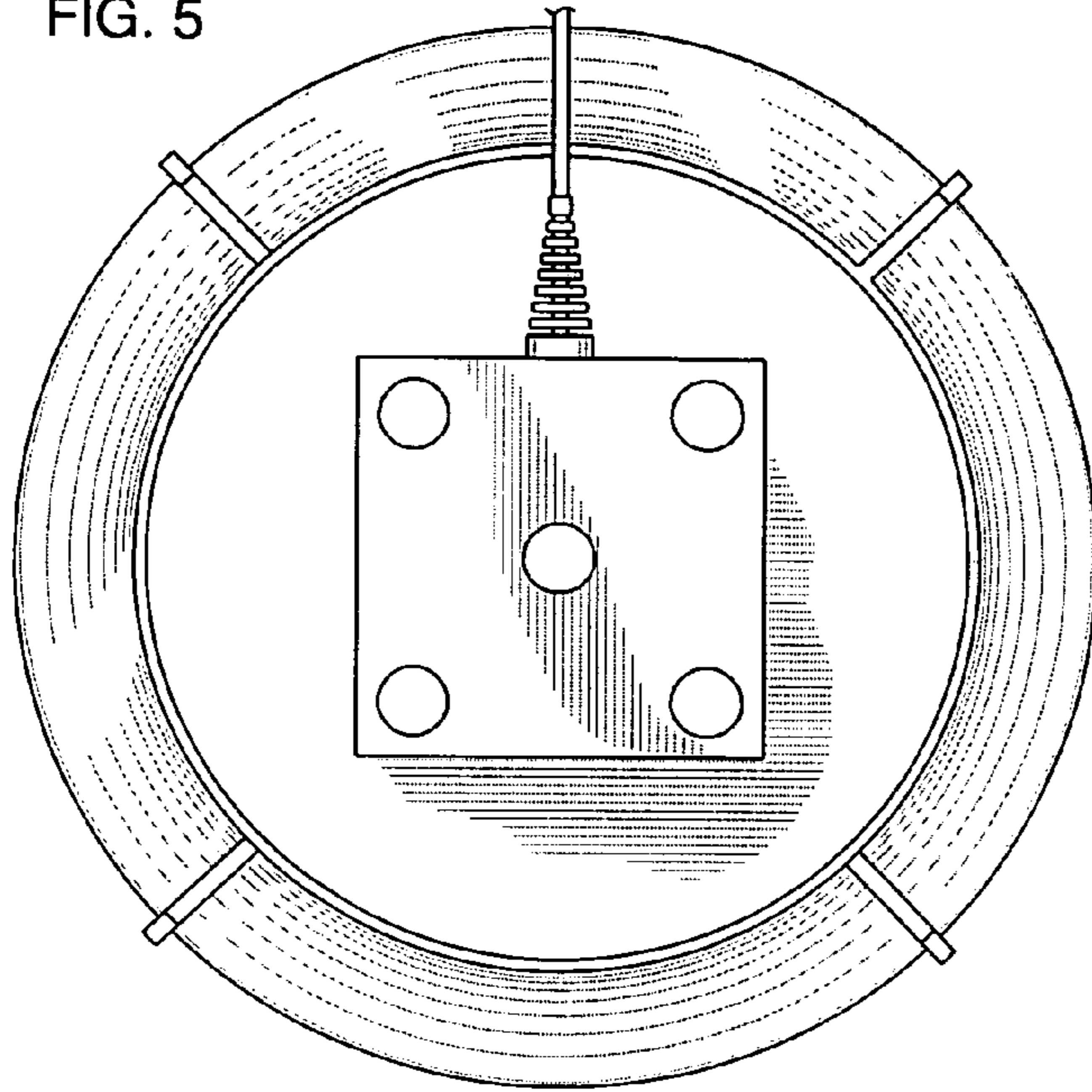


FIG. 6

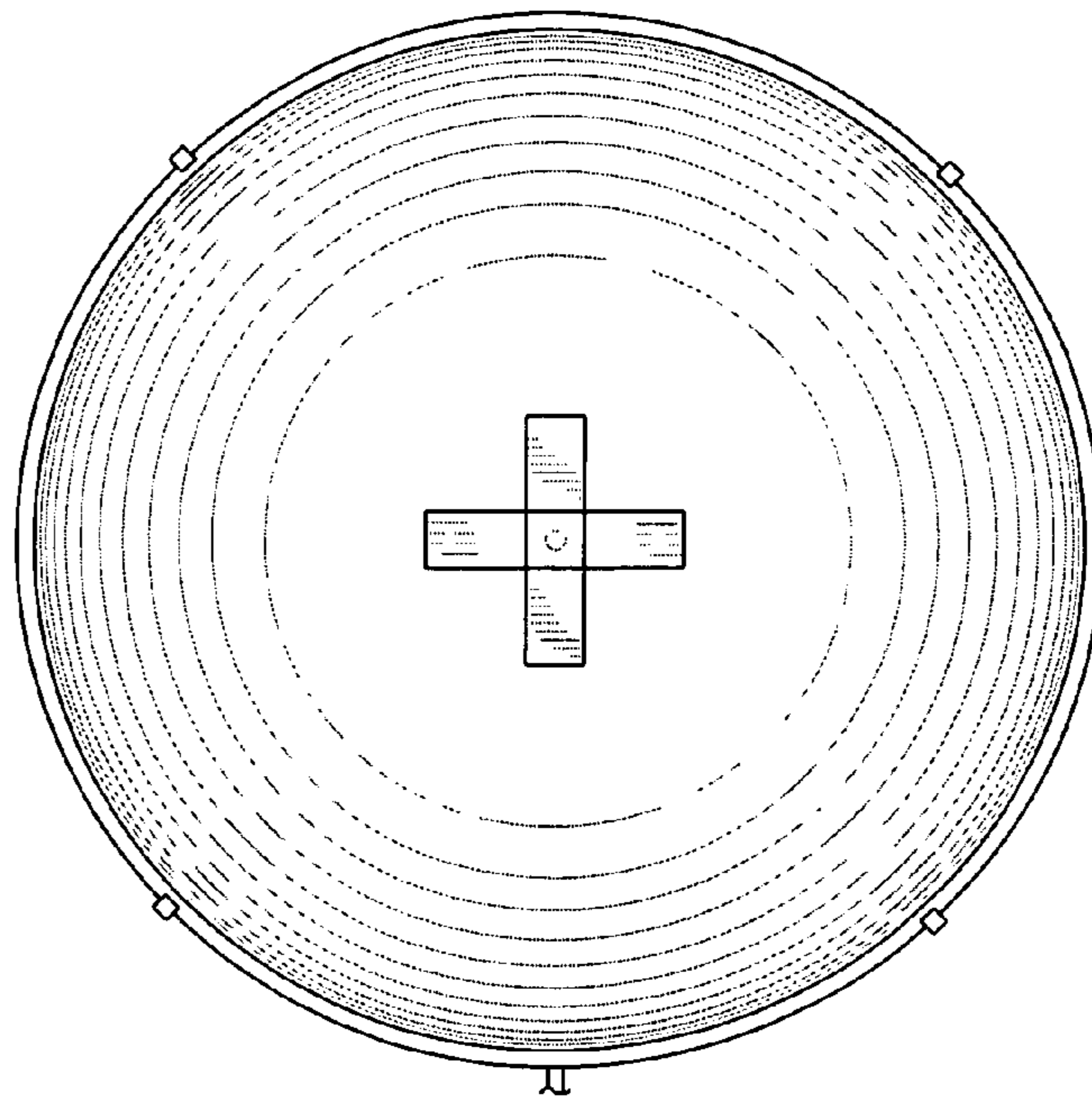


FIG. 7

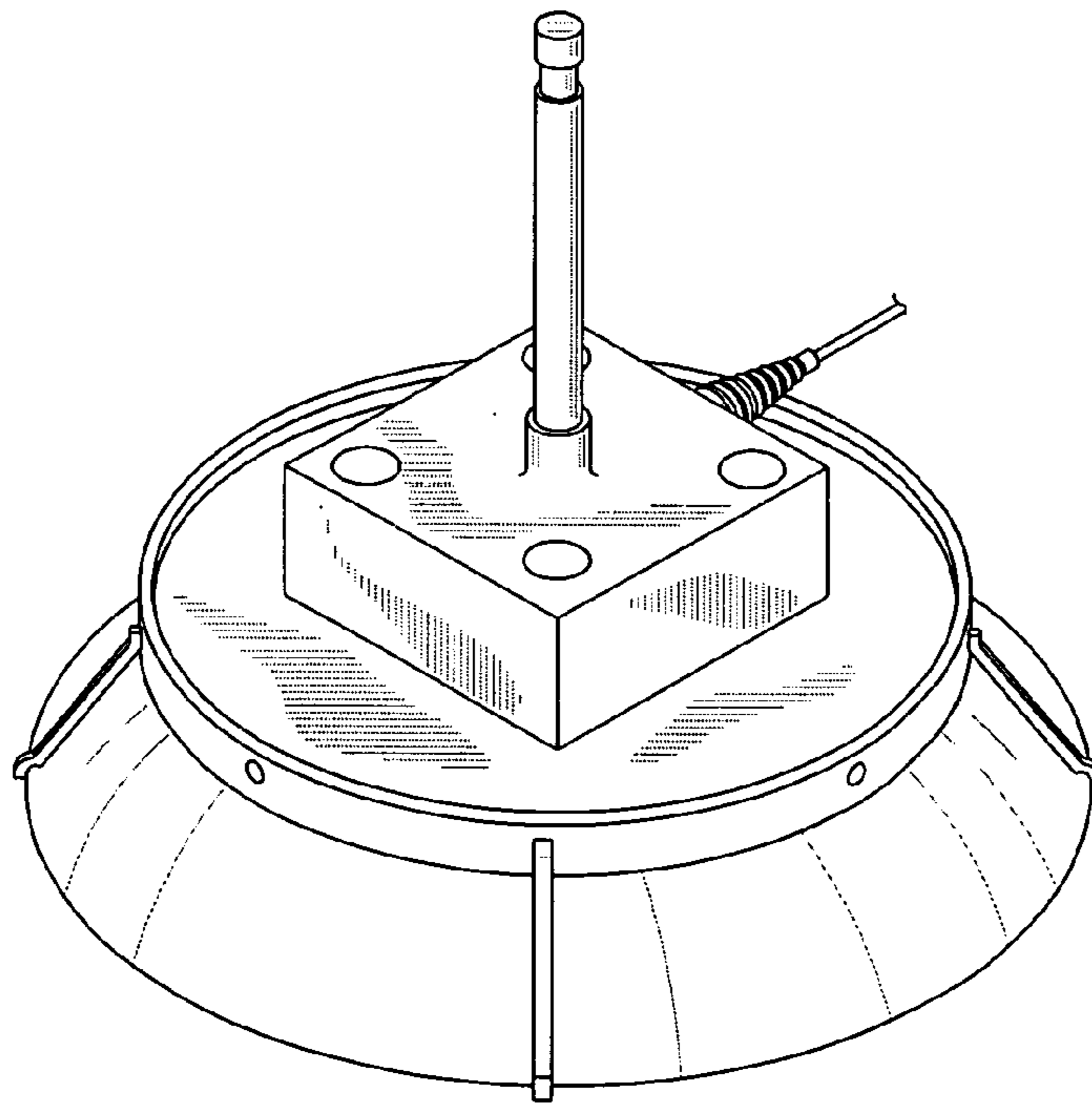


FIG. 8

