



US00D697247S

(12) **United States Design Patent**  
**Mollaghaffari**

(10) **Patent No.:** **US D697,247 S**  
(45) **Date of Patent:** **\*\* Jan. 7, 2014**

(54) **LED LIGHTING ASSEMBLY**

(75) Inventor: **Massoud Mollaghaffari**, Portland, OR  
(US)

(73) Assignee: **PHC Northwest, Inc.**

(\*\*) Term: **14 Years**

(21) Appl. No.: **29/412,199**

(22) Filed: **Jan. 31, 2012**

(51) **LOC (10) Cl.** ..... **26-03**

(52) **U.S. Cl.**  
USPC ..... **D26/76**

(58) **Field of Classification Search**  
USPC ..... D26/1-3, 24, 56, 72, 74-86, 88-91;  
D13/180, 182; 362/150,  
362/217.01-217.05, 217.08, 217.09, 260,  
362/364, 365, 366, 404, 555, 576, 800  
See application file for complete search history.

(56) **References Cited**

**U.S. PATENT DOCUMENTS**

D500,882 S \* 1/2005 Herst et al. .... D26/118  
D520,172 S \* 5/2006 Engel ..... D26/76  
D558,379 S \* 12/2007 Citterio ..... D26/76  
D595,443 S \* 6/2009 Tran et al. .... D26/76

D612,528 S \* 3/2010 McGrath et al. .... D26/76  
D635,708 S \* 4/2011 Zheng ..... D26/78  
D670,851 S \* 11/2012 Tsai ..... D26/76

\* cited by examiner

*Primary Examiner* — Zenia Bennett

(74) *Attorney, Agent, or Firm* — Baumgartner Patent Law;  
Marc Baumgartner

(57) **CLAIM**

The ornamental design for an LED lighting assembly, as shown and described.

**DESCRIPTION**

FIG. 1 is a perspective view of the LED lighting assembly.  
FIG. 2 is a close-up perspective view of the LED lighting assembly.

FIG. 3 is a front side view of the LED lighting assembly.

FIG. 4 is a back side view of the LED lighting assembly.

FIG. 5 is a left side view of the LED lighting assembly.

FIG. 6 is a close-up left side view of the LED lighting assembly.

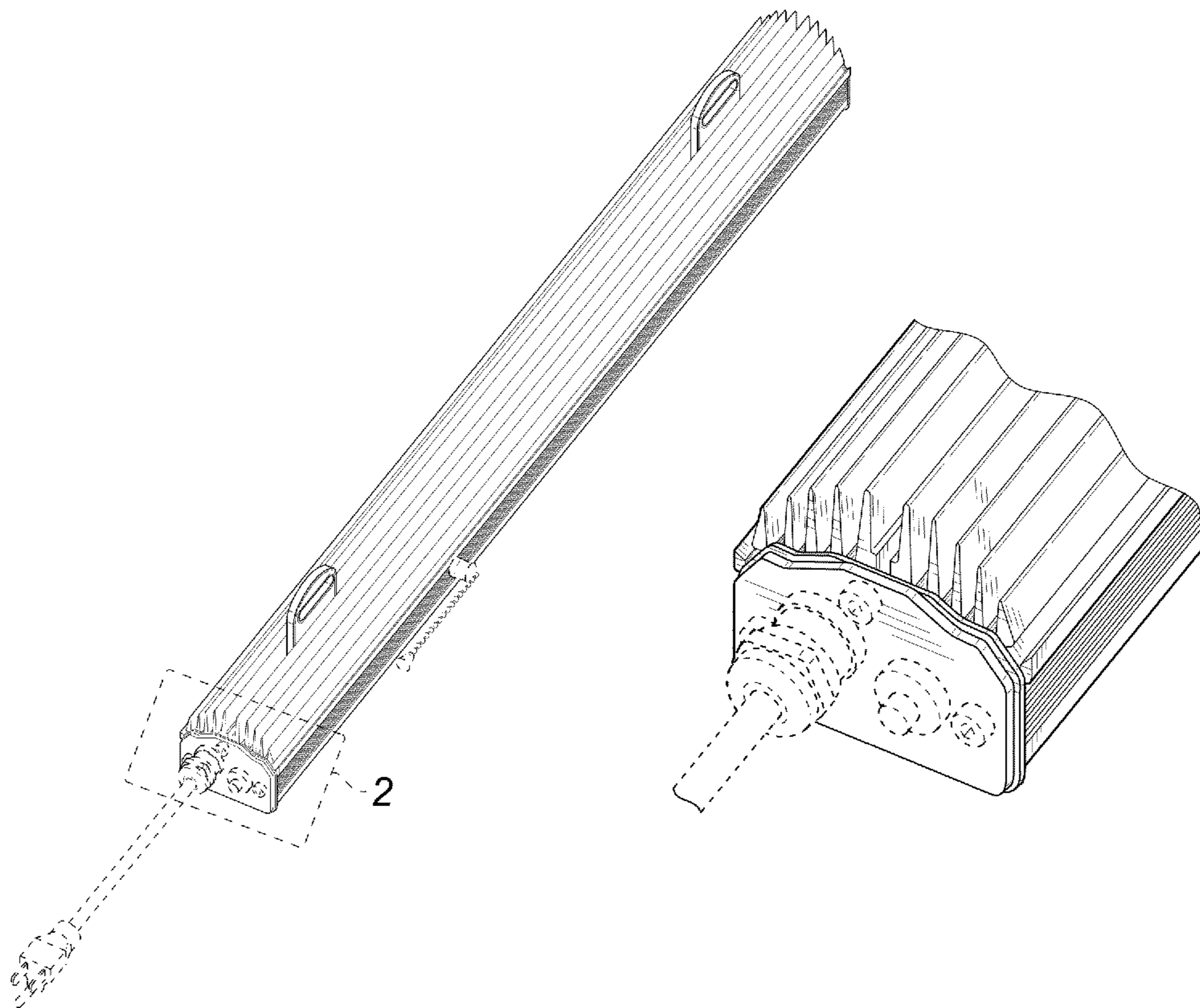
FIG. 7 is a right side view of the LED lighting assembly.

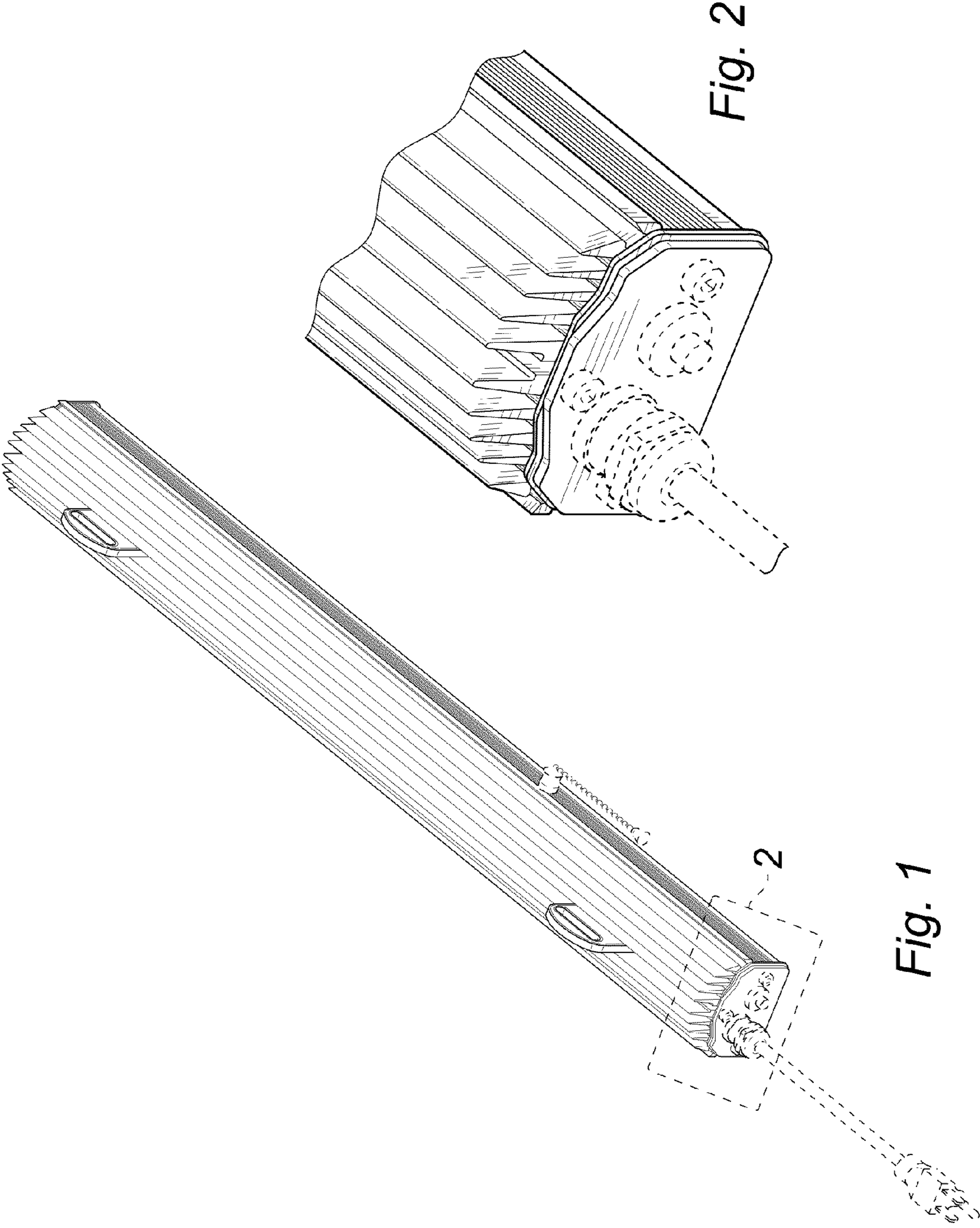
FIG. 8 is a top side view of the LED lighting assembly; and,

FIG. 9 is a bottom side view of the LED lighting assembly.

The broken lines in the drawings depict portions that are not part of the claimed design, but rather show the environment in which the design is associated.

**1 Claim, 4 Drawing Sheets**





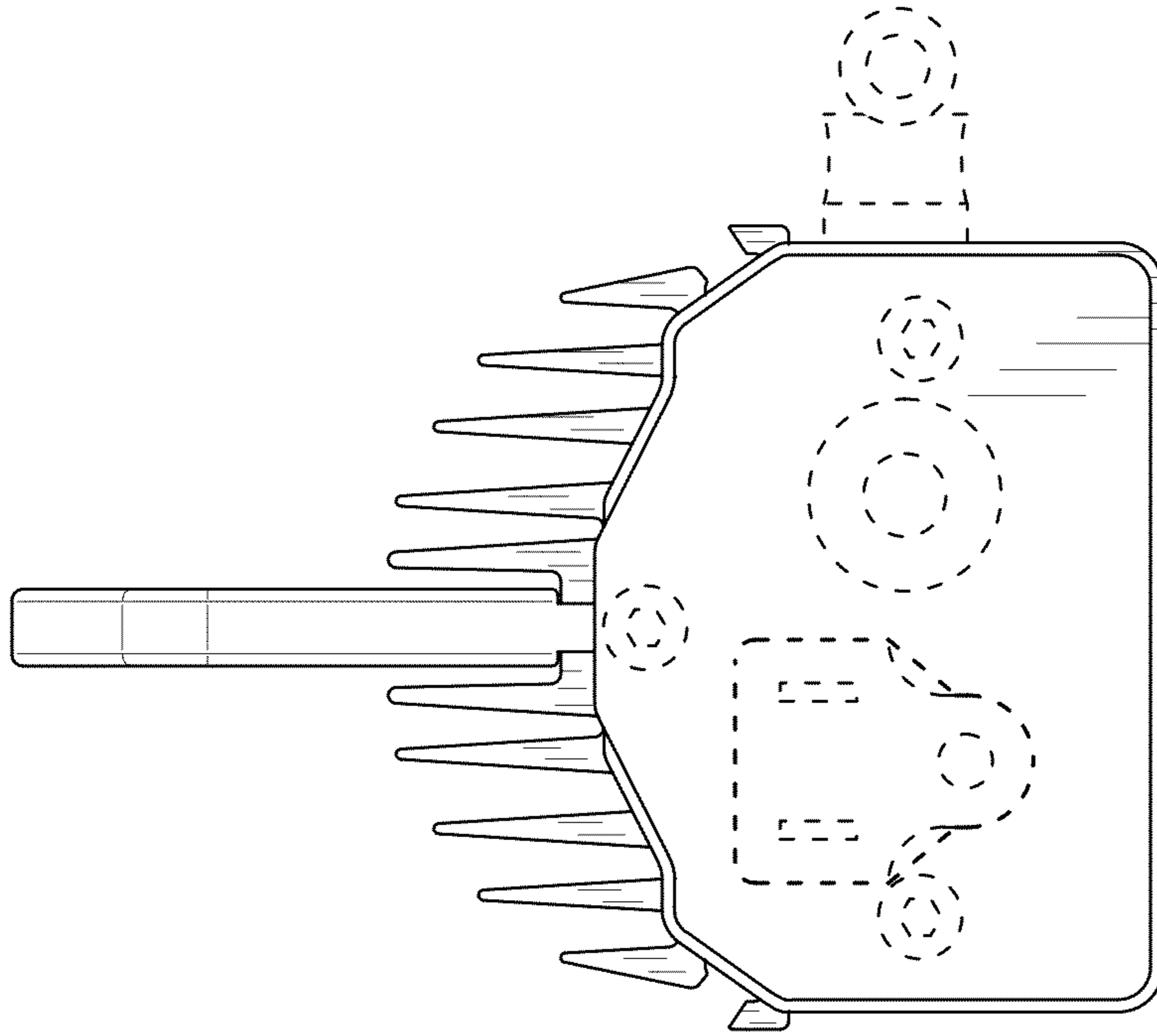


Fig. 4

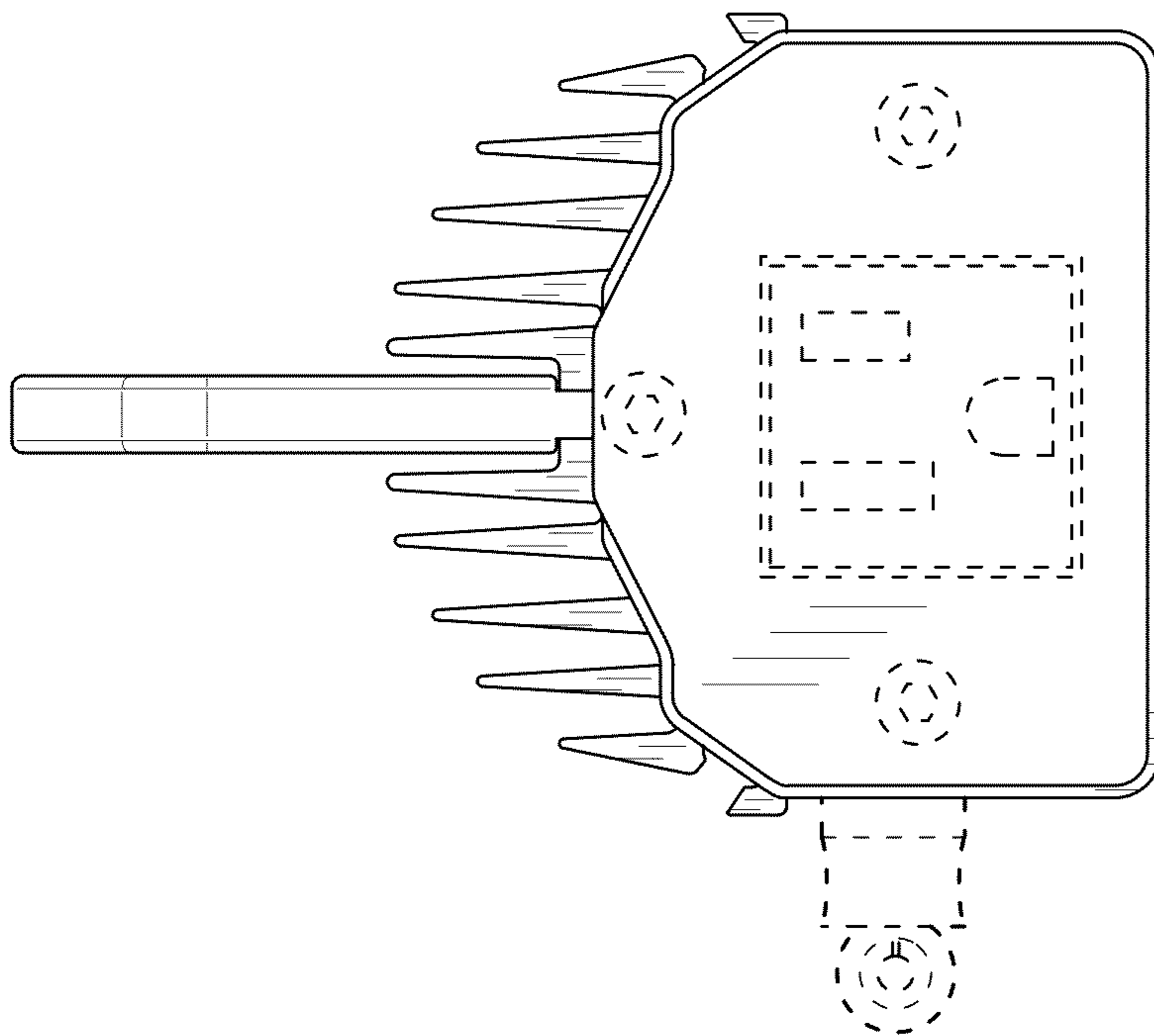


Fig. 3

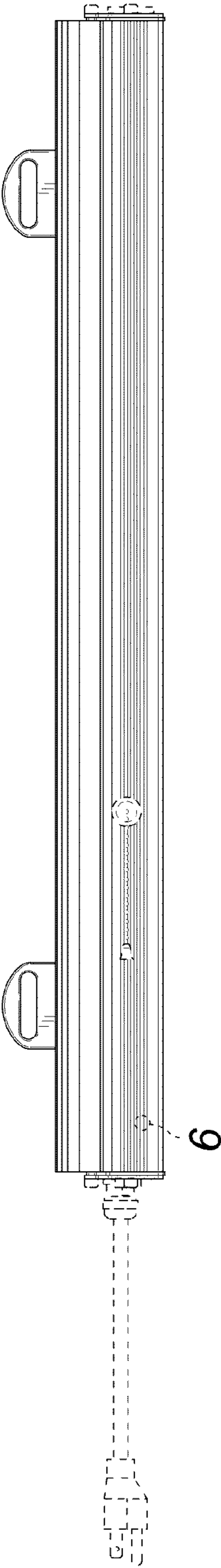


Fig. 5

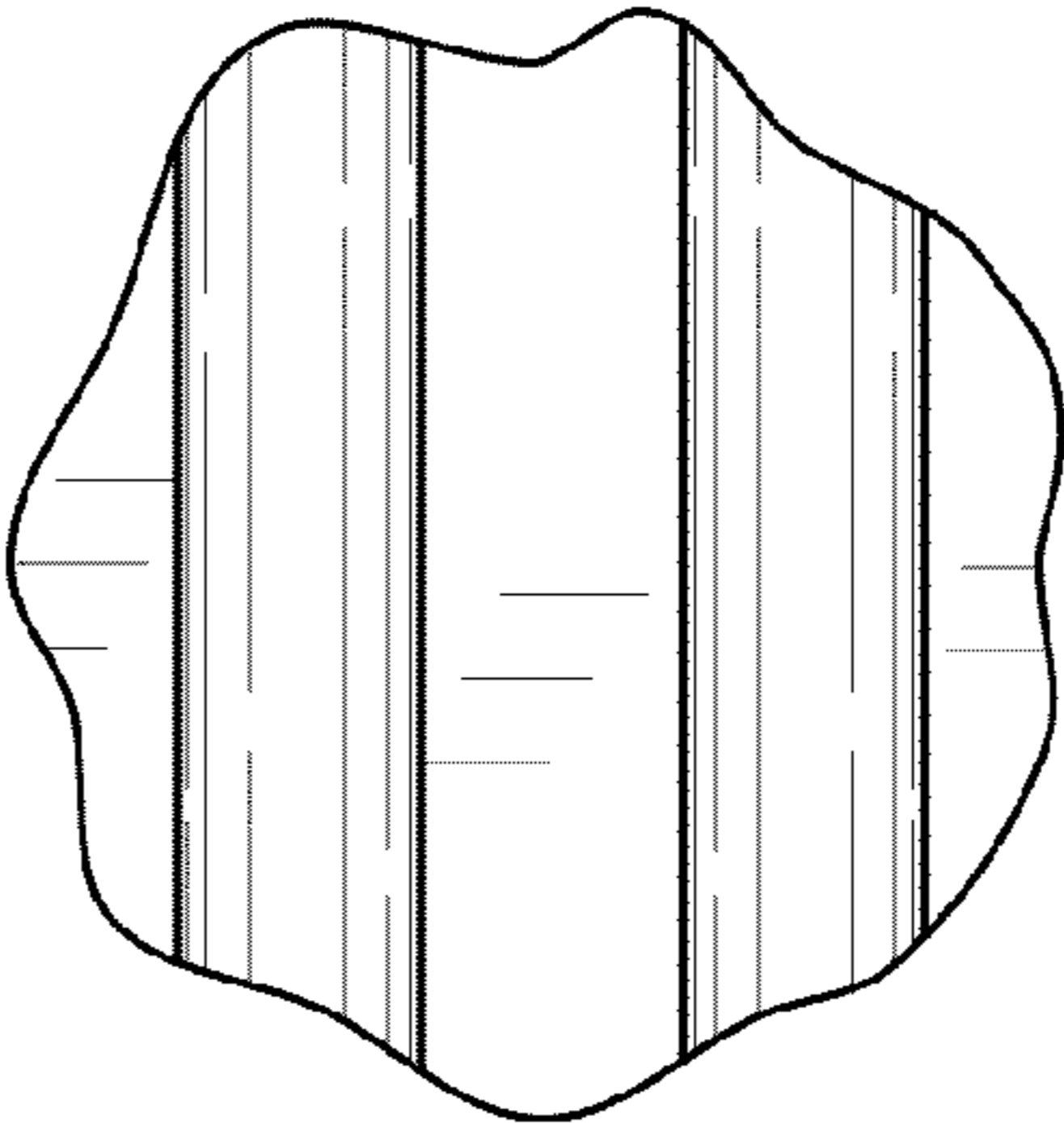


Fig. 6

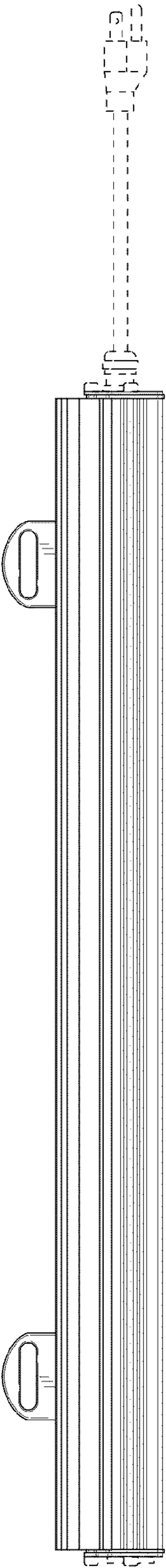


Fig. 7

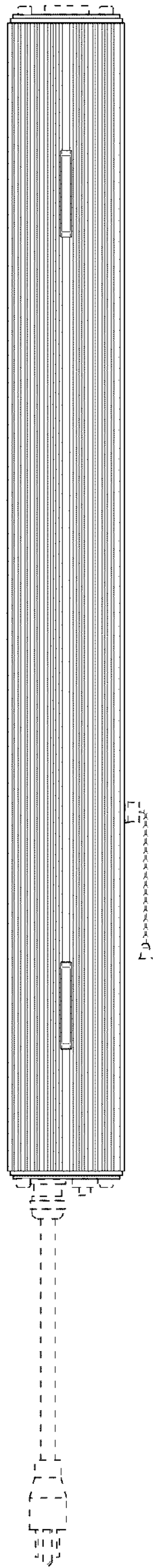


Fig. 8

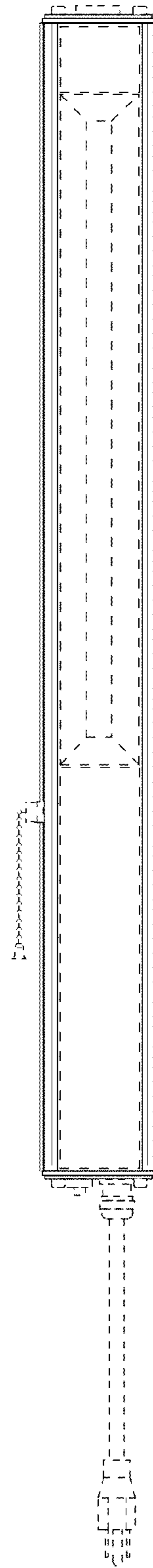


Fig. 9