

US00D697245S

(12) **United States Design Patent**  
**Thomas et al.**

(10) **Patent No.:** **US D697,245 S**  
(45) **Date of Patent:** **\*\* Jan. 7, 2014**

(54) **TRACK LIGHT FIXTURE**  
(75) Inventors: **James Thomas**, Tierra Verde, FL (US);  
**Vladimir Volochine**, Safety Harbor, FL (US)

(73) Assignee: **Electraled, Inc.**, Largo, FL (US)

(\*\*) Term: **14 Years**

(21) Appl. No.: **29/405,921**

(22) Filed: **Nov. 8, 2011**

(51) **LOC (10) Cl.** ..... **26-03**

(52) **U.S. Cl.**  
USPC ..... **D26/63**

(58) **Field of Classification Search**  
USPC ..... D26/24, 60–66, 72, 85, 92, 113,  
D26/118–119; 362/89, 217.01, 217.02,  
362/217.1, 217.14, 217.16, 220, 257,  
362/268–69, 275, 277, 282, 285, 310, 362,  
362/368, 370, 382, 404, 418, 425, 427, 432,  
362/457, 804, 549.04, 648  
See application file for complete search history.

(56) **References Cited**

U.S. PATENT DOCUMENTS

|               |         |               |       |         |
|---------------|---------|---------------|-------|---------|
| D290,754 S *  | 7/1987  | Kira          | ..... | D26/24  |
| 4,814,955 A * | 3/1989  | Price         | ..... | 362/275 |
| D323,565 S *  | 1/1992  | Woodgate      | ..... | D26/63  |
| D326,162 S *  | 5/1992  | Price         | ..... | D26/63  |
| 6,135,615 A * | 10/2000 | Lee           | ..... | 362/648 |
| D442,309 S *  | 5/2001  | Miller et al. | ..... | D26/63  |
| D491,684 S *  | 6/2004  | McInnis       | ..... | D26/63  |

|              |         |                    |       |        |
|--------------|---------|--------------------|-------|--------|
| D538,959 S * | 3/2007  | Kosche             | ..... | D26/63 |
| D541,456 S * | 4/2007  | Kosche             | ..... | D26/63 |
| D589,189 S * | 3/2009  | Sabernig           | ..... | D26/63 |
| D616,118 S   | 5/2010  | Thomas et al.      |       |        |
| D624,214 S   | 9/2010  | Thomas et al.      |       |        |
| D625,450 S * | 10/2010 | Rosenkrantz et al. | ..... | D26/61 |
| 8,235,555 B2 | 8/2012  | Thomas et al.      |       |        |
| D671,252 S * | 11/2012 | You                | ..... | D26/63 |

\* cited by examiner

*Primary Examiner* — Brian N Vinson

(74) *Attorney, Agent, or Firm* — McDermott, Will & Emery LLP

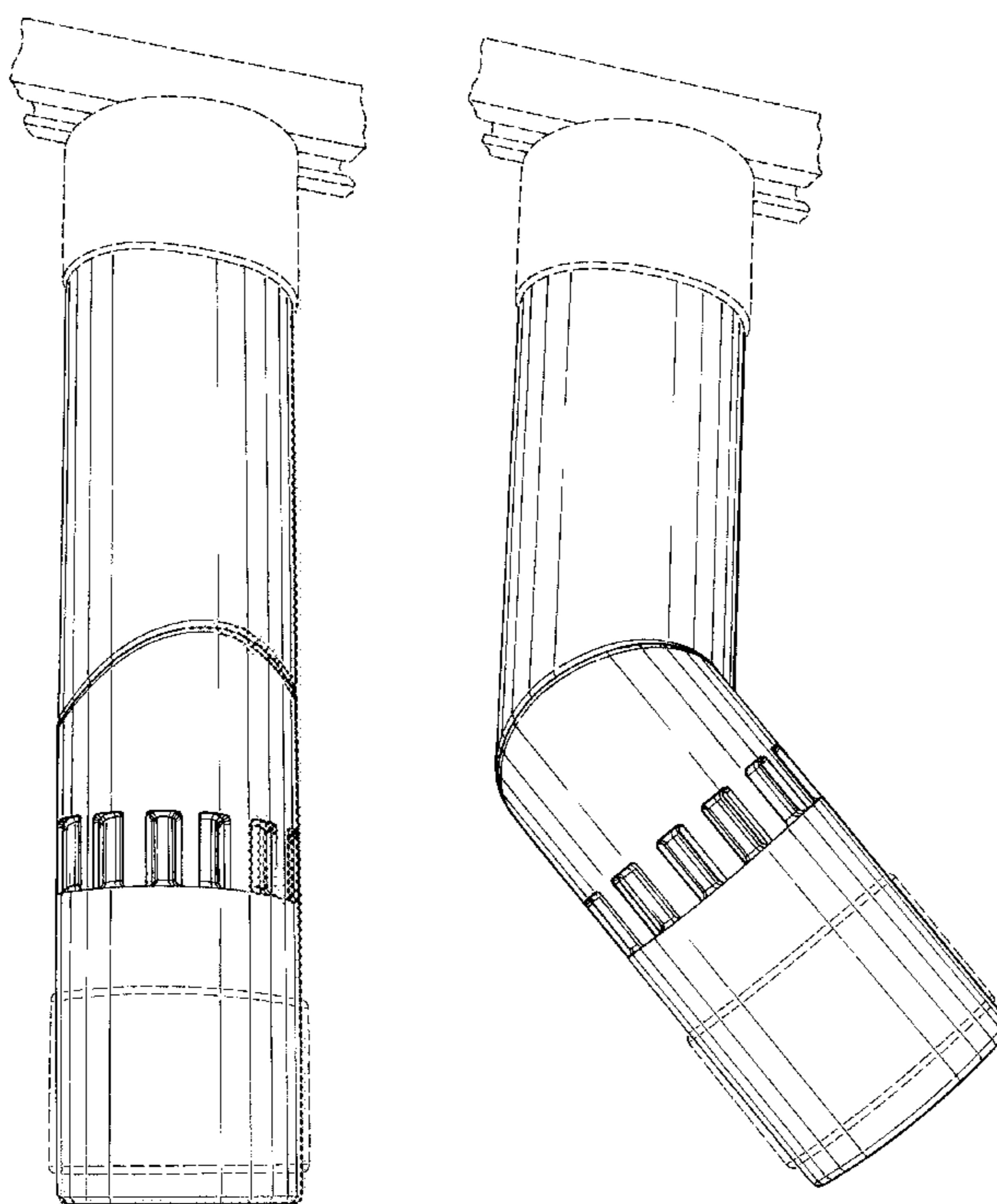
(57) **CLAIM**

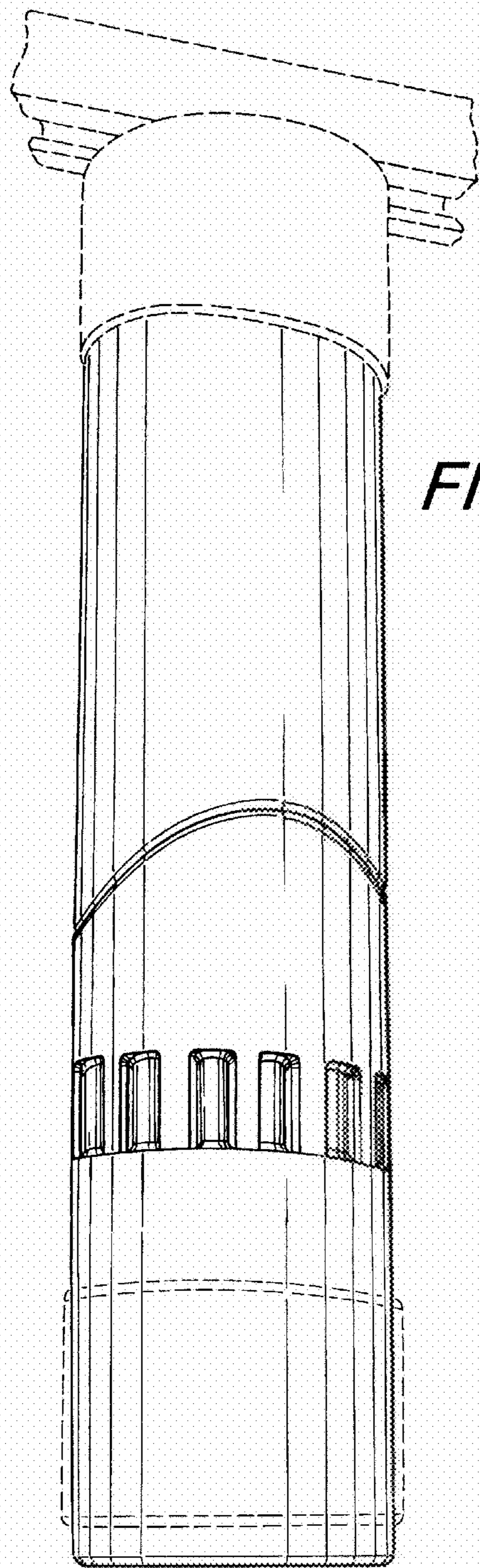
The ornamental design for a track light fixture, as shown and described.

**DESCRIPTION**

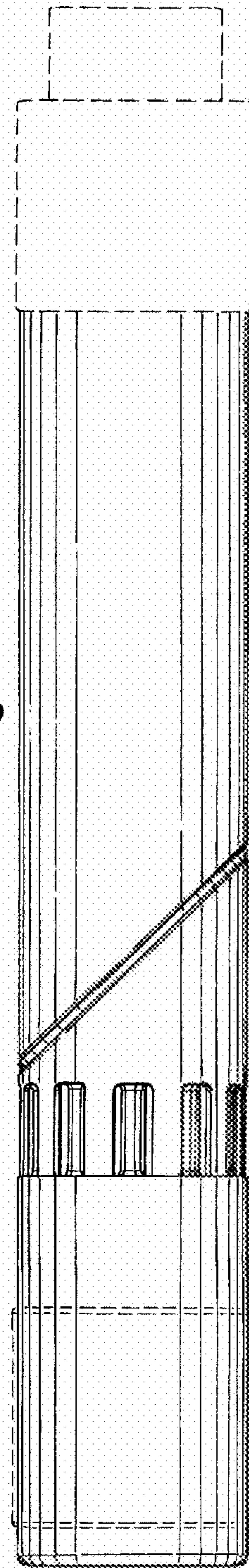
FIG. 1 is a perspective view of track light fixture showing our new design;  
FIG. 2 is a front elevational view thereof;  
FIG. 3 is a first side elevational view thereof;  
FIG. 4 is a bottom plan view thereof;  
FIG. 5 is a second side elevational view thereof;  
FIG. 6 is a perspective view thereof, shown in an angled position;  
FIG. 7 is an additional perspective view thereof, shown in an angled position; and,  
FIG. 8 is a perspective view thereof, shown in a different angled position.  
The broken-line disclosure illustrates portions of the fixture which form no part of the claimed design.

**1 Claim, 6 Drawing Sheets**



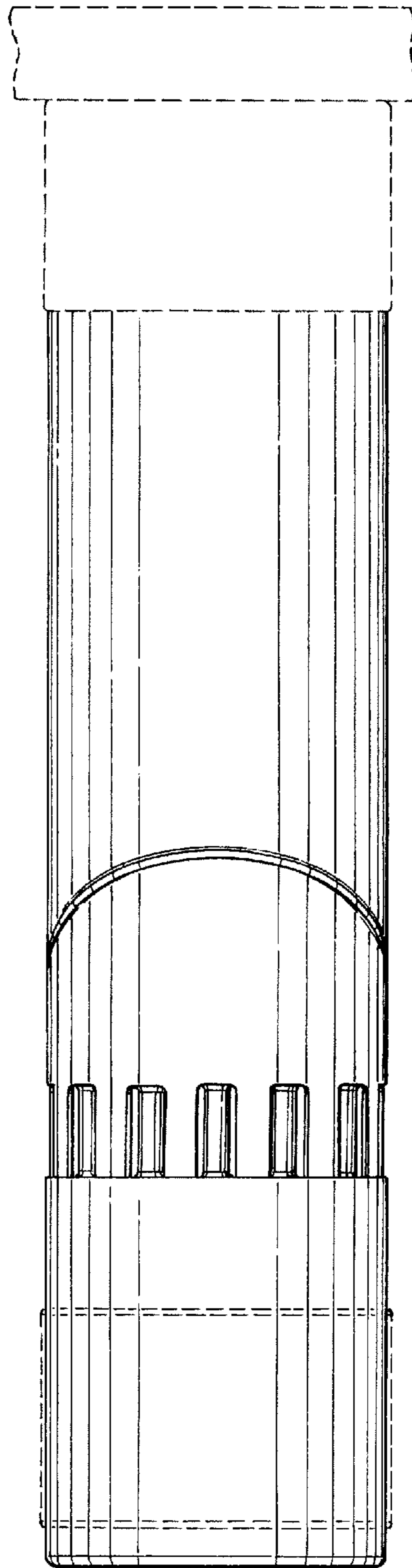


*FIG. 1*

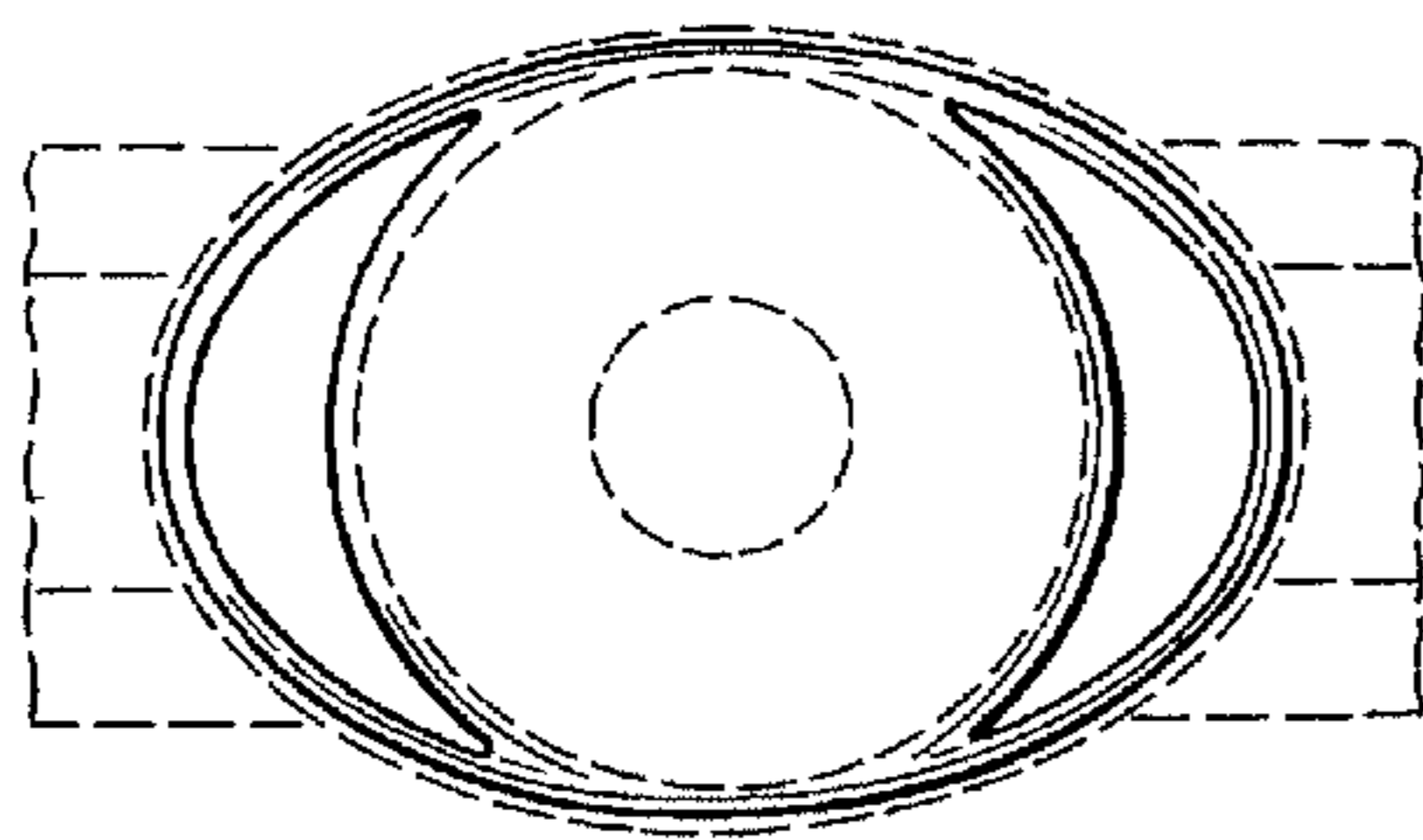


*FIG. 2*

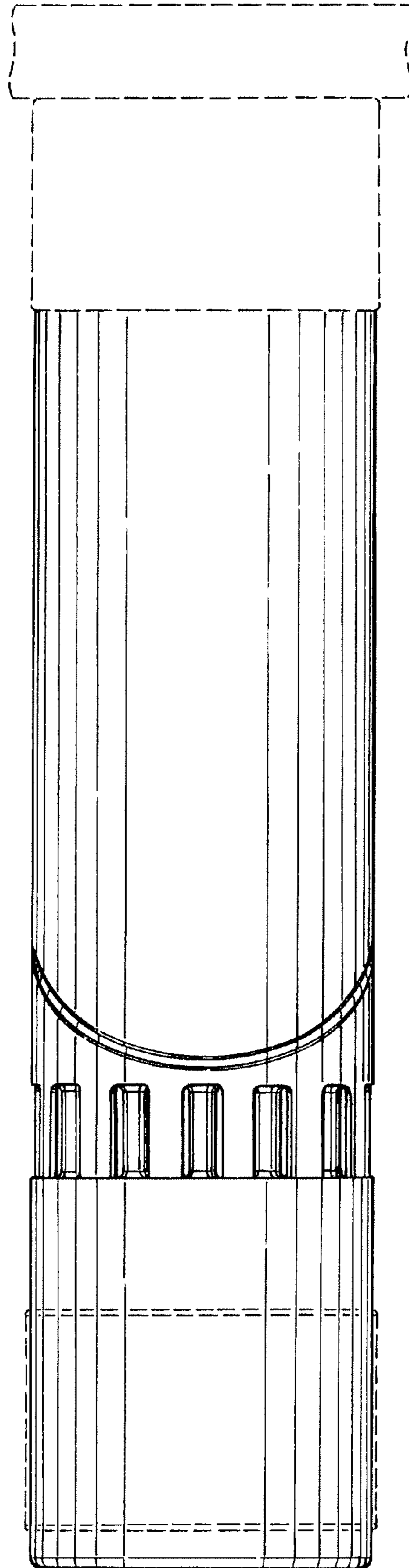
*FIG. 3*

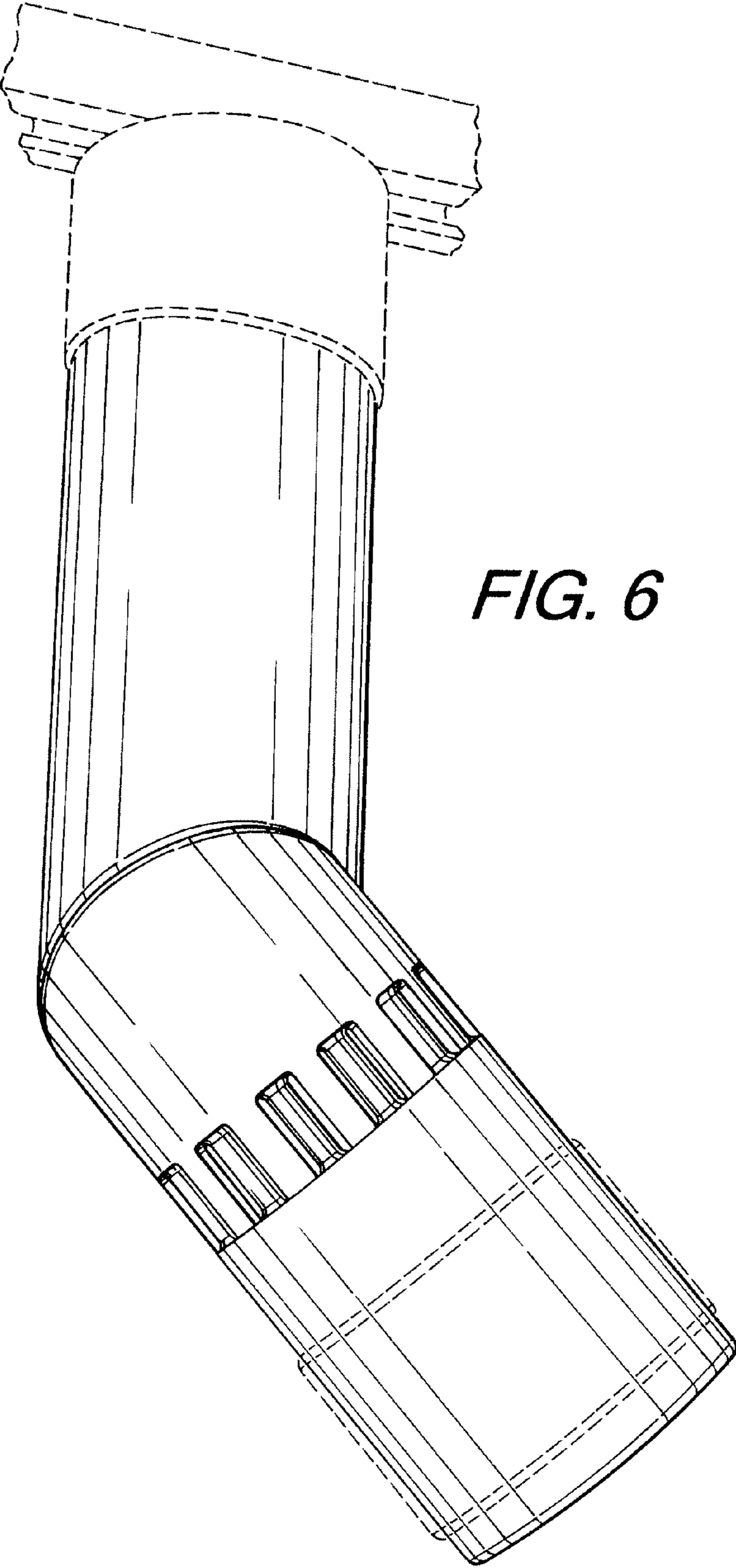


*FIG. 4*

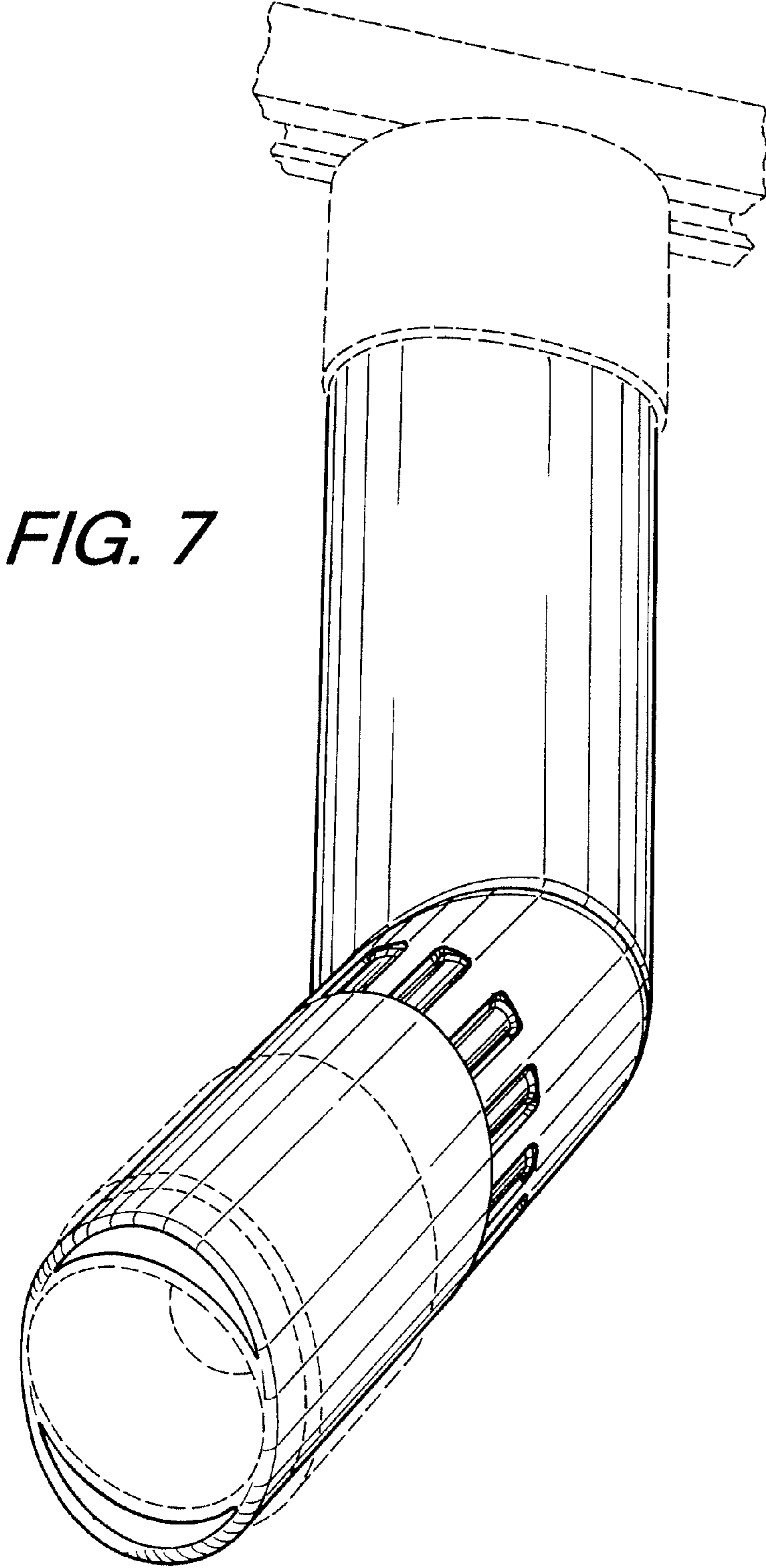


*FIG. 5*

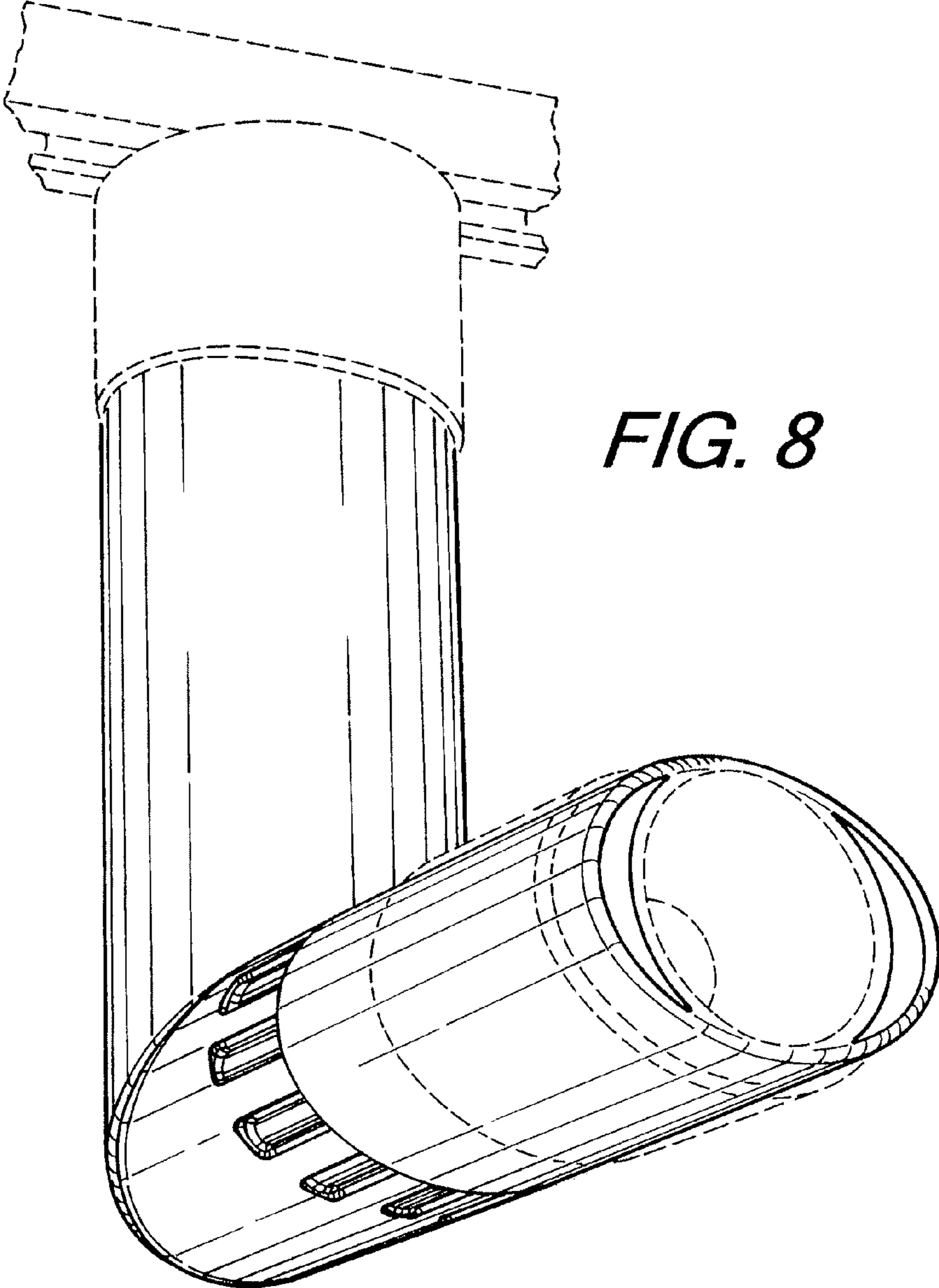




*FIG. 6*



*FIG. 7*



*FIG. 8*