



US00D697244S

(12) **United States Design Patent**  
**McKechnie et al.**

(10) **Patent No.:** **US D697,244 S**  
(45) **Date of Patent:** **\*\* Jan. 7, 2014**

(54) **PORTABLE LIGHT**

(71) Applicant: **Knog Pty Ltd**, Richmond (AU)

(72) Inventors: **Malcolm McKechnie**, Richmond (AU);  
**Hugo Davidson**, Elsternwick (AU);  
**Jonathan Chan**, St. Kilda (AU); **Kynan Taylor**, Nunawading (AU); **Tim Besley**, Richmond (AU)

(73) Assignee: **Knog Pty Ltd** (AU)

(\*\*) Term: **14 Years**

(21) Appl. No.: **29/438,086**

(22) Filed: **Nov. 26, 2012**

(51) **LOC (10) Cl.** ..... **26-05**

(52) **U.S. Cl.**  
USPC ..... **D26/60**

(58) **Field of Classification Search**  
USPC ..... D26/28, 37, 39.44, 57, 73, 62-65, 29,  
D26/36, 38, 40, 46, 60, 61; 362/191,  
362/197-199, 396, 473-478  
See application file for complete search history.

(56) **References Cited**

**U.S. PATENT DOCUMENTS**

D528,678 S *	9/2006	Yen	.....	D26/28
7,850,329 B2 *	12/2010	Henry et al.	.....	362/191
D678,562 S *	3/2013	Chan	.....	D26/28
D679,040 S *	3/2013	Cen et al.	.....	D26/28
D685,510 S *	7/2013	Henry et al.	.....	D26/60

**FOREIGN PATENT DOCUMENTS**

CA 142030 2/2012

**OTHER PUBLICATIONS**

U.S. Appl. No. 29/414,544, filed Feb. 29, 2012, entitled "Light."  
U.S. Appl. No. 29/316,115, filed Aug. 25, 2009, entitled "Portable Light," as amended Jan. 7, 2010.

\* cited by examiner

*Primary Examiner* — Susan M Lee  
*Assistant Examiner* — Linda Brooks

(74) *Attorney, Agent, or Firm* — SAIDMAN DesignLaw Group

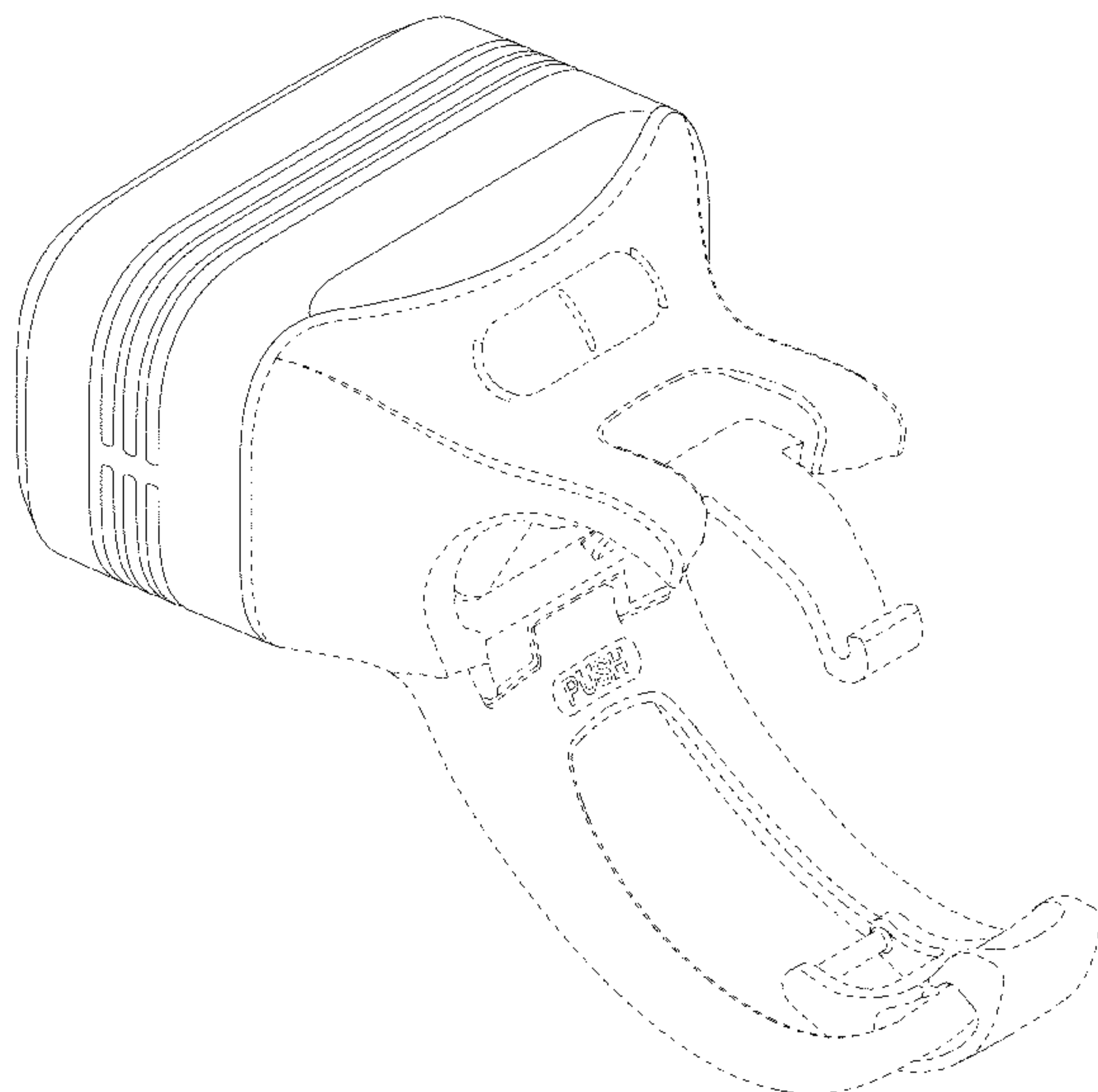
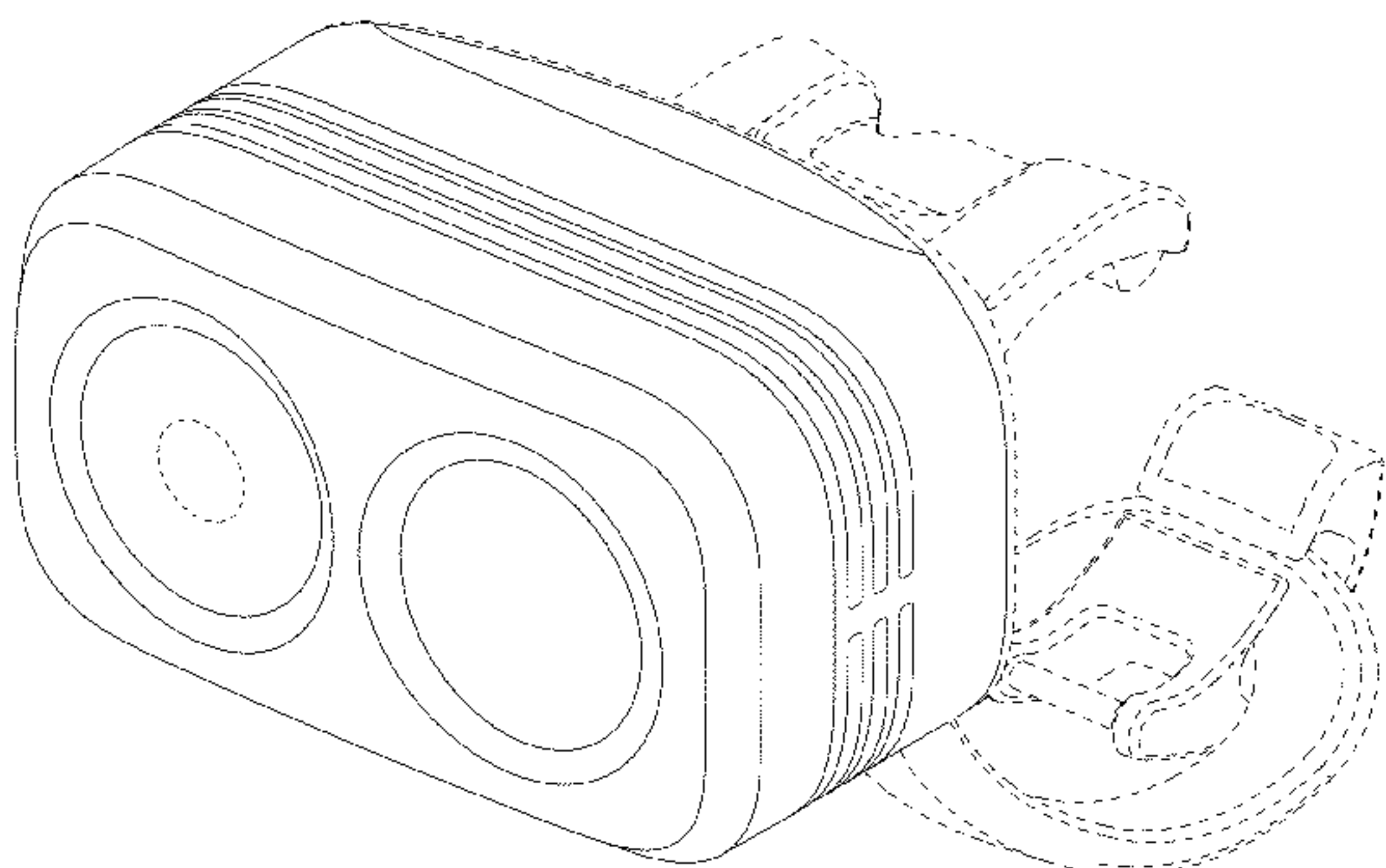
(57) **CLAIM**

The ornamental design for a portable light, as shown and described.

**DESCRIPTION**

FIG. 1 is a top, front perspective view of a portable light showing our new design;  
FIG. 2 is a front, plan view thereof;  
FIG. 3 is a rear, plan view thereof;  
FIG. 4 is a top, plan view thereof;  
FIG. 5 is a bottom, plan view thereof;  
FIG. 6 is a right side view thereof;  
FIG. 7 is a left side view thereof;  
FIG. 8 is a top, rear perspective view thereof;  
FIG. 9 is another top, front, perspective view thereof; and,  
FIG. 10 is another top, rear perspective view thereof.  
The broken lines illustrate environmental structure and form no part of the claimed design.

**1 Claim, 10 Drawing Sheets**



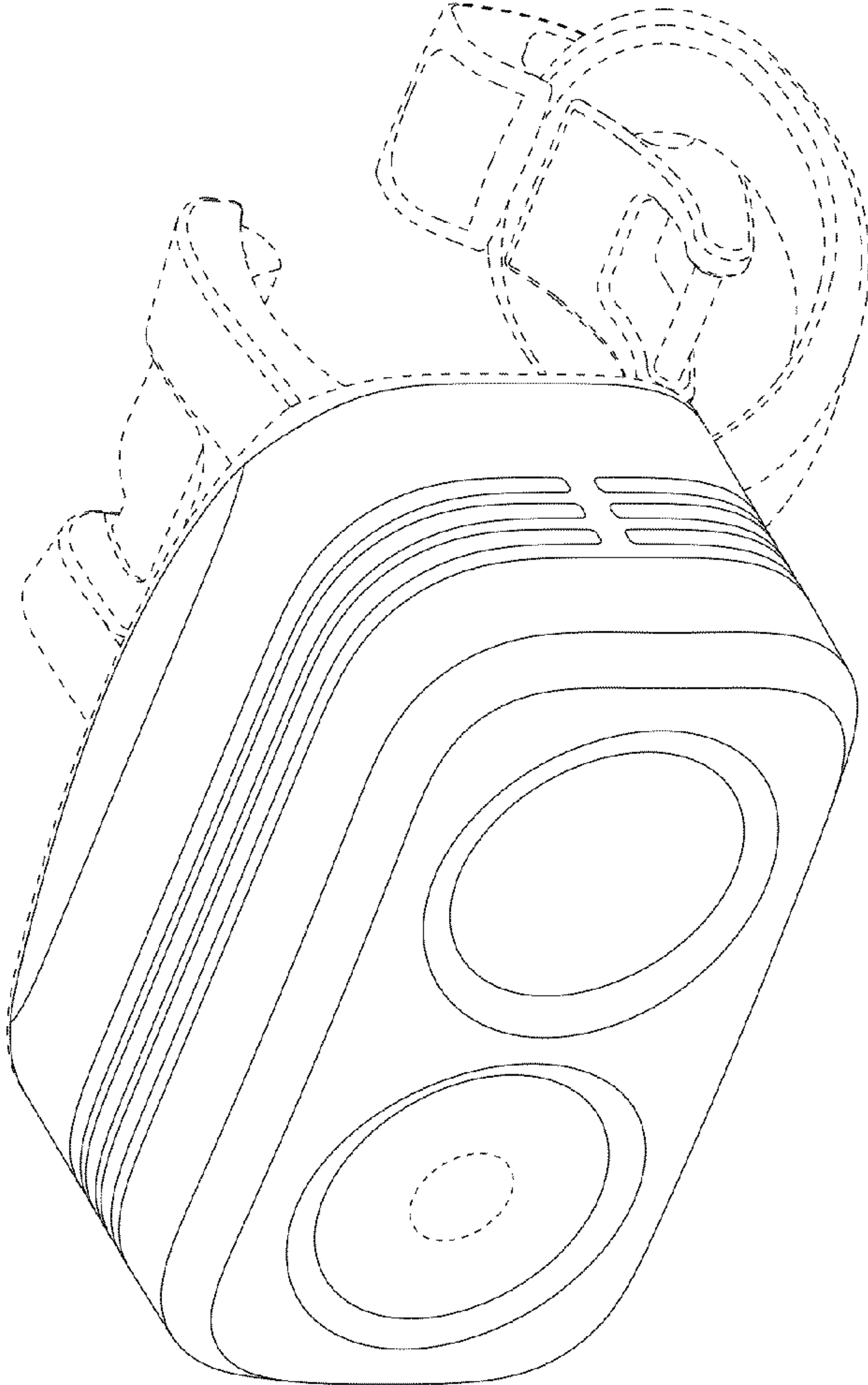


Figure 1

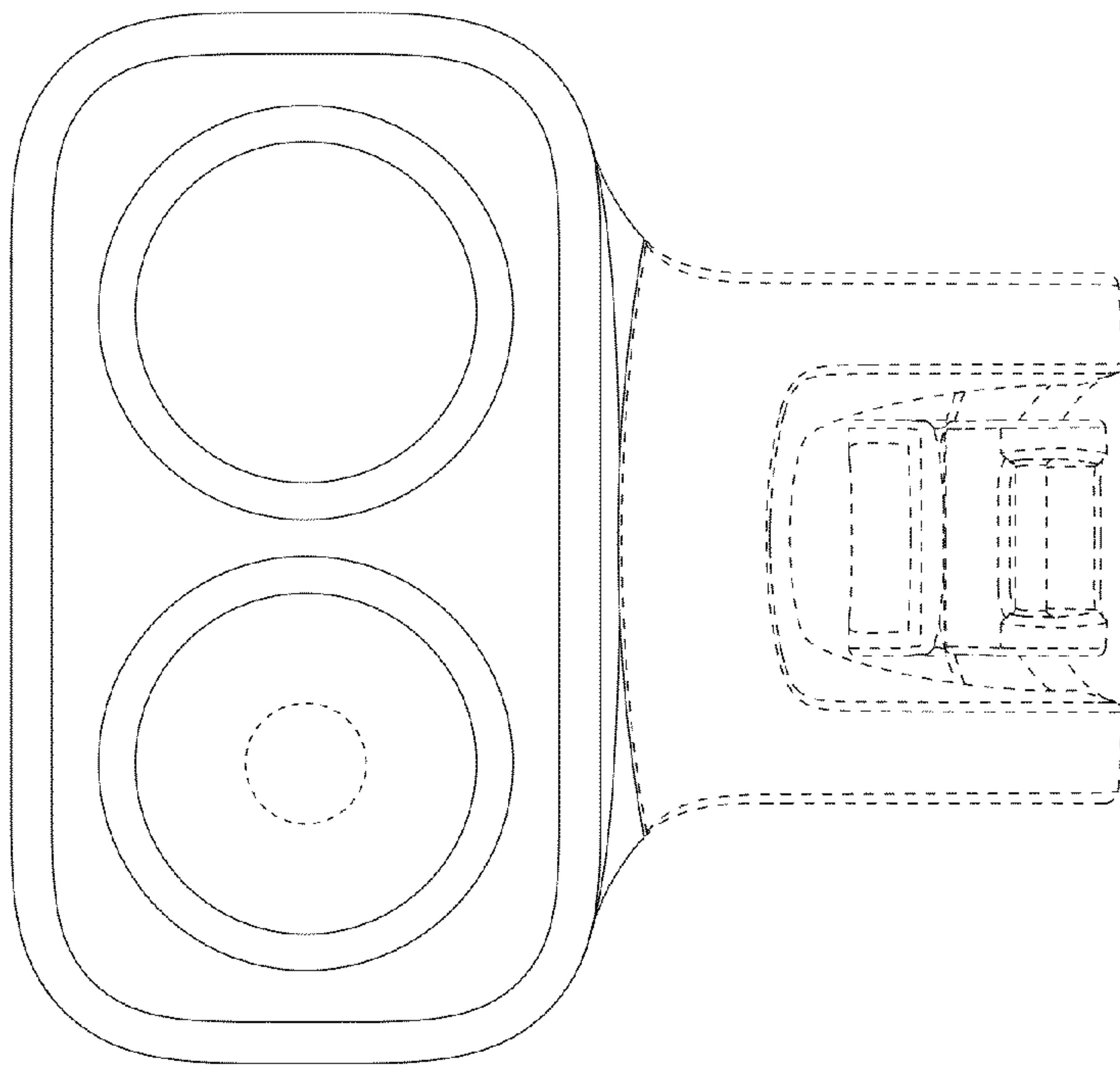


Figure 2

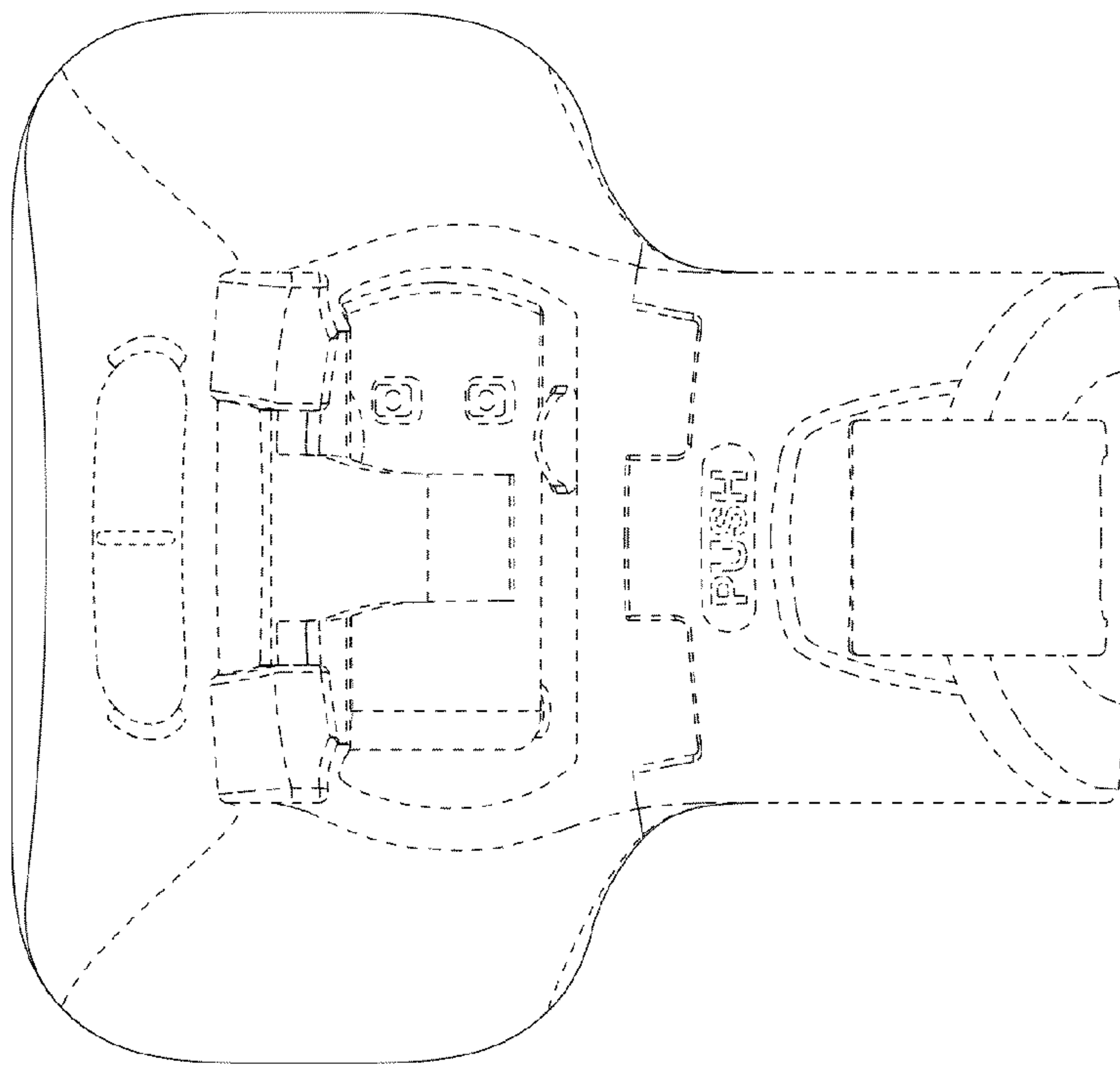


Figure 3

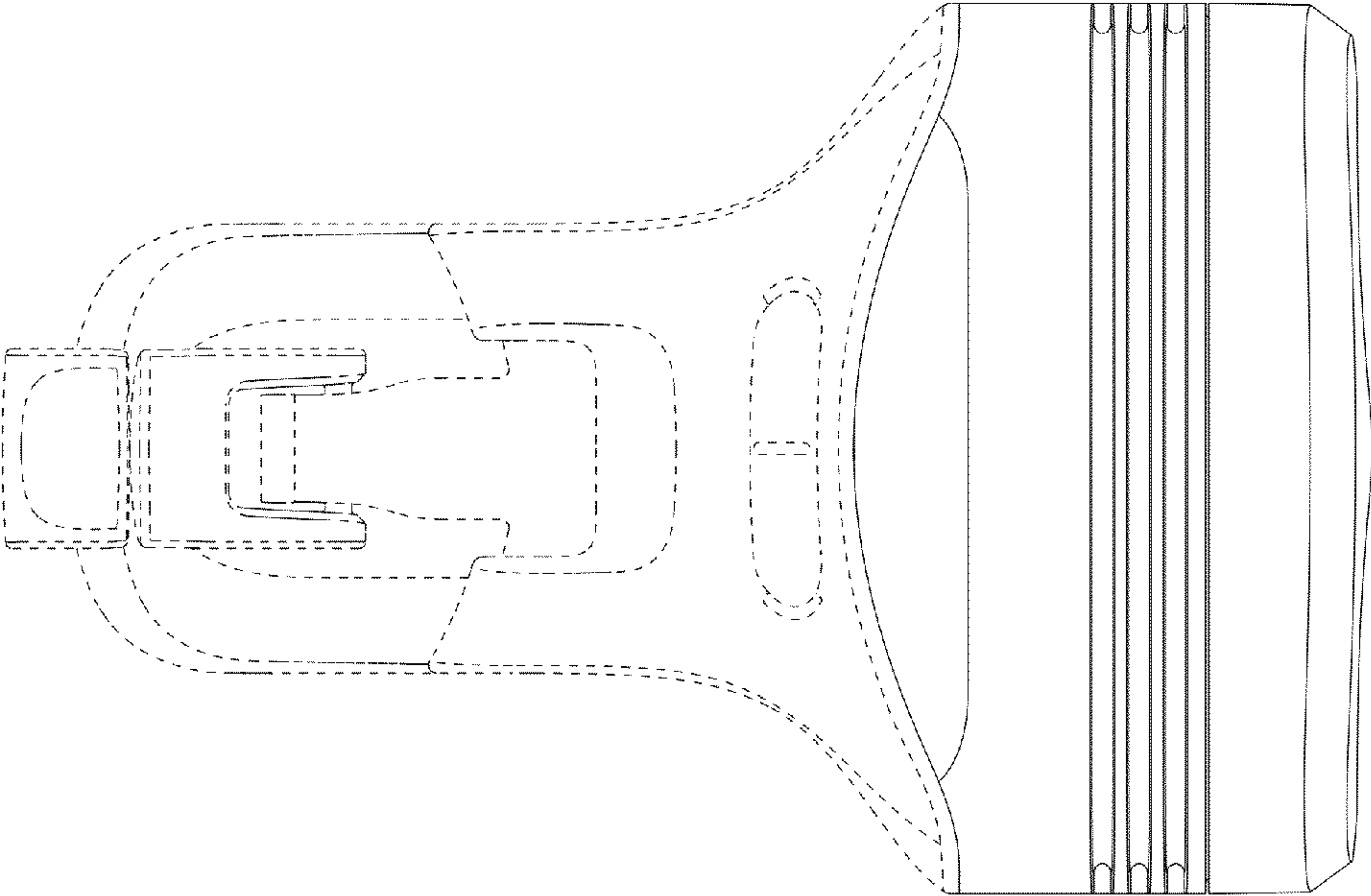


Figure 4

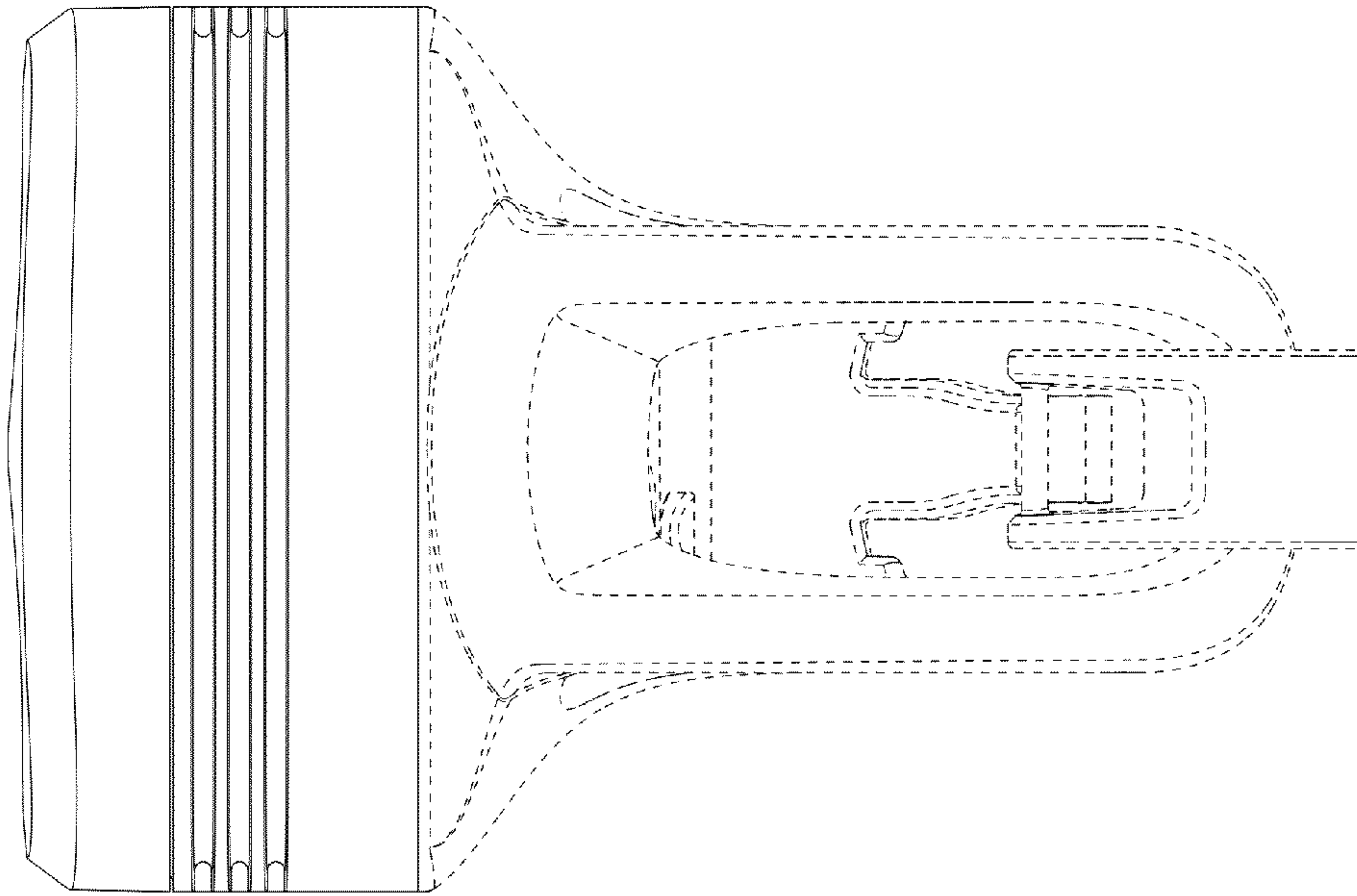


Figure 5



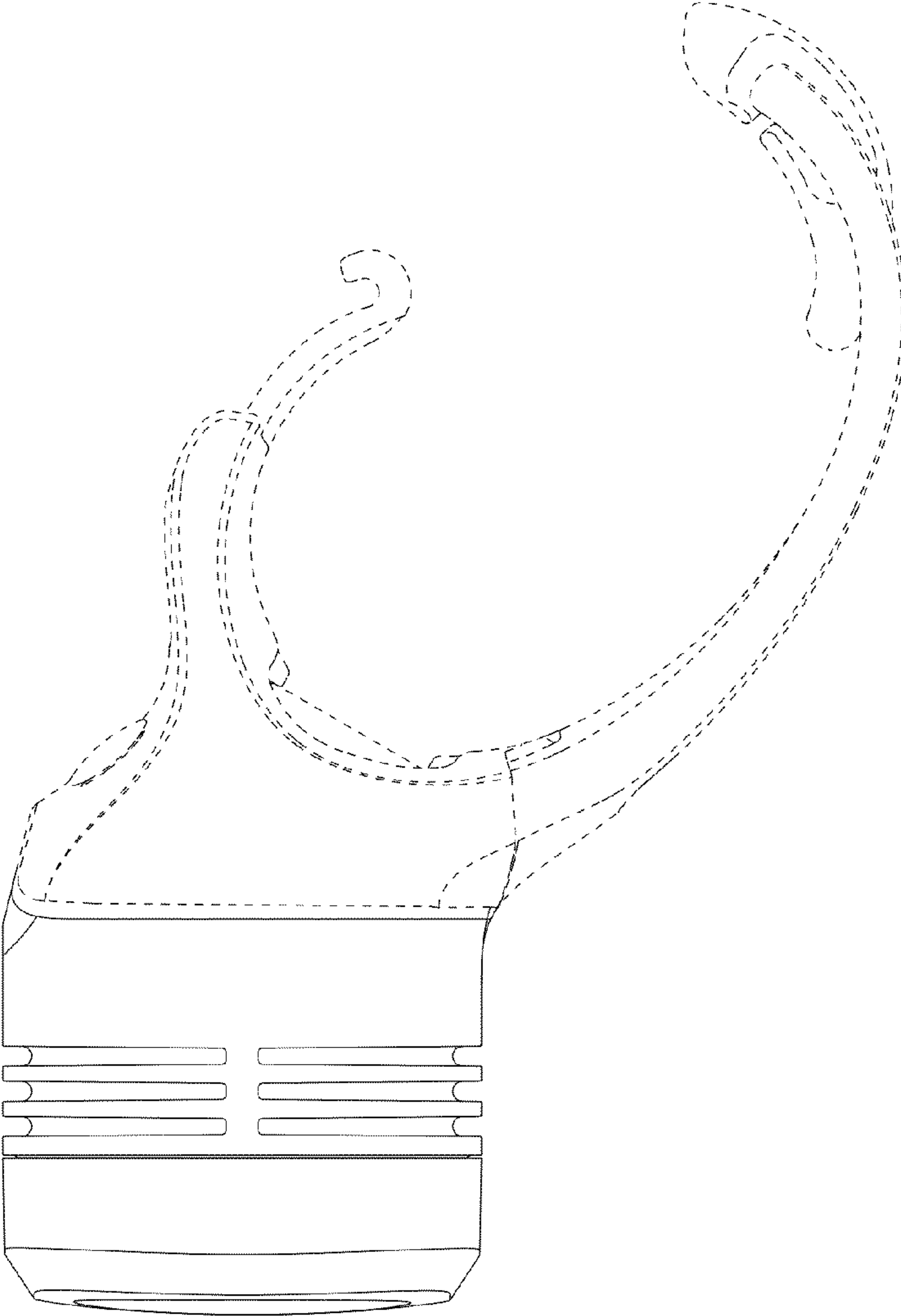


Figure 6

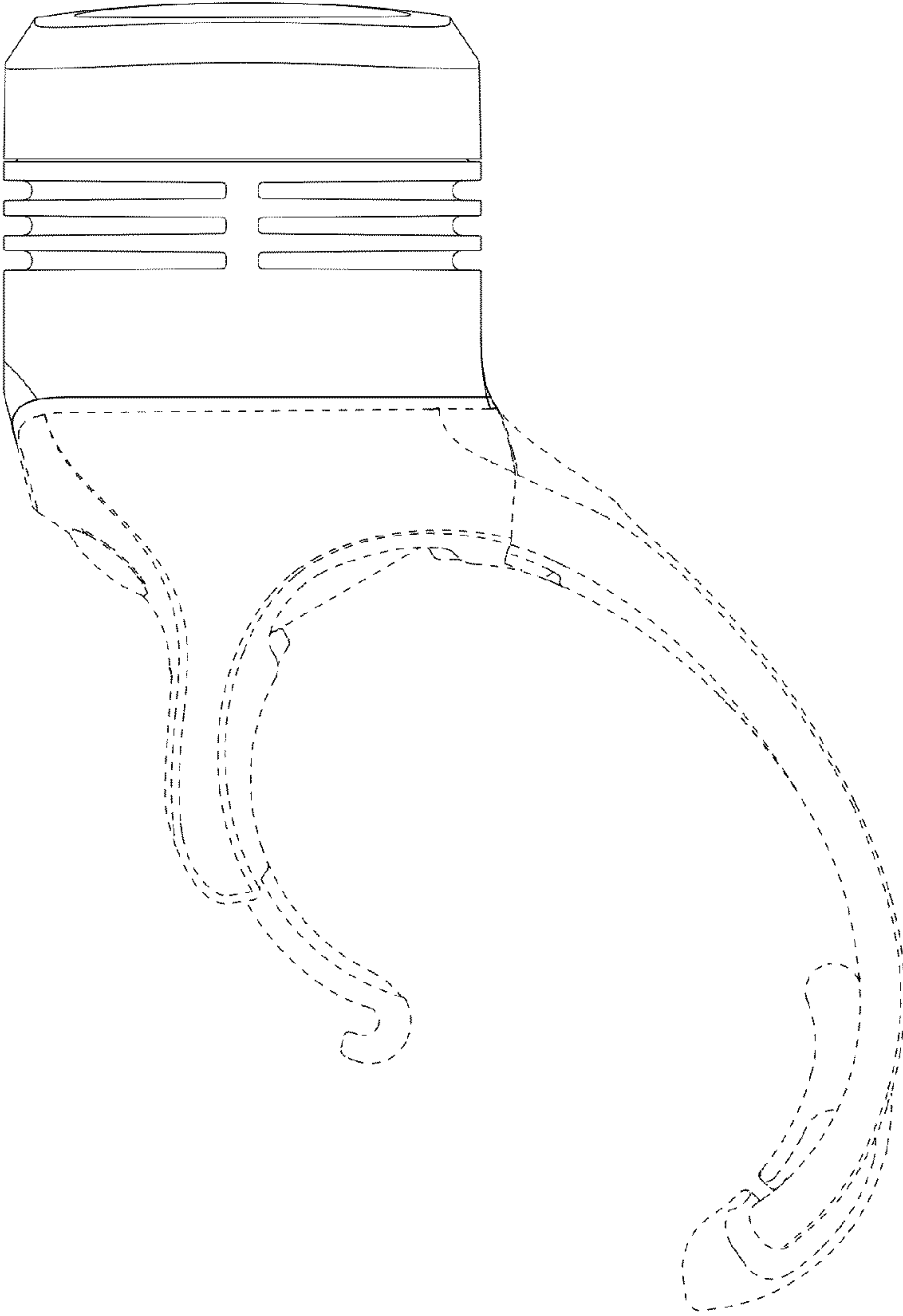


Figure 7



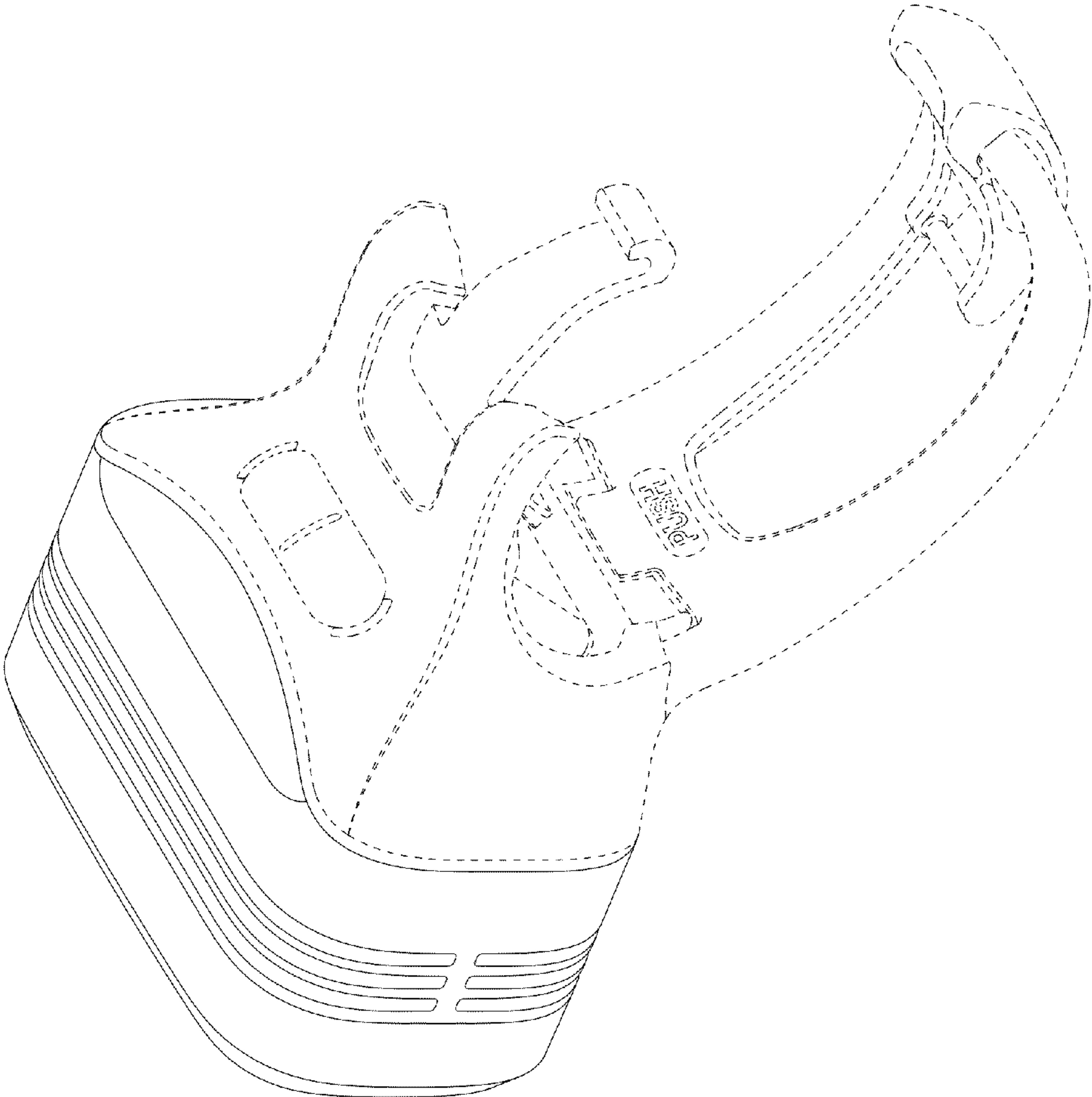


Figure 8

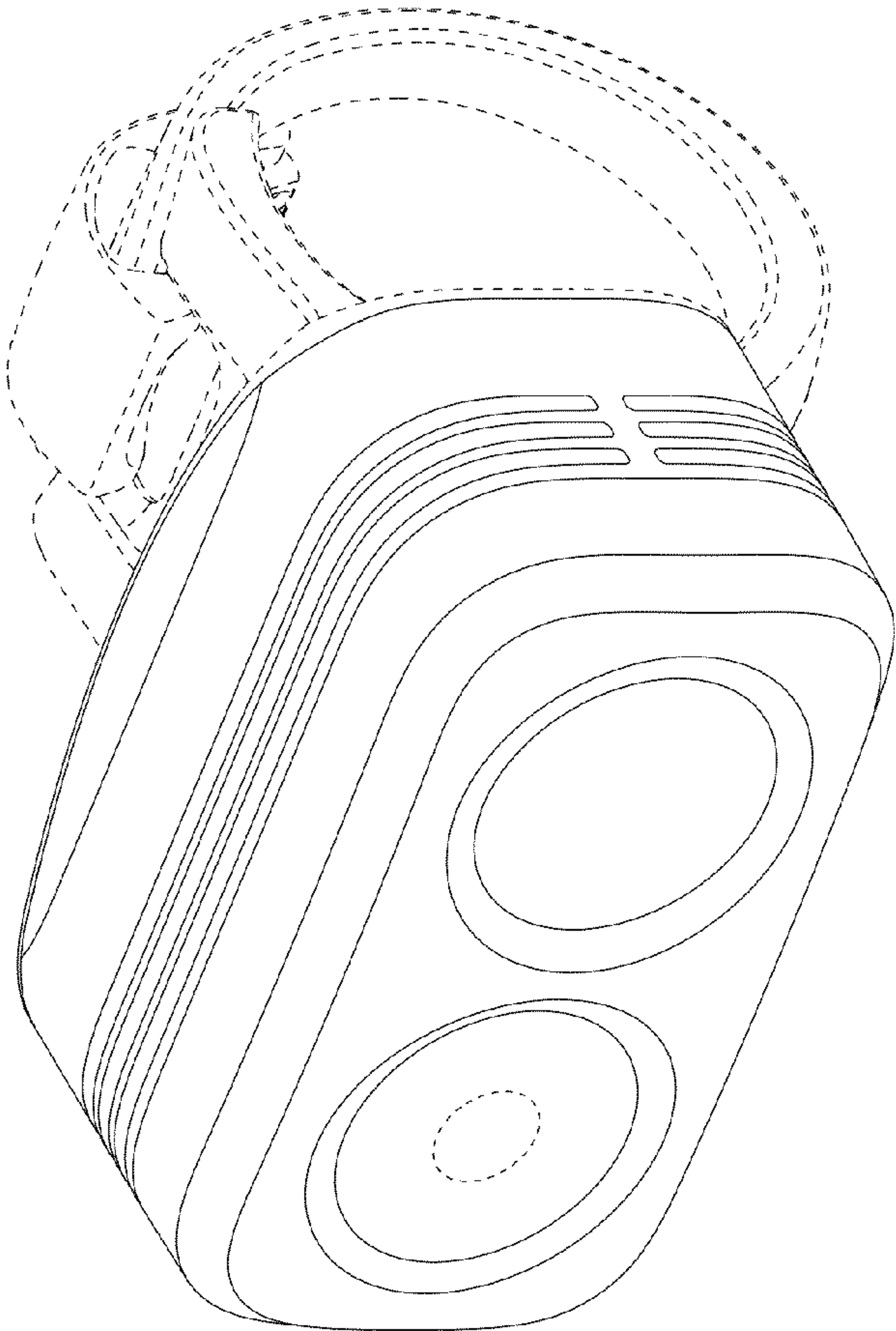


Figure 9

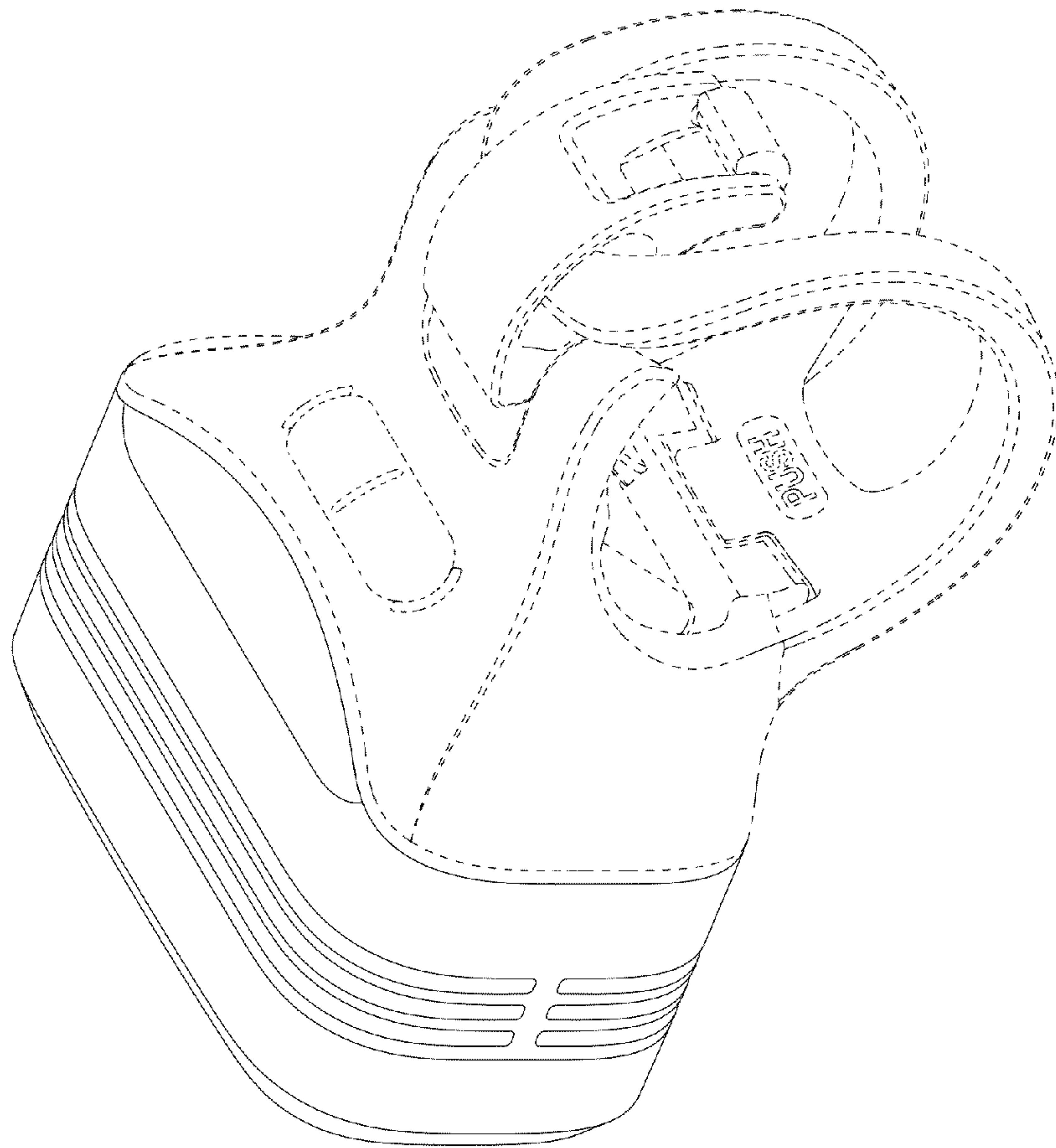


Figure 10