



US00D697243S

(12) **United States Design Patent**
Kitazumi

(10) **Patent No.:** **US D697,243 S**
(45) **Date of Patent:** **** Jan. 7, 2014**

- (54) **COMBINATION LAMP FOR AN AUTOMOBILE**
- (71) Applicant: **Hiroya Kitazumi**, Obu (JP)
- (72) Inventor: **Hiroya Kitazumi**, Obu (JP)
- (73) Assignee: **Toyota Jidosha Kabushiki Kaisha** (JP)
- (**) Term: **14 Years**
- (21) Appl. No.: **29/449,365**
- (22) Filed: **Mar. 15, 2013**
- (51) **LOC (10) Cl.** **26-06**
- (52) **U.S. Cl.**
USPC **D26/28**
- (58) **Field of Classification Search**
USPC D26/28-36; 362/459-468, 475-478,
362/485-487
See application file for complete search history.

(56) **References Cited**
U.S. PATENT DOCUMENTS

D538,956 S	*	3/2007	Ishii	D26/28
D544,614 S	*	6/2007	Markefka	D26/28
D561,358 S	*	2/2008	Tachibana	D26/28
D570,007 S	*	5/2008	Hsu	D26/28
D582,587 S	*	12/2008	Yang	D26/28
D593,232 S	*	5/2009	Koman et al.	D26/28
D635,694 S	*	4/2011	Yang et al.	D26/28

OTHER PUBLICATIONS

Citroen, Citroen DS4, "Car Graphics," published Nov. 1, 2011 by Kabushiki Kaisha Car Graphics.
Mitsubishi, Mitsubishi RVR, "Kokusan & Yunyu SUV no Subete 2011-2012," translated "All of Domestically-produced and Imported SUV 2011-2012," ISBN-13: 978-4779612367, published Jul. 9, 2011 by Sanei Shobo.

* cited by examiner

Primary Examiner — Marcus Jackson

(74) *Attorney, Agent, or Firm* — SAIDMAN DesignLaw Group

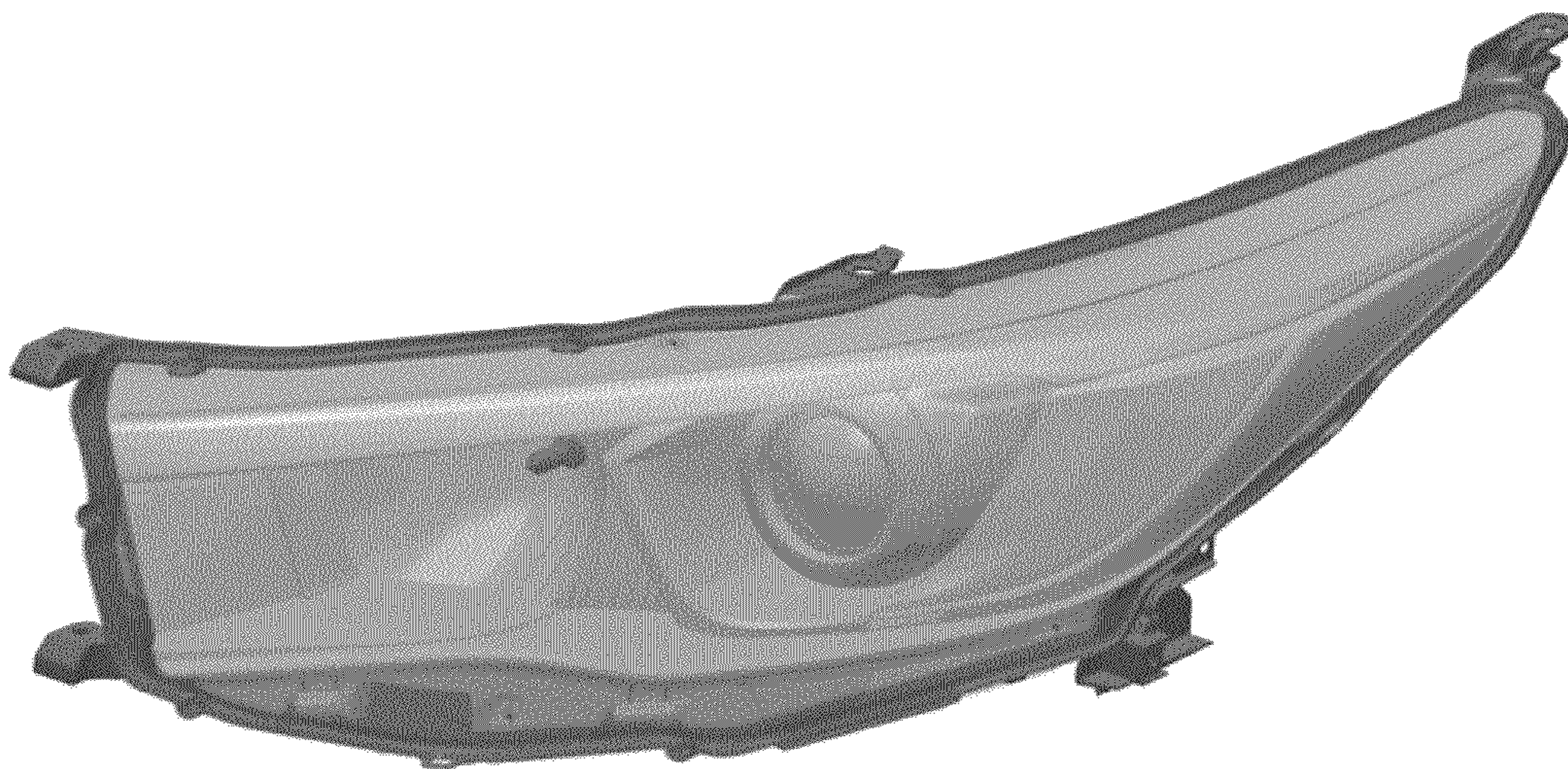
(57) **CLAIM**

The ornamental design for a combination lamp for an automobile, as shown and described.

DESCRIPTION

FIG. 1 is a front, perspective view of a combination lamp for an automobile showing my new design;
FIG. 2 is a front view thereof;
FIG. 3 is a rear view thereof;
FIG. 4 is a top view thereof;
FIG. 5 is a bottom view thereof;
FIG. 6 is a right side view thereof; and,
FIG. 7 is a left side view thereof.

1 Claim, 3 Drawing Sheets



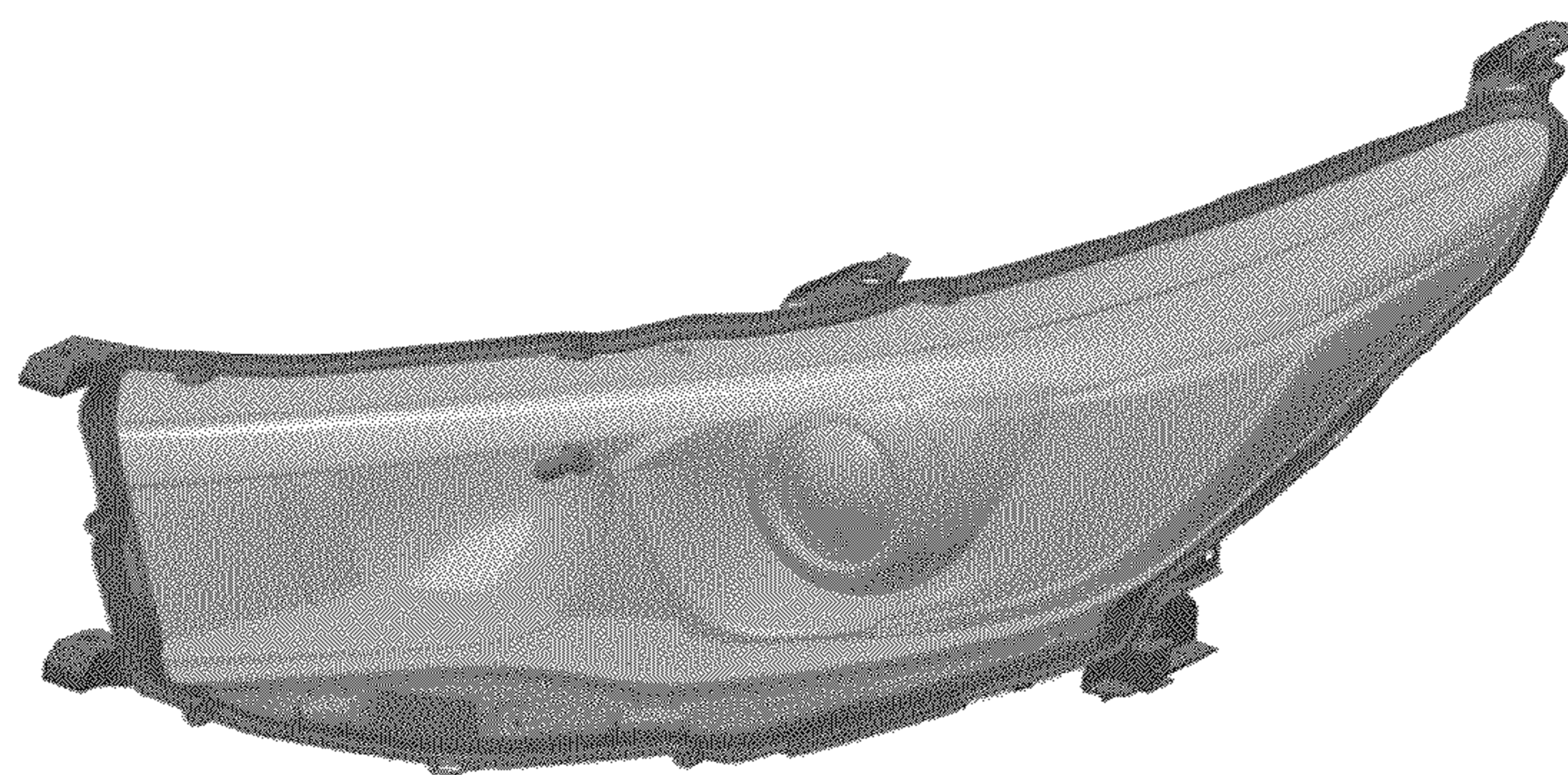


FIG. 1

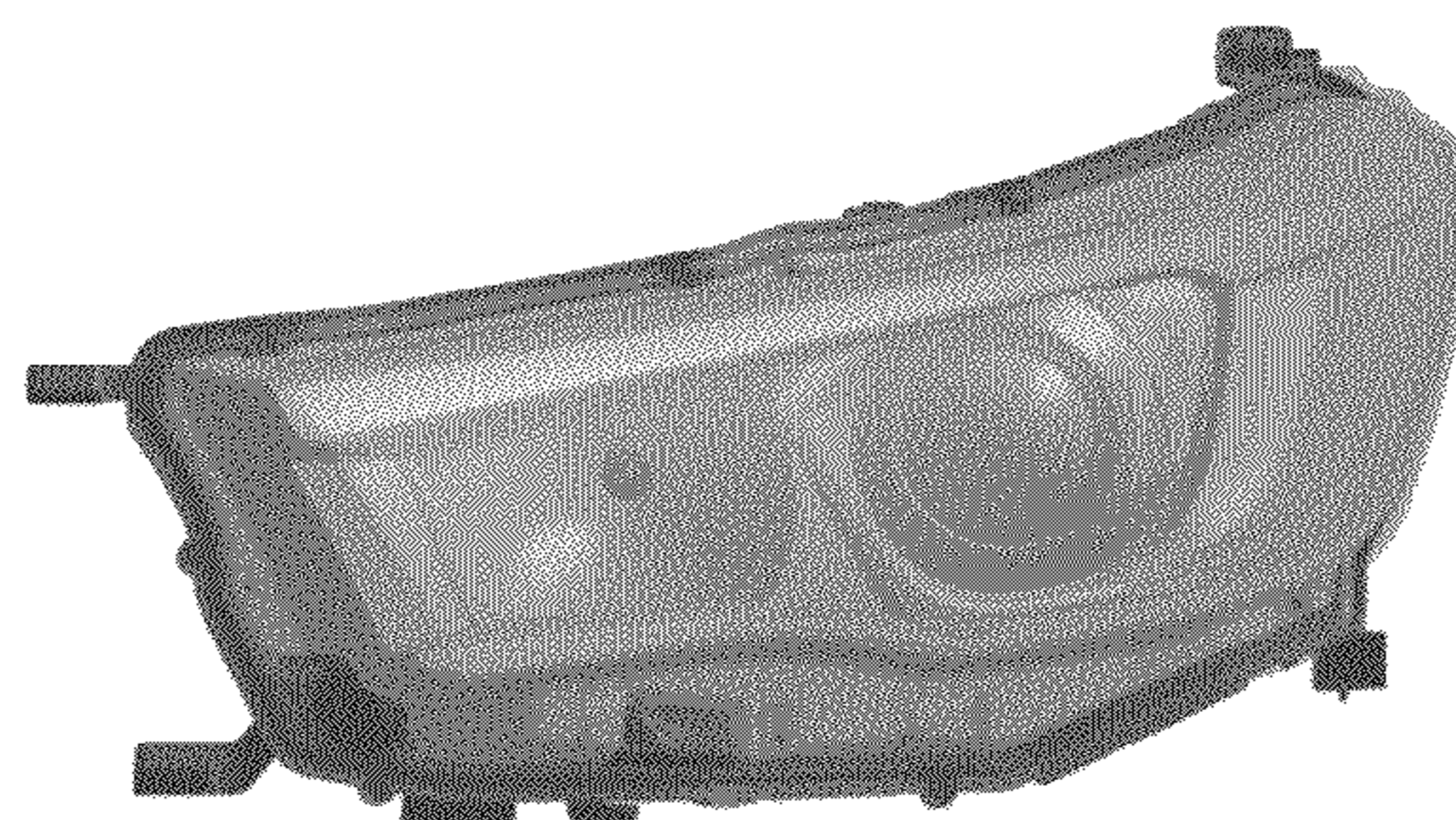


FIG. 2

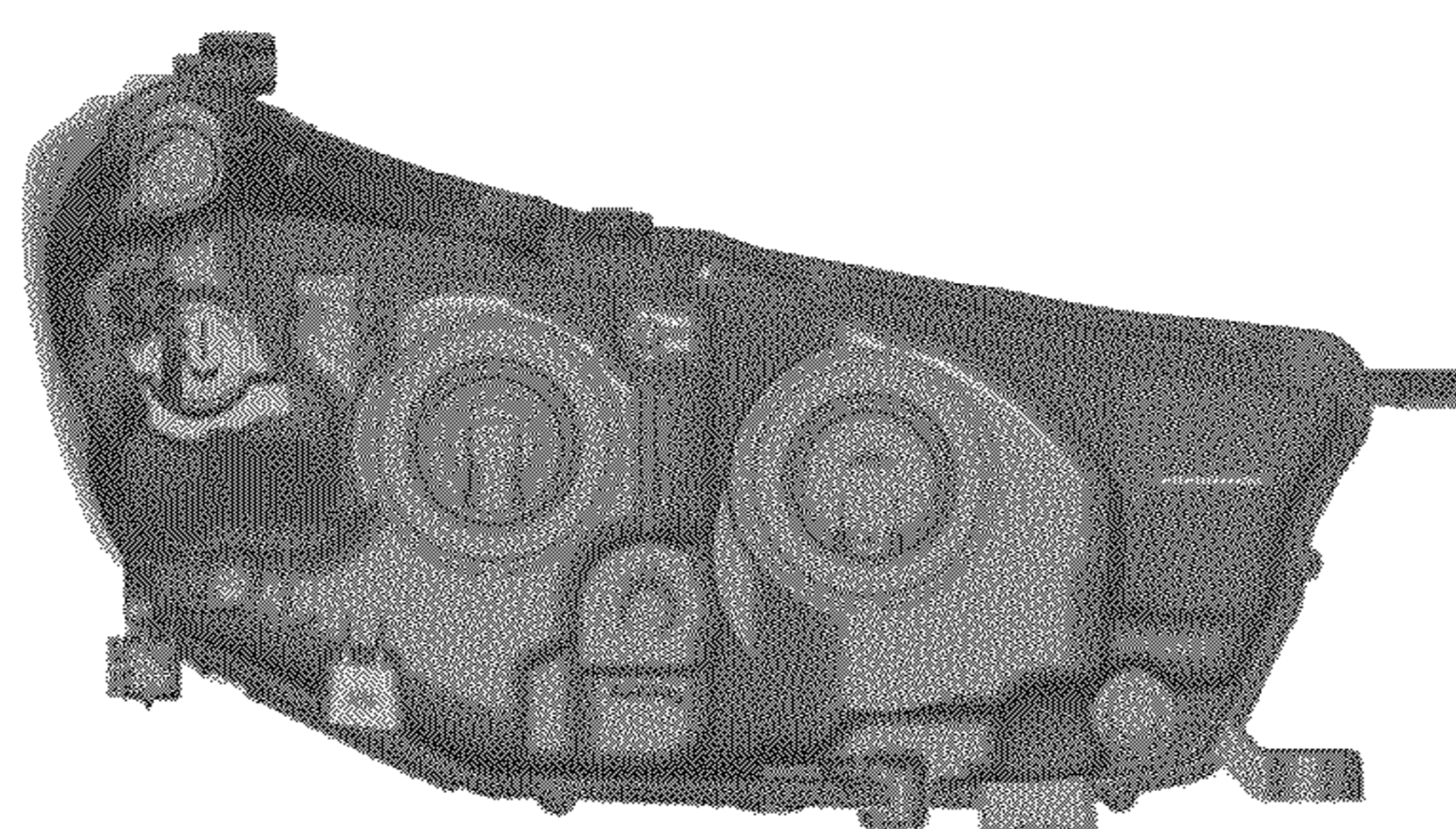


FIG. 3

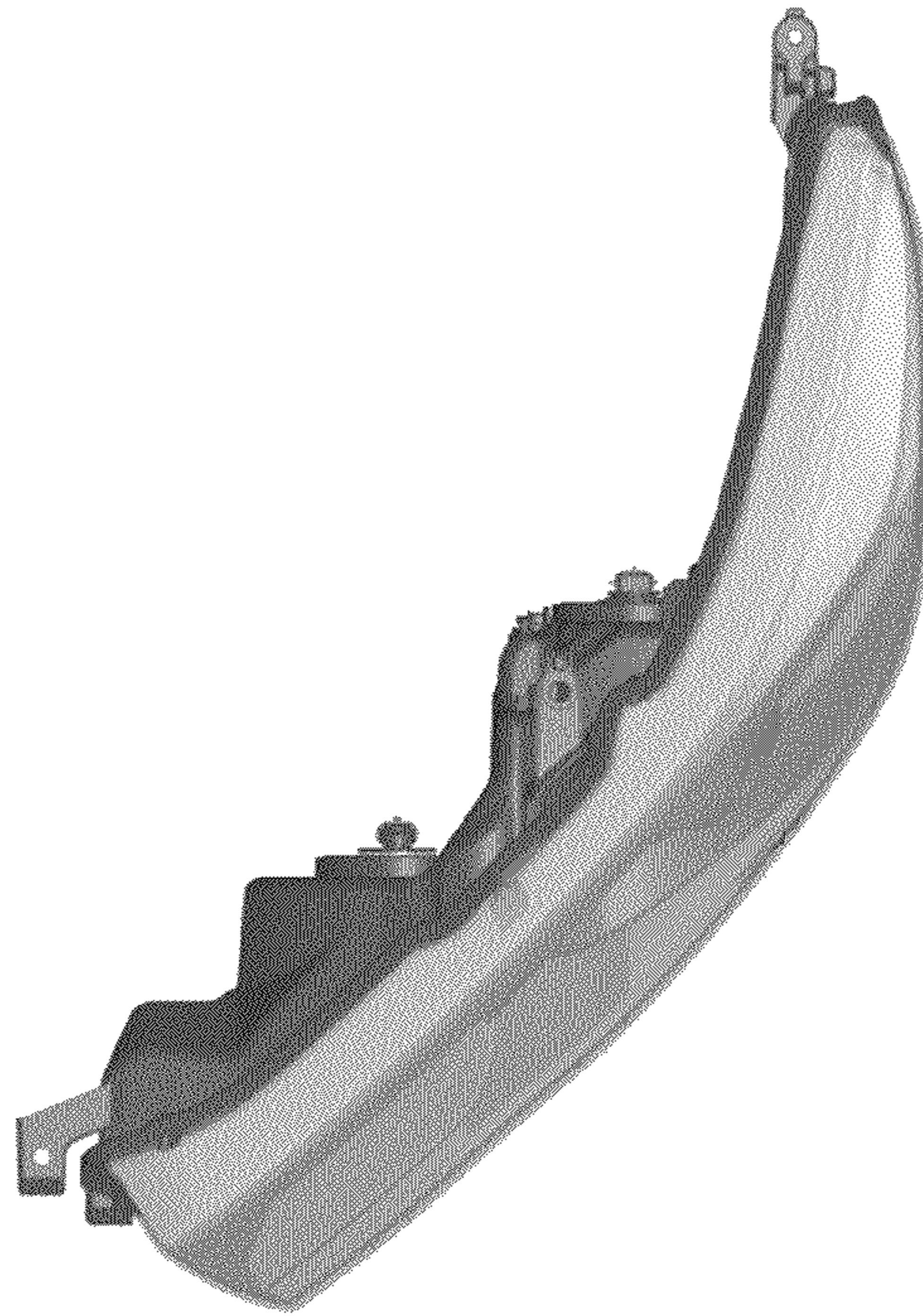


FIG. 4

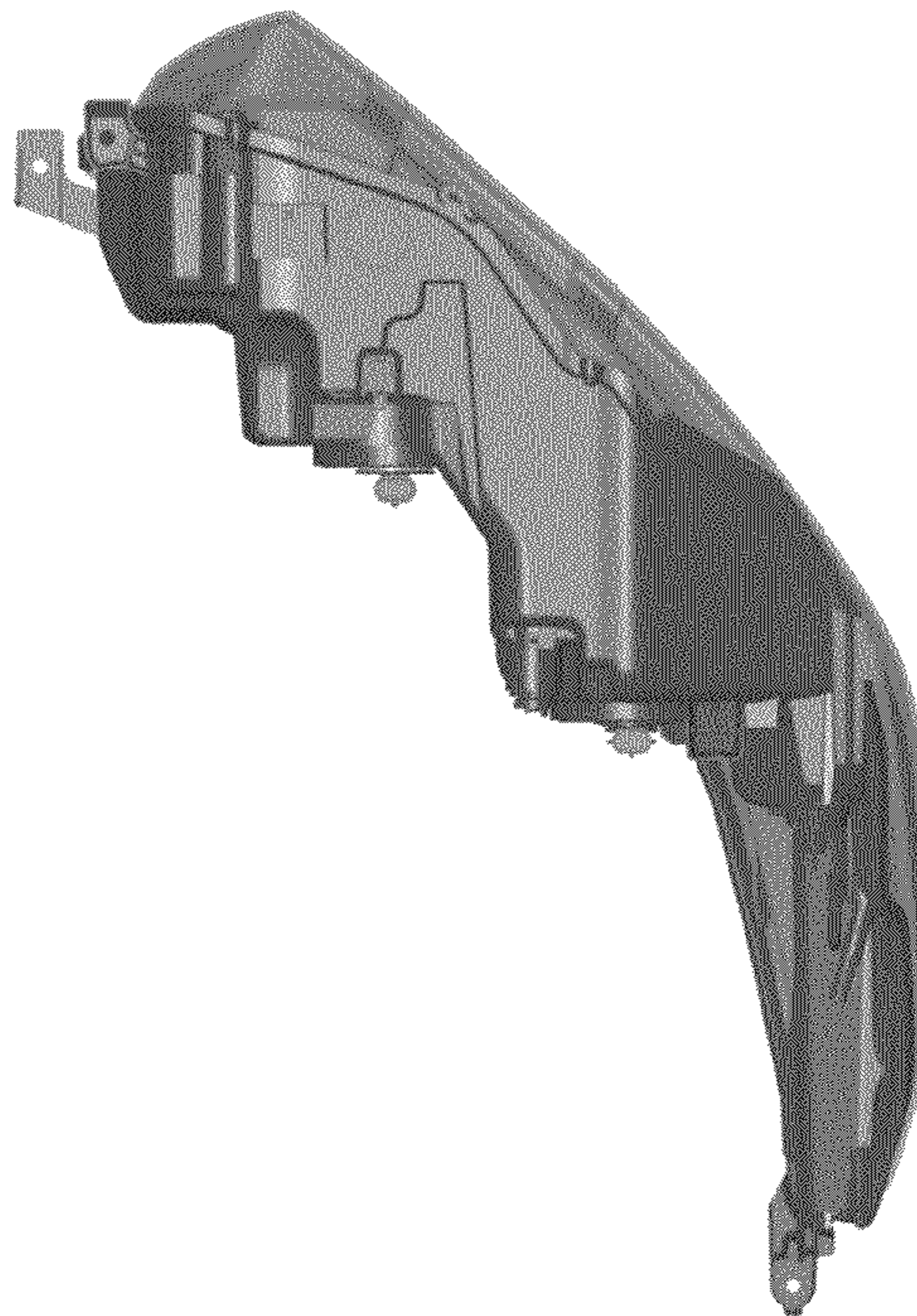


FIG. 5

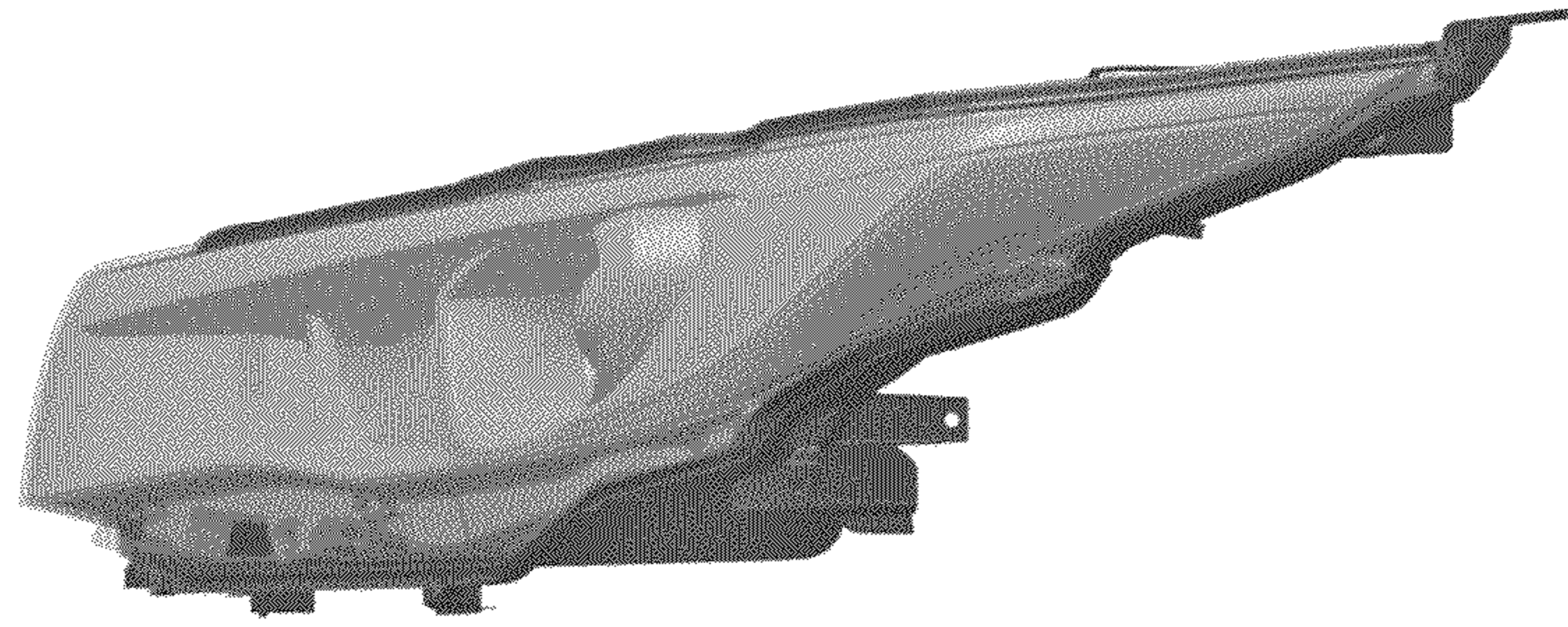


FIG. 6

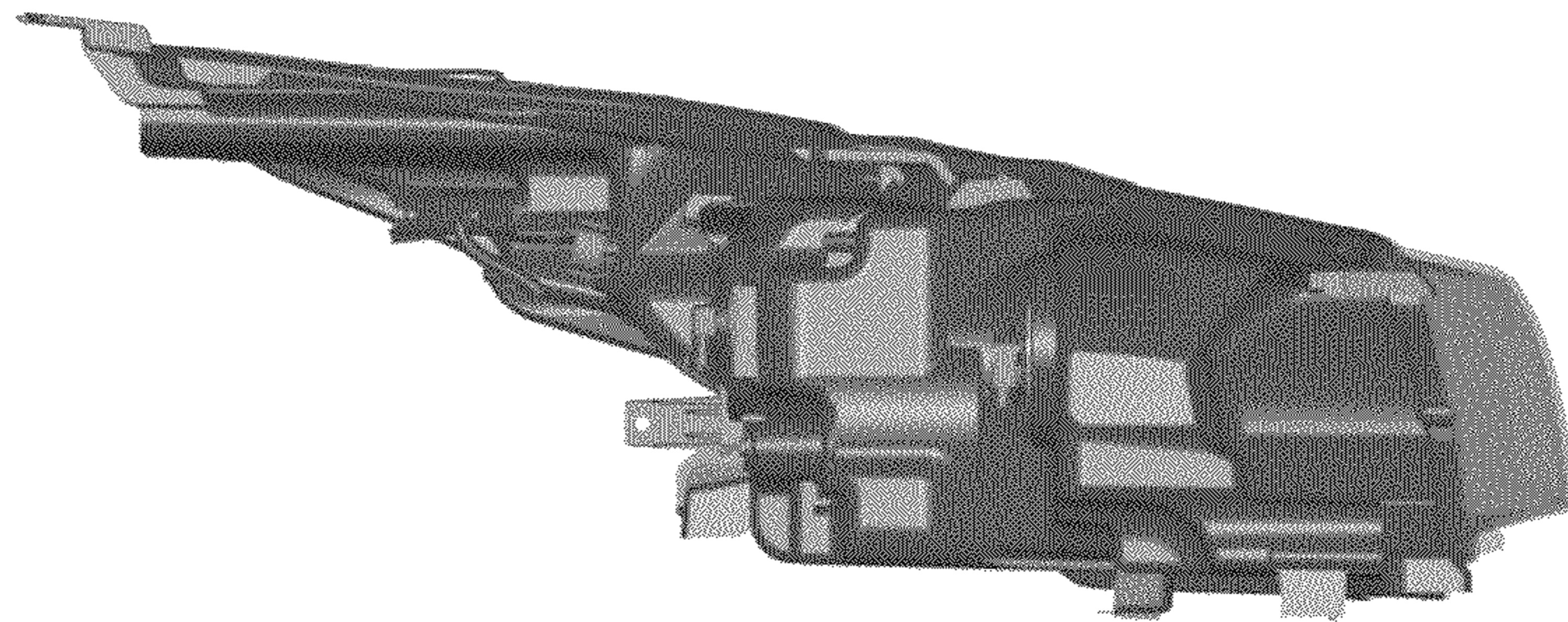


FIG. 7