



US00D697242S

(12) **United States Design Patent**
Hanson et al.

(10) **Patent No.:** **US D697,242 S**
(45) **Date of Patent:** **** Jan. 7, 2014**

(54) **FOG LIGHT**

- (71) Applicant: **Caterpillar Inc.**, Peoria, IL (US)
- (72) Inventors: **Eric J. Hanson**, Valparaiso, IN (US);
Joseph F. Denatale, Greensboro, NC (US)
- (73) Assignee: **Caterpillar Inc.**, Peoria, IL (US)
- (**) Term: **14 Years**
- (21) Appl. No.: **29/439,606**
- (22) Filed: **Dec. 13, 2012**

Related U.S. Application Data

- (62) Division of application No. 29/381,451, filed on Dec. 20, 2010, now Pat. No. Des. 675,757.
- (51) **LOC (10) Cl.** **26-06**
- (52) **U.S. Cl.**
USPC **D26/28**
- (58) **Field of Classification Search**
USPC D26/28-36; 362/459-468, 475-478,
362/485-487
See application file for complete search history.

(56) **References Cited**

U.S. PATENT DOCUMENTS

D304,569 S	11/1989	Brunger et al.
D334,630 S	4/1993	Paffrath
D367,027 S	2/1996	Onopa
D492,628 S	7/2004	Bond et al.
D494,900 S	8/2004	Satou

(Continued)

FOREIGN PATENT DOCUMENTS

DE	40405079-0001	5/2010
DE	40405079-0002	5/2010
DE	40702161-0001	5/2010
DE	40702161-0002	5/2010

OTHER PUBLICATIONS

BMW—daytime running light, retrofit by JDM. Retrieved May 5, 2010 from <http://ijdmtoy.com/BLOG/wordpress/2009/11/>.

(Continued)

Primary Examiner — Marcus Jackson

(74) *Attorney, Agent, or Firm* — Finnegan, Henderson, Farabow, Garrett & Dunner LLP

(57) **CLAIM**

The ornamental design for a fog light, as shown and described.

DESCRIPTION

FIG. 1 is a front left perspective view of the truck including a fog light assembly;

FIG. 2 is a front left perspective view of the fog light assembly of the left fog light in FIG. 1, the front right perspective view of the fog light assembly of the right fog light being a mirror image thereof;

FIG. 3 is a right side view of the right fog light assembly in FIG. 1, the left side view of the left fog light assembly being a mirror image thereof;

FIG. 4 is a left side view of the right fog light assembly in FIG. 1, the right side view of the left fog light assembly being a mirror image thereof;

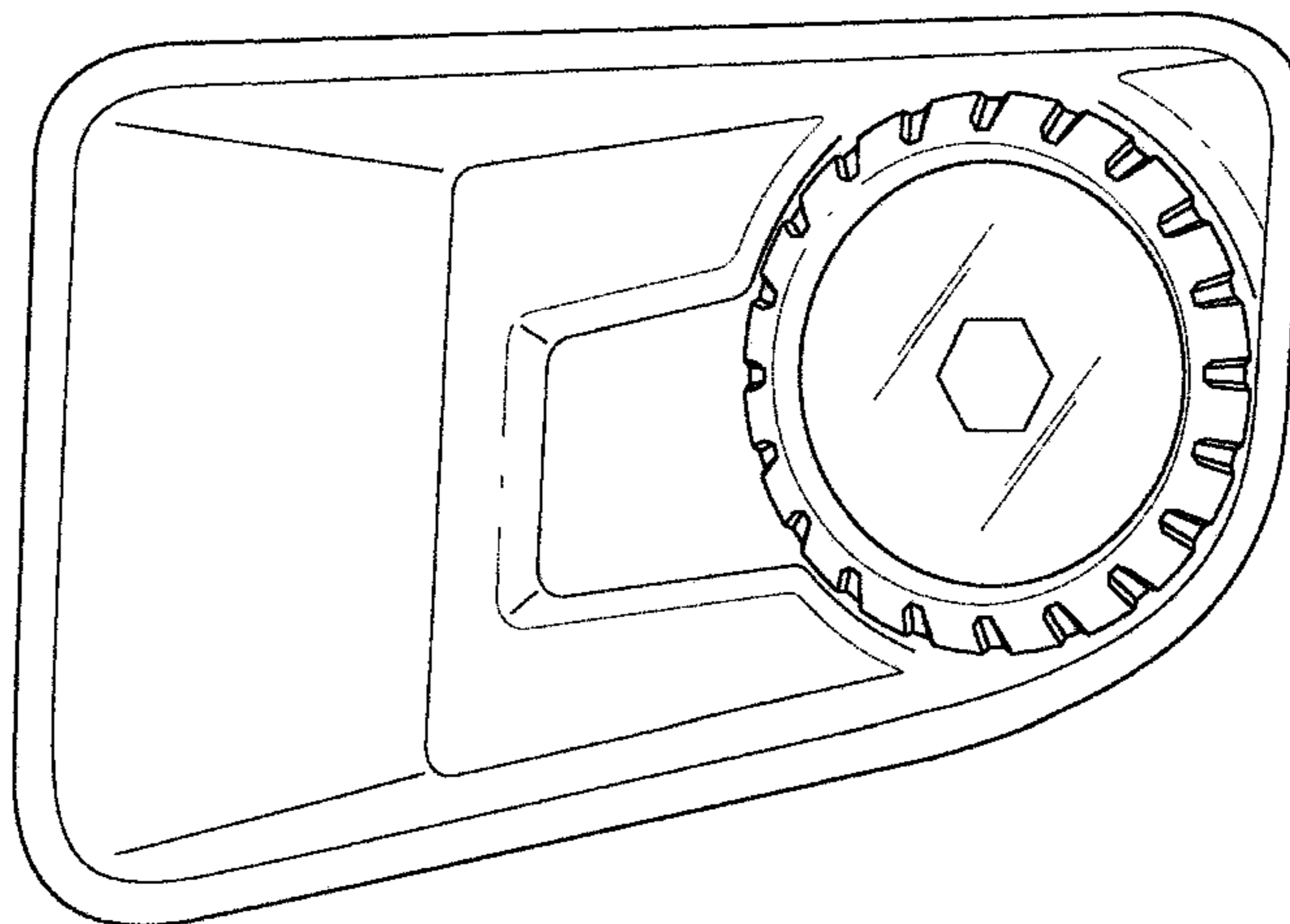
FIG. 5 is a top plan view of the right fog light assembly in FIG. 1, the top plan view of the left fog left assembly being a mirror image thereof;

FIG. 6 is a front view of the left fog light assembly in FIG. 1, the front view of the right fog light assembly being a mirror image thereof; and,

FIG. 7 is a back view of the right fog light assembly in FIG. 1, the back view of the left fog light assembly being a mirror image thereof.

The broken lines depict environmental structure and elements depicted in broken lines are not part of the claimed design.

1 Claim, 7 Drawing Sheets



(56)

References Cited

U.S. PATENT DOCUMENTS

D499,496 S	12/2004	Papke et al.	
D518,580 S	4/2006	Tamiya et al.	
D519,069 S	4/2006	Clark et al.	
D531,330 S	10/2006	Takabatake	
D536,113 S	* 1/2007	Pfeiffer	D26/28
D537,180 S	* 2/2007	Hsu	D26/28
D540,722 S	4/2007	Angelo et al.	
D550,380 S	* 9/2007	Lin	D26/28
D550,383 S	* 9/2007	Asai	D26/28
D555,815 S	11/2007	Golden et al.	
D556,349 S	* 11/2007	Golden et al.	D26/28
D560,573 S	1/2008	Aris et al.	
D563,576 S	3/2008	Hanaoka	
D565,758 S	4/2008	Conway et al.	
D569,020 S	5/2008	Schiavone et al.	
D570,015 S	* 5/2008	Hsu	D26/28
D571,027 S	6/2008	Suzuki et al.	
D573,272 S	* 7/2008	Handsaker	D26/25
D576,765 S	9/2008	Song et al.	
D593,233 S	5/2009	Bai et al.	
D595,895 S	7/2009	Lamm	
D604,892 S	11/2009	Golden et al.	
D660,480 S	* 5/2012	Gotschke et al.	D26/28

OTHER PUBLICATIONS

Dodge Caravan fog light—factory installed. Retrieved May 5, 2010 from http://www.dodge.com/en/2010/grand_caravan/design/styl-ing/.

Ford F-150 fog light—aftermarket retrofit kit. Retrieved May 5, 2010 from http://www.fordf150foglights.com/Spyder/Fog-Lights/Ford-F150-Spyder-Halo-Angel-Eyes-Projector-Fog-Lights-Kit-_-FL_P_FF15004_HL/638069/.

Honda Accord fog light—aftermarket retrofit kit. Retrieved May 5, 2010 from <http://222.hondapartsnow.com/genuine/2003-2005-honda-accord-coupe-fog-light-kit-4183.html>.

Mazda 6 fog light—aftermarket retrofit kit. Retrieved May 5, 2010 from <http://mazda-6-saloon.sgpetch.co.uk/pages/accessories/detail/model=124/category=ROOTexterior/accessory=Front+Fog+Lamps/id=2299>.

Mercedes ML Class W-164 with Carlsson daytime running lights. Retrieved May 5, 2010 from <http://www.mitsupartsworld.com/94-mitsubishilancer-fog-lights.html>.

Mitsubishi Lancer fog light—aftermarket retrofit kit. Retrieved May 5, 2010 from <http://www.mitsupartsworld.com/94-mitsubishilancer-fog-lights.html>.

Suzuki Alto fog light—factory installed. Retrieved May 5, 2010 from http://www.netcarshow.com/suzuki/2009-alto/800x600/wallpaper_04.htm.

Suzuki Swift fog light—factory installed. Retrieved May 5, 2010 from <http://www.themotorreport.com.au/48183/suzukiaustralia-announces-reduced-swift-and-alto-pricing>.

Suzuki SX4 fog light—factory installed option. Retrieved May 5, 2010 from http://www.suzuki.com.au/cars/accessories.php?model=sx4_hatch.

Toyota Camry fog light—aftermarket retrofit kit. Retrieved May 5, 2010 from http://www.connerpro.us/index.php?main_page=index&cPath=26.

Toyota Yaris sedan fog light—aftermarket retrofit kit. Retrieved May 5, 2010 http://www.connerpro.us/index.php?main_page=Index&cPath=26.

Toyota FJ Cruiser fog light—aftermarket retrofit kit. Retrieved May 5, 2010 from <http://www.4x4groupbuy.com/store/light-inserts-cruiser-bull-pi-8625.html>.

Volkswagen GTI fog light—aftermarket retrofit kit (by Hella). Retrieved May 5, 2010 from <http://myfastgti.com/volkswagen/showthread.php/euro-switchcoming-home-feature-auto-6686.html?s=f3b97796f6d3a46018d27f8246998bcb&>.

A selection of sidemarker designs. Retrieved May 5, 2010 from http://ep.yimg.com/ca/l/twincamtech_2102_52373642.

Sidemarkers for a Volkswagen, made by Hella. Retrieved May 5, 2010 from http://www.fastvws.com/acatalog/copy_of_copy_of_copy_of_copy_of_MK3.html#a212.

Porsche Carrera S 05 side marker. Retrieved May 5, 2010 from http://www.koperformance.com/online_ordering/show_part/183539-99763103701-100.

Porsche Boxster S side marker. Retrieved May 5, 2010 from http://www.koperformance.com/online_ordering/show_part/182761-98763103401-100.

Wesbar side marker—PN 003250. Retrieved May 5, 2010 from <http://www.wesbar.com/product/details.asp?ProdID=003250&cat=8480>.

Porsche 1987 944S turn signal lamp. Retrieved May 5, 2010 from <http://www.koperformance.com/catalog/POR/1988/7999-944S-S2/L2/2017-Turn-Signal-Light.html>.

Mazda RX-8 aftermarket side marker. Retrieved May 5, 2010 from <http://www.rotaryfx.com/PhotoGallery.asp?ProductCode=LIG1048>.

Infiniti G35 side marker. Retrieved May 5, 2010 from <http://g35driver.com/forums/attachments/interior-exterior/51908d1157232622-new-amber-side-markerssidemarker.jpg>.

Nissan Side Marker—aftermarket retrofit. Retrieved May 6, 2010 from http://www.frsport.com/Genuine-OEM-Nissan-Silvia-Side-Marker-Lights_p_1397.html.

Volvo side marker (for XC70). Retrieved May 6, 2010 from <http://www.discountvoparts.com/volvo-side-marker/>.

Universal car side marker. Retrieved May 6, 2010 from <http://www.lightinthebox.com/productvote/57568-76903>.

Geo Prism turn side turn signal. Retrieved May 6, 2010 from http://store.justparts.com/NORDSTROMS/PartFinder/5_50_7_Geo_14_NORDSTROMS_20_1_39_New—Aftermarket_21_7_35_5,21.

Kia Optima side marker. Retrieved May 6, 2010 from <http://www.usedautopartdepot.com/Vehicle-Parts.php?=&N=Turn%20Signal%20Light>.

BMW Z3 side marker. Retrieved May 6, 2010 from <http://home.comcast.net/~3rdRock/BMW/Roadster/ModPx/index.html>.

* cited by examiner

FIG. 1

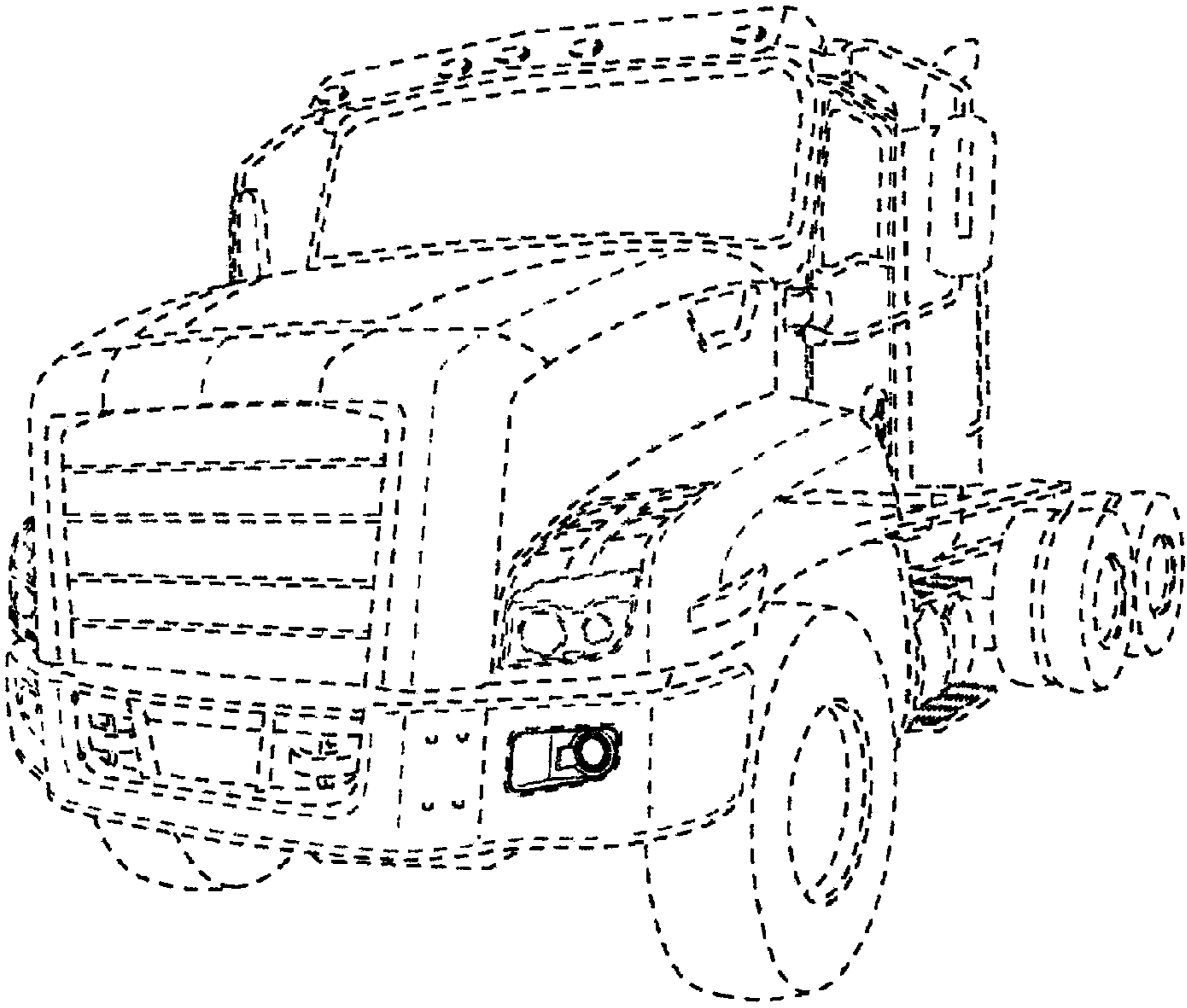


FIG. 2

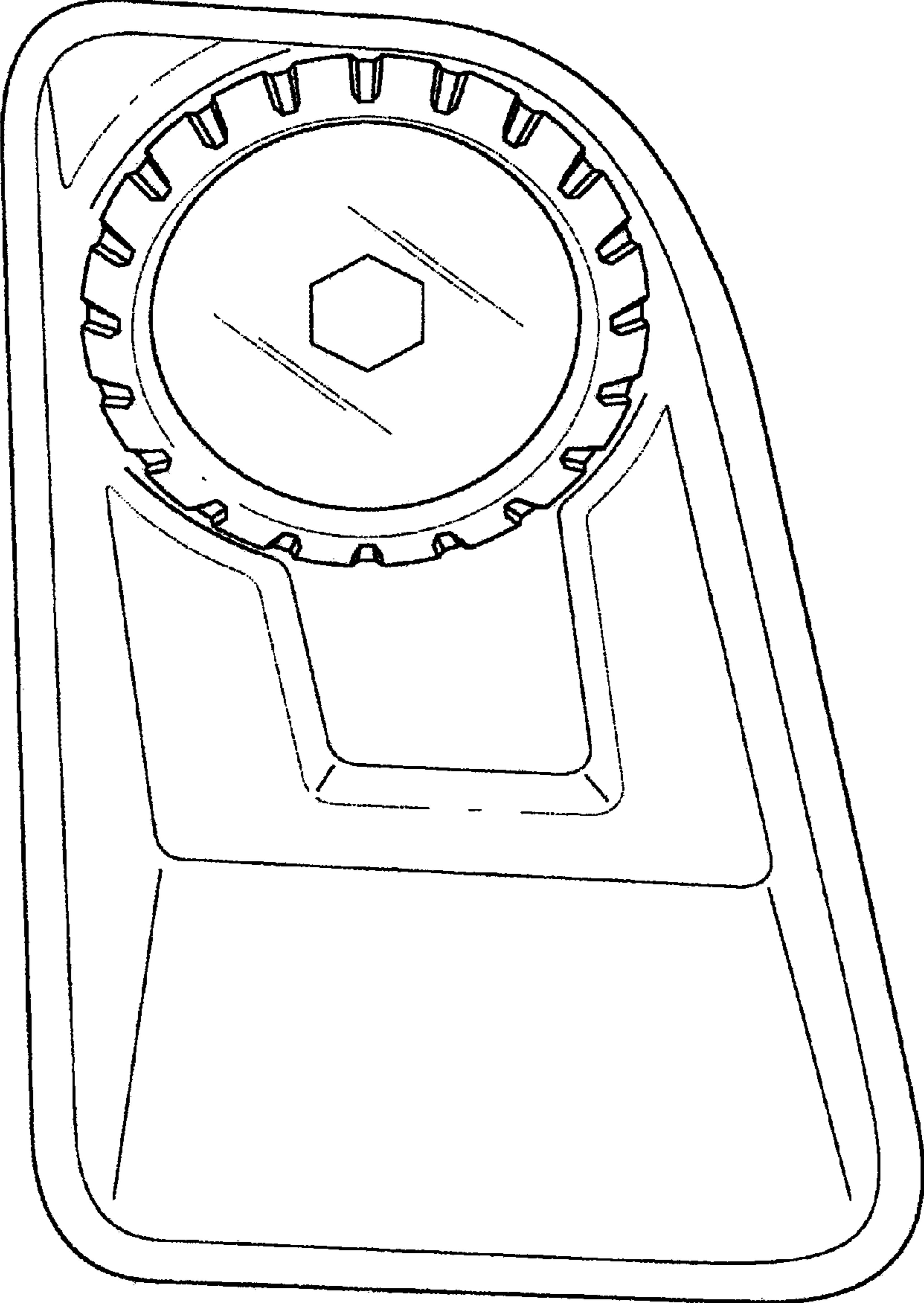


FIG. 3

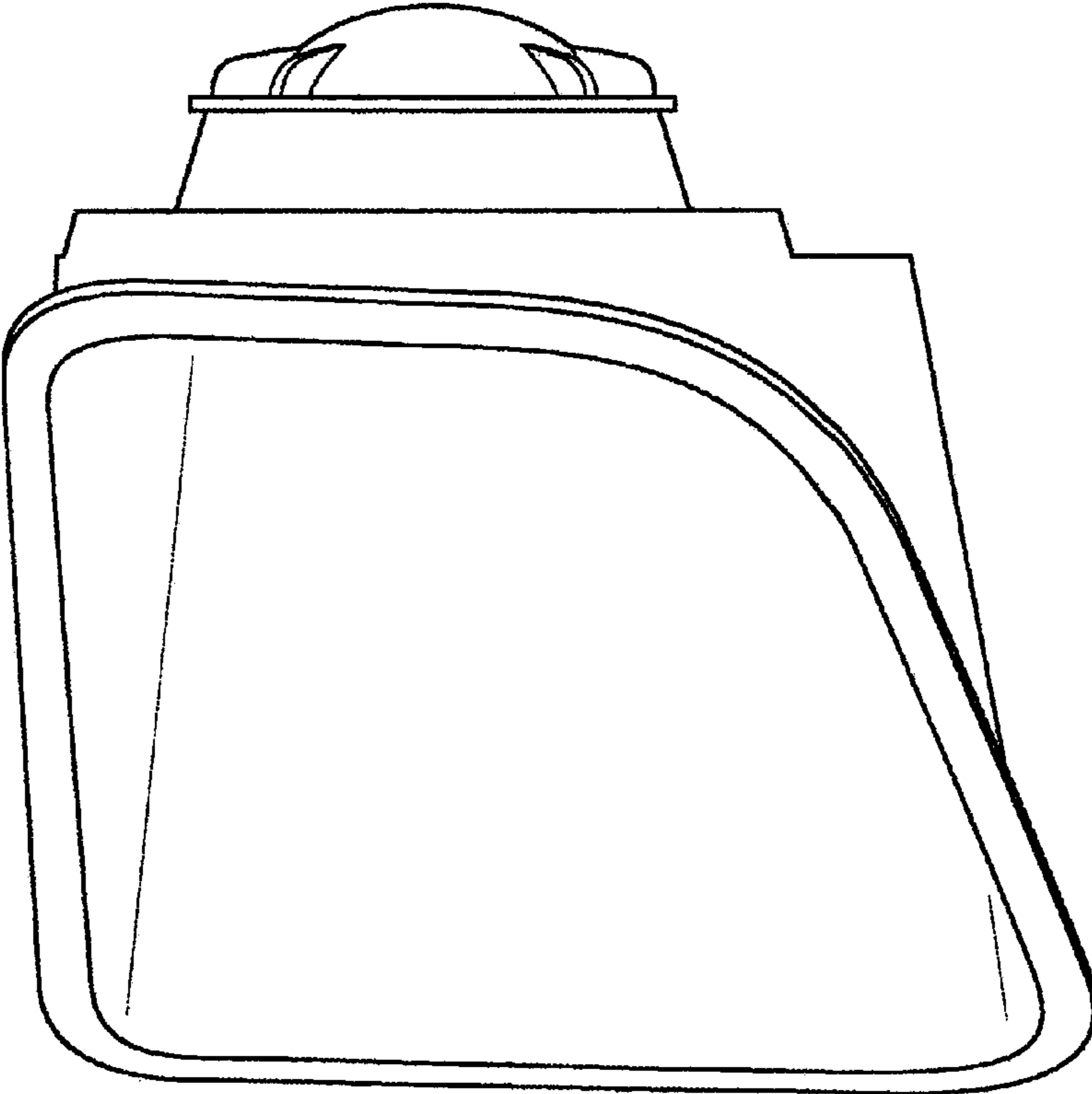
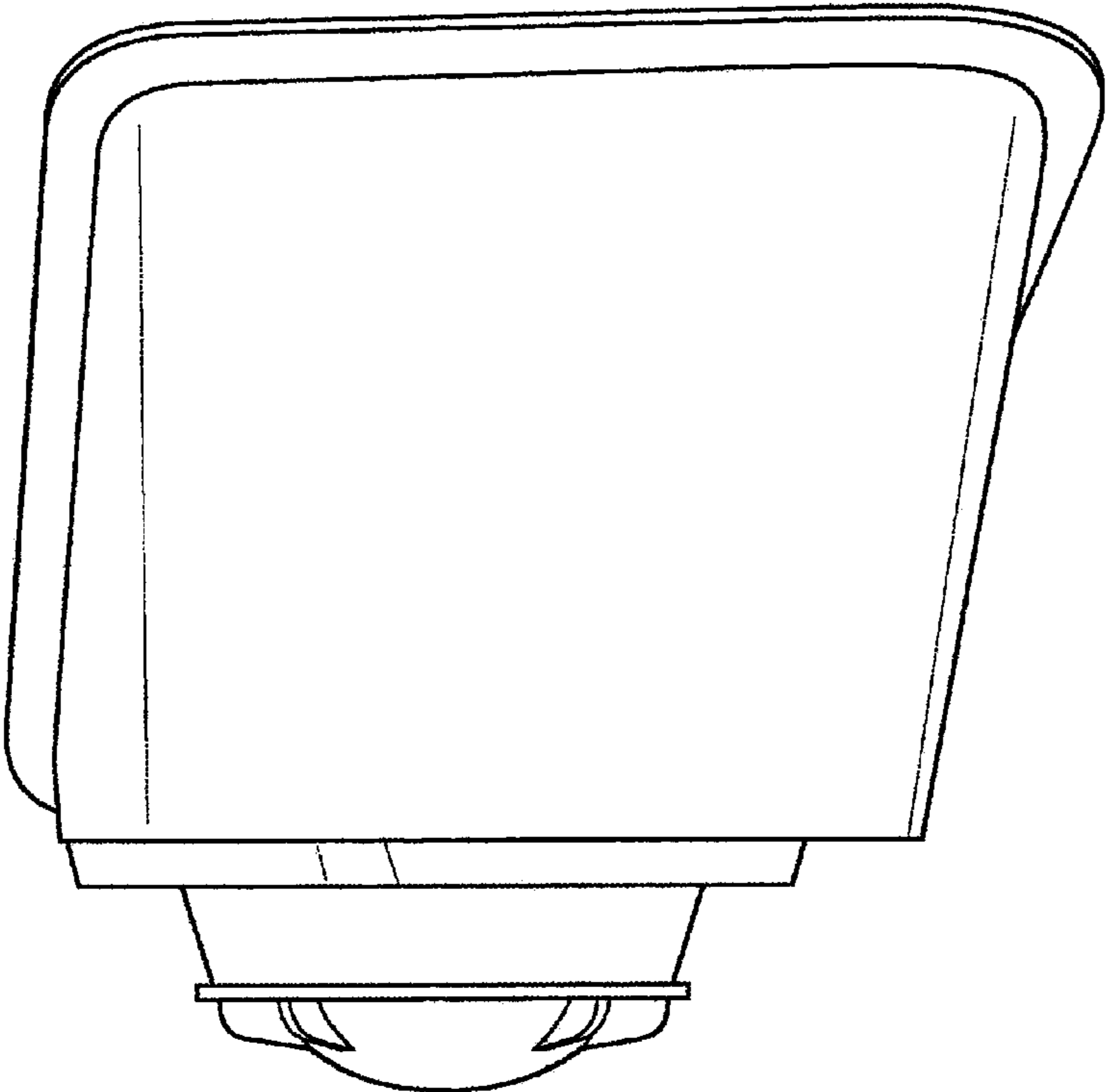


FIG. 4



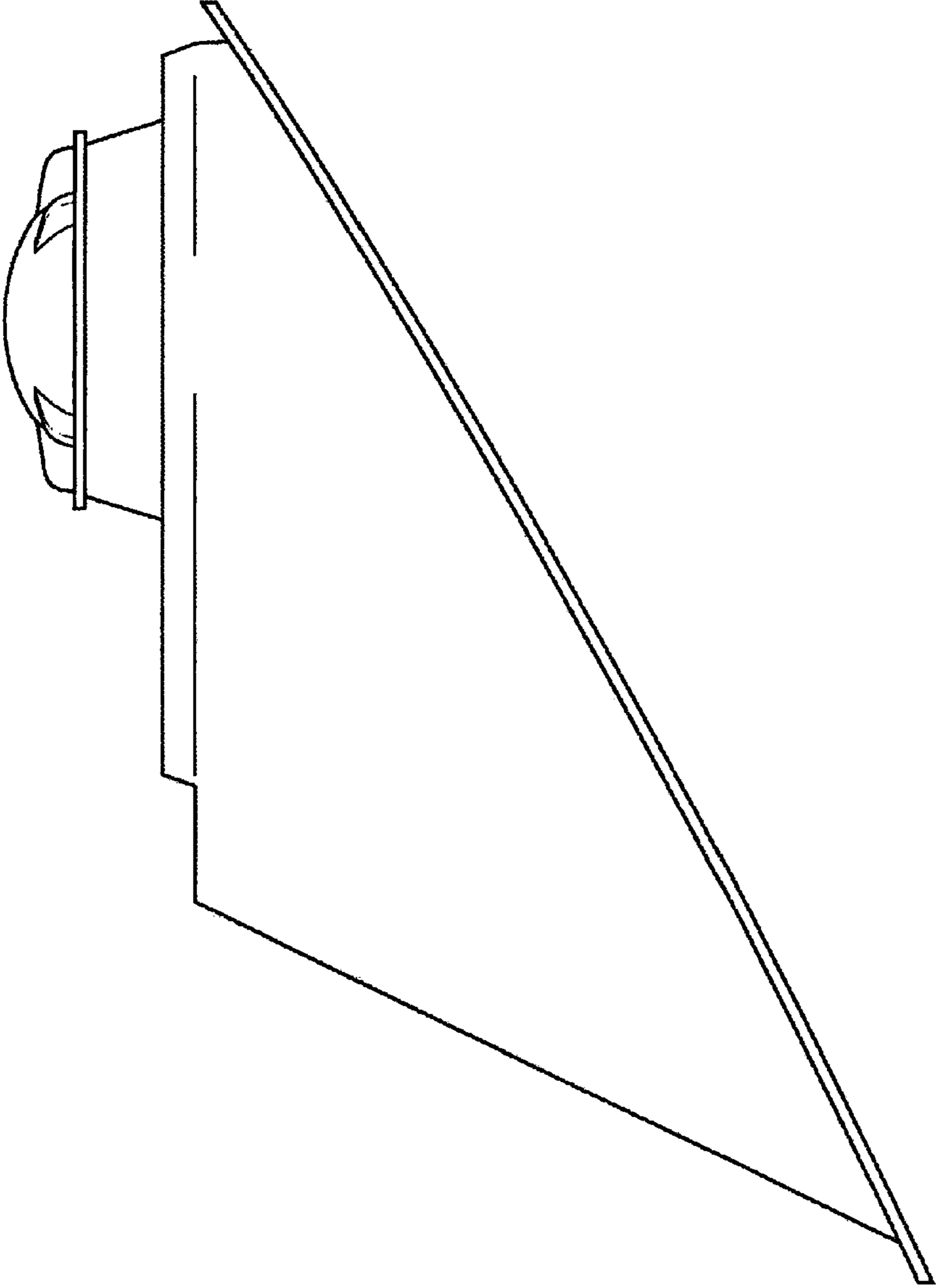


FIG. 5

FIG. 6

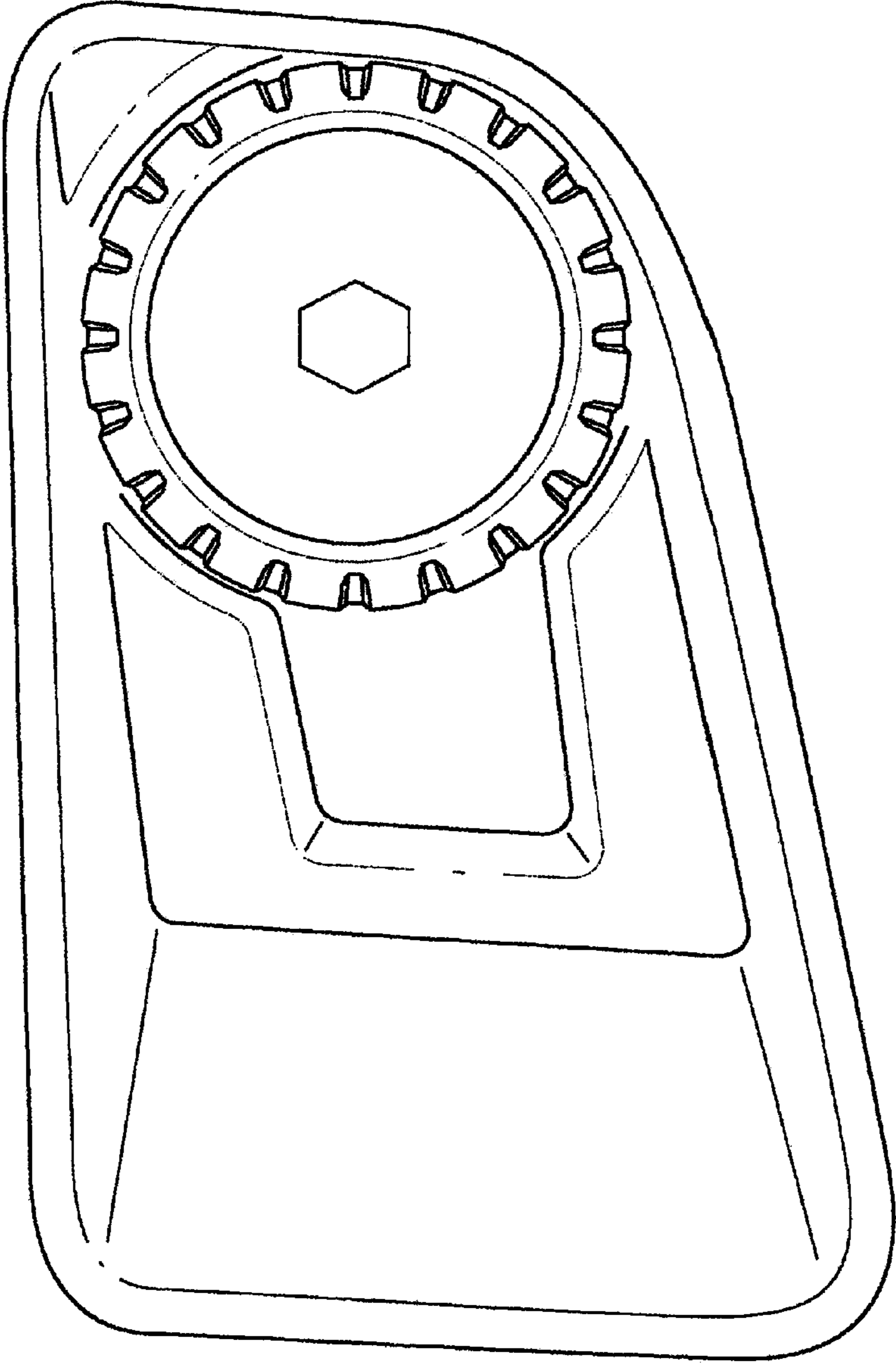


FIG. 7

