

US00D697241S

(12) **United States Design Patent**
Chen

(10) **Patent No.:** **US D697,241 S**
(45) **Date of Patent:** **** Jan. 7, 2014**

- (54) **VEHICLE LIGHTING SYSTEM**
- (75) Inventor: **Cheng Chun Chen**, Tu Cheng Dist.
(TW)
- (73) Assignee: **Juluon Enterprises Co., Ltd**, Xinbei
(TW)
- (**) Term: **14 Years**
- (21) Appl. No.: **29/411,447**
- (22) Filed: **Jan. 20, 2012**
- (51) **LOC (10) Cl.** **26-06**
- (52) **U.S. Cl.**
USPC **D26/28**
- (58) **Field of Classification Search**
USPC D26/28-36; 362/459-468, 475-478,
362/485-487
See application file for complete search history.

- D618,377 S 6/2010 Toft
- D620,187 S 7/2010 Quadri
- D639,983 S 6/2011 Quadri
- D667,582 S 9/2012 Toft
- D676,162 S * 2/2013 Adams D26/28

* cited by examiner

Primary Examiner — Marcus Jackson
(74) *Attorney, Agent, or Firm* — King & Schickli, PLLC

(57) **CLAIM**
The ornamental design of a vehicle lighting system, as shown and described.

DESCRIPTION

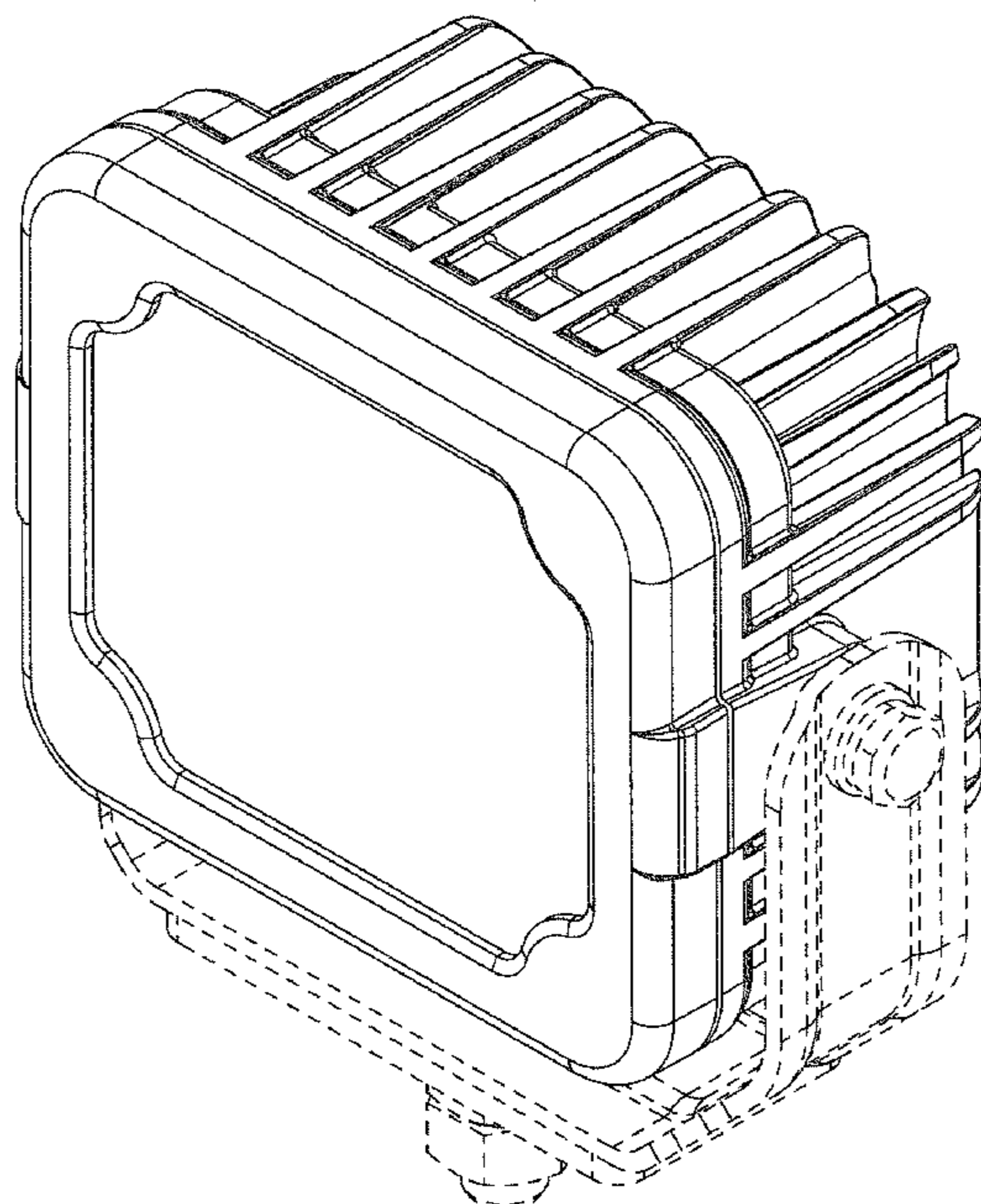
FIG. 1 is a perspective view of a vehicle lighting system; FIG. 2 is the perspective view of the vehicle lighting system with a mounting bracket; FIG. 3 is a front view of the vehicle lighting system with the mounting bracket; FIG. 4 is a rear view of the vehicle lighting system with the mounting bracket; FIG. 5 is a side view of the vehicle lighting system; FIG. 6 is the side view of the vehicle lighting system with the mounting bracket. FIG. 7 is an opposite side view of the vehicle lighting system with the mounting bracket; FIG. 8 is a top view of the vehicle lighting system with the mounting bracket; FIG. 9 is a bottom view of the vehicle lighting system; and, FIG. 10 is the bottom view of the vehicle lighting system with the mounting bracket.

The broken line showing of the mounting bracket is for the purpose of illustrating environmental structure for the vehicle lighting system and forms no part of the claimed design.

1 Claim, 10 Drawing Sheets

(56) **References Cited**
U.S. PATENT DOCUMENTS

D120,741 S	5/1940	Naylor	
D235,222 S	5/1975	Larson	
D242,945 S	1/1977	Moore	
D359,574 S	6/1995	Bornhorst et al.	
D486,259 S	2/2004	Crawford et al.	
D490,172 S *	5/2004	Yamamoto D26/28
D552,782 S	10/2007	Korpi	
D554,279 S *	10/2007	Jeffries D26/28
D564,683 S *	3/2008	Roach et al. D26/28
D570,009 S *	5/2008	Kani et al. D26/28
D572,856 S	7/2008	Kehl et al.	
D574,978 S *	8/2008	Hyodo et al. D26/28
D598,144 S	8/2009	Ko	
D606,690 S	12/2009	Orron et al.	
D610,725 S	2/2010	Georgitsis et al.	



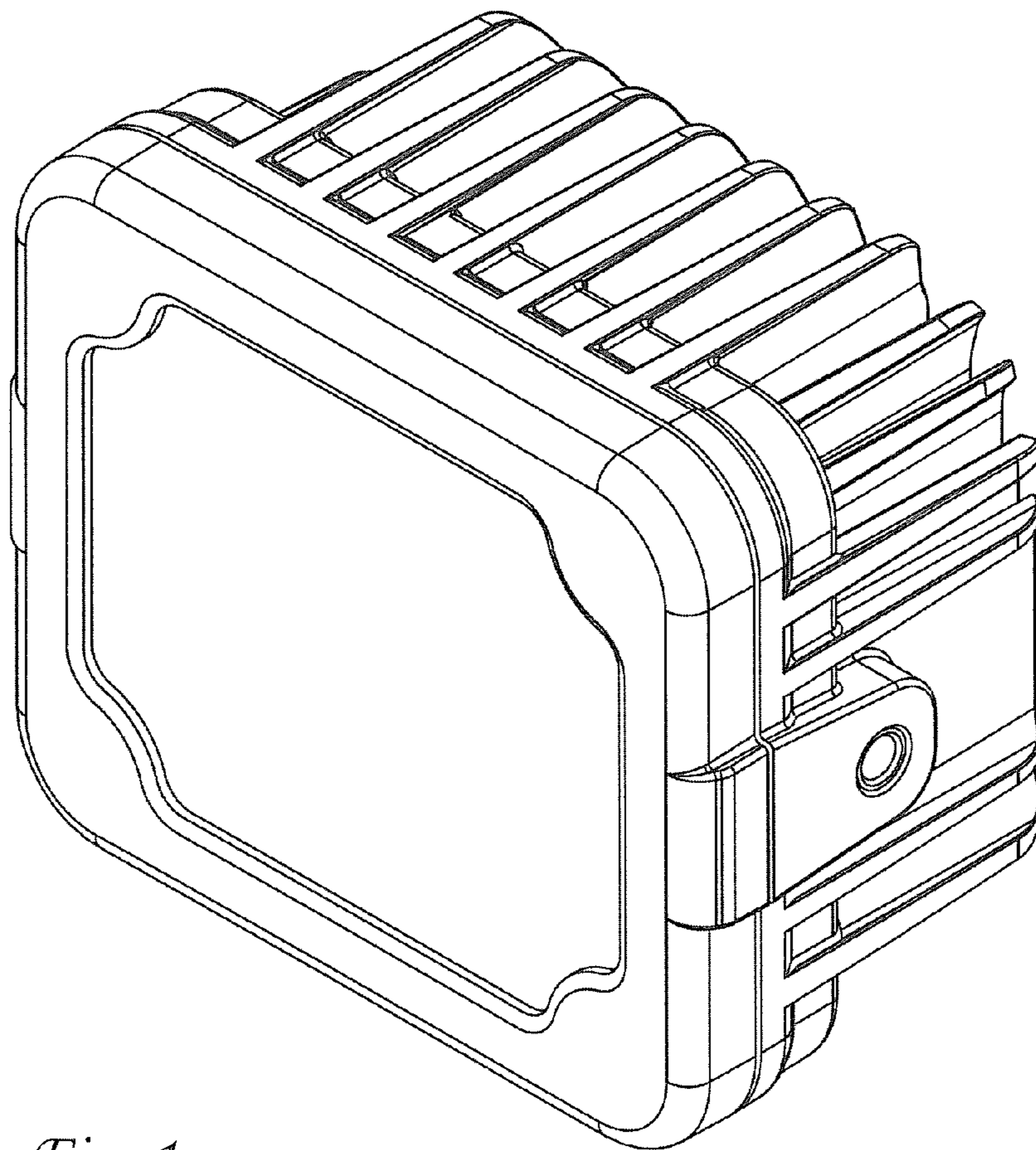


Fig. 1

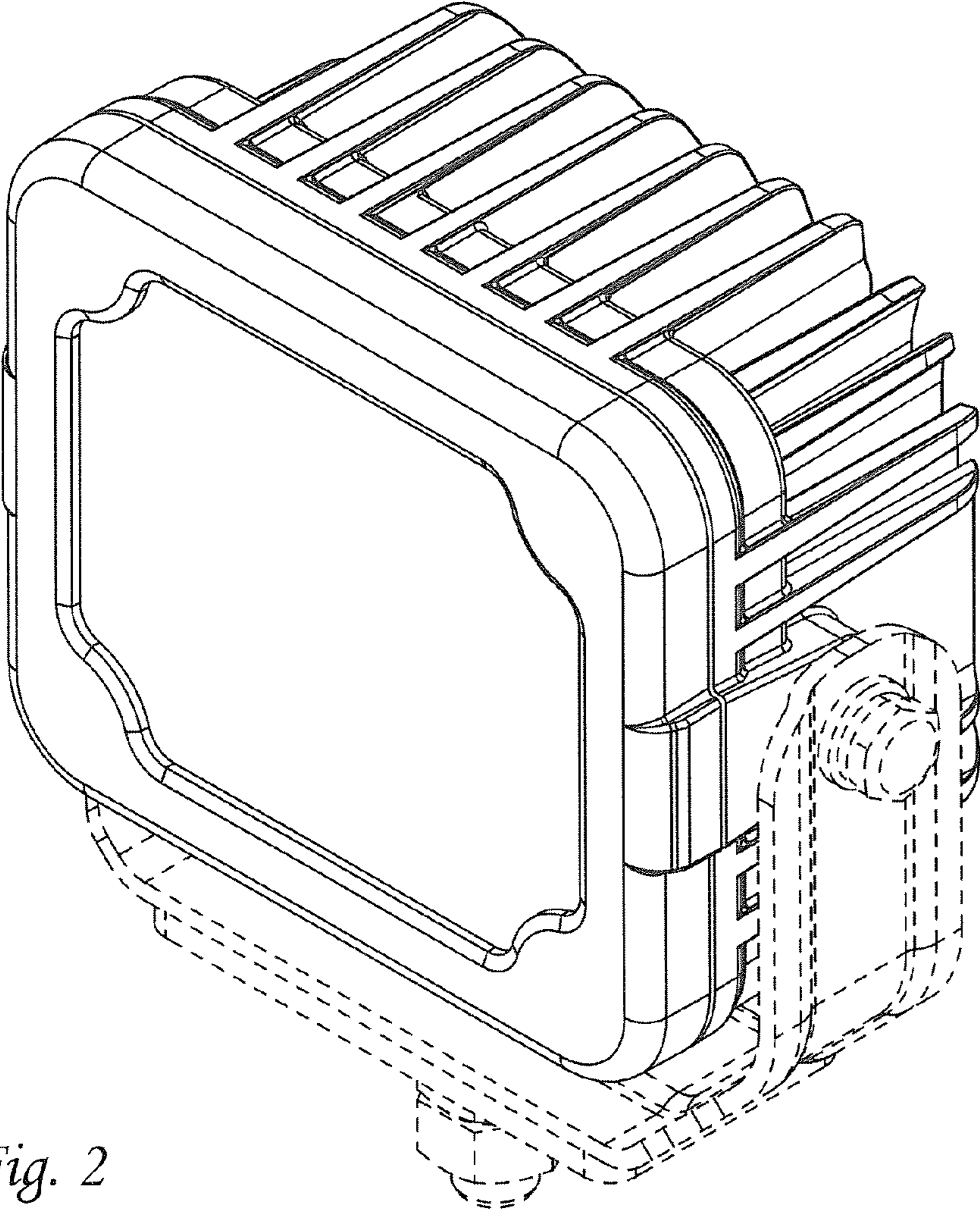


Fig. 2

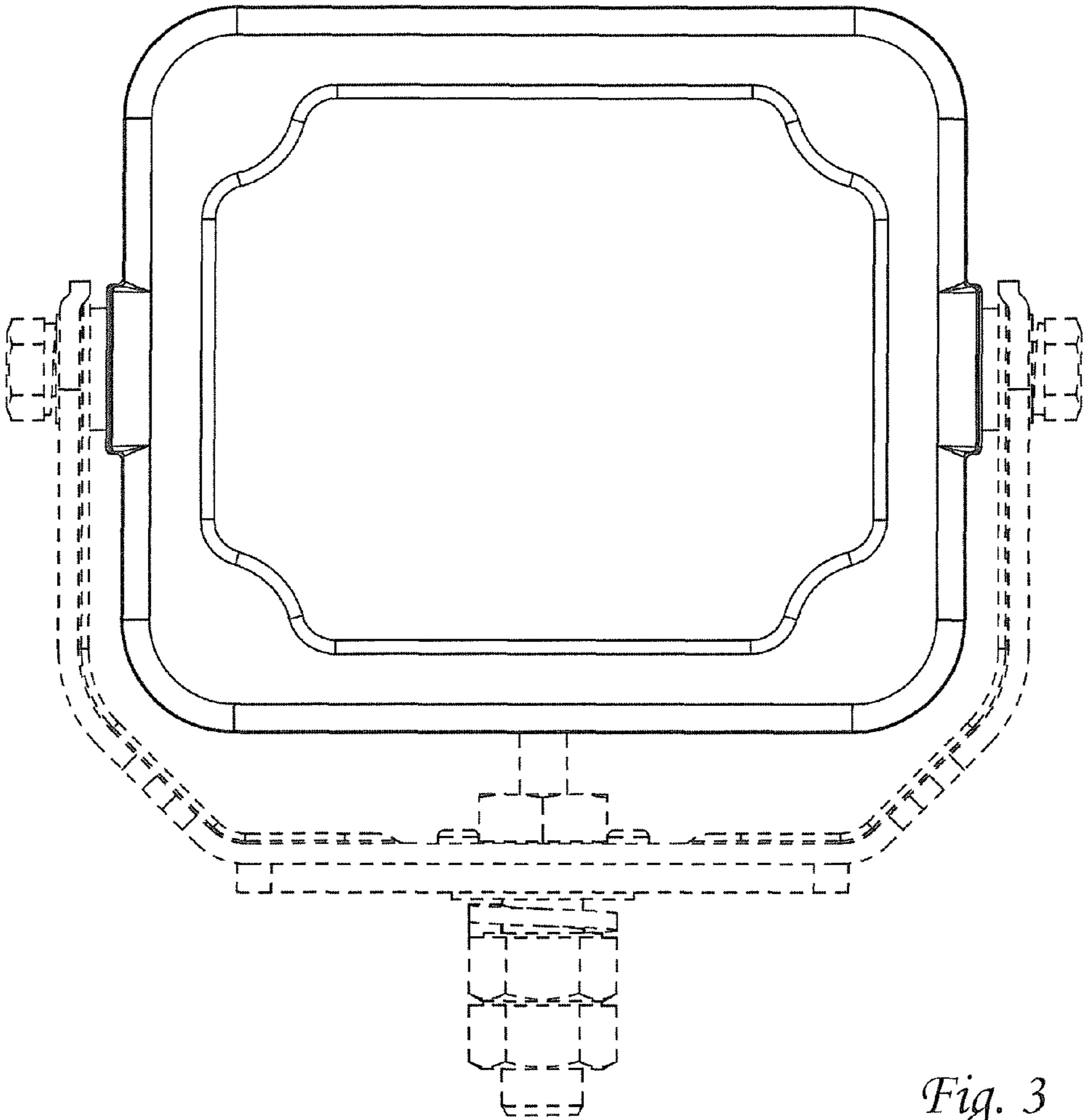


Fig. 3

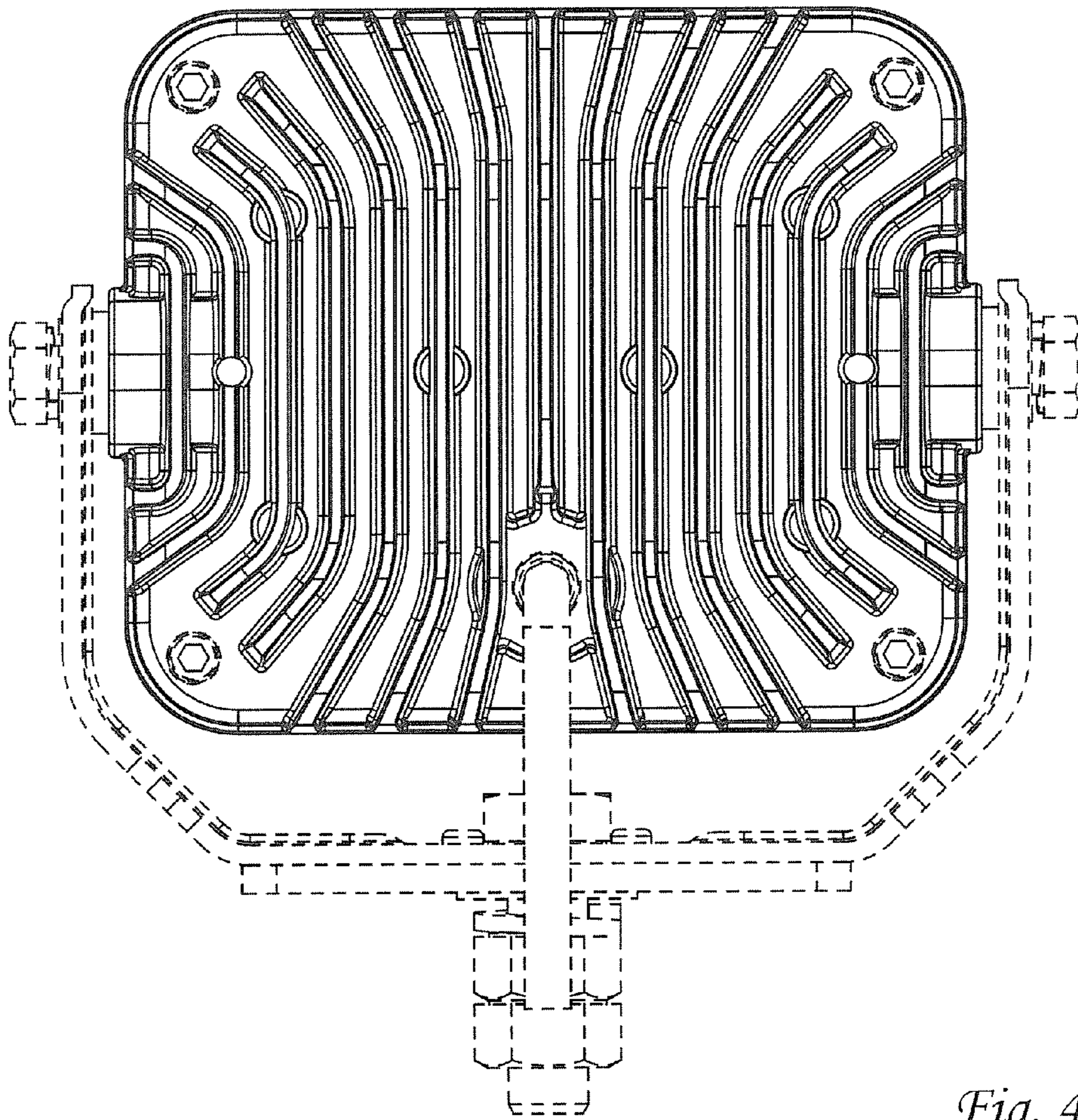


Fig. 4

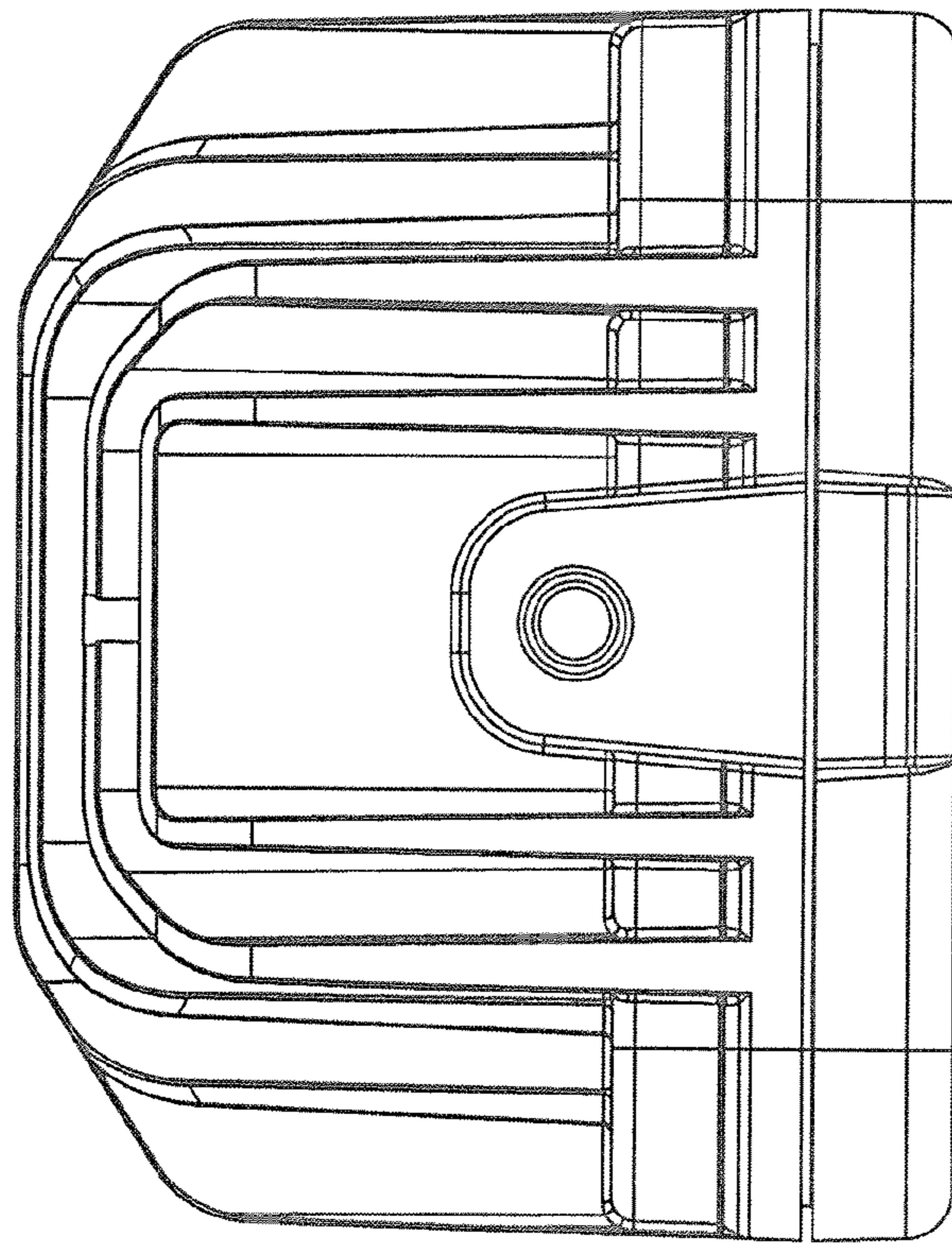


Fig. 5

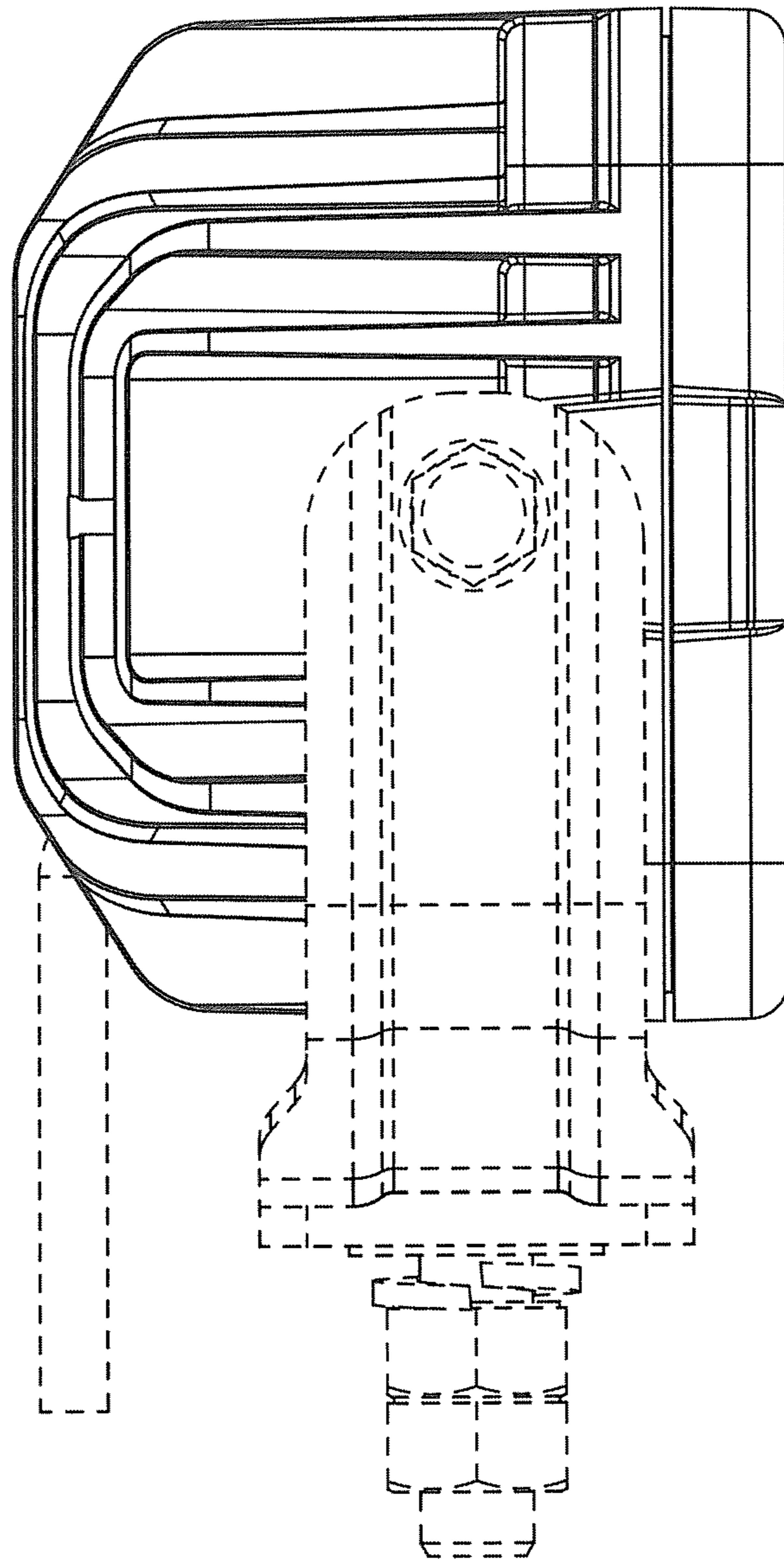


Fig. 6

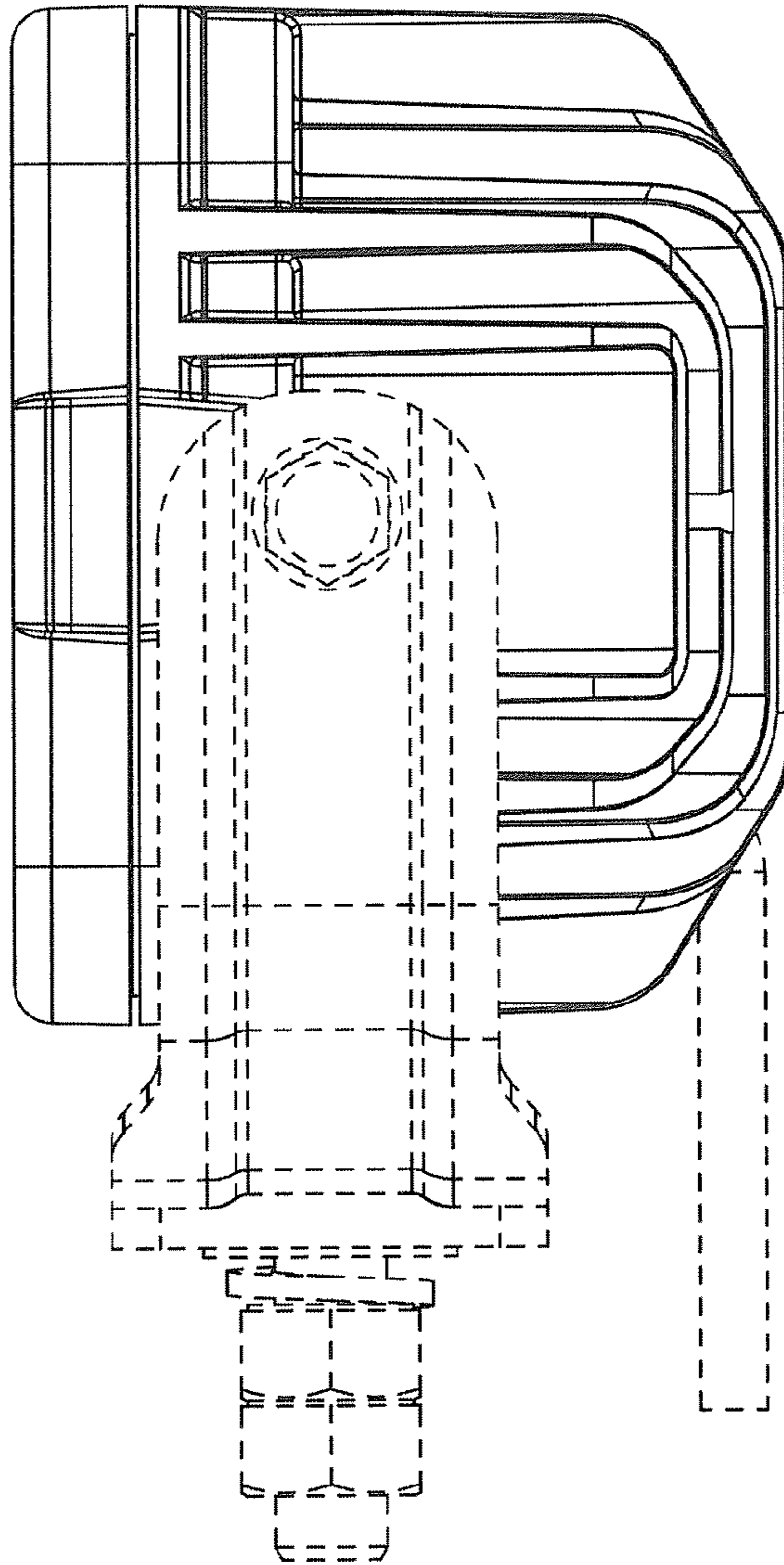


Fig. 7

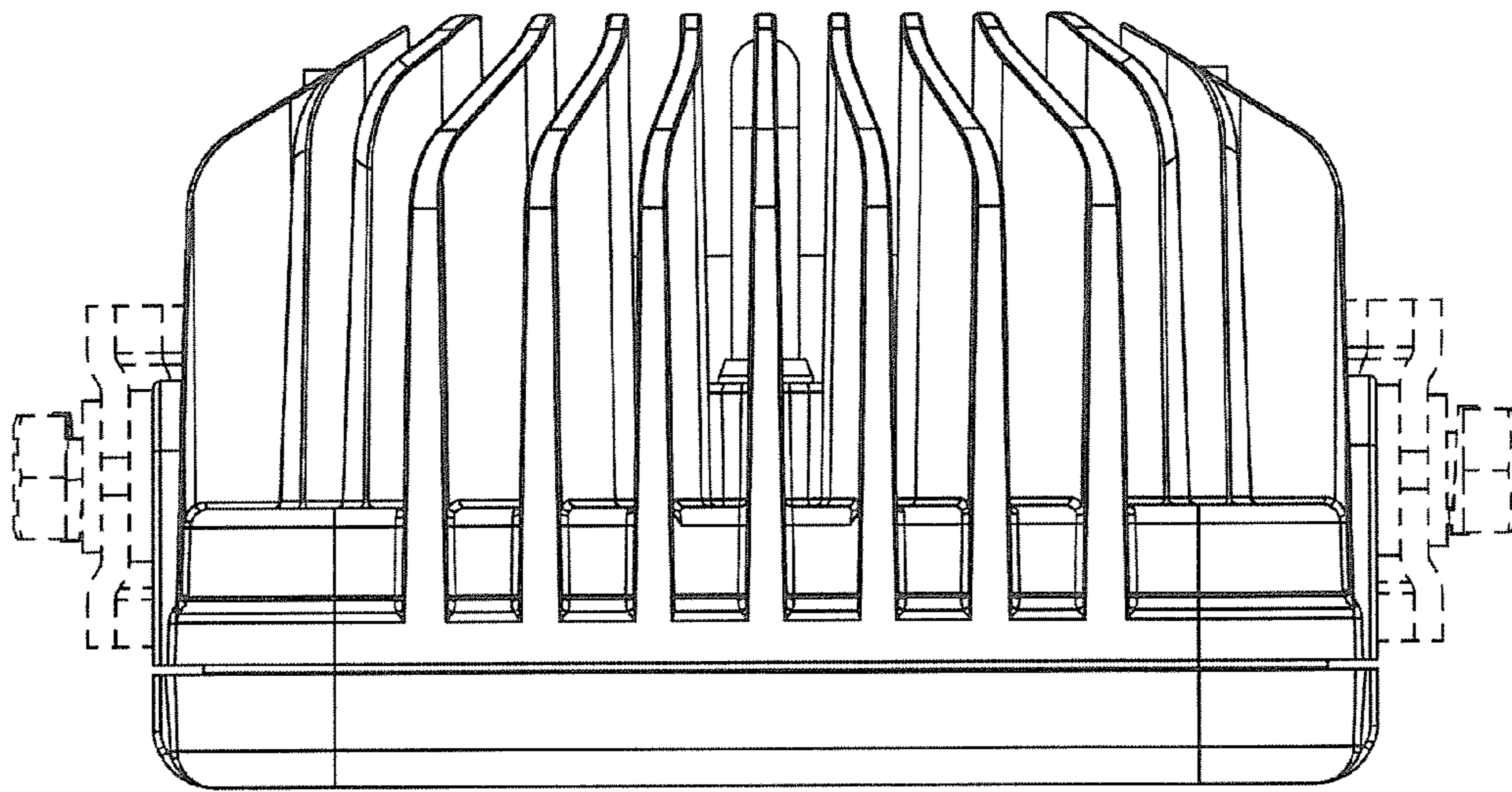


Fig. 8

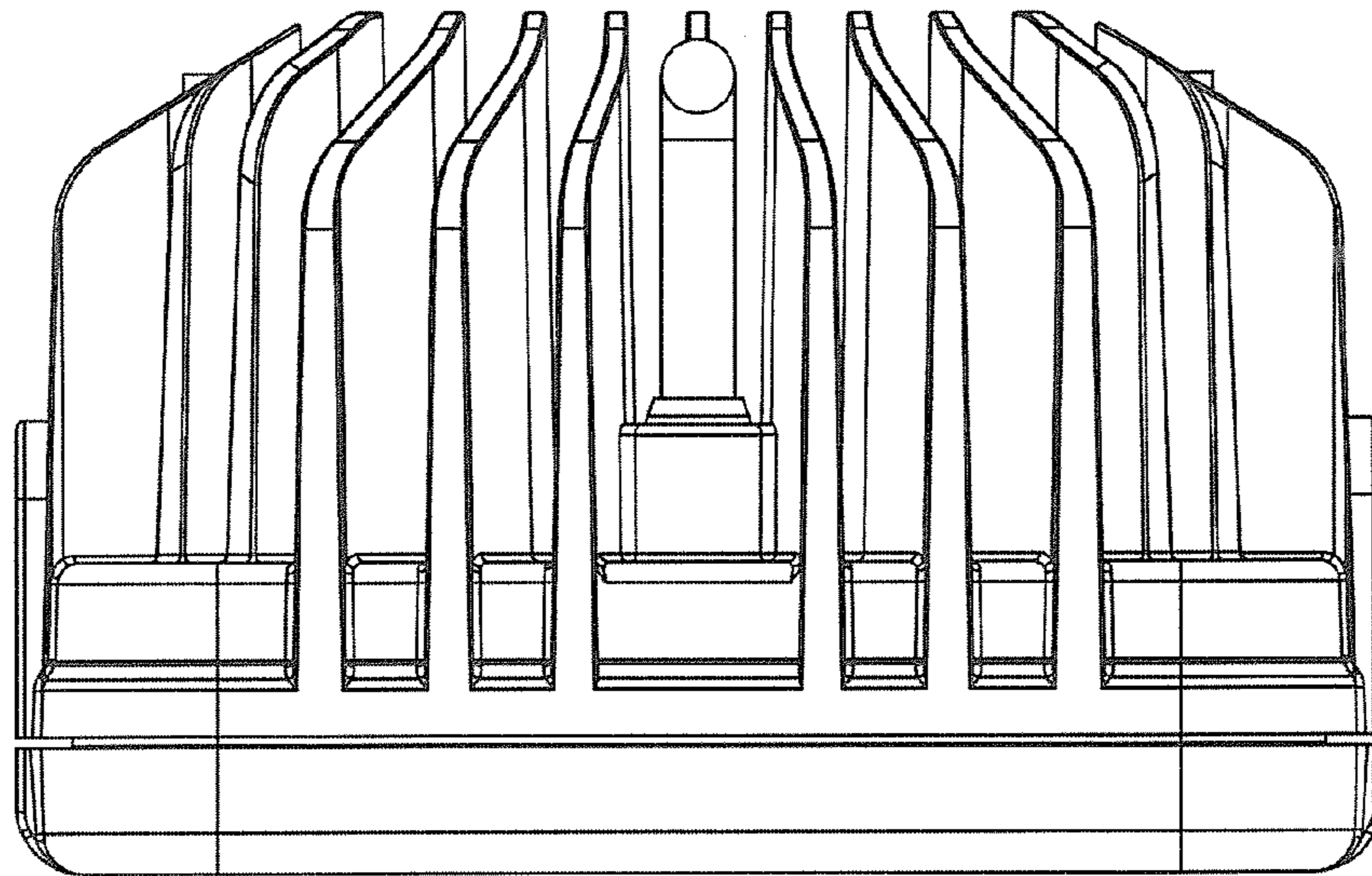


Fig. 9

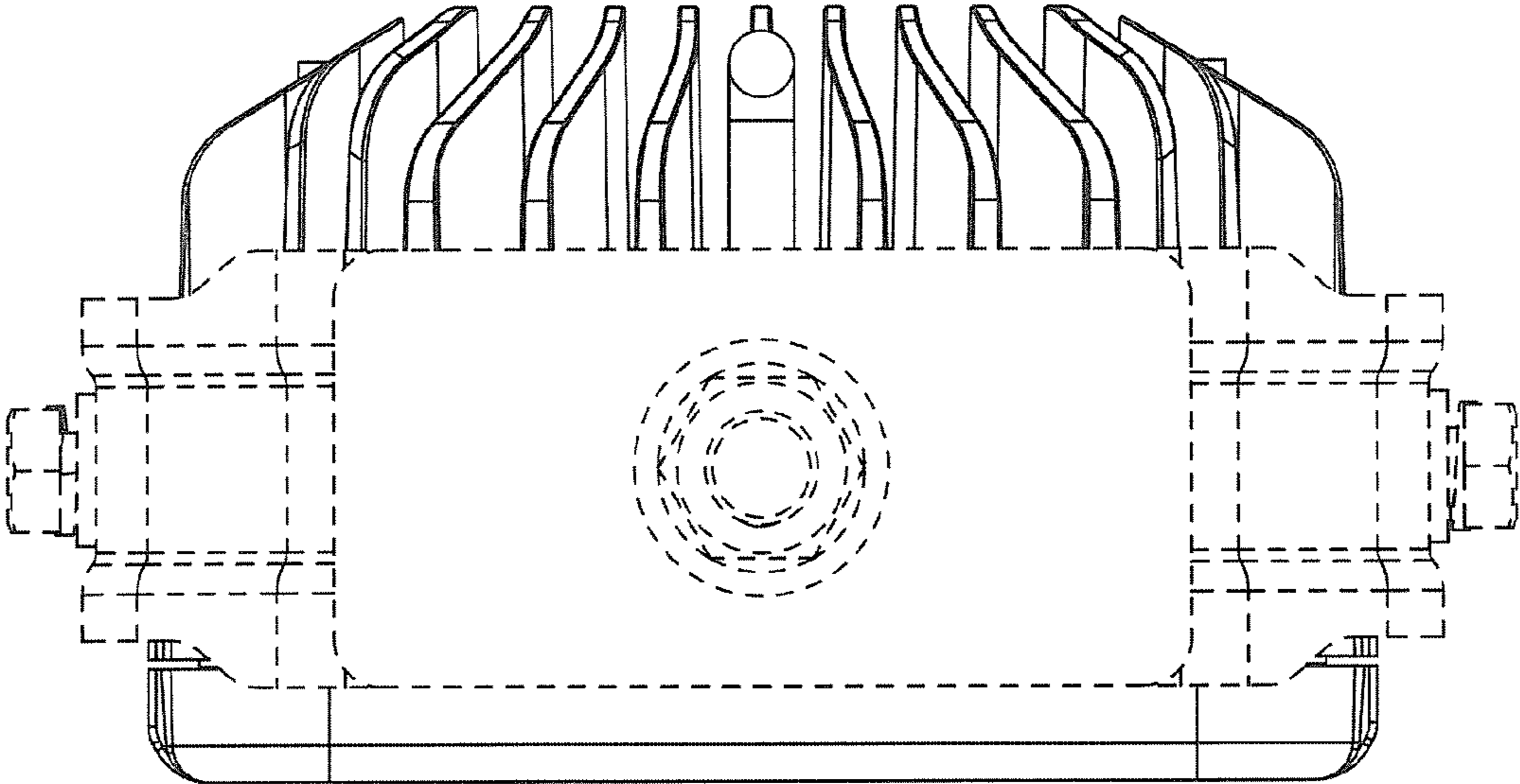


Fig. 10