



US00D697239S

(12) **United States Design Patent**  
**Rupp et al.**

(10) **Patent No.:** **US D697,239 S**  
(45) **Date of Patent:** **\*\* Jan. 7, 2014**

(54) **LAMP**

(56) **References Cited**

(71) Applicants: **Timon Rupp**, Munich (DE); **Shiyong Zhang**, Boxborough, MA (US); **Phil Rioux**, Brentwood, NH (US); **Yichong Zeng**, Chelmsford, MA (US)

U.S. PATENT DOCUMENTS

D532,532 S *	11/2006	Maxik .....	D26/2
D544,110 S *	6/2007	Hooker et al. ....	D26/2
D566,300 S *	4/2008	Lo .....	D26/2
D581,555 S *	11/2008	To et al. ....	D26/2
D584,838 S *	1/2009	To et al. ....	D26/2
D610,722 S *	2/2010	Bi .....	D26/2
D644,758 S	9/2011	Layevsky et al.	
D661,260 S	6/2012	Layevsky et al.	
D662,627 S *	6/2012	Pan .....	D26/2
D667,969 S	9/2012	Rioux et al.	
D687,576 S *	8/2013	Moon .....	D26/2

(72) Inventors: **Timon Rupp**, Munich (DE); **Shiyong Zhang**, Boxborough, MA (US); **Phil Rioux**, Brentwood, NH (US); **Yichong Zeng**, Chelmsford, MA (US)

\* cited by examiner

(73) Assignee: **OSRAM SYLVANIA Inc.**, Danvers, MA (US)

*Primary Examiner* — Marcus Jackson

(\*\*) Term: **14 Years**

(74) *Attorney, Agent, or Firm* — Edward S. Podszus

(21) Appl. No.: **29/452,076**

(57) **CLAIM**

The ornamental design for a lamp, as shown and described.

(22) Filed: **Apr. 11, 2013**

**DESCRIPTION**

(51) **LOC (10) Cl.** ..... **26-04**

FIG. 1 is a perspective view of the design for a lamp as seen from the front, top;

(52) **U.S. Cl.**  
USPC ..... **D26/2**

FIG. 2 is a front elevational view thereof, the rear and side views being similar;

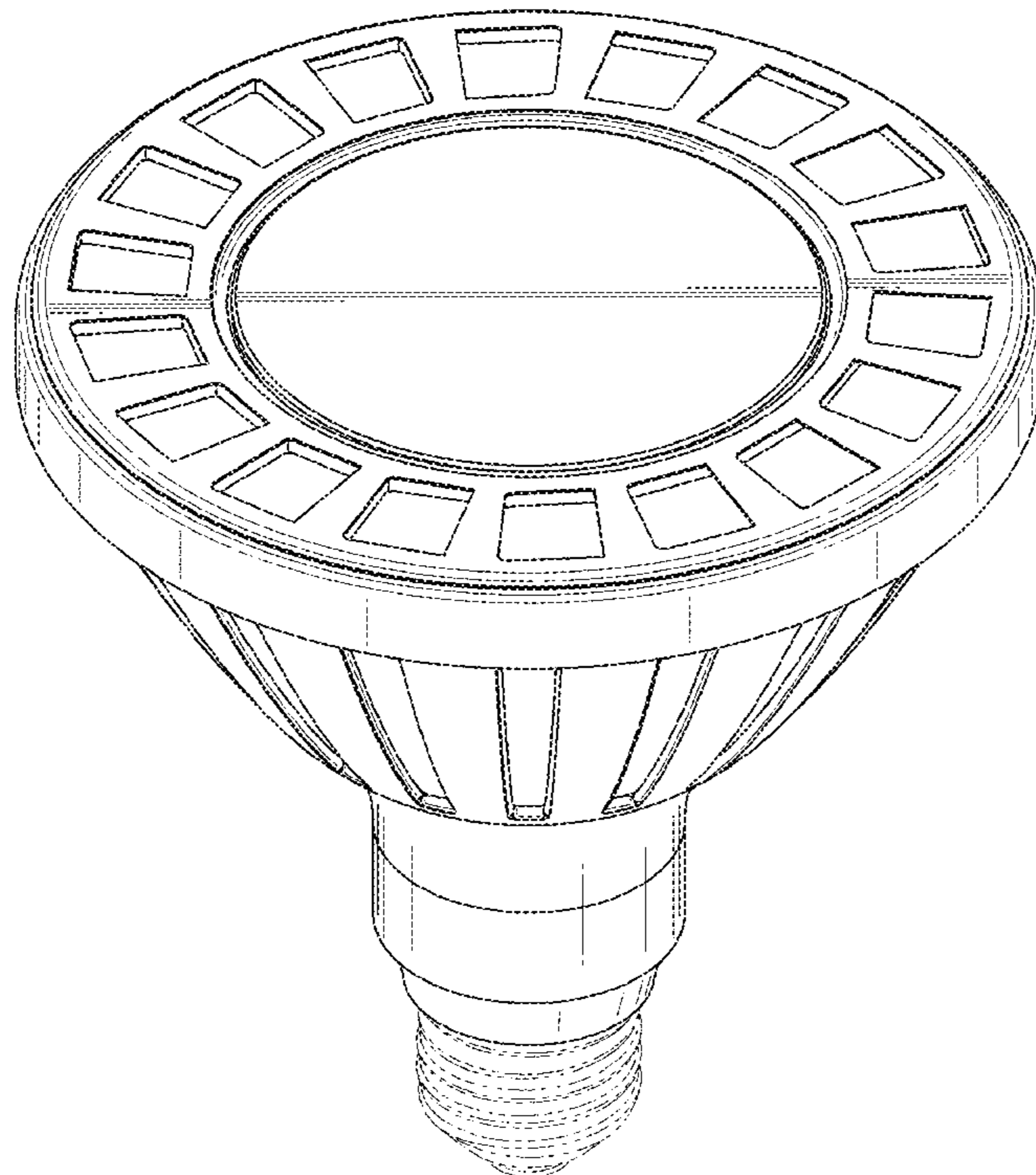
(58) **Field of Classification Search**  
USPC ..... D26/1-4; 313/313, 315, 316, 317, 318,  
313/493; 315/52, 53, 56, 57, 58

FIG. 3 is a top plan view thereof; and,  
FIG. 4 is a bottom plan view thereof.

The broken line disclosure is for environmental purposes only and does not form a part of the claimed design.

See application file for complete search history.

**1 Claim, 4 Drawing Sheets**



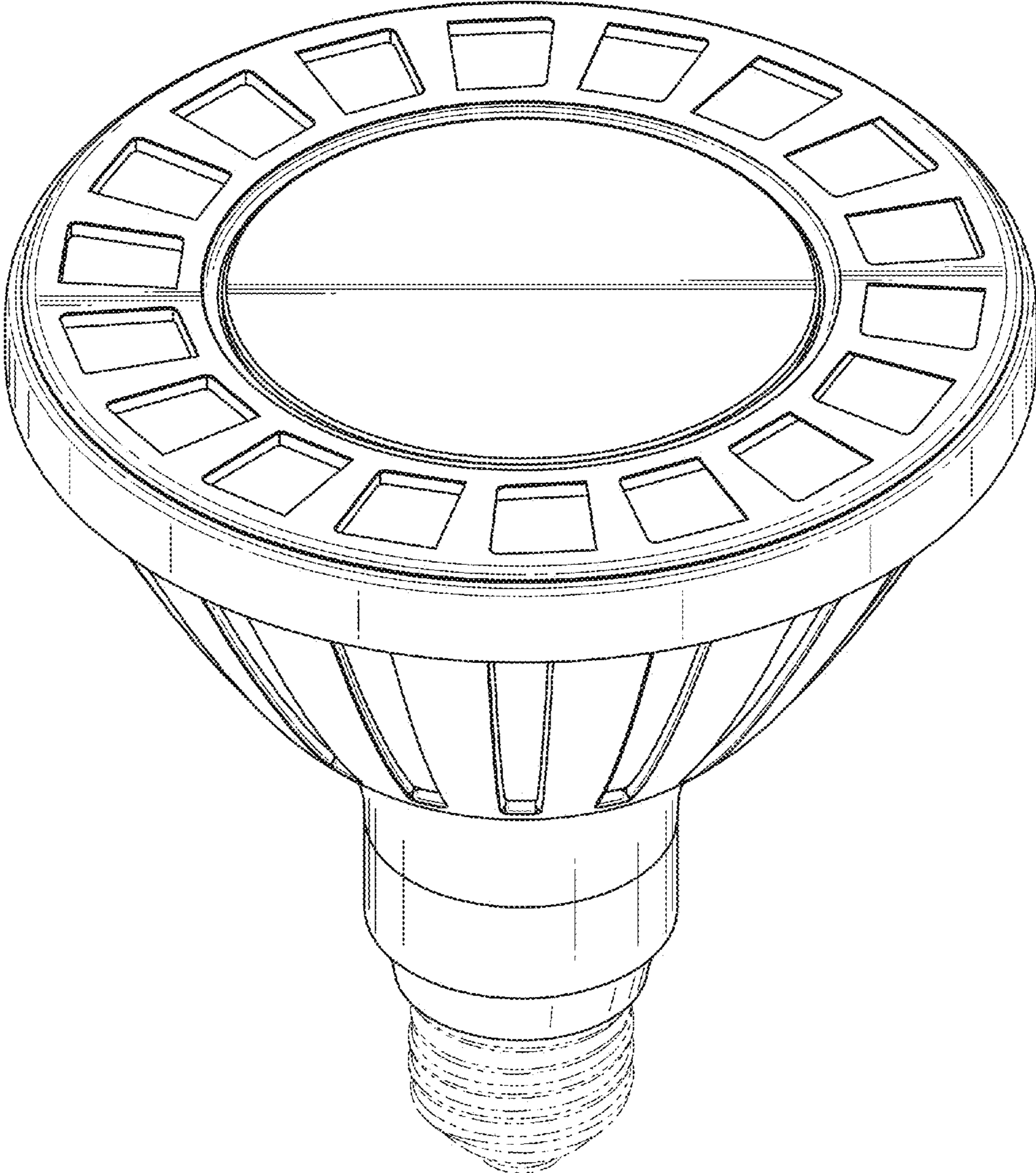


FIG. 1

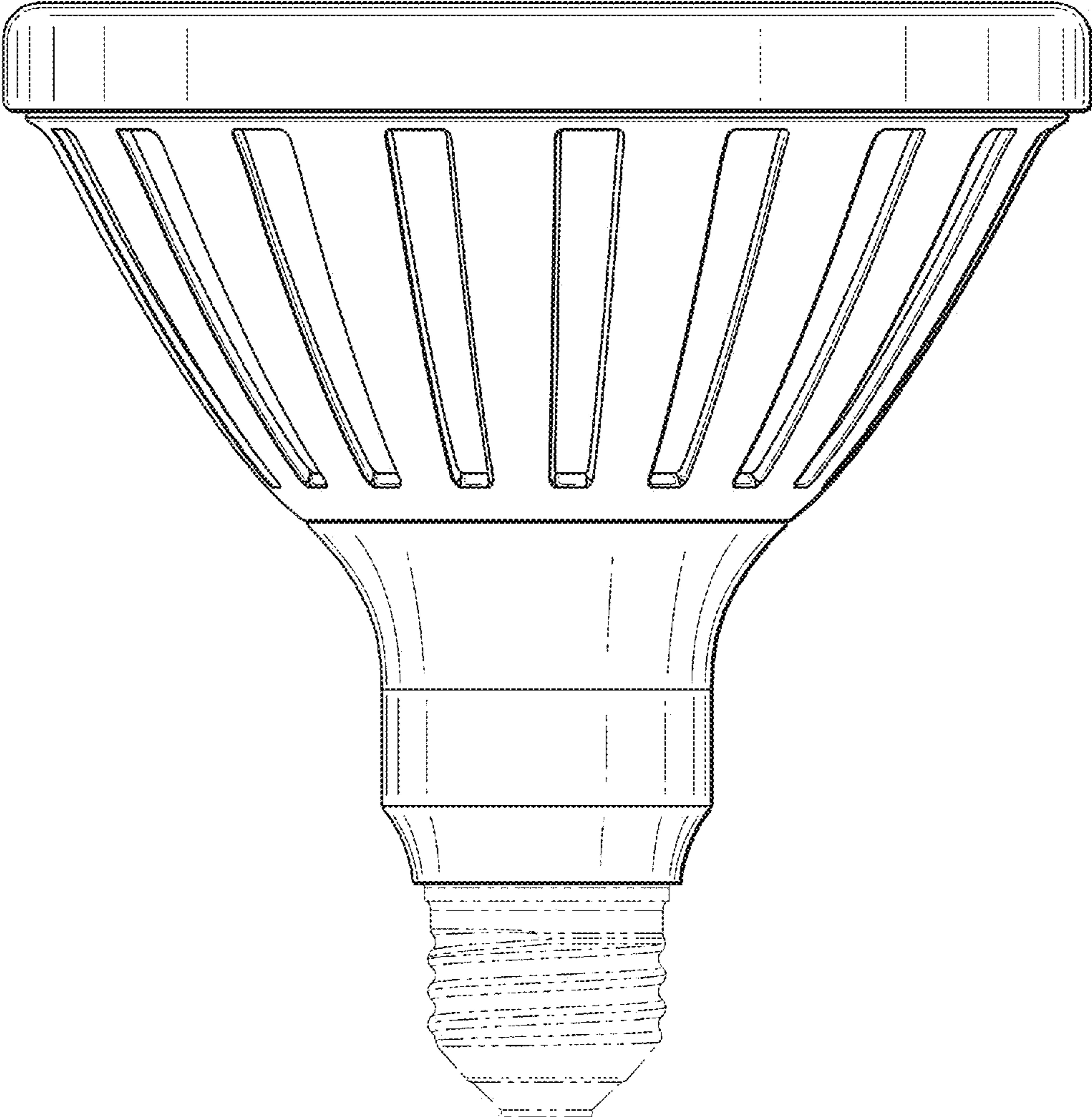


FIG. 2



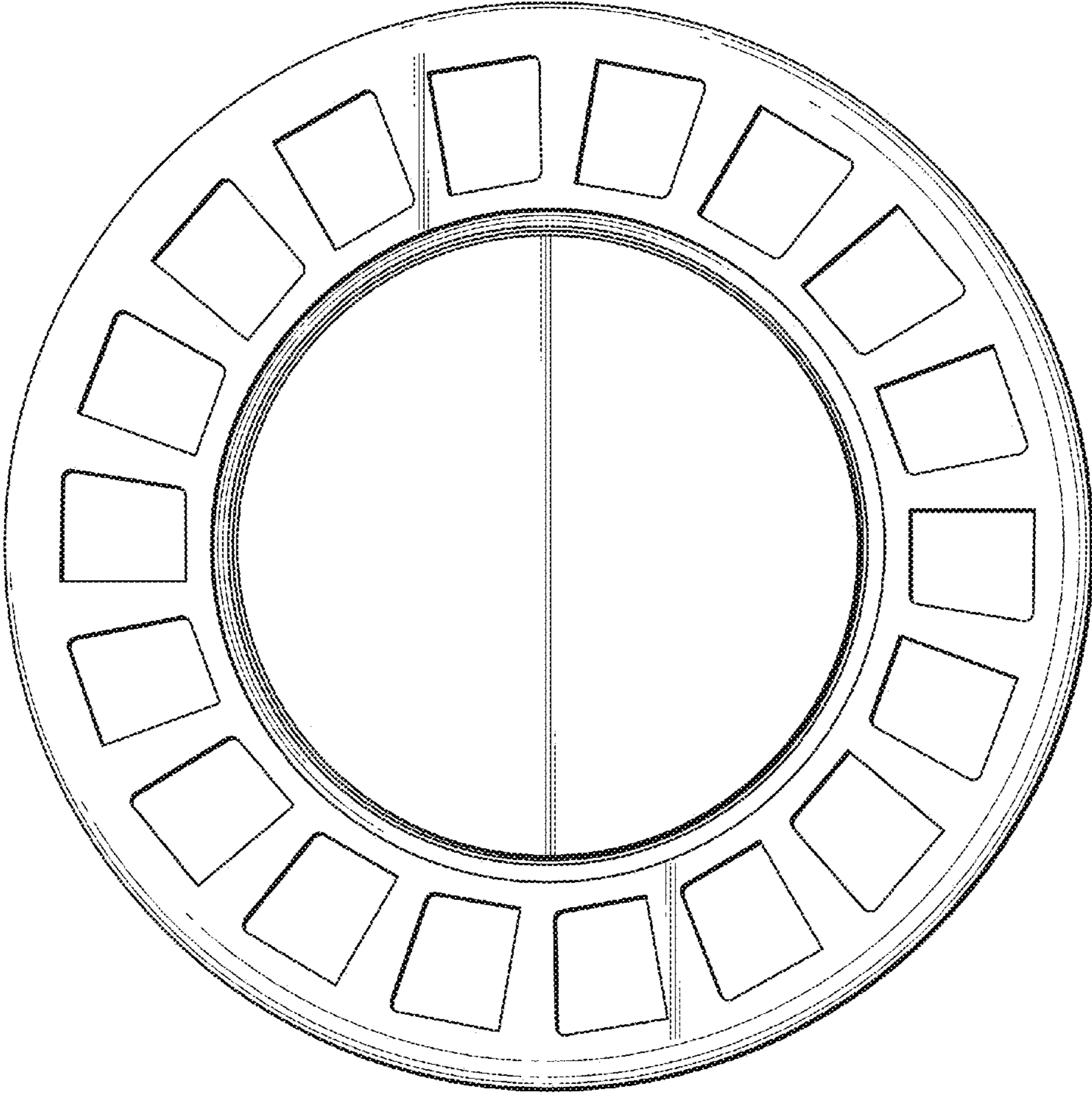


FIG. 3

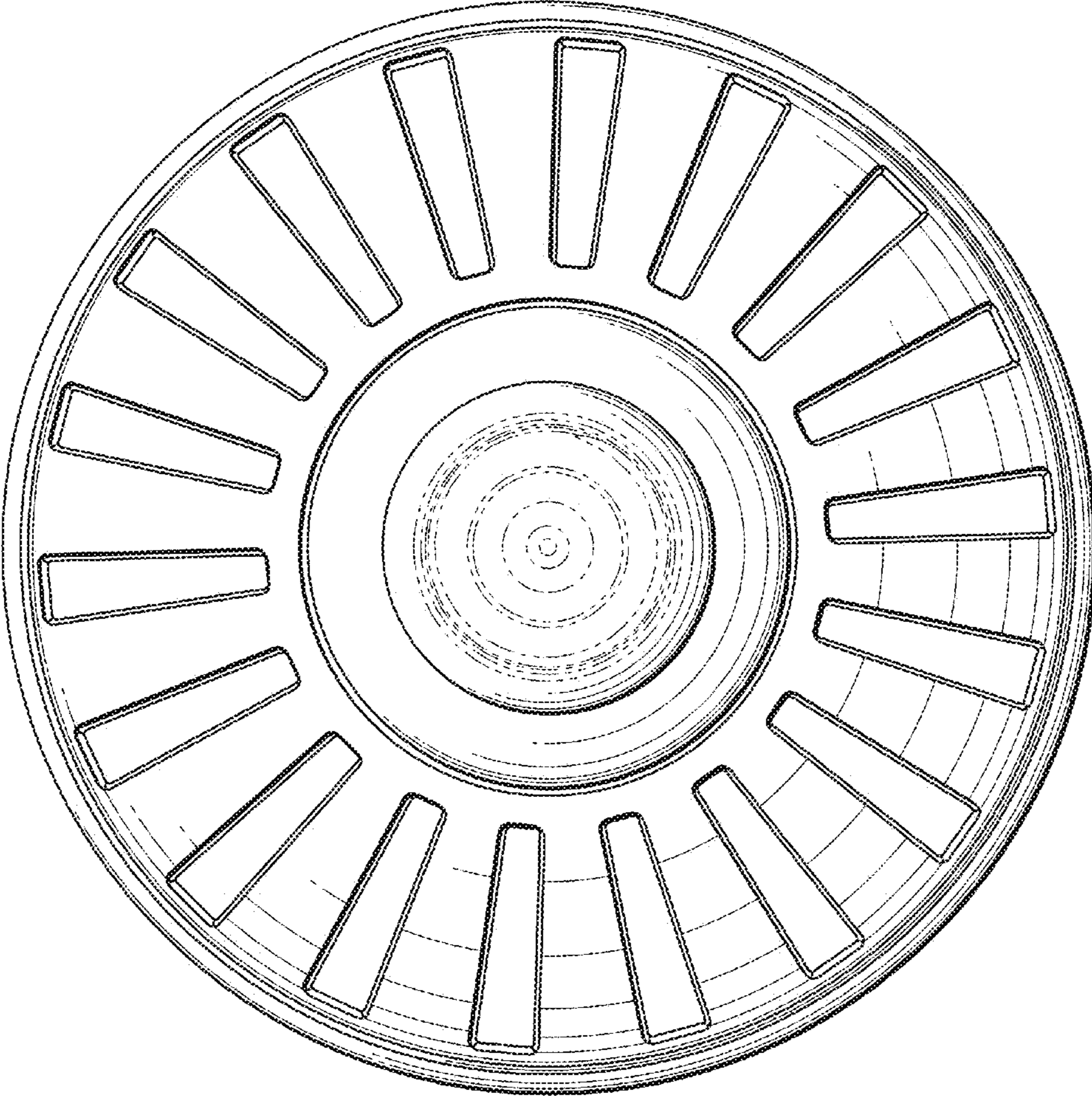


FIG. 4